



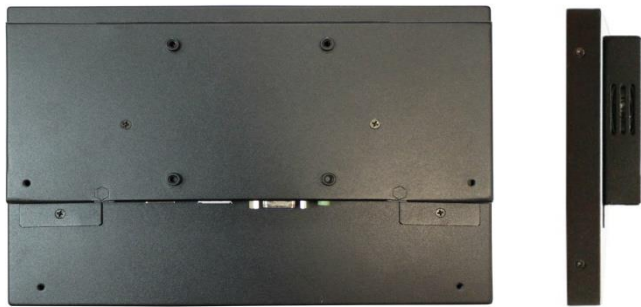
Product Specifications

Customer :	
Model No. :	NTSP101 V3XX

Features :



- ★ 10.1" 16:10 ,1280x800 (WXGA) Resolution
- ★ Capacitive True Flat Multi-Touch
- ★ 7H Hardness Tempered Cover Glass
- ★ Wide Working Temperature (-20~60°C)
- ★ Metal Cabinet with Diverse Combine Options
- ★ Made in Taiwan, 3 Years Warranty
- ★ Designed for all Environments
- ★ AG/AR/AF Film Options
- ★ All Kind of Connectors Option (VGA/DVI/HDMI/DP)



			
BSMI	CE	FCC	RoHS
Compliance			

Records of Revision			
Vision	Modifying	Old Description	New Description
v1801.1	Reformat		

General Specifications

Display Specifications

Full Model No.	NTSP101XX-XXXXXXX-300 *	Pixel Pitch	0.1695x0.1695 mm
Screen Diagonal	10.1 inch	Response Time	25 msec
Display Area	216.96x135.6 mm	Backlight Unit	LED (white LED)
Resolution	1280x800	Viewing Angle (L/R,U/D)	170° / 170° (Typ.)
Brightness	300 nits	Backlight Life Time	15000 HRS
Contrast Ratio	1300:1	Operating Temp.	-20~60°C
Display Ratio	16:10	Surface Treatment	Anti-Reflection ≤ 1.5% / Anti-Static
Support Color	262K Colors (RGB-6bits)		

* Depends on specifications and options.

Display Input Options

Item	Connectors	Model No.
Standard	VGA+DVI	NTSP101XX-XXXXX1X-300
Option1	VGA+DVI+HDMI	NTSP101XX-XXXXX7X-300
Option2	VGA+HDMI+DP	NTSP101XX-XXXXX3X-300

Power Input Options

Power Input	Connector	Model No.
DC 12V (Standard)	DC-12V, DC Jack Φ2.1mm	NTSP101NP-XXXXXX1-300
DC 12V (Lockable)	DC-12V, DC Jack Φ2.1mm Lockable *	NTSP101NP-XXXXXX2-300



* DC-12V Lockable Connector (option)

Physical Specifications

Dimension (Max)	254.4x175x47.8 mm	Net Weight	≤ 1.85 KG
Wall Mount Hole	VESA 75x75 mm	Gross Weight	≤ 3.23 KG

Cabinet Options

Item	Description
Standard	Galvanized steel (SECC)
Option	Stainless Steel
Option	Aluminum

Audio Input

Item	Description	Connector
Audio Input	Stereo	TRS connector 3.5mm
Speaker	2W x2	



Audio input



Speakers

Touch Specifications

Non-touch Model

Full Model No.	NTSP101N _Q -XXXXXXX-300	Tempered Glass Thickness	2.0±0.2mm
		Glass Hardness	≥7H

PCAP Touch Model

Full Model No.	NTSP101N _P -XXXXXXX-300	Transparency	≥87%
Touch Screen	Projected Capacitive	Accuracy	99.00%
Allowed touch points	10 points	Touch Screen Thickness	2.2±0.2mm
Interface	USB	Hardness	≥7H



* True flat / Zero Bezel

Surface Film Options

AG	Anti-Glare
AFP	Anti-Fouling/FingerPrint
AR	Anti-Reflective
AS	Anti-Spy

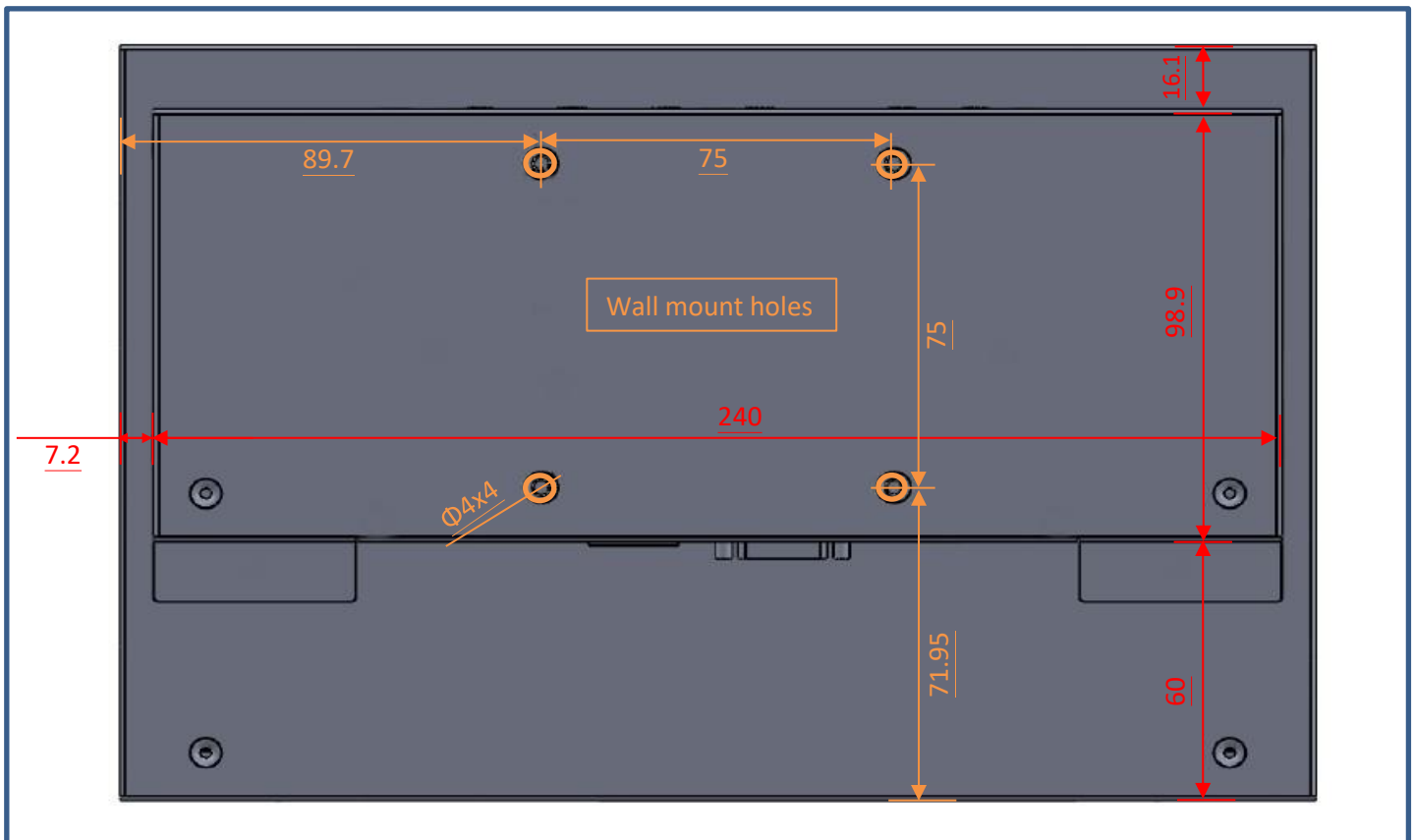
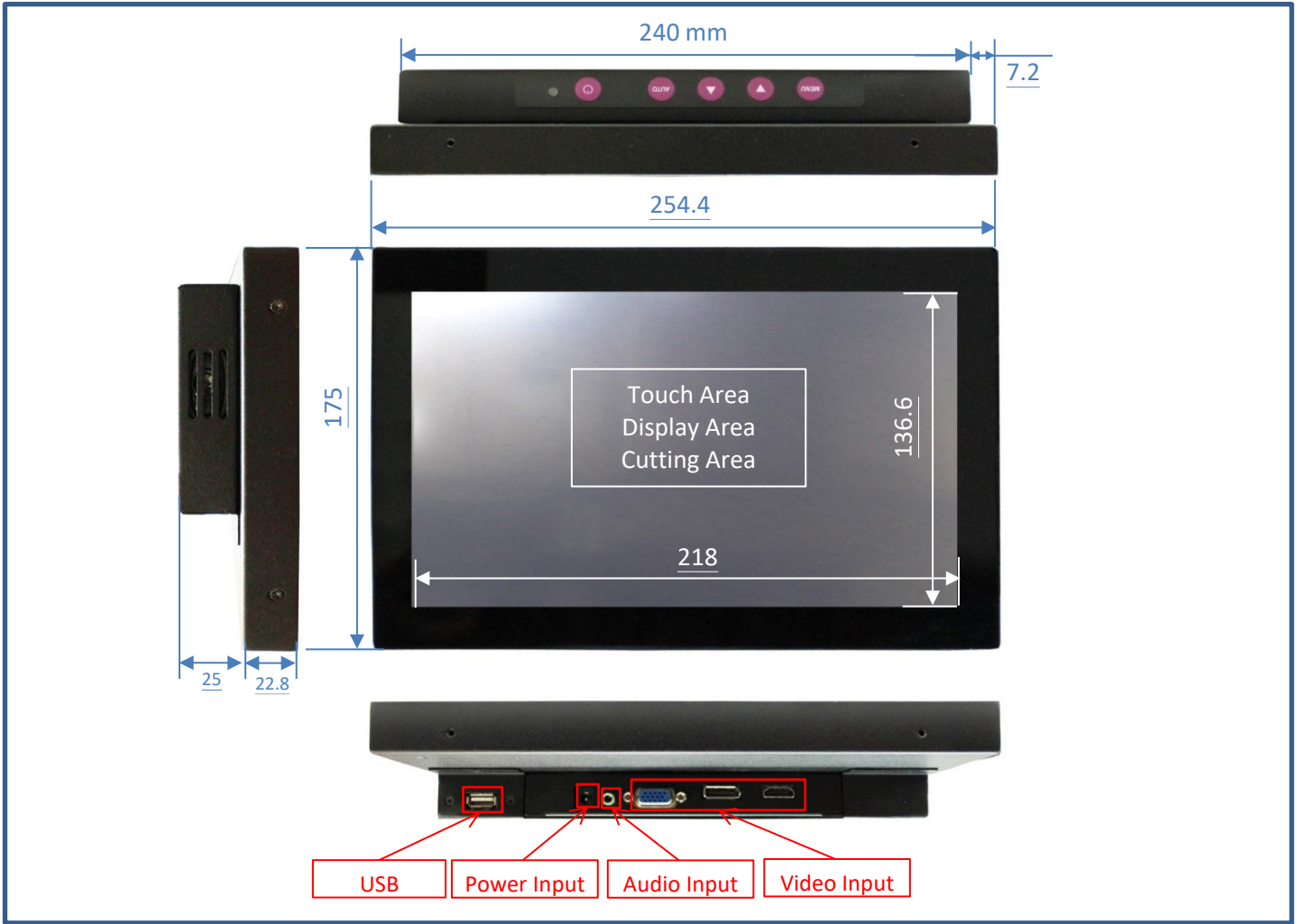


Accessories

Item	Description	Quantity
VGA Cable	D-Sub 15Pin Male to Male , 1.2 Meter	1
Audio cable	3.5mm Headset Jack , Male to Male , 1.2 Meter	1
AC-DC Adapter	4.16A/12V with CE/FCC/CCC/UL/RoHS/PSE/JET Certification	1
Power cord	*(depends on Country)	1
USB Cable	A type , Male to Male , 1.5 Meter *(only for touch monitor)	1

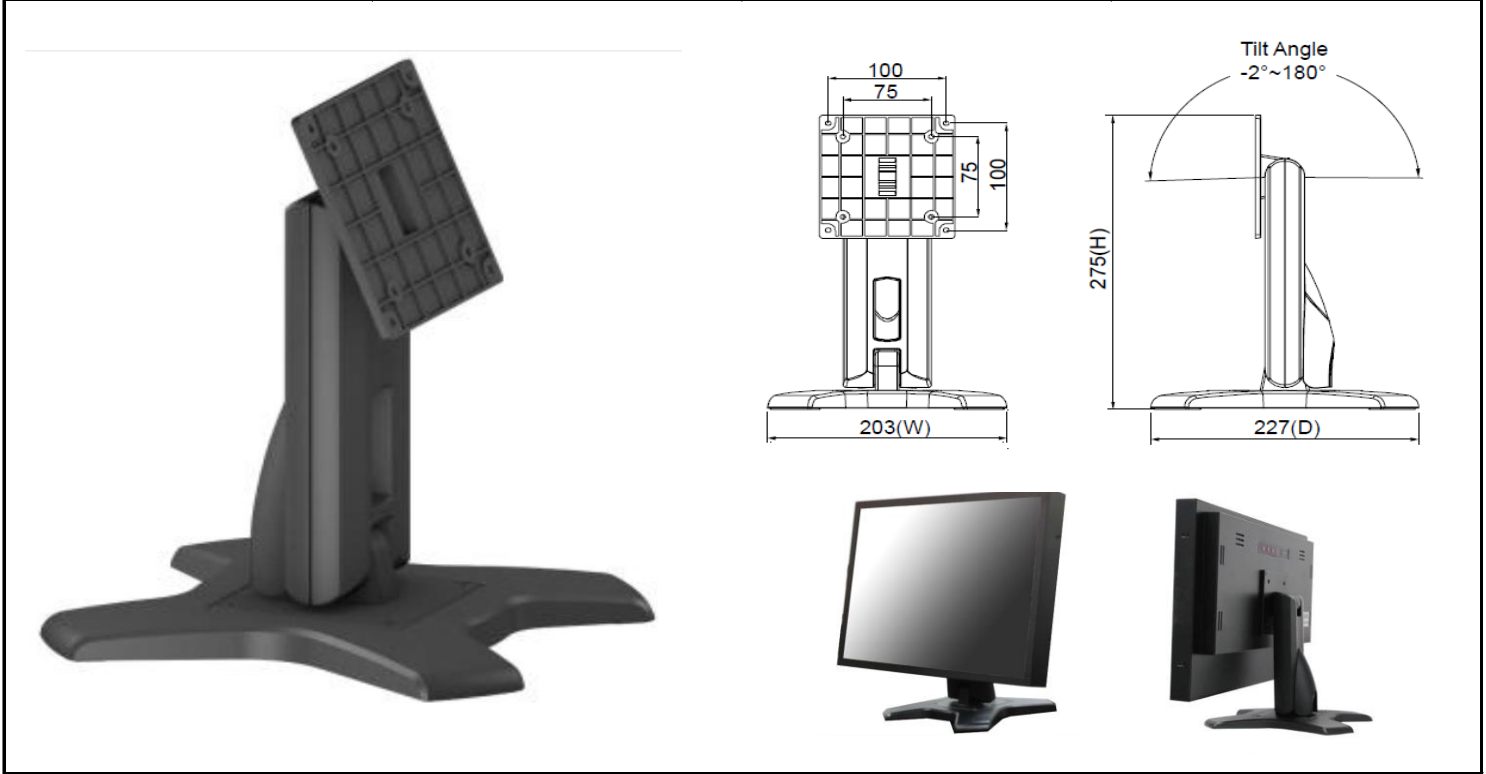


Outward and Dimensions

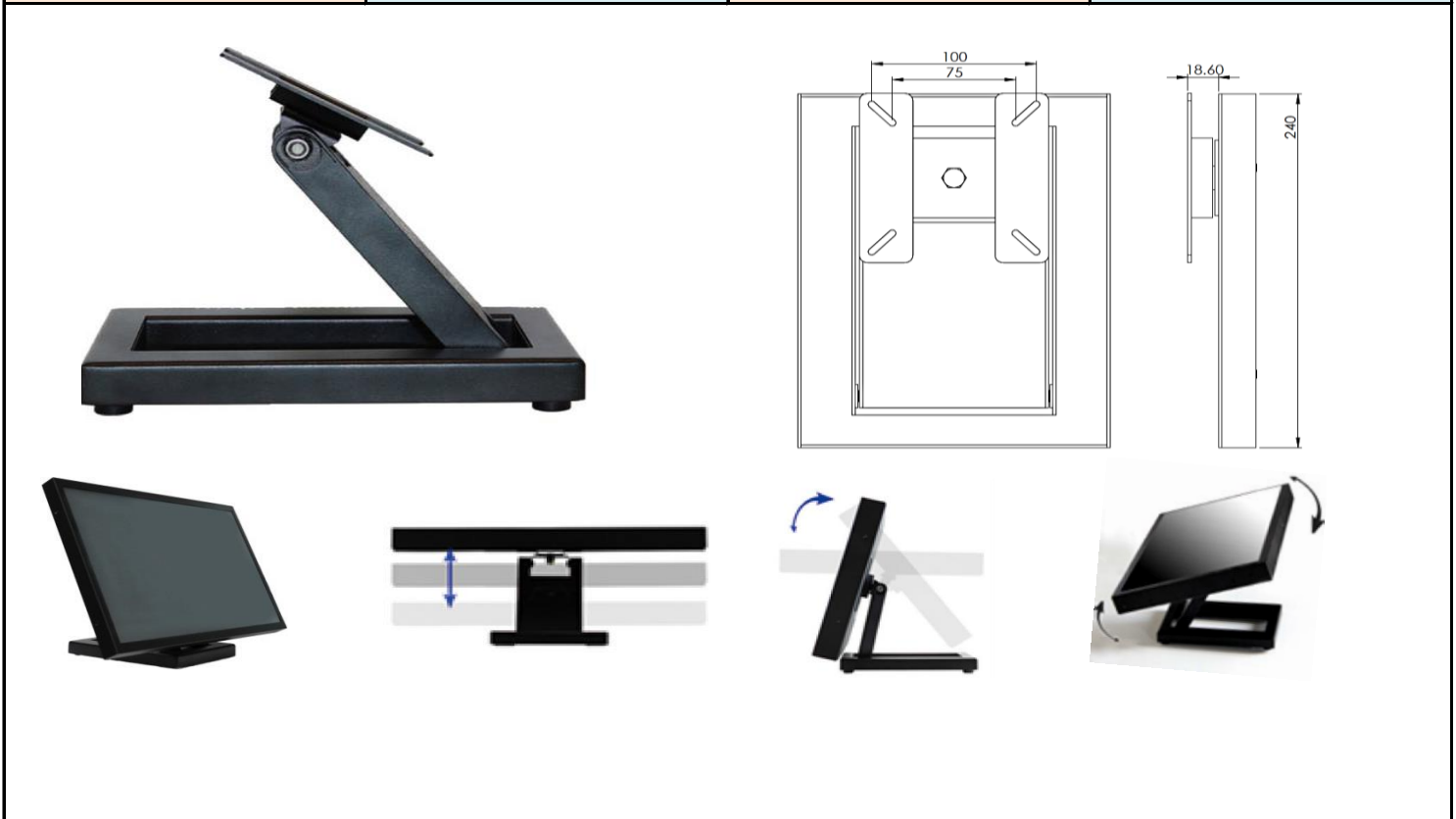


Optional Accessories (Desktop Stand)

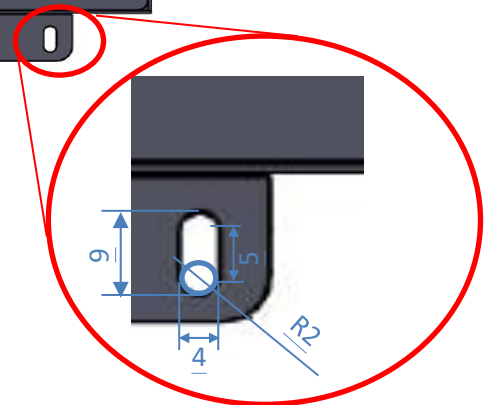
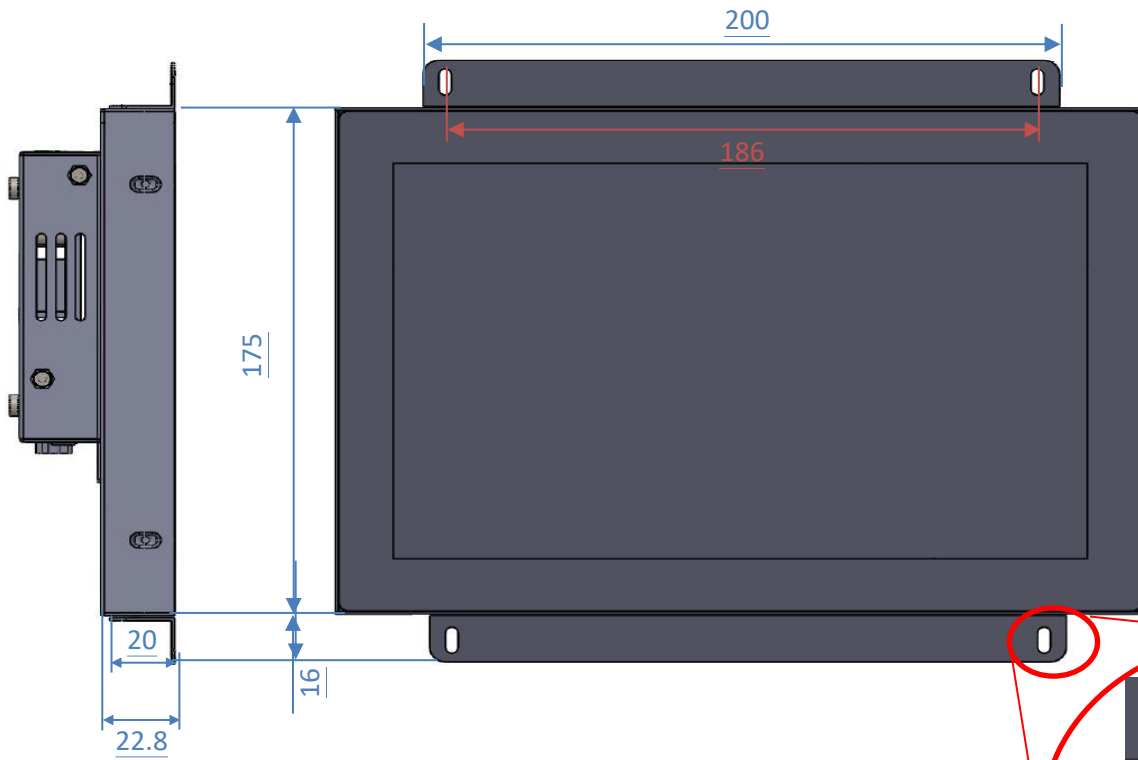
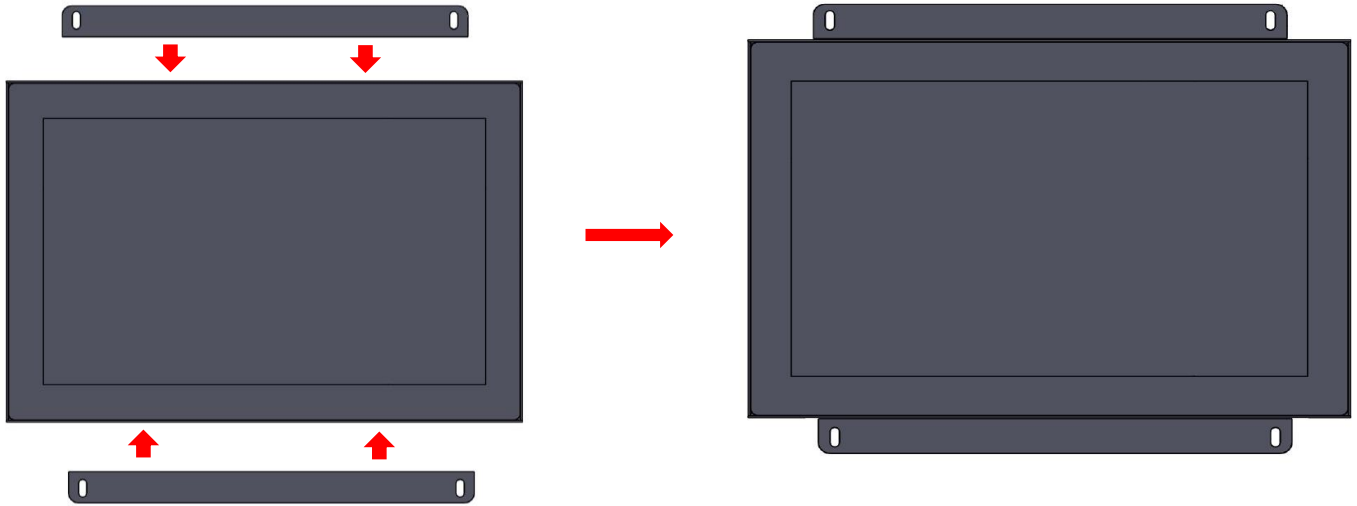
Item	B Stand	Part No.	DST-1B001
Mounting Pattern	100x100 / 75x75 mm	Dimension (WxHxD)	203x275x227 mm
Material	Steel/Plastic/Aluminum	Net Weight	1.8 KG
Tilt(Hinge)	-2° ~ +180°	Support Max. Weight	15KG



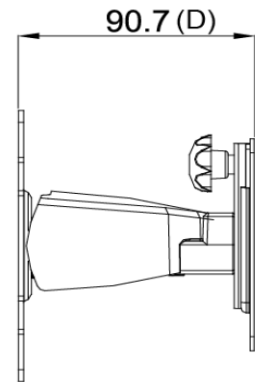
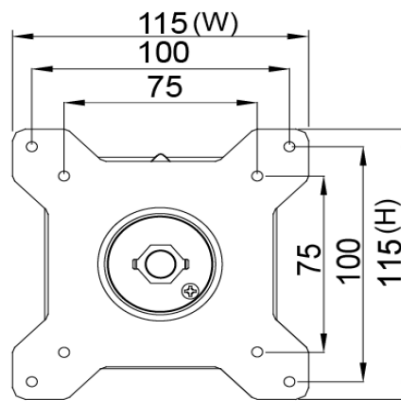
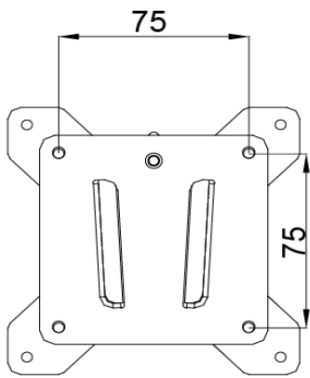
Item	Z Stand	Part No.	DST-0BZ02
Mounting Pattern	100x100 / 75x75 mm	Dimension (WxHxD)	240x190x41.6 mm
Material	SECC	Net Weight	2.6 KG
Tilt(Hinge)	-180° ~ +180°	Support Max. Weight	15 KG



Optional Accessories (Open-frame Brackets)



Optional Accessories (Wall Mount Bracket)



Packing Information



Net Weight	≤1.85 KG
Gross Weight	≤3.23 KG