



Product Specifications





Customer :	
Model No. :	NTM156



Features :

- ★ 15.6" 1366x768 (HD 16:9) Resolution
- ★ Resistive/SCAP/PCAP Touch Options
- ★ Metal Cabinet with Diverse Installing Options
- ★ Made in Taiwan, 3 Years Warranty
- ★ Designed for all Environments
- ★ High Brightness Options
- ★ Anti-Glare/Reflection/Fingerprint/SPY... Options
- ★ All Kind of Connector Options (VGA/DVI/HDMI/DP)
- ★ RS232 remote or remote control Options



			
BSMI	CE	FCC	RoHS
Compliance			

Records of Revision			
Vision	Modifying	Old Description	New Description
v1709.1	Revision		

General Specifications

Display Specifications

Full Model No.	NTM156XXXXXX *	Pixel Pitch	0.252x0.252 mm
Screen Diagonal	15.6 inch	Response Time	10 msec
Display Area	344.232x193.536 mm	Backlight Unit	LED (white LED)
Resolution	1366x768 (HD)	Viewing Angle (L/R,U/D)	160° / 160° (TN)
Brightness	300 nits (options)	Backlight Life Time	50000 HRS
Contrast Ratio	500:1	Operating Temp.	0~60°C
Display Ratio	16:9	Surface Treatment	Anti-glare, Hardness 3H
Support Color	16.7M Color		

* Depends on specifications and options.

Brightness Options

Item	Brightness	Model No.
Standard	300 nits	NTM156XXXXNXX
Enhanced *	1000 nits	NTM156XXXXAXX
Enhanced *	1500 nits	NTM156XXXXFXX

* For outdoor application.

Display Input Options

Item	Connectors	Model No.
Standard	VGA+DVI	NTM156XXXXXD
Option	VGA+DVI+HDMI	NTM156XXXXX7
Option	VGA+HDMI+DP	NTM156XXXXX3

Power Input Options

Item	Description	Connector
Standard	DC-12V, with AC/DC Adapter 100~240V	DC Jack Φ2.1mm
Option	DC-12V, with AC/DC Adapter 100~240V	DC Jack Φ2.1mm (Lockable) *
Option	DC-24V	DC Jack Φ2.1mm
Option	DC-9~36V	DC Jack Φ2.1mm



* Lockable Connector

Audio Input

Item	Description	Connector
Audio Input	Stereo	TRS connector 3.5mm
Speaker	2W x2	



Audio input



Speakers/Fan



Physical Specifications

Dimension (Max)	369x221x46 mm	Cabinet Material	Galvanized steel (SECC)
Speaker	2W x2	Net Weight	≦ 3.18 KG
Wall Mount Hole	75x75	Gross Weight	≦ 5.26 KG

Fan Options

Item	Description
Fanless	Fanless
Built-in (option)*	7 Blades/1.2W/4000r.p.m/Max.10.96CFM/28.3dB

* Fan use the space of speakers, fan and speakers can't both exist in one model

Cabinet Options

Item	Description
Standard	Galvanized steel (SECC)
Option	Stainless Steel
Option	Aluminum

Display Control Options

Item	Description
OSD	Physical button (standard)
Software	Software Control via RS232 interface.



OSD Button



Software Control via RS232 interface.

Surface Film Options

AG	Anti-Glare	AR	Anti-Reflective
AFP	Anti-Fouling/Fingerprint	AS	Anti-Spy



Supported OS

OS	Version
Windows	Win10, Win8, Win7, Vista, XP, Embedded XP, Win2000, CE.NET 4.x ↑
Linux	Kernel 2.6.24 ↑
Android	3.0 ↑
Mac	10.5.x ↑ (Intel CPU)

Touch Specifications

Non-touch Model

Full Model No.	NTM1560XXXXX		
----------------	--------------	--	--

Resistive Touch Model

Full Model No.	NTM1565XXXXX	Transparency	80% ±5%
Touch Screen	5 Wire Resistive Touch	Accuracy	98.50%
Allowed touch points	1 point	Surface Treatment	Anti-glare <15%
Interface	USB/RS232	Hardness	≥3H

Projected Capacitive Touch Model

Full Model No.	NTM156YXXXXX	Transparency	≥90% ±3%
Touch Screen	Projected Capacitive	Accuracy	99.00%
Allowed touch points	10 points	Surface Treatment	Tempered
Interface	USB	Hardness	≥7H

Surface Capacitive Touch Model

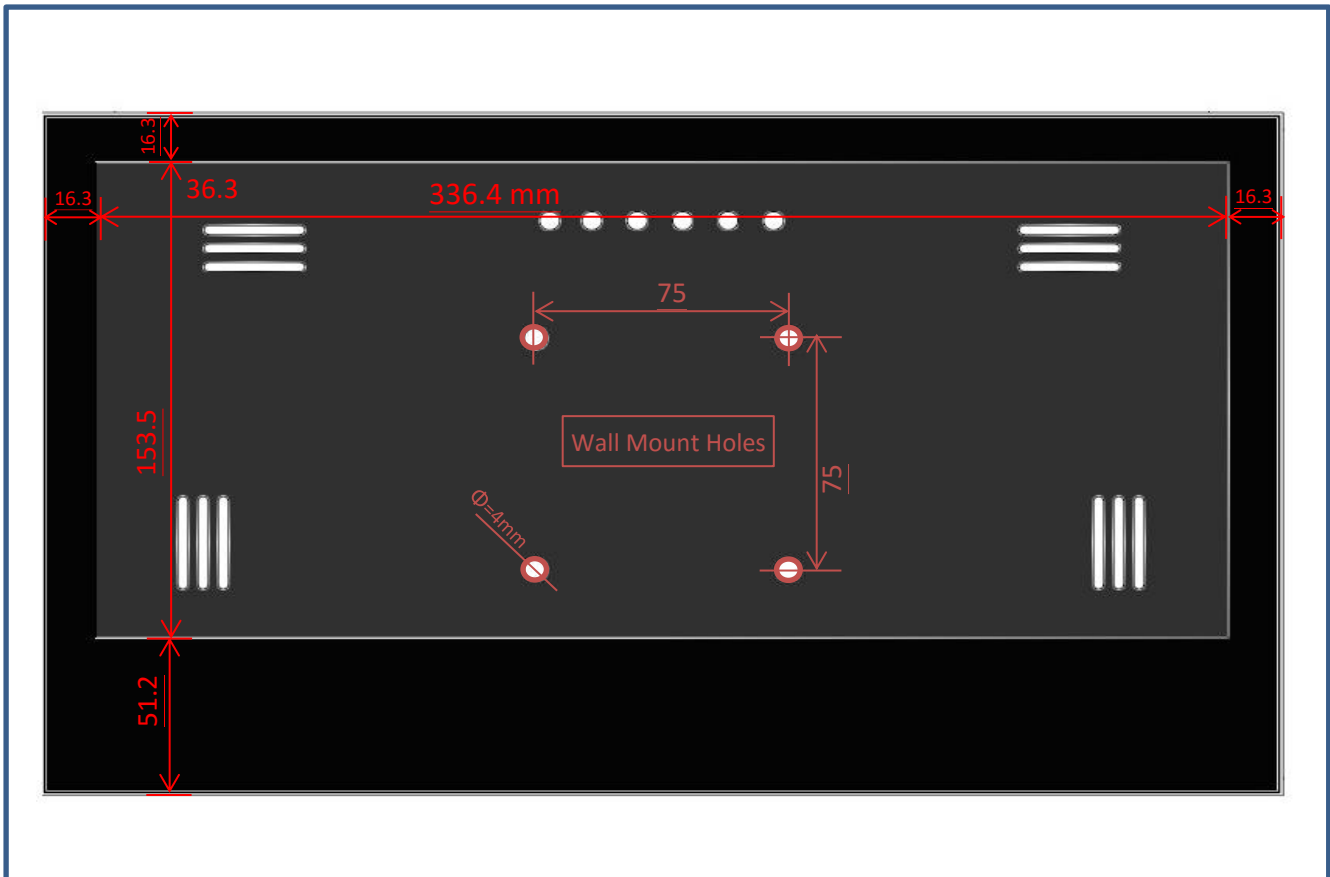
Full Model No.	NTM156CXXXXX	Transparency	≥92% ±3%
Touch Screen	Surface Capacitive	Accuracy	99.00%
Allowed touch points	1 point	Surface Treatment	Anti-glare <7%
Interface	USB/RS232	Hardness	≥9H

Accessories

Item	Description	Quantity
VGA Cable	D-Sub 15Pin Male to Male , 1.2 Meter	1
Audio cable	3.5mm Headset Jack , Male to Male , 1.2 Meter	1
AC-DC Adapter	4.16A/12V with CE/FCC/CCC/UL/RoHS/PSE/JET Certification	1
Power cord	*(depends on Country)	1
USB Cable	A type , Male to Male , 1.5 Meter *(only for touch models)	1

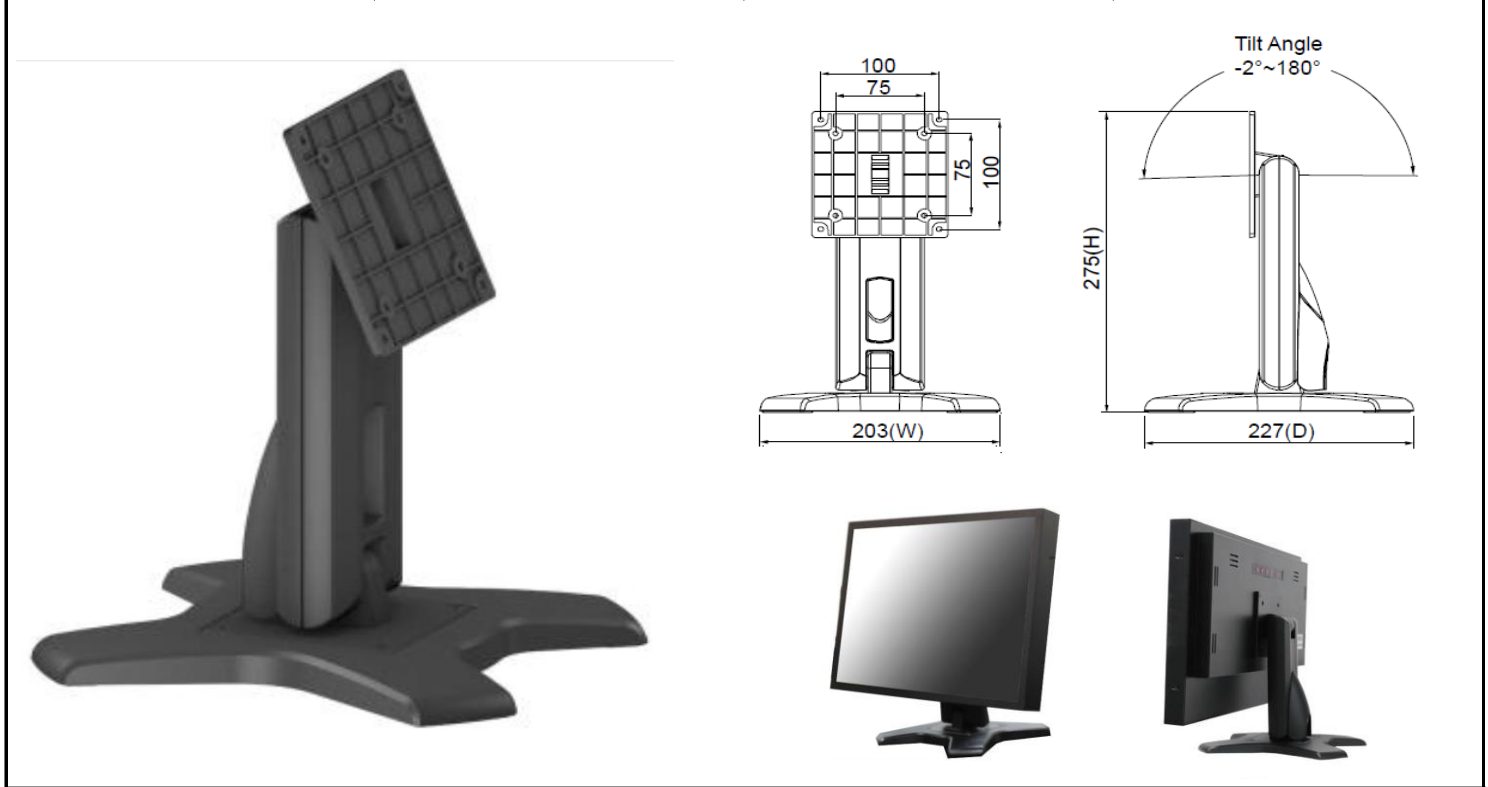


Outward and Dimensions

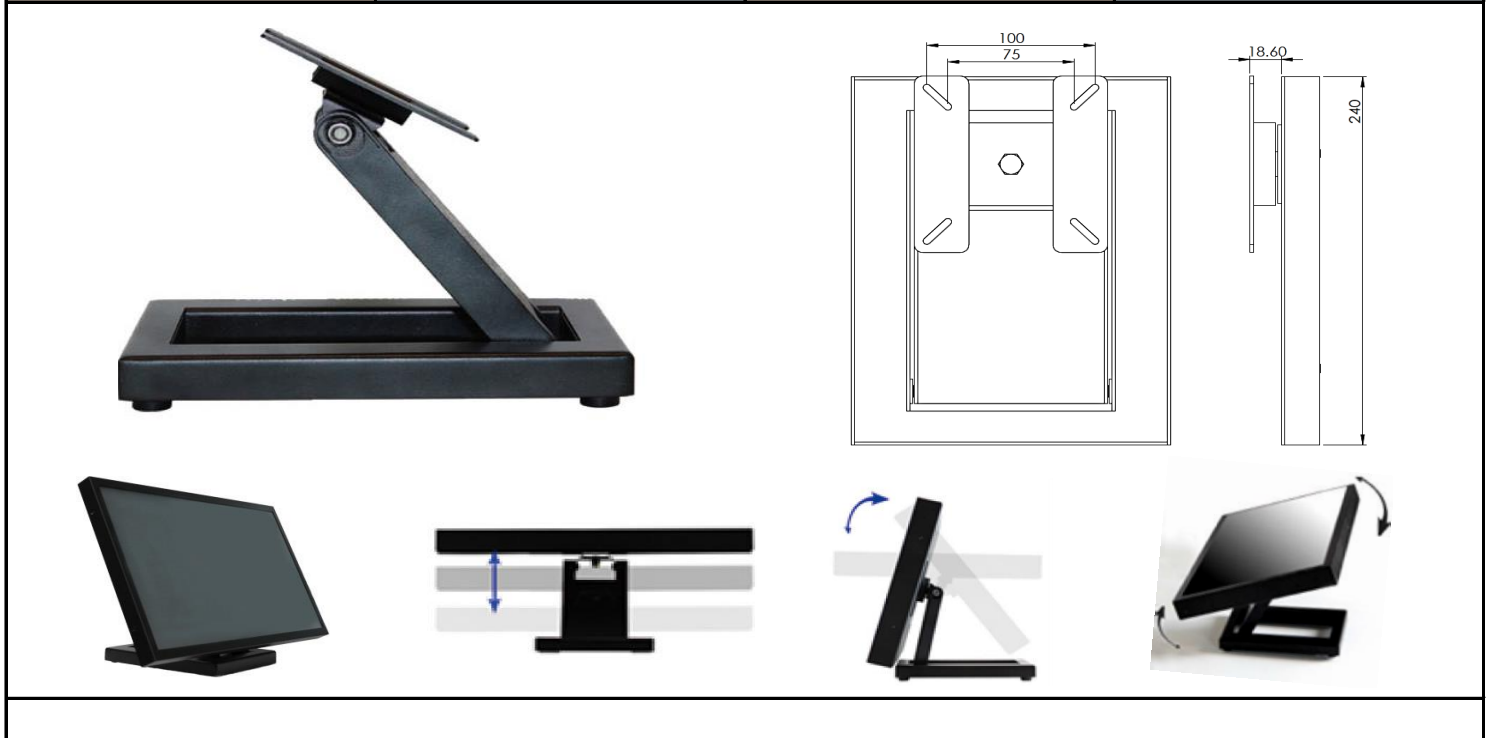


Optional Accessories (Desktop Stand)

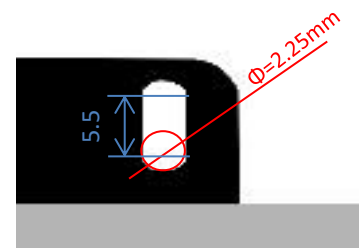
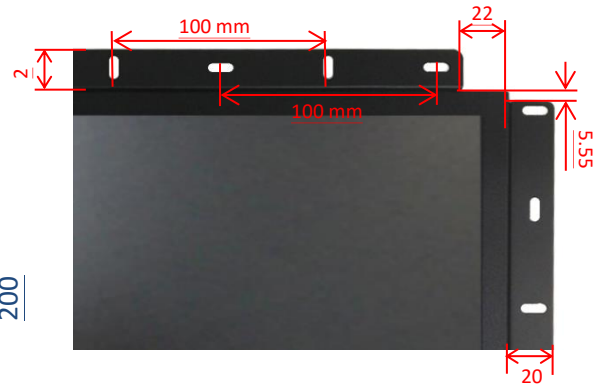
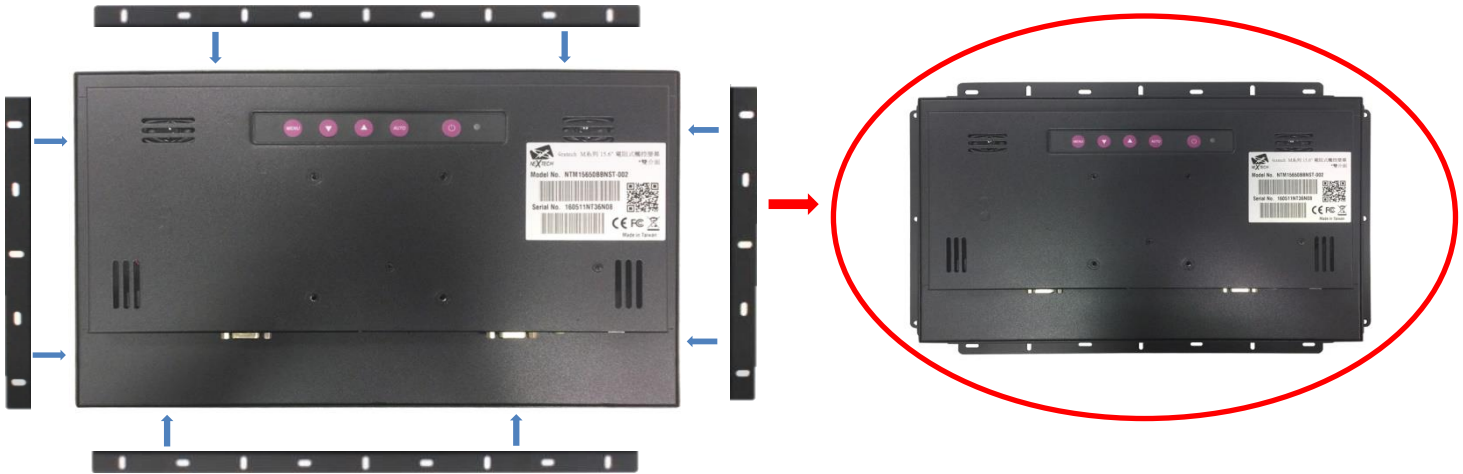
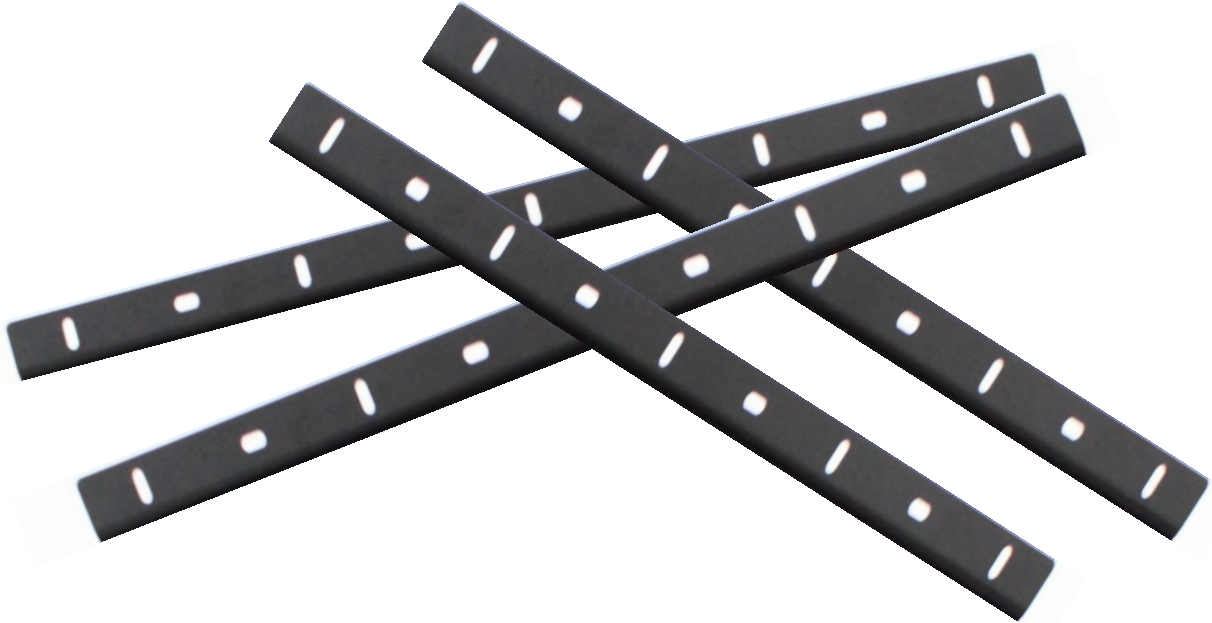
Item	B Stand	Part No.	P1SS0 / P1SS0-02
Mounting Pattern	100x100 / 75x75 mm	Dimension (WxHxD)	203x275x227 mm
Material	Steel/Plastic/Aluminum	Net Weight	1.8 KG
Tilt(Hinge)	-2° ~ +180°	Support Max. Weight	15 KG



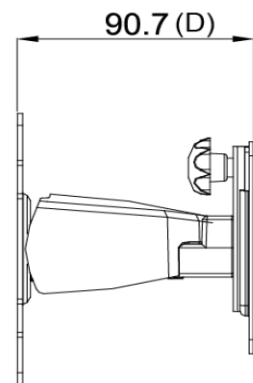
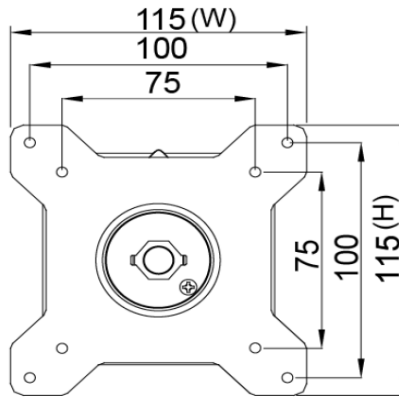
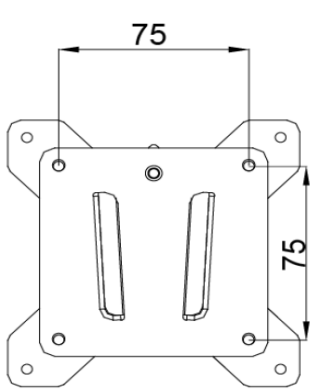
Item	Z Stand	Part No.	P1SZ2
Mounting Pattern	100x100 / 75x75 mm	Dimension (WxHxD)	190x240x41.6
Material	SECC	Net Weight	2.6 KG
Tilt(Hinge)	±360°	Support Max. Weight	15 KG



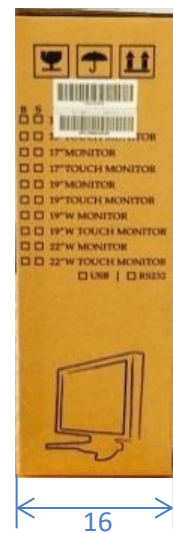
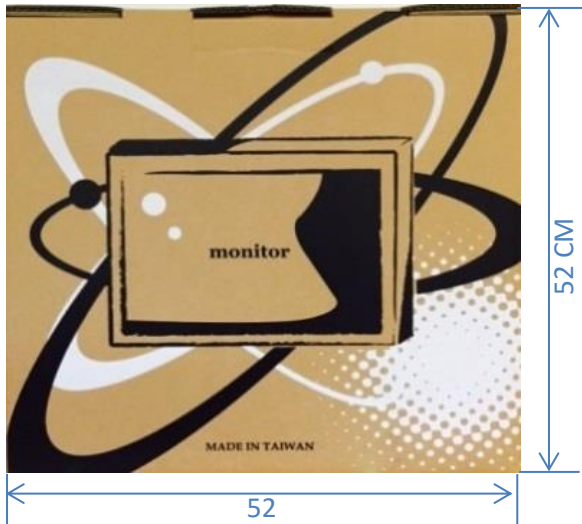
Optional Accessories (Open-frame Brackets)



Optional Accessories (Wall Mount Bracket)



Packing Information



Unit N.Weight	≤ 3.18 KG
Unit G.Weight	≤ 5.26 KG
Q'ty per Pallet	26
Pallet Size	120x100x15 CM
Total Size	120x100x119 CM
Total G.Weight	150 KG

Optional Accessories (Desktop Stand or Arm)



- 273x180x265 mm
 - 1.07 KG
 - Support 12 KG



- 620x556x123 mm
 - 3 KG
 - Support 10 KG



- 250x192x445 mm
 - 1.4 KG
 - Support 12 KG



- 655x858.5x563 mm
 - 7.56 KG
 - Support 30 KG



- 158x403x144 mm
 - 2.12 KG
 - Support 12 KG



- 646x861x953.5 mm
 - 8.57 KG
 - Support 30 KG



- 423x403x240 mm
 - 1.91 KG
 - Support 12 KG



- 1300x403x307 mm
 - 5.3 KG
 - Support 8 KG



- 715x393x144 mm
 - 3.68 KG
 - Support 12 KG

