



Product Specifications

Customer :	
Model No. :	NTP156



Features :

- ★ 15.6" 16:9 ,1366x768 (HD) Resolution
- ★ Projected Capacitive Touch Option
- ★ 7H Hardness Tempered Cover Glass
- ★ 10 points Multi-touch
- ★ Metal Cabinet with Diverse Combine Options
- ★ Made in Taiwan, 3 Years Warranty
- ★ Designed for all Environments
- ★ High Brightness Option
- ★ AG/AR/AF Film Options
- ★ DC12/24/9-36V Power Input Options
- ★ All Kind of Connectors Option (VGA/DVI/HDMI/DP)
- ★ RS232 remote or remote control Options

			
BSMI	CE	FCC	RoHS
Compliance			

Records of Revision			
Vision	Modifying	Old Description	New Description
v1711.1	Preliminary Specifications		
v1712.1	Delete Remote Control Option		

General Specifications

Display Specifications

Full Model No.	NTP156XXXXXXX-002 *	Pixel Pitch	0.2525x0.252 mm
Screen Diagonal	15.6 inch	Response Time	10 msec
Display Area	344.232x193.536 mm	Backlight Unit	LED (white LED)
Resolution	1366x768 (HD)	Viewing Angle (L/R,U/D)	160° / 160°
Brightness	300 nits (options)	Backlight Life Time	50000 HRS
Contrast Ratio	500:1	Operating Temp.	0~60°C
Display Ratio	16:9	Surface Treatment	Anti-glare, Hardness 3H
Support Color	16.7M Color		

* Depends on specifications and options.

Brightness Options

Item	Brightness	Model No.
Standard	300 nits	NTP156XXXXNXX-002
Semi-Outdoor	1000 nits	NTP156XXXXAXX-002
Outdoor *	1500 nits	NTP156XXXXFXX-002

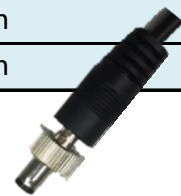
* For outdoor application.

Display Input Options

Item	Connectors	Model No.
Standard	VGA+DVI	NTP156XXXXXXD-002
Option1	VGA+DVI+HDMI	NTP156XXXXXX7-002
Option2	VGA+HDMI+DP	NTP156XXXXXX3-002

Power Input Options

Item	Description	Connector
Standard	DC-12V, with AC/DC Adapter 100~240V	DC Jack Φ2.1mm
Option	DC-12V, with AC/DC Adapter 100~240V	DC Jack Φ2.1mm (Lockable) *
Option	DC-24V	DC Jack Φ2.1mm
Option	DC-9~36V	DC Jack Φ2.1mm



* DC-12V Lockable Connector (option)

Supported OS

OS	Version
Windows	Win10, Win8, Win7 , Vista, XP, Embedded XP, Win2000, CE.NET 4.x ↑
Linux	Kernel 2.6.24 ↑
Android	3.0 ↑
Mac	10.5.x ↑ (Intel CPU)

Physical Specifications

Dimension (Max)	385.4x240.4x41 mm	Net Weight	≤ 3.26 KG
Wall Mount Hole	75x75 / 100x100 mm	Gross Weight	≤ 5.82 KG

Cabinet Options

Item	Description
Standard	Galvanized steel (SECC)
Option	Stainless Steel
Option	Aluminum

Fan Options

Item	Description
Fanless	Fanless
Built-in (option)*	7 Blades/1.2W/4000r.p.m/Max.10.96CFM/28.3dB

* Fan use the space of speakers, fan and speakers can't both exist in one model

Audio Input

Item	Description	Connector
Audio Input	Stereo	TRS connector 3.5mm
Speaker	2W x2	



Audio input



Speakers/Fan

Display Control Options

Item	Description
OSD	Physical button (standard)
RS232	RS232 control (option)



OSD Button



Software Control via RS232 interface.

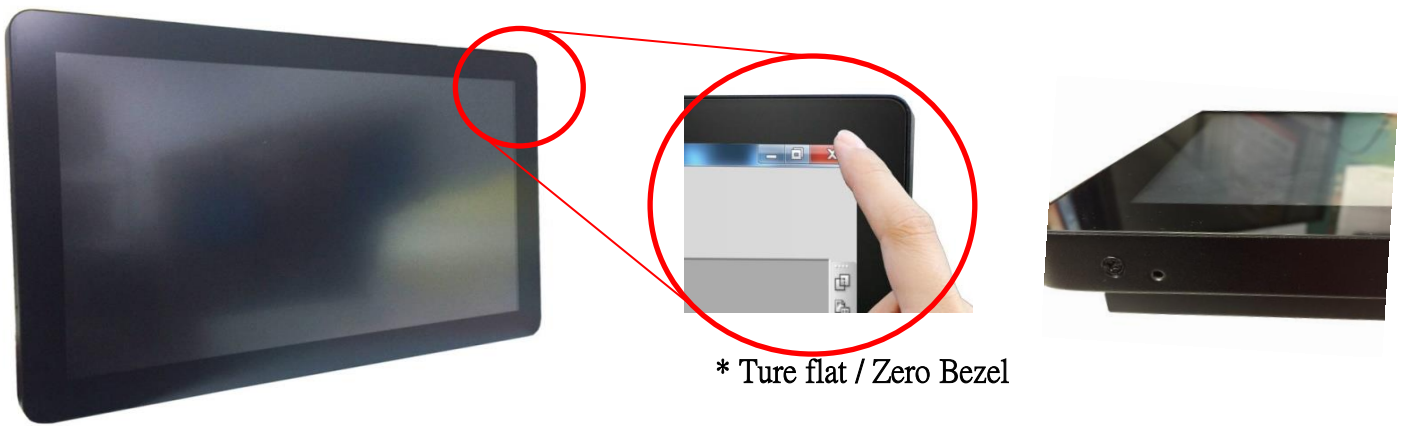
Touch Specifications

Non-touch Model

Full Model No.	NTP1560XXXXXXXX-002	Tempered Glass Thickness	2.8±0.2mm
		Glass Hardness	≥7H

PCAP Touch Model

Full Model No.	NTP156BXXXXXXXX-002	Transparency	≥87%
Touch Screen	Projected Capacitive	Accuracy	99.00%
Allowed touch points	10 points	Touch Screen Thickness	2.8±0.2mm
Interface	USB	Hardness	≥7H



Surface Film Options

AG	Anti-Glare
AFP	Anti-Fouling/FingerPrint
AR	Anti-Reflective
AS	Anti-Spy



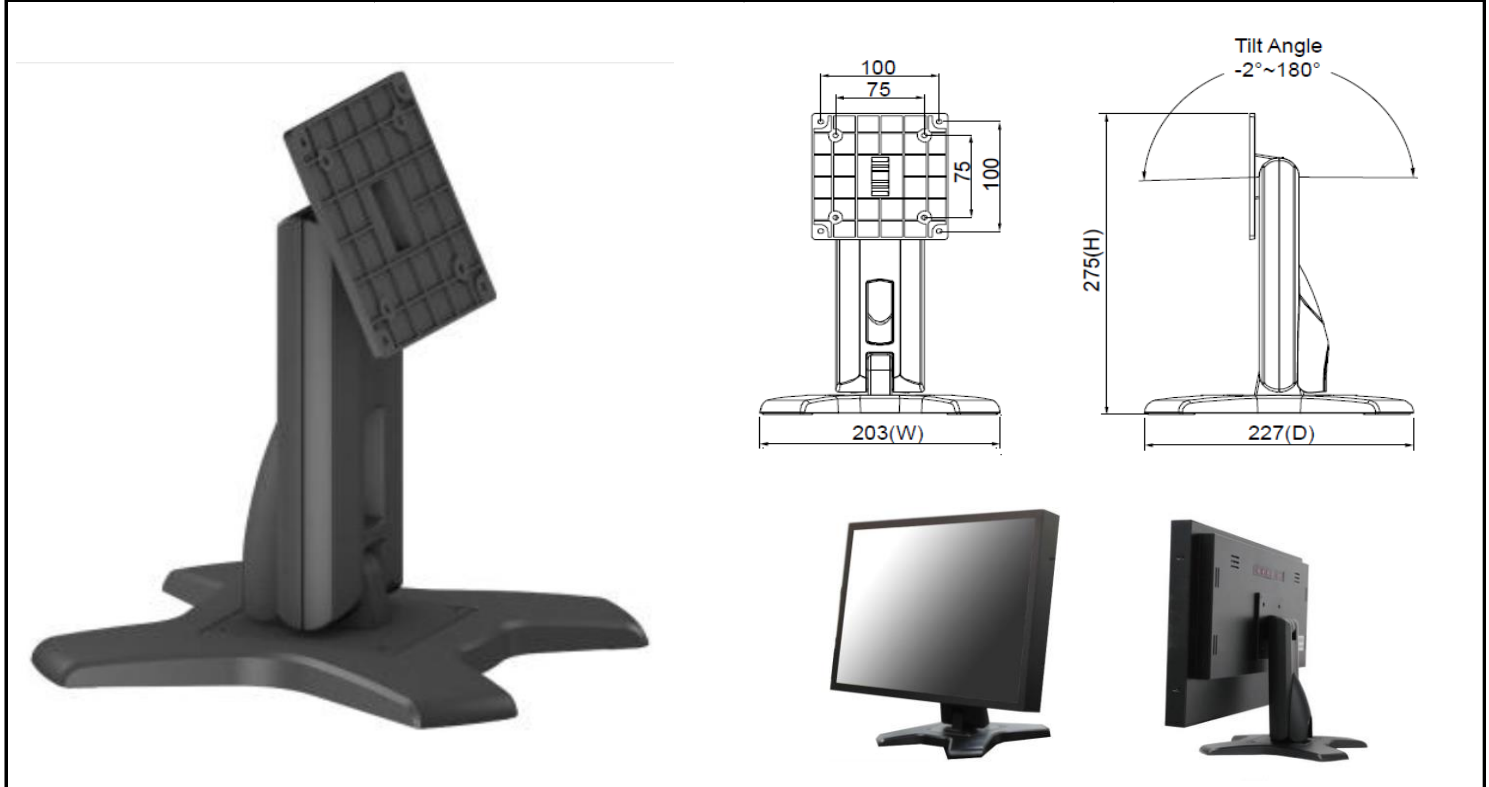
Accessories

Item	Description	Quantity
VGA Cable	D-Sub 15Pin Male to Male , 1.2 Meter	1
Audio cable	3.5mm Headset Jack , Male to Male , 1.2 Meter	1
AC-DC Adapter	4.16A/12V with CE/FCC/CCC/UL/RoHS/PSE/JET Certification	1
Power cord	*(depends on Country)	1
USB Cable	A type , Male to Male , 1.5 Meter *(only for touch monitor)	1

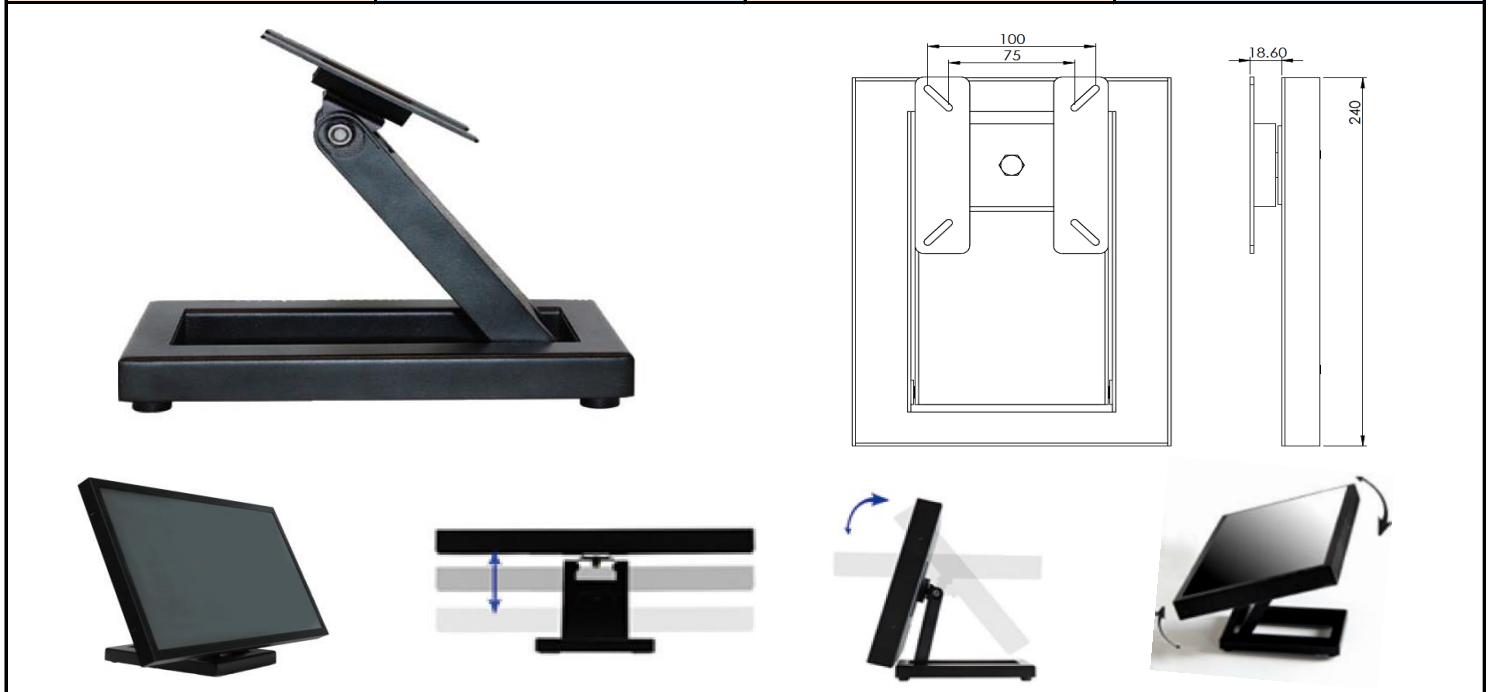


Optional Accessories (Desktop Stand)

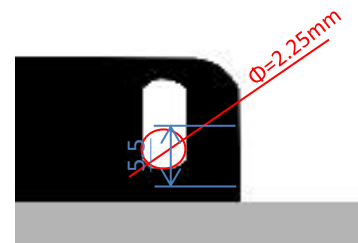
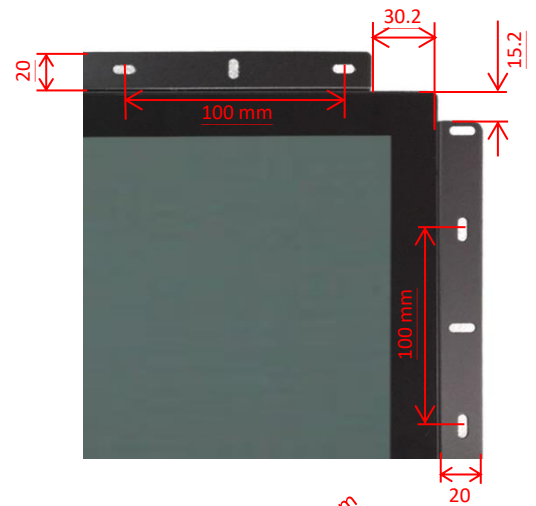
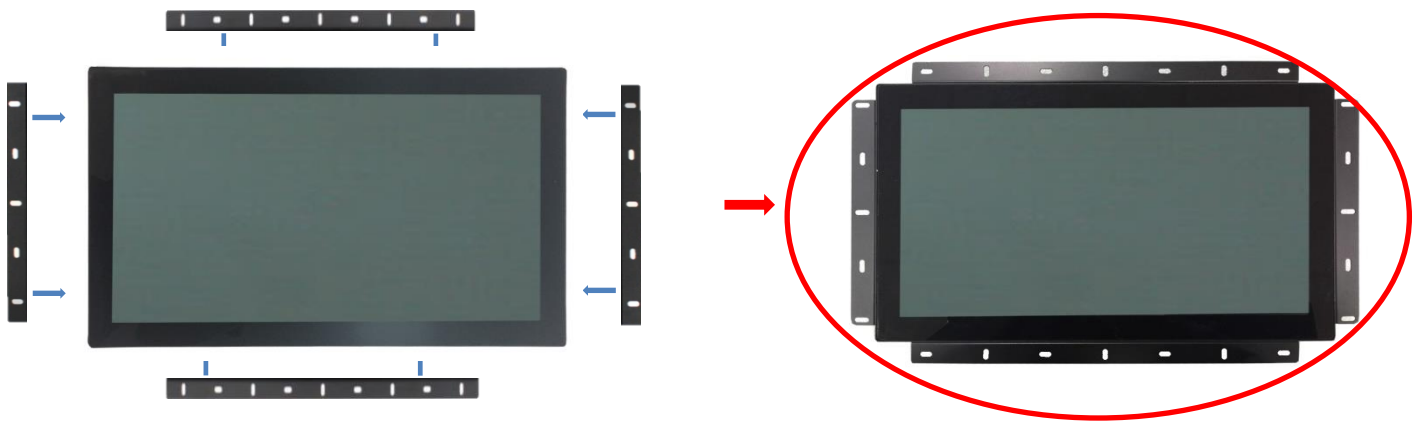
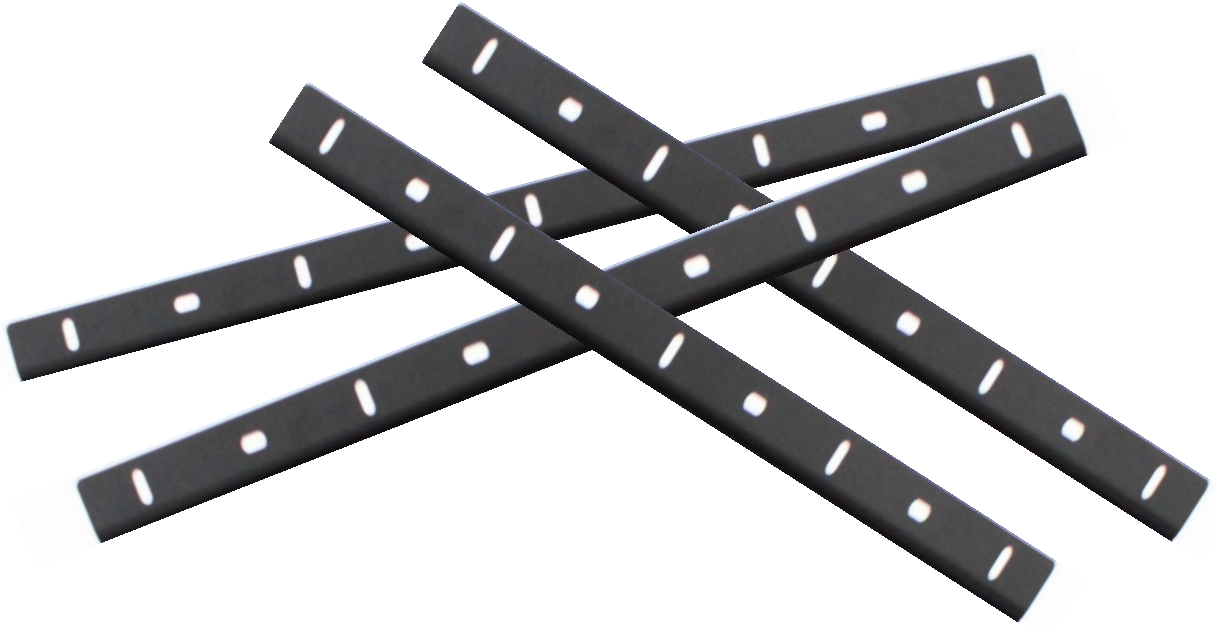
Item	B Stand	Part No.	P1SS0 / P1SS0-02
Mounting Pattern	100x100 / 75x75 mm	Dimension (WxHxD)	203x275x227 mm
Material	Steel/Plastic/Aluminum	Net Weight	1.8 KG
Tilt(Hinge)	-2° ~ +180°	Support Max. Weight	15 KG



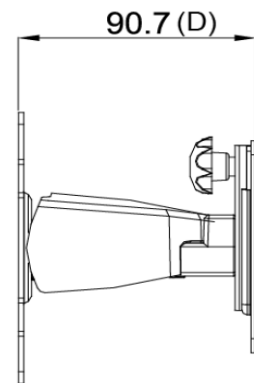
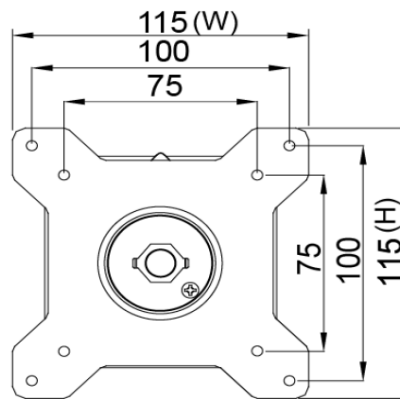
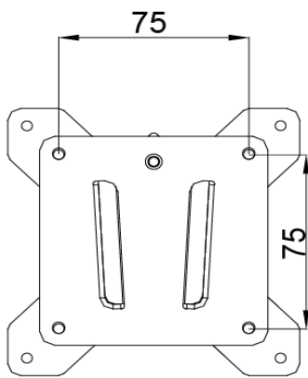
Item	Z Stand	Part No.	P1SZ2
Mounting Pattern	100x100 / 75x75 mm	Dimension (WxHxD)	190x240x41.6
Material	SECC	Net Weight	2.6 KG
Tilt(Hinge)	±360°	Support Max. Weight	15 KG



Optional Accessories (Open-frame Brackets)



Optional Accessories (Wall Mount Bracket)



Packing Information



Net Weight	≤ 3.26 KG
Gross Weight	≤ 5.82 KG
Q'ty per Pallet	28 units
Pallet Size	120x100x15 CM
Total Size	120x100x159.1 CM
Total Weight	173 KG

Optional Accessories (Desktop Stand or Arm)



- 273x180x265 mm
- 1.07 KG
- Support 12 KG



- 620x556x123 mm
- 3 KG
- Support 10 KG



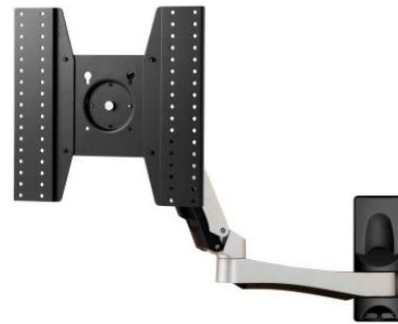
- 250x192x445 mm
- 1.4 KG
- Support 12 KG



- 655x858.5x563 mm
- 7.56 KG
- Support 30 KG



- 158x403x144 mm
- 2.12 KG
- Support 12 KG



- 646x861x953.5 mm
- 8.57 KG
- Support 30 KG



- 423x403x240 mm
- 1.91 KG
- Support 12 KG



- 1300x403x307 mm
- 5.3 KG
- Support 8 KG



- 715x393x144 mm
- 3.68 KG
- Support 12 KG

