



# Product Specifications

Customer :	
Model No. :	NTSP121



**Features :**

- ★ 12.1" 4:3 ,1024x768 (XGA) Resolution
- ★ Capacitive True Flat Multi-Touch
- ★ 7H Hardness Tempered Cover Glass
- ★ Wide Working Temperature (-15~70°C)
- ★ Metal Cabinet with Diverse Combine Options
- ★ Made in Taiwan, 3 Years Warranty
- ★ Designed for all Environments
- ★ Sunlight-Readable High Brightness Options
- ★ Anti-Glare/Anti-Reflection/Anti-Fingerprint Film Options
- ★ All Kind of Connectors Option (VGA/DVI/HDMI/DP)



			
BSMI	CE	FCC	RoHS
<b>Compliance</b>			

Records of Revision			
Vision	Modifying	Old Description	New Description
1604.1	draft		
v1711.1	First Version		

### General Specifications

#### Display Specifications

Full Model No.	NTSP121NP-XXXXXXX-300 *	Pixel Pitch	240x240 um
Screen Diagonal	12.1 inch	Response Time	16 msec
Display Area	245.76x184.32 mm	Backlight Unit	LED (white LED)
Resolution	1024x768	Viewing Angle (L/R,U/D)	160° / 140° (Typ.)
Brightness	500 nits (Optional)	Backlight Life Time	30000 HRS
Contrast Ratio	700:1	Operating Temp.	-30~70°C
Display Ratio	4:3	Surface Treatment	Anti-glare, Hardness 3H
Support Color	16.7M Color		

\* Depends on specifications and options.

#### Brightness Options

Item	Brightness	Model No.
Standard	500 nits	NTSP121NP-XXXXXXX-300
Semi-Outdoor	1000 nits	NTSP121AP-XXXXXXX-300
Outdoor *	1500 nits	NTSP121FP-XXXXXXX-300

\* For outdoor application.

#### Display Input Options

Item	Connectors	Model No.
Standard	VGA+DVI	NTSP121XX-XXXXX1X-300
Option1	VGA+DVI+HDMI	NTSP121XX-XXXXX7X-300
Option2	VGA+HDMI+DP	NTSP121XX-XXXXX3X-300

#### Power Input Options

Power Input	Connector	Model No.
DC 12V (Standard)	DC-12V, DC Jack Φ2.1mm	NTSP121NP-XXXXXX1-300
DC 12V (Lockable)	DC-12V, DC Jack Φ2.1mm Lockable *	NTSP121NP-XXXXXX2-300



\* DC-12V Lockable Connector (option)

### Physical Specifications

Dimension (Max)	279.8x221.8x45.5 mm	Net Weight	≤ 2.01 KG
Wall Mount Hole	VESA 75x75 mm	Gross Weight	≤ 3.43 KG

#### Cabinet Options

Item	Description
Standard	Galvanized steel (SECC)
Option	Stainless Steel
Option	Aluminum

#### Audio Input

Item	Description	Connector
Audio Input	Stereo	TRS connector 3.5mm
Speaker	2W x2	

### Touch Specifications

#### Non-touch Model

Full Model No.	NTSP121N <sub>Q</sub> -XXXXXXX-300	Tempered Glass Thickness	2.0±0.2mm
		Glass Hardness	≥7H

#### PCAP Touch Model

Full Model No.	NTSP121N <sub>P</sub> -XXXXXXX-300	Transparency	≥87%
Touch Screen	Projected Capacitive	Accuracy	99.00%
Allowed touch points	10 points	Touch Screen Thickness	2.2±0.2mm
Interface	USB	Hardness	≥7H



\* True flat / Zero Bezel

### Surface Film Options

AG	Anti-Glare
AFP	Anti-Fouling/FingerPrint
AR	Anti-Reflective
AS	Anti-Spy



### Accessories

Item	Description	Quantity
VGA Cable	D-Sub 15Pin Male to Male , 1.2 Meter	1
Audio cable	3.5mm Headset Jack , Male to Male , 1.2 Meter	1
AC-DC Adapter	4.16A/12V with CE/FCC/CCC/UL/RoHS/PSE/JET Certification	1
Power cord	*(depends on Country)	1
USB Cable	A type , Male to Male , 1.5 Meter *(only for touch monitor)	1



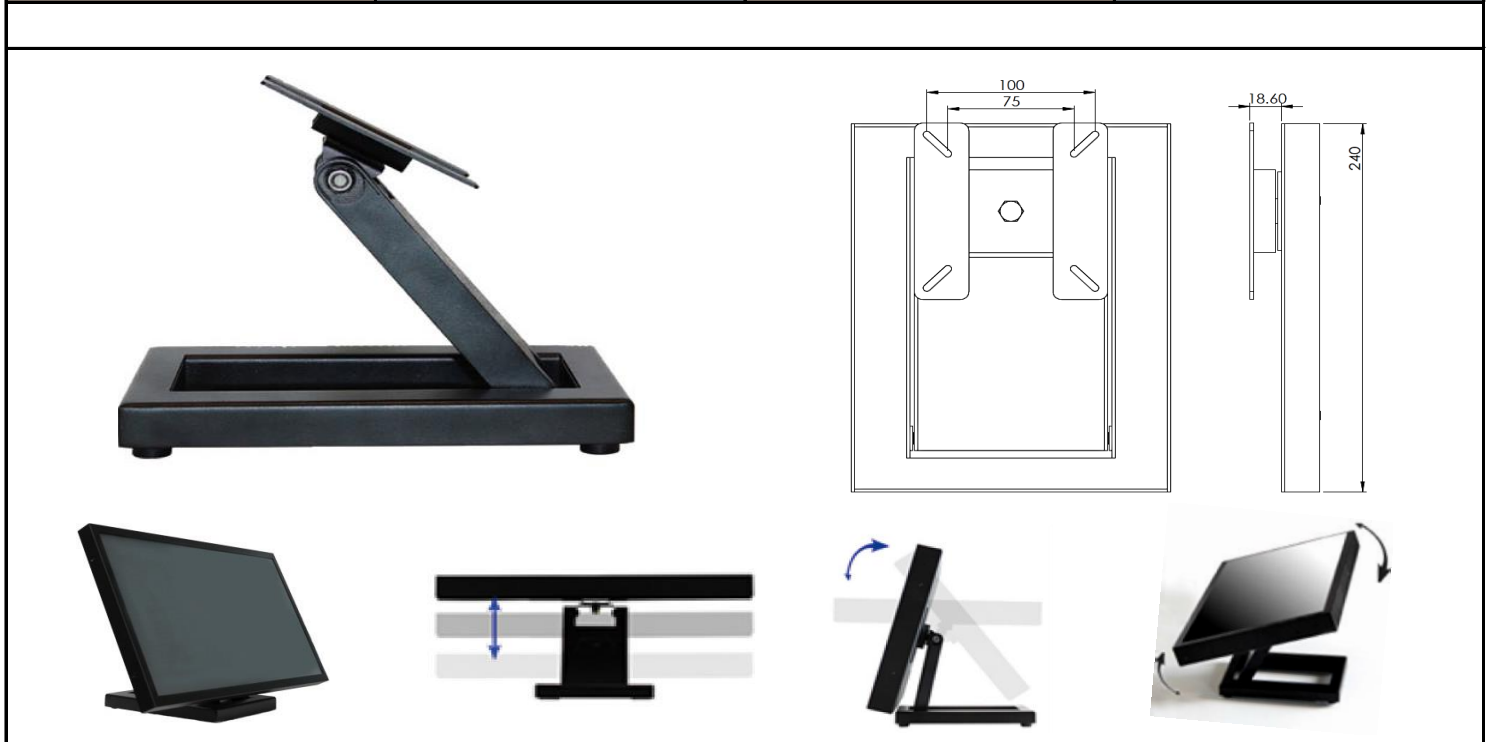


**Optional Accessories (Desktop Stand)**

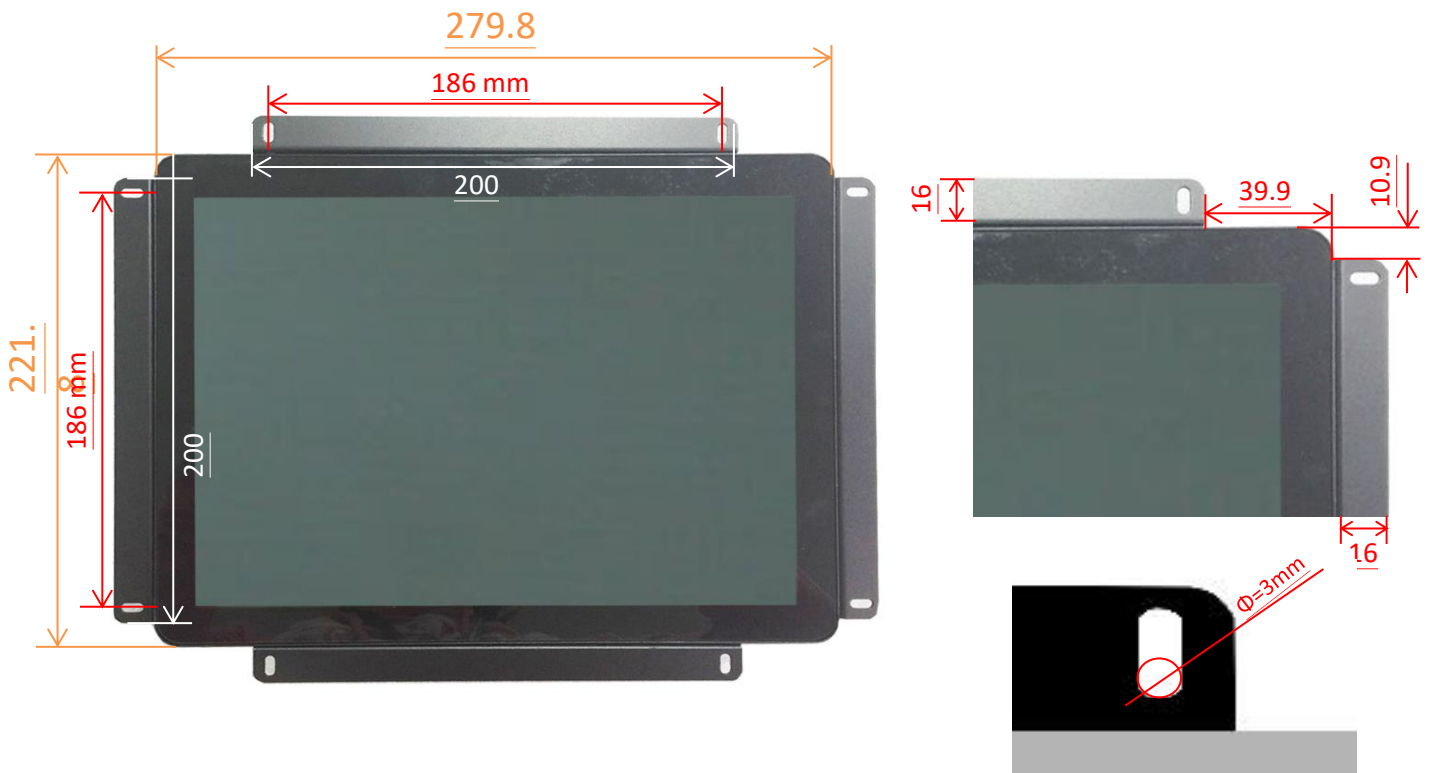
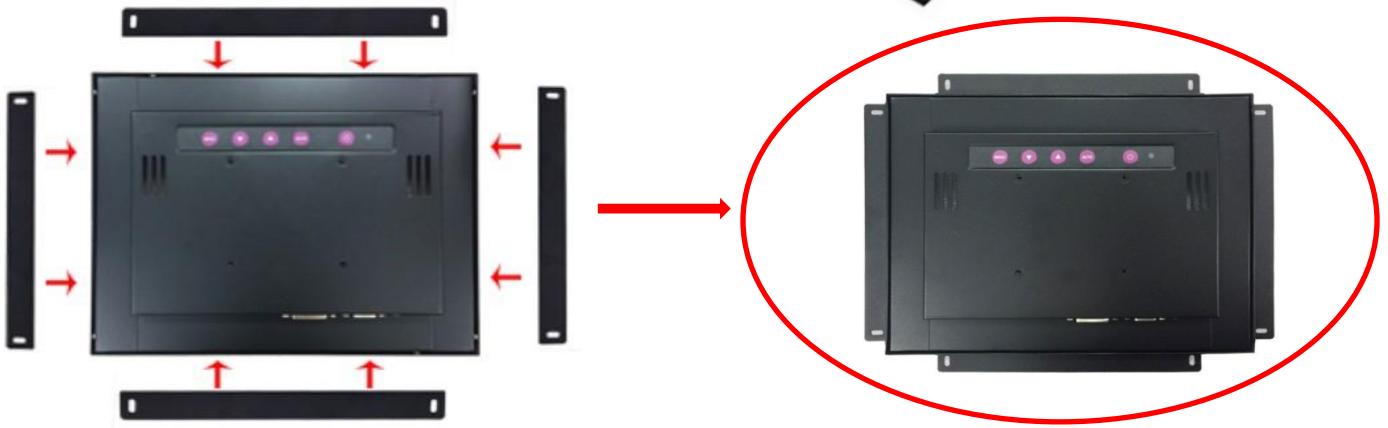
Item	B Stand	Part No.	P1SS0 / P1SS0-02
Mounting Pattern	100x100 / 75x75 mm	Dimension (WxHxD)	203x275x227 mm
Material	Steel/Plastic/Aluminum	Net Weight	1.8 KG
Tilt(Hinge)	-2° ~ +180°	Support Max. Weight	15 KG



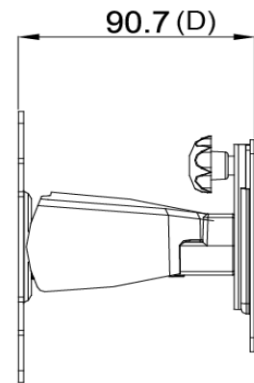
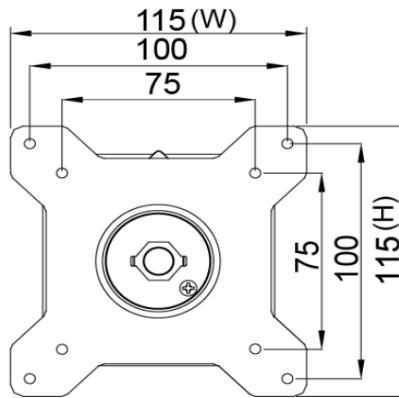
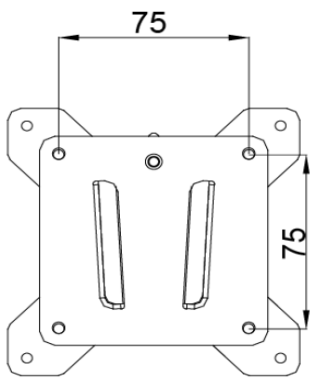
Item	Z Stand	Part No.	P1SZ2
Mounting Pattern	100x100 / 75x75 mm	Dimension (WxHxD)	190x240x41.6
Material	SECC	Net Weight	2.6 KG
Tilt(Hinge)	±360°	Support Max. Weight	15 KG



Optional Accessories (Open-frame Brackets)



**Optional Accessories (Wall Mount Bracket)**



**Packing Information**



Net Weight	≅ 2.01 KG
Gross Weight	≅ 3.43 KG
Q'ty per Pallet	28 units
Pallet Size	120x100x15 CM
Total Size	120x100x167 CM

**Optional Accessories (Desktop Stand or Arm)**



- 273x180x265 mm  
 - 1.07 KG  
 - Support 12 KG



- 620x556x123 mm  
 - 3 KG  
 - Support 10 KG



- 250x192x445 mm  
 - 1.4 KG  
 - Support 12 KG



- 655x858.5x563 mm  
 - 7.56 KG  
 - Support 30 KG



- 158x403x144 mm  
 - 2.12 KG  
 - Support 12 KG



- 646x861x953.5 mm  
 - 8.57 KG  
 - Support 30 KG



- 423x403x240 mm  
 - 1.91 KG  
 - Support 12 KG



- 1300x403x307 mm  
 - 5.3 KG  
 - Support 8 KG



- 715x393x144 mm  
 - 3.68 KG  
 - Support 12 KG

