



Product Specifications

Customer :	
Model No. :	NTSP150 V304



Features :

- ★ 15" 4:3 ,1024x768 (XGA) Resolution
- ★ Capacitive True Flat Multi-Touch
- ★ 7H Hardness Tempered Cover Glass
- ★ IPS Technology, Wide Viewing Angle (176°/176°)
- ★ Wide Working Temperature (-30~80°C)
- ★ Metal Cabinet with Diverse Combine Options
- ★ Made in Taiwan, 3 Years Warranty
- ★ Designed for all Environments
- ★ Sunlight-Readable High Brightness Options
- ★ Anti-Glare/Anti-Reflection/Anti-Fingerprint Film Options
- ★ 12V/24V/9-36V Power Input Options
- ★ All Kind of Connectors Option (VGA/DVI/HDMI/DP)
- ★ RS232 remote or remote control Option
- ★ Auto Dimmer (with light sensor) Option

			
BSMI	CE	FCC	RoHS
Compliance			

Records of Revision			
Vision	Modifying	Old Description	New Description
v1712.1	Preliminary specifications		

General Specifications

Display Specifications

Full Model No.	NTSP150NP-XXXXXXX-304	Pixel Pitch	297x297 um
Screen Diagonal	15.0 inch	Response Time	21 msec
Display Area	304.1x228.1	Backlight Unit	LED (white LED)
Resolution	1024x768	Viewing Angle (L/R,U/D)	176° / 176° (IPS)
Brightness	500nits (STD.)	Backlight Life Time	70000 HRS
Contrast Ratio	2500:1	Operating Temp.	-30~80°C
Display Ratio	4:3	Surface Treatment	Anti-glare, Hardness 3H
Support Color	16.7M Color		

* Depends on specifications and options.

Brightness Options

Item	Brightness	Model No.
High-brightness	500 nits	NTSP150 5 P-XXXXXXX-304
Semi-Outdoor	1000 nits	NTSP150 A P-XXXXXXX-304
Outdoor *	1600 nits	NTSP150 G P-XXXXXXX-304

* For outdoor application.

Display Input Options

Item	Connectors	Model No.
Standard	VGA+DVI	NTSP150XX-XXXXX 1 X-304
Option1	VGA+DVI+HDMI	NTSP150XX-XXXXX 7 X-304
Option2	VGA+HDMI+DP	NTSP150XX-XXXXX 3 X-304

Power Input Options

Power Input	Connector	Model No.
DC 12V (Standard)	DC-12V, DC Jack Φ2.1mm	NTSP150NP-XXXXXX 1 -304
DC 12V (Lockable)	DC-12V, DC Jack Φ2.1mm Lockable *	NTSP150NP-XXXXXX 2 -304
DC 24V	DC-24V, DC Jack Φ2.1mm	NTSP150NP-XXXXXX 4 -304
9~36V Wide Rage	DC-9~36V Phoenix Terminel Block **	NTSP150NP-XXXXXX 9 -304



* DC-12V Lockable Connector (option)



** 9~36V Phoenix Terminel Block (option)

Supported OS

OS	Version
Windows	Win10, Win8, Win7 , Vista, XP, Embedded XP, Win2000, CE.NET 4.x ↑
Linux	Kernel 2.6.24 ↑
Android	3.0 ↑
Mac	10.5.x ↑ (Intel CPU)

Physical Specifications

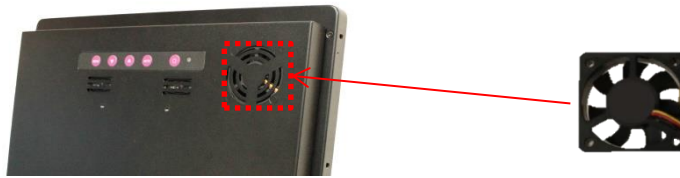
Dimension (Max)	348.4x272.4x43.3 mm	Net Weight	≤ 3.44 KG
Wall Mount Hole	VESA 75x75 mm	Gross Weight	≤ 5.28 KG

Cabinet Options

Item	Description
Standard	Galvanized steel (SECC)
Option	Stainless Steel
Option	Aluminum

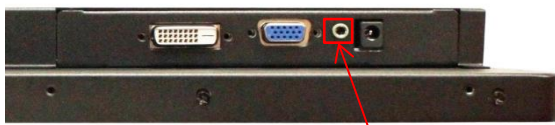
Fan Options

Item	Description	Model No.
Standard	Fanless	NTSP150XX-XXXX0XX-304
Built-in (option)*	7 Blades/1.2W/4000r.p.m Max.10.96CFM/28.3dB	NTSP150XX-XXXXEXX-304



Audio Input

Item	Description	Connector
Audio Input	Stereo	TRS connector 3.5mm
Speaker	2W x2	



Audio input



Speakers

Display Control Options

Item	Description
OSD	Physical button (standard)
RS232	RS232 control (option)
Remote Control	Remote Control (option)
Auto Dimmer	Auto Brightness Adjust (option)



OSD Button



Software Control via RS232 interface.



Light Sensor

Touch Specifications

Non-touch Model

Full Model No.	NTSP150N _Q -XXXXXXX-304	Tempered Glass Thickness	2.0±0.2mm
		Glass Hardness	≥7H

PCAP Touch Model

Full Model No.	NTSP150N _P -XXXXXXX-304	Transparency	≥87%
Touch Screen	Projected Capacitive	Accuracy	99.00%
Allowed touch points	10 points	Touch Screen Thickness	2.2±0.2mm
Interface	USB or RS232	Hardness	≥7H



* True flat / Zero Bezel

Surface Film Options

AG	Anti-Glare
AFP	Anti-Fouling/FingerPrint
AR	Anti-Reflective
AS	Anti-Spy

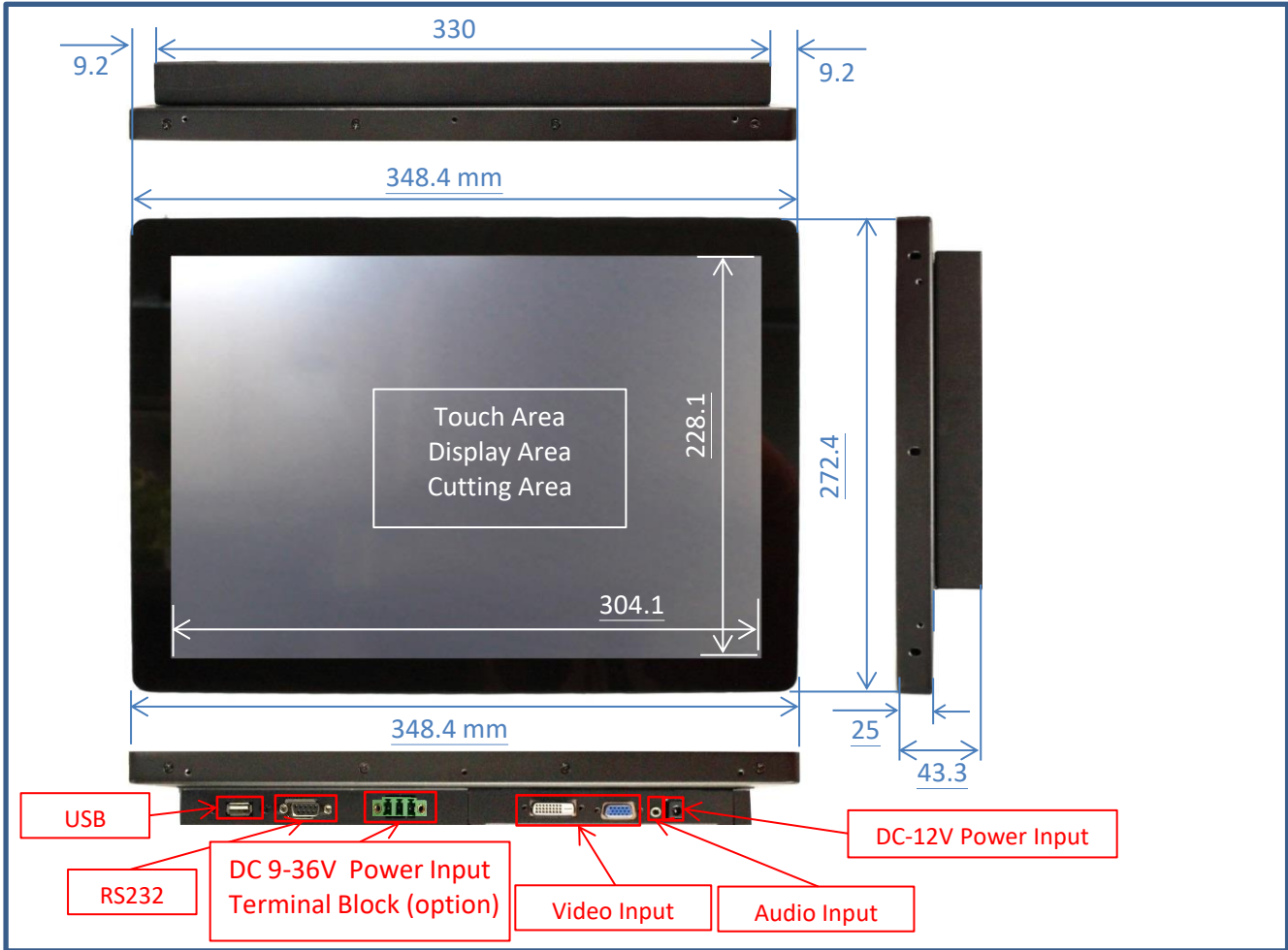


Accessories

Item	Description	Quantity
VGA Cable	D-Sub 15Pin Male to Male , 1.2 Meter	1
Audio cable	3.5mm Headset Jack , Male to Male , 1.2 Meter	1
AC-DC Adapter	4.16A/12V with CE/FCC/CCC/UL/RoHS/PSE/JET Certification	1
Power cord	*(depends on Country)	1
USB Cable	A type , Male to Male , 1.5 Meter *(only for touch monitor)	1



Outward and Dimensions

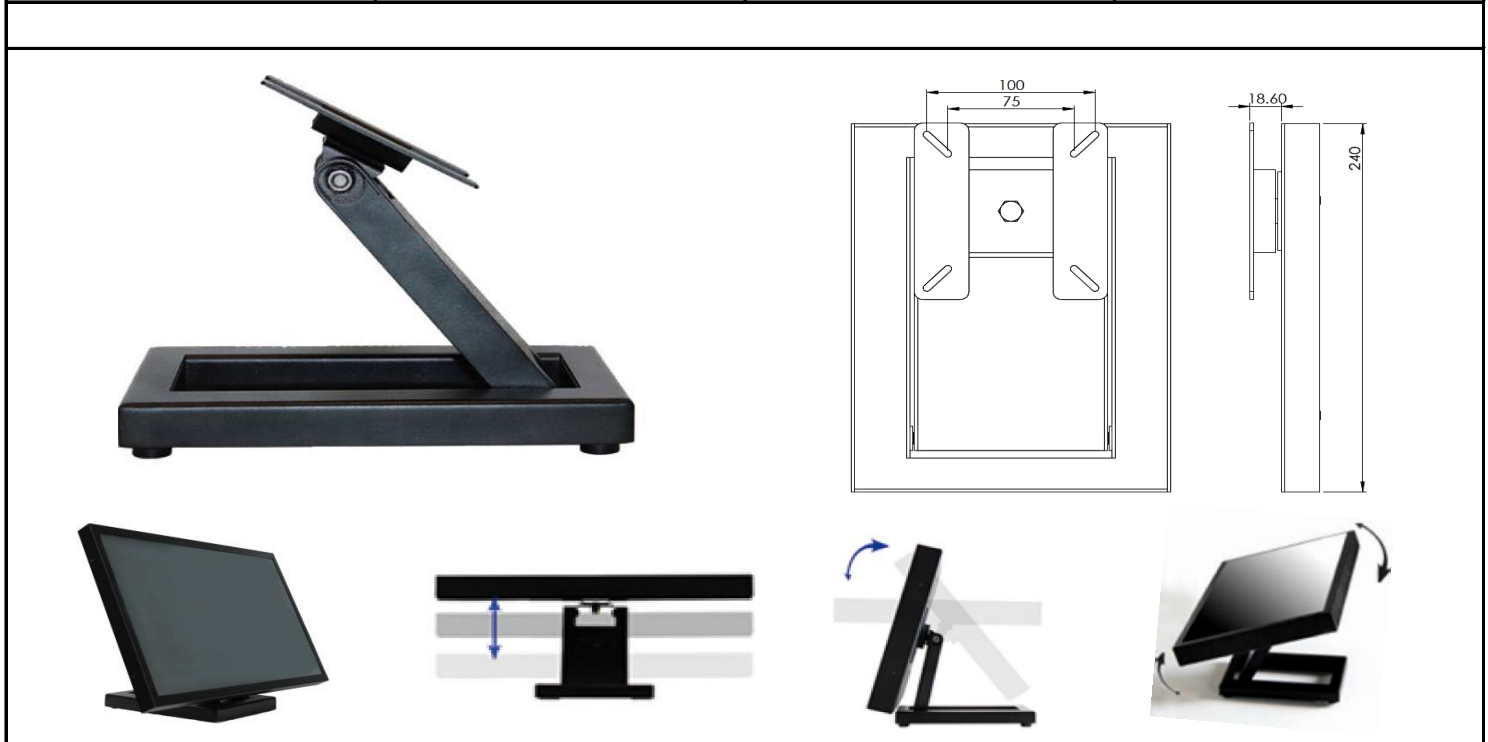


Optional Accessories (Desktop Stand)

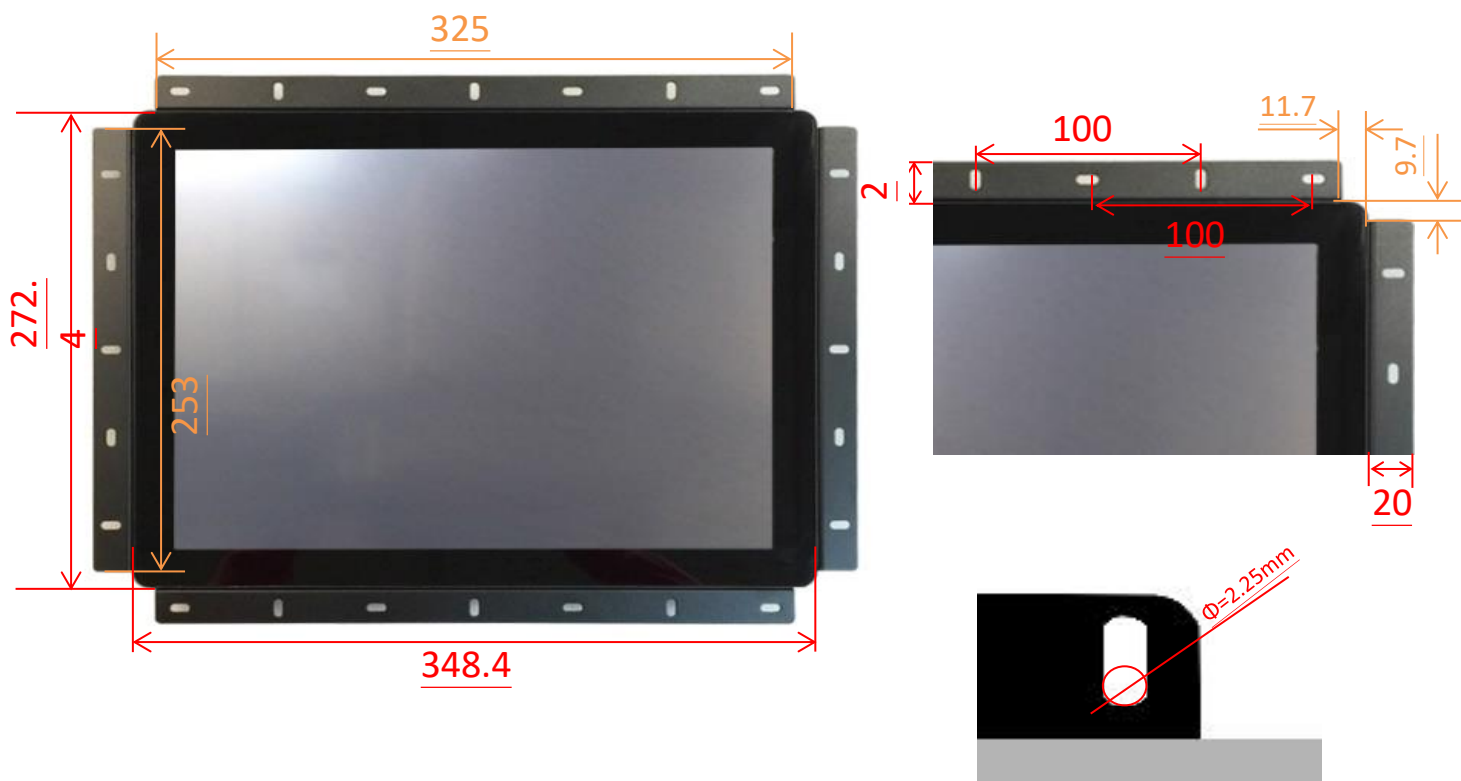
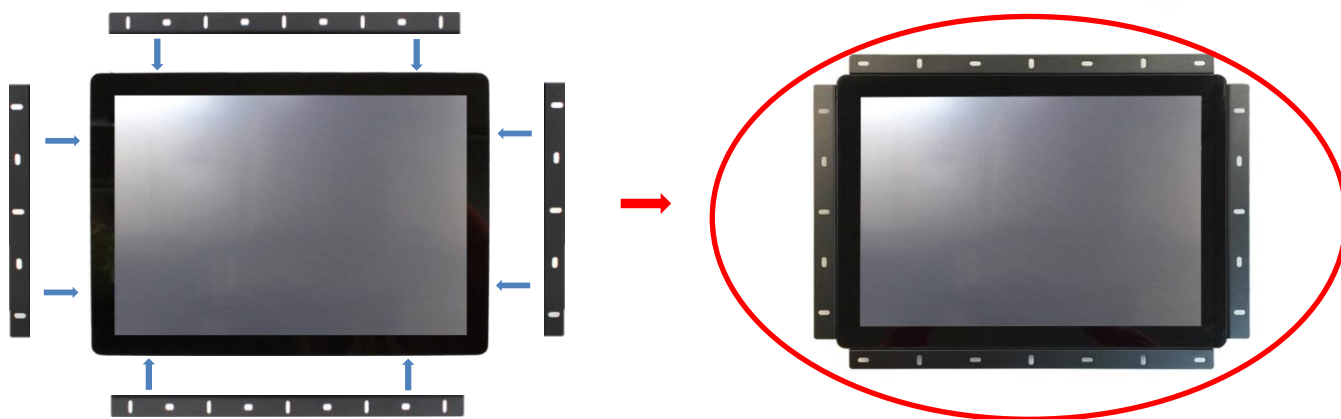
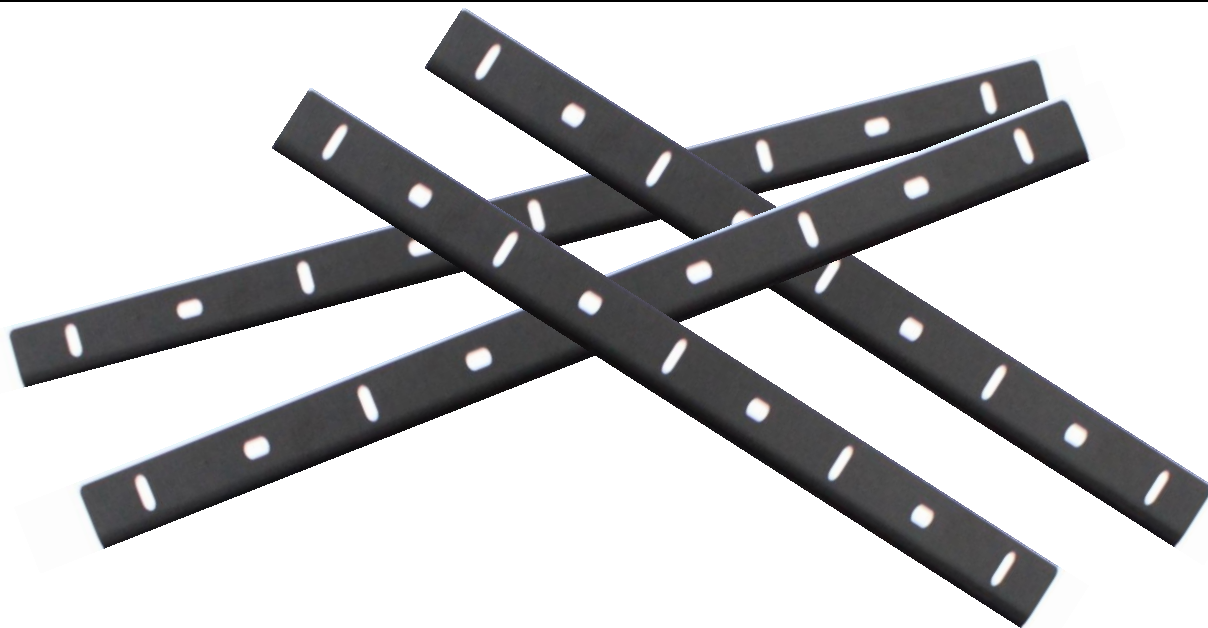
Item	B Stand	Part No.	P1SS0 / P1SS0-02
Mounting Pattern	100x100 / 75x75 mm	Dimension (WxHxD)	203x275x227 mm
Material	Steel/Plastic/Aluminum	Net Weight	1.8 KG
Tilt(Hinge)	-2° ~ +180°	Support Max. Weight	15 KG



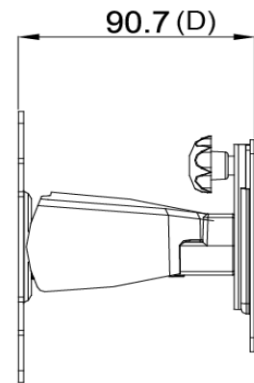
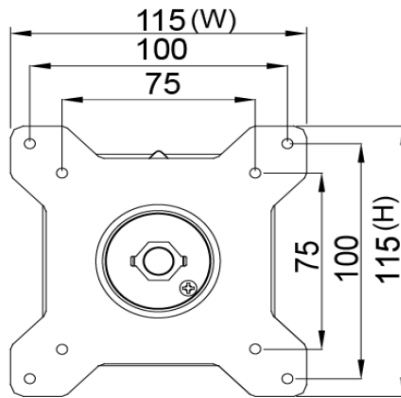
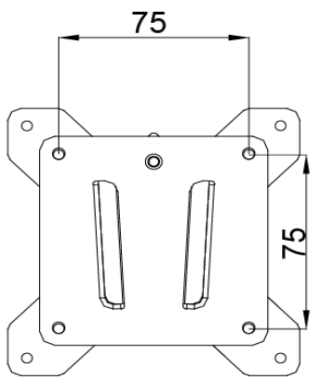
Item	Z Stand	Part No.	P1SZ2
Mounting Pattern	100x100 / 75x75 mm	Dimension (WxHxD)	190x240x41.6
Material	SECC	Net Weight	2.6 KG
Tilt(Hinge)	±360°	Support Max. Weight	15 KG



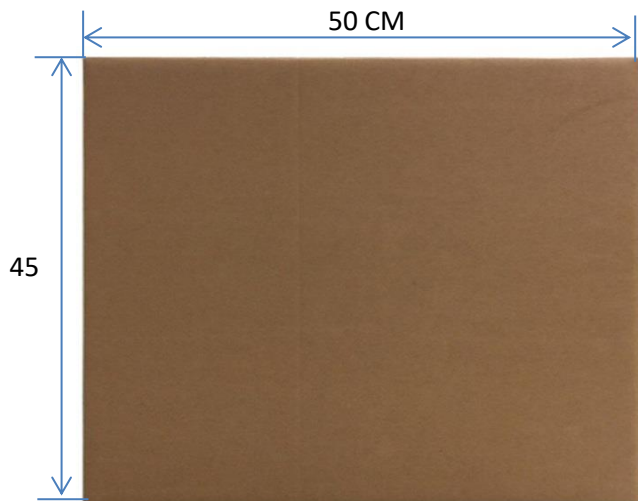
Optional Accessories (Open-frame Brackets)



Optional Accessories (Wall Mount Bracket)



Packing Information



Net Weight	≤ 3.44 KG
Gross Weight	≤ 5.28 KG
Q'ty per Pallet	30 units
Pallet Size	120x100x15 CM
Total Size	120x100x150 CM, 168 KG



Optional Accessories (Desktop Stand or Arm)



- 273x180x265 mm
 - 1.07 KG
 - Support 12 KG



- 620x556x123 mm
 - 3 KG
 - Support 10 KG



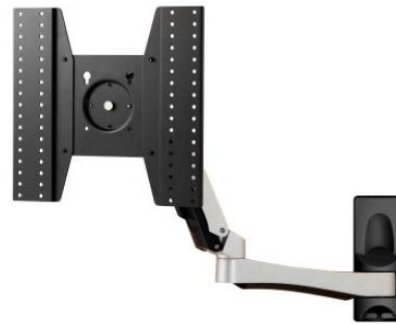
- 250x192x445 mm
 - 1.4 KG
 - Support 12 KG



- 655x858.5x563 mm
 - 7.56 KG
 - Support 30 KG



- 158x403x144 mm
 - 2.12 KG
 - Support 12 KG



- 646x861x953.5 mm
 - 8.57 KG
 - Support 30 KG



- 423x403x240 mm
 - 1.91 KG
 - Support 12 KG



- 1300x403x307 mm
 - 5.3 KG
 - Support 8 KG



- 715x393x144 mm
 - 3.68 KG
 - Support 12 KG

