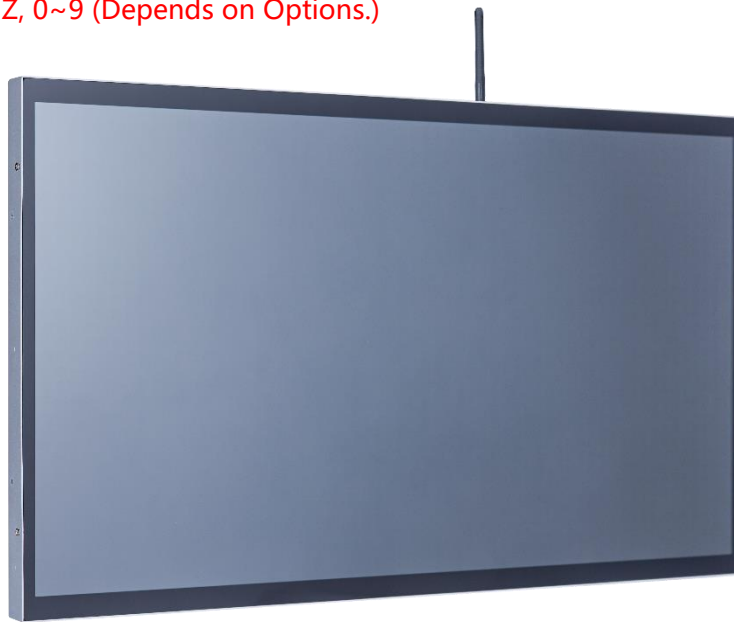


# Product Specifications

<b>Customer</b>	
<b>Model</b>	<b>NTAP215-6-Q2 V500</b>
<b>Model No.</b>	<b>NTAP215H<u>X6XX</u>-Q2A72F8-<u>XXFX</u>-500</b>

\* X = A~Z, 0~9 (Depends on Options.)



Records of Revision			
Vision	Modifying	Old Description	New Description
v2407.1	Preliminary specification		

# Nextech P Series 21.5" Android All-in-one Industrial Touch PC

**NTAP215-6-Q2 V500**

## Features

- ★ 21.5 inch Industrial Grade Panel, 1920x1080 (FHD) Resolution
- ★ 1500nits High Brightness
- ★ Wide Viewing Angle Technology , 178°/178°
- ★ Rock Chip ARM Cortex A17 RK3288 Quad-Core 1.8GHz CPU
- ★ On Board DDR3 2G Memory
- ★ On Board 8G Flash ROM (Max. upgraded to 32G)
- ★ Micro SD Card Slot x1 (Max. to 64G)
- ★ Android 10.0
- ★ Narrow Bezel, True Flat Projected Capacitive Touch Screen
- ★ 7H Hardness Tempered Cover Glass
- ★ 10 points Multi-touch, Supports NEXTECH Dedicated Stylus
- ★ Metal Cabinet with Diverse Combine Options
- ★ Made in Taiwan, 3 Years Warranty, Designed for Harsh Environments
- ★ Optional Anti-Glare &UV/Antibacterial/Privacy Filter Surface Treatment



PSE



BSMI



RoHS



CE



ISO9001



FCC



Desktop Stand



Wall Mounting



Open-frame Brackets



Panel Mount

## System Specifications

CPU	Rock Chip ARM Cortex A17 RK3288 Quad-Core 1.8GHz
Memory	DDR3 2G
Storage	8G Flash ROM (Max. to 32G)
GPU Chip	Mali T764 GPU
Sound Chip	ES8316 2 Channel HD Audio
Physical Network	1x GbE Lan port (RJ45)
Wireless Network	IEEE 802.11b/g/n 2.4G WIFI and Blue Tooth v2.1+EDR/V3.0/V3.0+HS/V4.0
OS	Android 10.0

## Display Specifications

Screen Diagonal	21.5 inch	Display Mode	Normally Black
Display Area	476.6x268.1 mm	Backlight Unit	LED (white LED)
Resolution	1920x1080 (FHD)	Viewing Angle (L/R, U/D)	178°/178° (CR=10)
Contrast Ratio	1000:1	Response Time	14 msec.
Display Ratio	16:9	Backlight Lifetime	>30,000 Hours
Support Colors	16.7M Colors	Operating Temp.	-20~70°C
Pixel Pitch	0.24825x0.24825 mm	Storage Temp.	-30~80°C
Brightness	1500nits		

## Touch Options

Touch Screen		
	Description	Model Name
<b>Standard</b>	<b>Projected Capacitive Touch</b>	<b>NTAP215H<u>P</u>6XX-Q2A72F8-<u>XXFX</u>-500</b>
Option 1	Resistive Touch	NTAP215H <u>5</u> 6XX-Q2A72F8- <u>XXFX</u> -500
Option 2	Non-Touch	NTAP215H <u>0</u> 6XX-Q2A72F8- <u>XXFX</u> -500

### Projected Capacitive

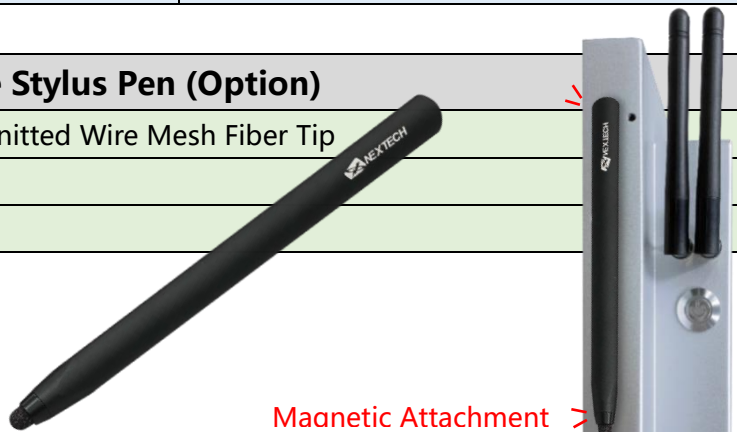
Touch Technology	Projected Capacitive	Thickness of Cover Lens	2.0±0.2mm
Allowed Touch Points	10 points	Hardness of Cover Lens	7H
Transparency	≥87%	IK Ratings	IK07
Accuracy	99.00%		

### Resistive Touch

Touch Technology	Resistive Touch	Transparency	80%±5%
Allowed Touch Points	1 point	Surface Treatment	Anti-glare<15%
Precision	98.50%	Hardness	≥3H

Surface Treatment		
	Description	Model Name
<b>Standard</b>	<b>(none)</b>	<b>NTAP215HX<u>600</u>-Q2A72F8-<u>XXFX</u>-500</b>
Option 1	Anti-Glare &UV Coating	NTAP215HX <u>6GG</u> -Q2A72F8- <u>XXFX</u> -500
Option 2	Antibacterial (AB Film)	NTAP215HX <u>6AB</u> -Q2A72F8- <u>XXFX</u> -500
Option 3	Anti-Spy (AS Film)	NTAP215HX <u>6SF</u> -Q2A72F8- <u>XXFX</u> -500

Passive Stylus Pen (Option)	
Technology	Passive High Sensitive Knitted Wire Mesh Fiber Tip
Size of tip	6mm
Magnetic Attachment	Yes



Magnetic Attachment >

## System Options

Material of Cabinet		
	Description	Model Name
<b>Standard</b>	<b>SECC</b>	<b>NTAP215HX6XX-Q2A72F8-<u>S</u>FX-500</b>
Option 1	Stainless Steel	NTAP215HX6XX-Q2A72F8- <u>L</u> FX-500
Option 2	Aluminum	NTAP215HX6XX-Q2A72F8- <u>A</u> FX-500

Color of Cabinet		
	Description	Model Name
<b>Standard</b>	<b>Silver</b>	<b>NTAP215HX6XX-Q2A72F8-<u>X</u>SFX-500</b>
Option 1	White	NTAP215HX6XX-Q2A72F8- <u>X</u> WFX-500
Option 2	Black	NTAP215HX6XX-Q2A72F8- <u>X</u> BFX-500
Options	Other Color	NTAP215HX6XX-Q2A72F8- <u>X</u> FX-500

\* X = A~Z, 0~9 (Depends on Color)

Power Input		
	Description	Model Name
<b>Standard</b>	<b>12VDC-in, with AC/DC Adapter</b>	<b>NTAP215HX6XX-Q2A72F8-<u>XX</u>F<u>2</u>-500</b>
Option	100~240V AC, C14 AC Power Socket	NTAP215HX6XX-Q2A72F8- <u>XX</u> F <u>A</u> -500

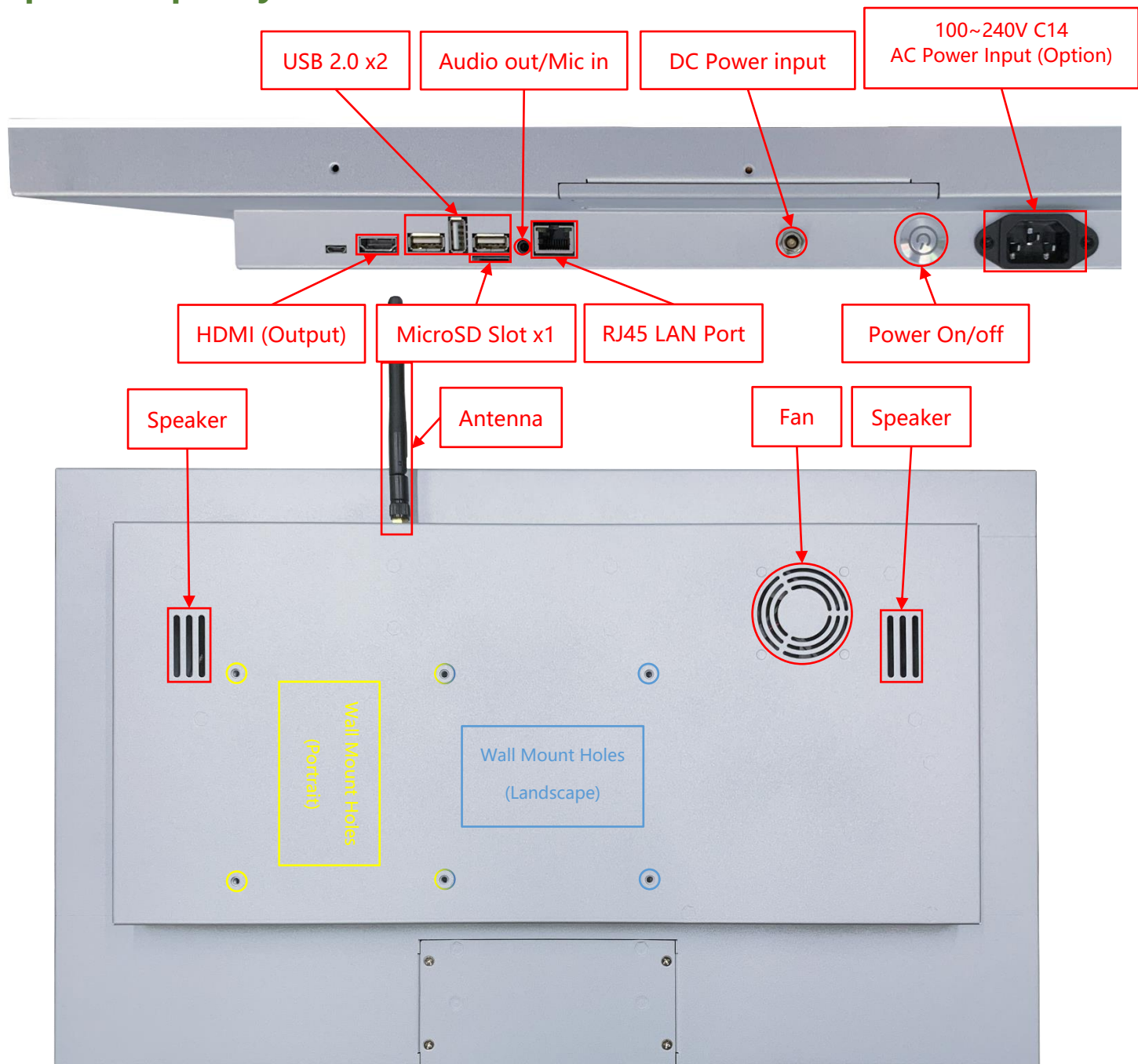


DC-in



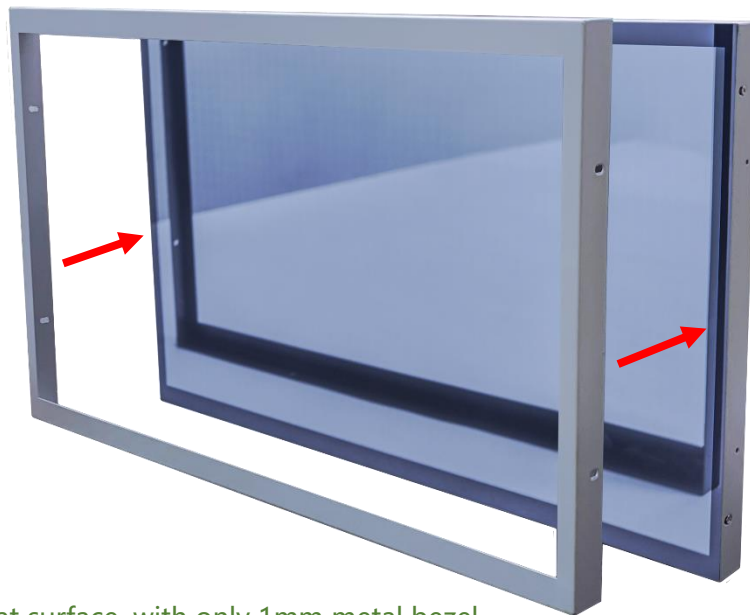
AC-in

## Input /Output System



Input / Output	Connectors	Input / Output	Connectors
HDMI (Output)	1	USB 2.0	3
Audio Output /Mic Input (3.5mm)	1	MicroSD Card Slot	1
DC Power Input	1	LAN (RJ45)	1
AC Power Input	Option	Wi-Fi/Bluetooth & Antenna	1
Speakers	2W x2		

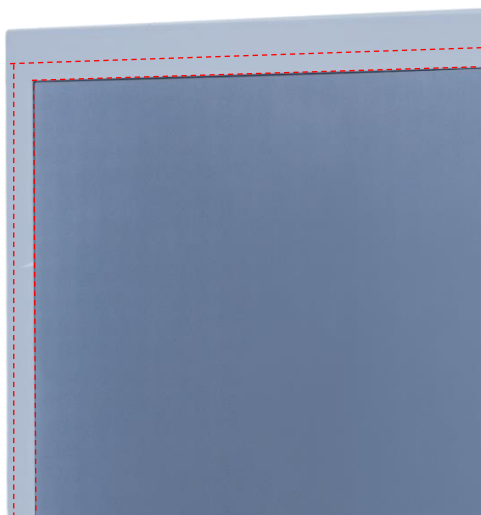
## Front Cover (Option)



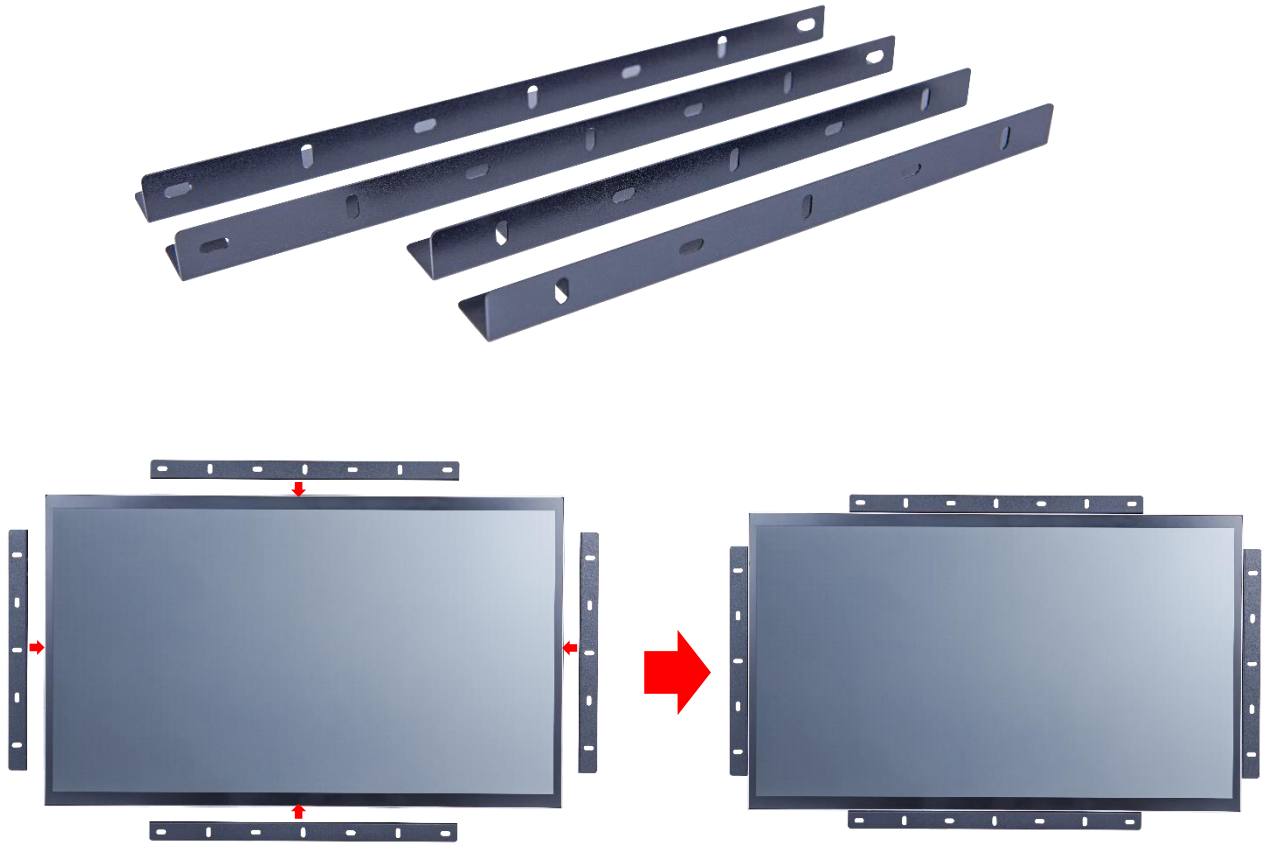
The standard **NTAP215** is true flat surface, with only 1mm metal bezel.  
To protect the corners of the touch screen, the **Front Cover** can be added.



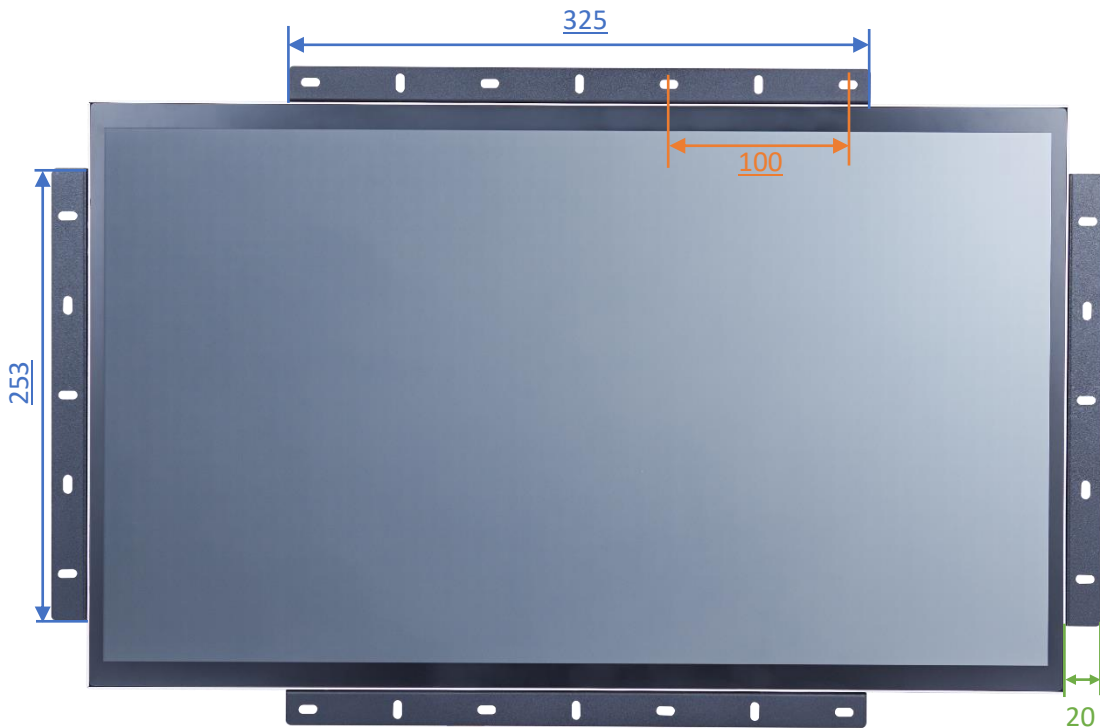
The watertight gasket can be added between the **Front Cover** and **NTAP215**.  
It complies **IP65** on front.



## Open-frame Brackets (Option)



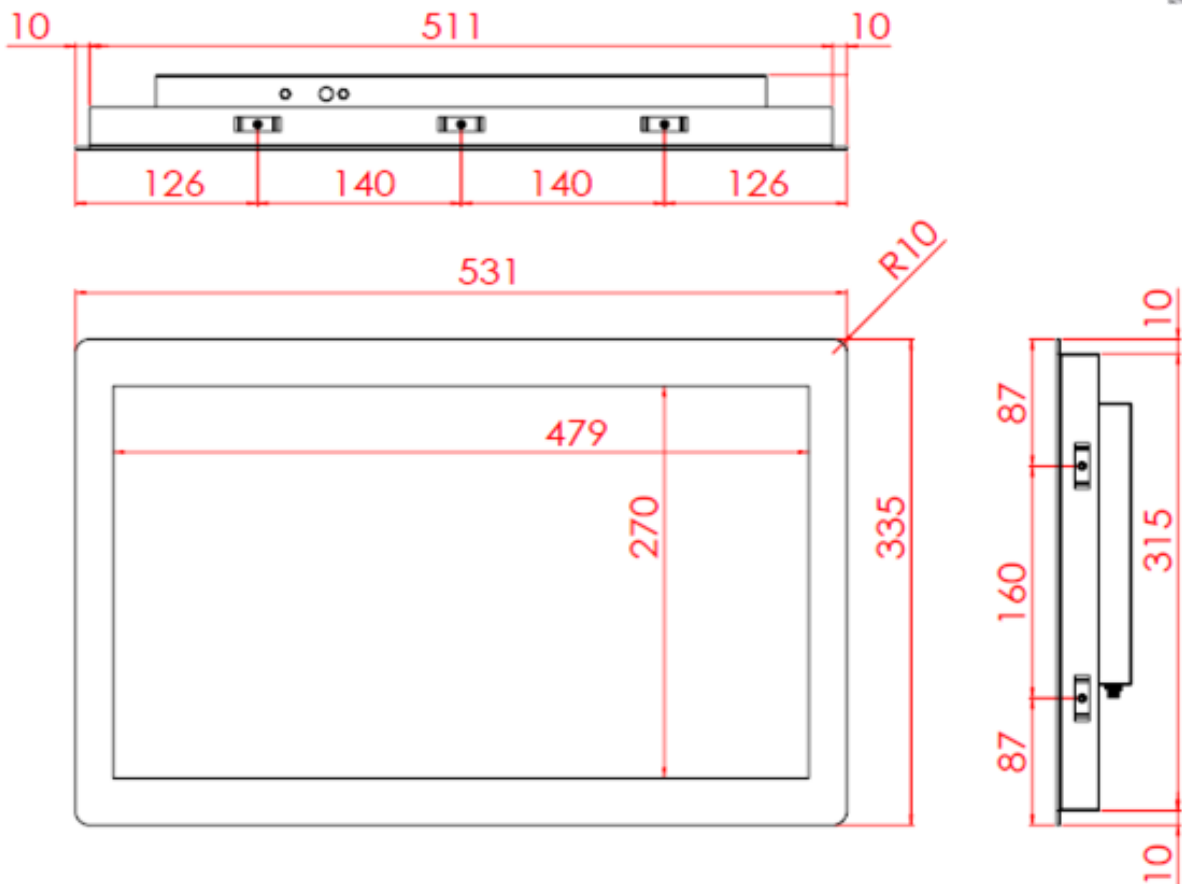
### Dimension for Installing with Open-frame Brackets



### Panel Mount Kits (Option)

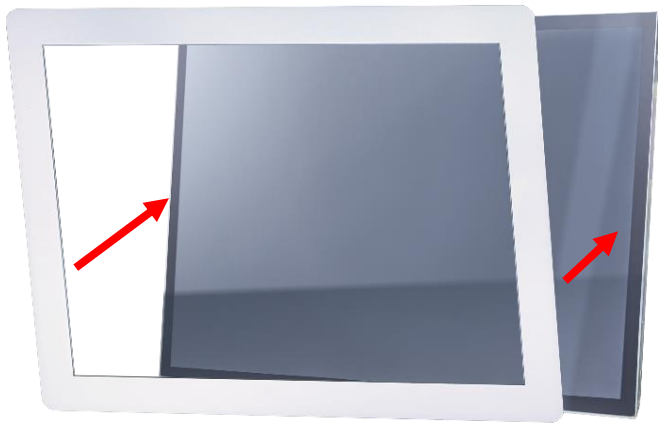


### Dimension for Installing with Panel Mount Kits

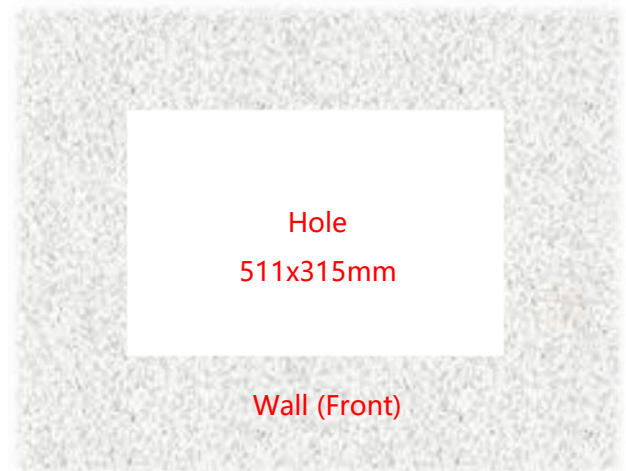


# Nextech P Series 21.5" Android All-in-one Industrial Touch PC

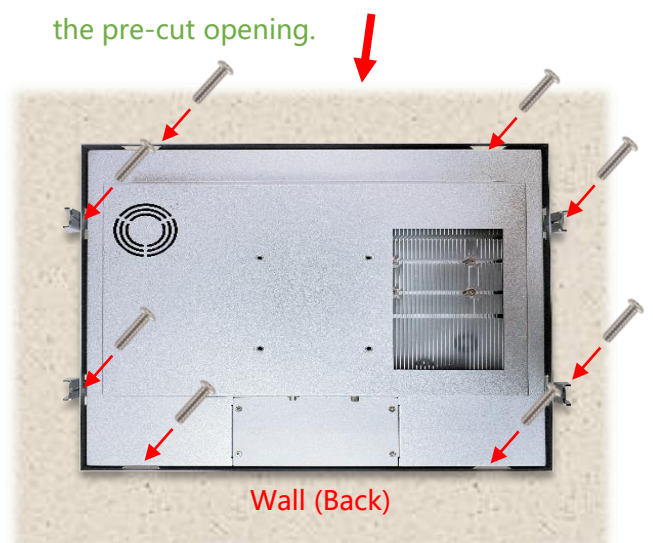
**NTAP215-6-Q2 V500**



Step 1: Assemble the front module with the screen body. (This step is pre-assembled at the factory.)



Step 2: Insert the screen from the front into the pre-cut opening.



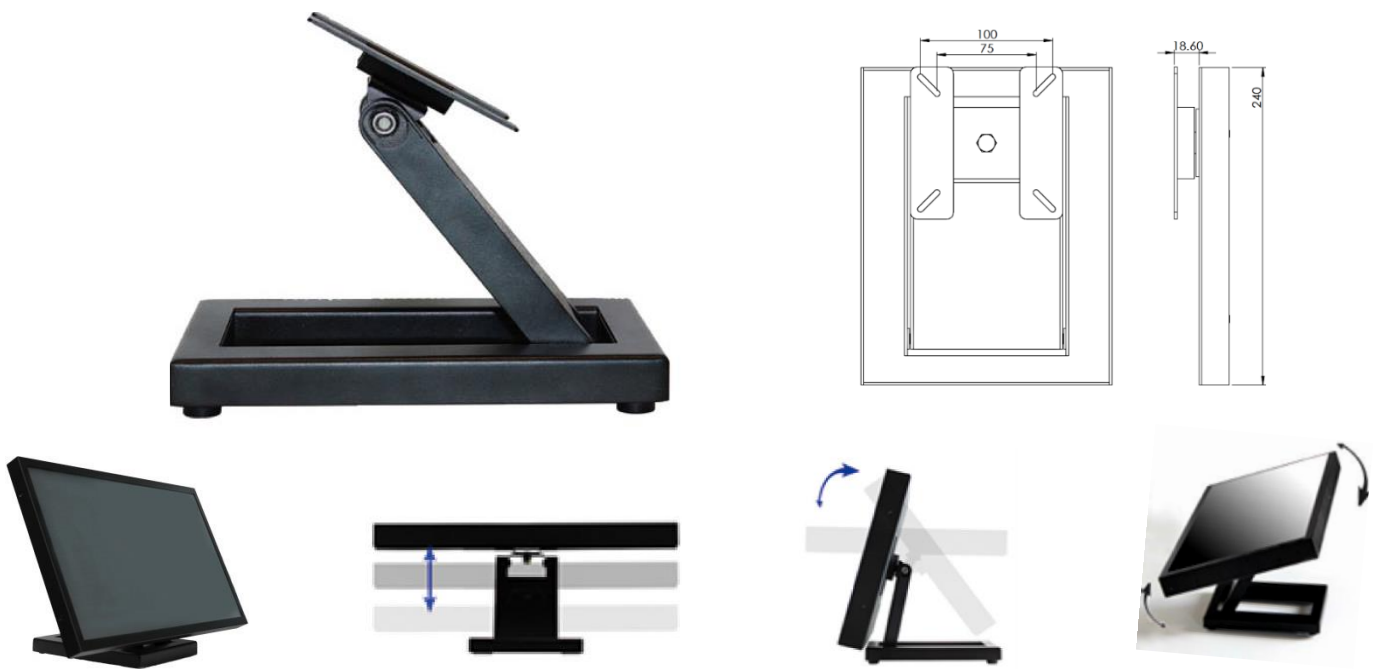
Step 3: Attach the clips from the back and secure with screws. (Up to 10 clips can be installed as needed or per positional limitations.)

### Desktop Stand (Option)

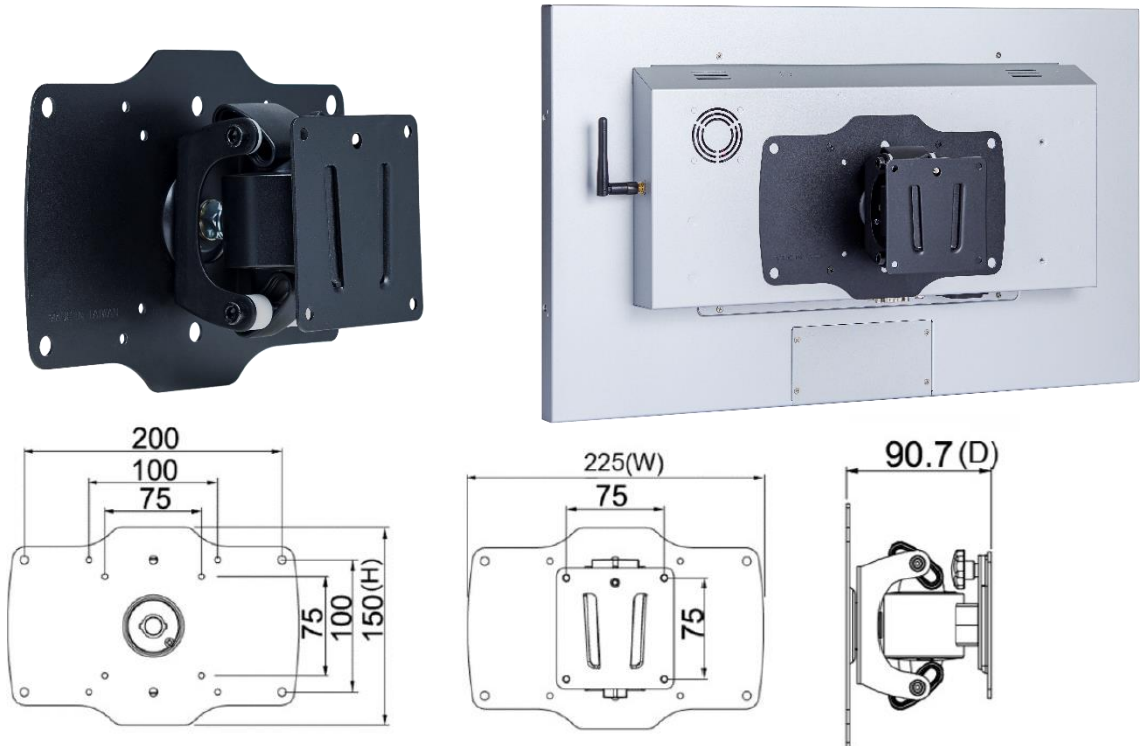
Item	B Stand	Part No.	DST-0B002/DST-1B002
Mounting Pattern	100x100 / 75x75 mm	Dimension (WxHxD)	203x275x227 mm
Material	Steel/Plastic/Aluminum	Net Weight	1.8 KG
Tilt (Hinge)	-2° ~ +180°	Support Max. Weight	15 KG



Item	Z Stand	Part No.	DST-0BZ01/DST-1BZ01
Mounting Pattern	100x100 / 75x75 mm	Dimension (WxHxD)	190x240x41.6
Material	SECC	Net Weight	2.6 KG
Tilt (Hinge)	±360°	Support Max. Weight	15 KG



## Wall Mount Bracket (Option)



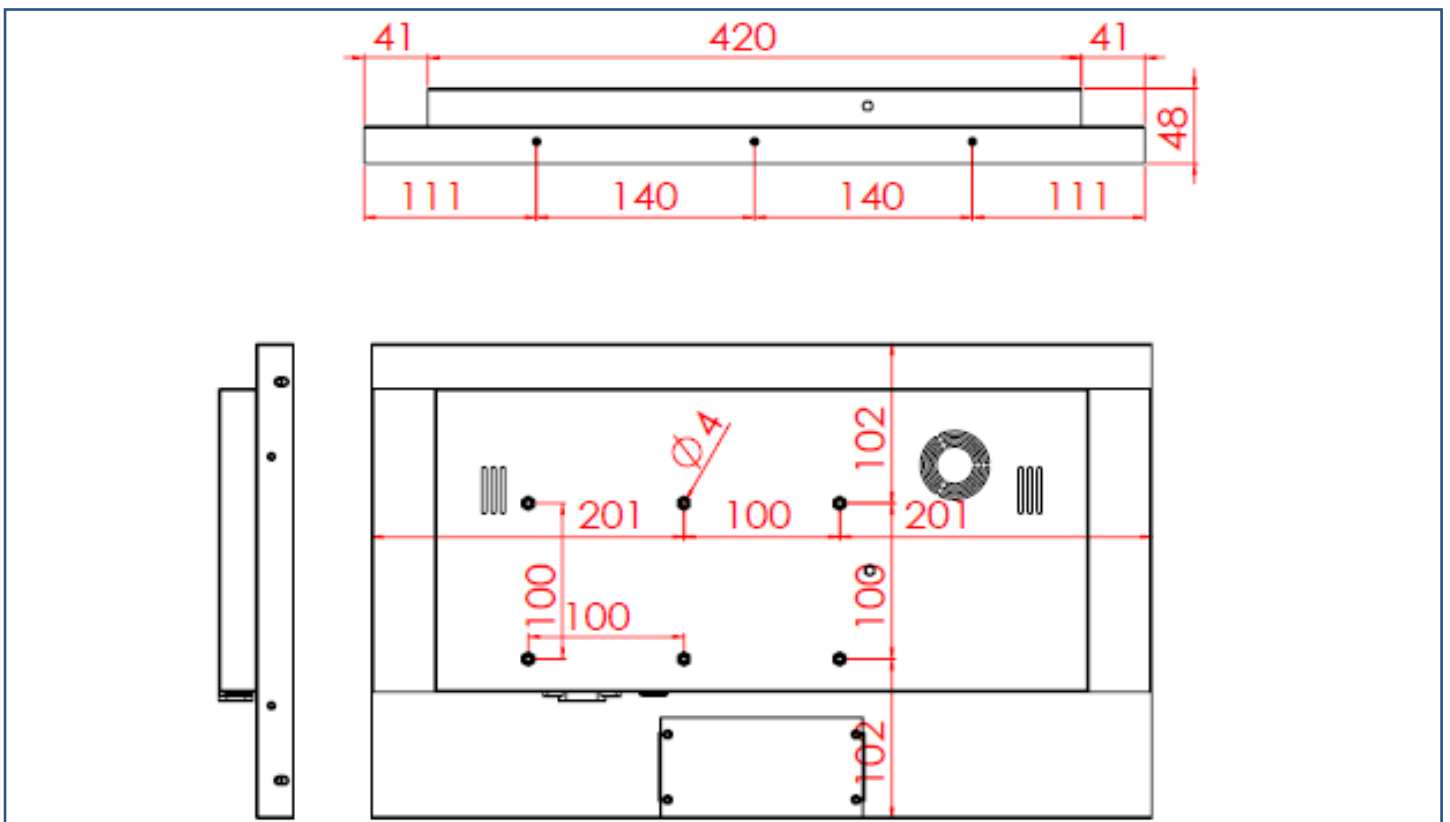
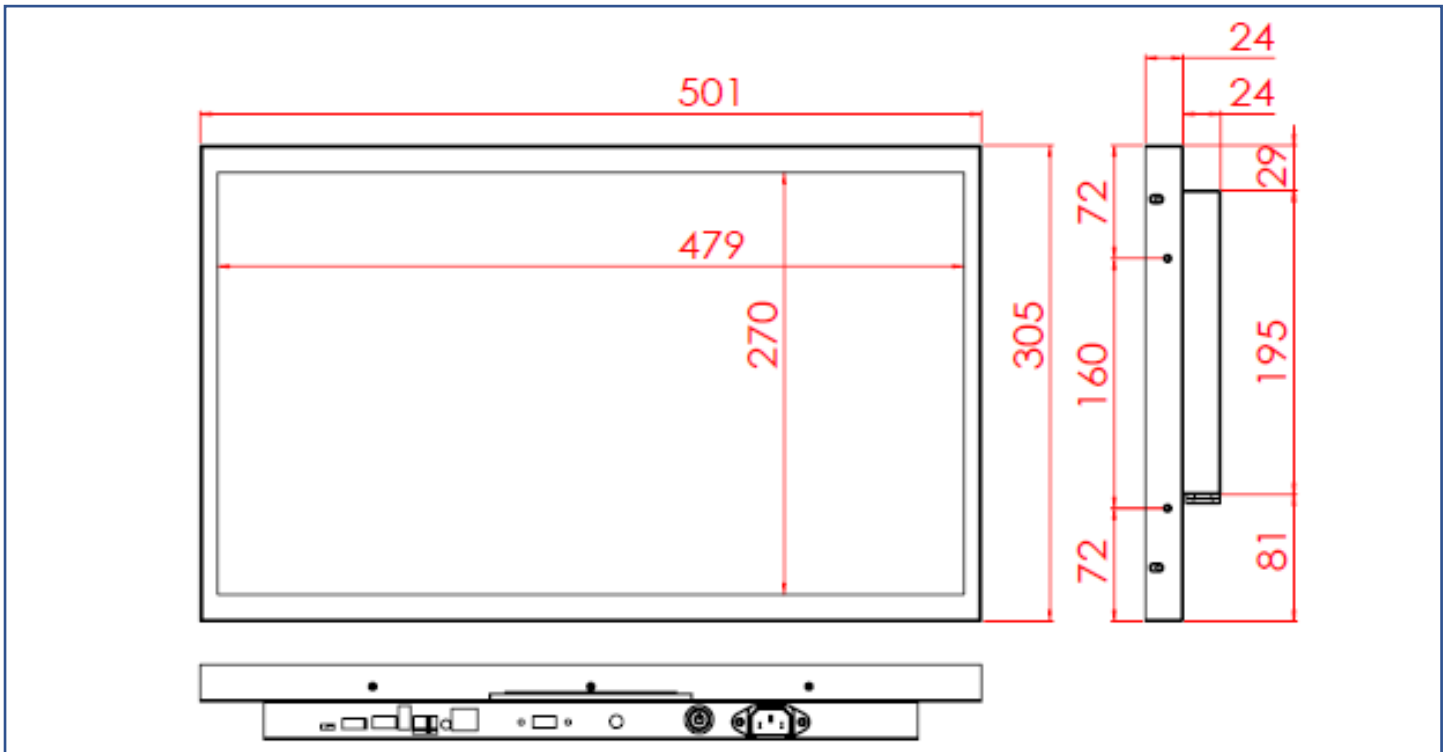
## Packing Information



Unit Carton Size	<b>670x155x445 mm</b>
Unit N. Weight	<b>≤5.1 KG</b>
Unit G. Weight	<b>≤7.2 KG</b>
Units per Pallet	<b>30 units</b>
Pallet Size	<b>120x100x147 CM</b>

## Physical Specifications

Dimension	<b>501x305x48(±2)mm (W/O Antenna)</b>	Net Weight	<b>≤5.1 KG</b>
VESA Mounting	<b>100x100 mm</b>	Gross Weight	<b>≤7.2 KG</b>



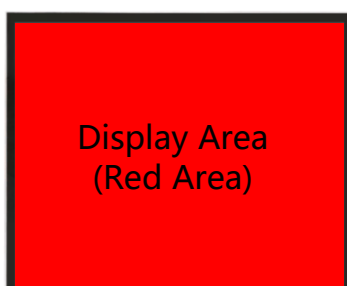
## Cosmetic Inspection Standard

Display Area Allowance			
Defect description	Defective Specifications	Allowance	Remarks
Dot Defect (including dark dot, particles, bubbles, pits, dust, foreign matter)	$D \leq 0.2\text{mm}$	Ignored	D=Diameter
	$0.2 < D \leq 0.7\text{mm}$	$N \leq 5$	N=Quantity
	$0.7 < D \leq 1\text{mm}$	$N \leq 3$	
	$D > 1\text{mm}$	$N \leq 0$	
Linear Defect (including scratches, fluff, particles)	$W \leq 0.15\text{mm}$	Ignored	W=Width
	$0.15 < W \leq 0.5\text{mm}, L \leq 15\text{mm}$	$N \leq 2$	L=Length
	$W > 0.5\text{mm}$ or $L > 15\text{mm}$	NG	

\* Visual inspection distance: 60cm, 90 degree (same for front/side/back)

Front Appearance Allowance (Including Coating)			
Defect description	Defective Specifications	Allowance	Remarks
Dot Defect (including particles, bubbles, pits...etc.)	$D \leq 0.7\text{mm}$	Ignored	D=Diameter
	$0.7 < D \leq 1.5\text{mm}$	$N \leq 3$	N=Quantity
	$D > 1.5\text{mm}$	$N \leq 0$	
Linear Defect (including scratches, fluff, particles)	$W \leq 0.2\text{mm}, L \leq 15\text{mm}$	Ignored	W=Width, L=Length
	$0.2 < W \leq 0.7\text{mm}, L \leq 15\text{mm}$	$N \leq 1$	
	$W > 0.7\text{mm}$ or $L > 15\text{mm}$	NG	

Side / Back Appearance Allowance (Including Coating)			
Defect description	Defective Specifications	Allowance	Remarks
Dot Defect (including particles, bubbles, pits...etc.)	$D \leq 1.5\text{mm}$	Ignored	D=Diameter
	$1.5 < D \leq 3\text{mm}$	$N \leq 8$	N=Quantity
	$D > 3\text{mm}$	$N \leq 2$	
Linear Defect (including scratches, fluff, particles)	$W \leq 0.8\text{mm}, L \leq 15\text{mm}$	Ignored	W=Width, L=Length
	$0.8 < W \leq 1.5\text{mm}, L \leq 15\text{mm}$	$N \leq 5$	
	$W > 1.5\text{mm}$ or $L > 15\text{mm}$	NG	



Display Area  
(Red Area)



Front Appearance (Red Area)



Back Appearance