

# Product Specifications

<b>Customer</b>	
<b>Model</b>	<b>NTAP101 V100</b>
<b>Model No.</b>	<b>NTAP101N<u>X</u>S<u>XX</u>-J8A72F8-<u>XX</u>02-100</b>

\* X = A~Z, 0~9 (Depends on Options.)



Records of Revision			
Vision	Modifying	Old Description	New Description
v2101.1	Preliminary Specification		
<b>v2101.2</b>	<b>Replaced to high resolution photos.</b>		

### Features

- ★ 10.1" wide 16:10 ,1280x800 (WXGA) Resolution
- ★ AHVA Wide Viewing Angle Technology (178°/178°)
- ★ Operating Temperature Range -20~60°C
- ★ Rock Chip ARM Cortex A17 RK3288 Quad-Core 1.8GHz CPU
- ★ On Board DDR3-1333 2G RAM (Max. upgraded to 4G)
- ★ On Board 8G Flash ROM (Max. upgraded to 32G)
- ★ Micro SD Card Slot x1 (Max. to 64G)
- ★ Android 9.0
- ★ Narrow Bezel, True Flat Projected Capacitive Touch Screen
- ★ 7H Hardness Tempered Cover Glass
- ★ 10 points Multi-touch , Supports Active Stylus
- ★ Narrow Bezel, Metal Cabinet with Diverse Combine Options
- ★ Made in Taiwan, 3 Years Warranty, Designed for Harsh Environments
- ★ Optional Antibacterial/AG/AR/AF/AS Film



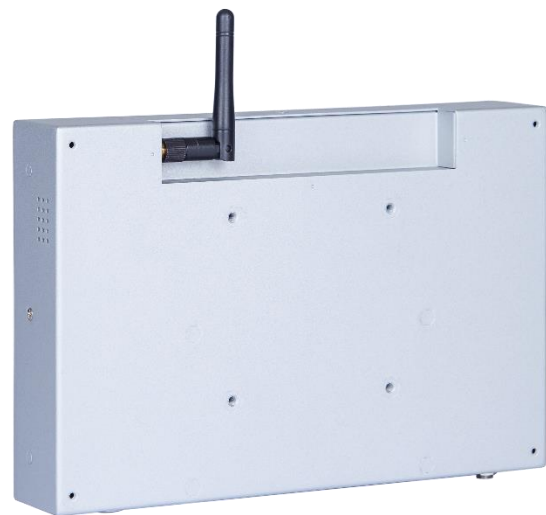
Desktop Stand



Wall Mounting



Open-frame Bracket



PSE



BSMI



FCC



CE



RoHS



ISO9001



## System Specifications

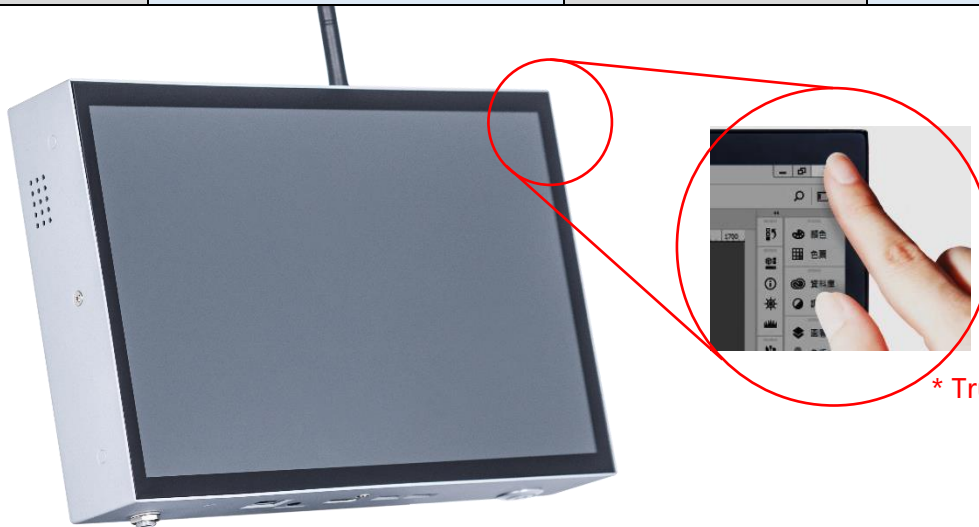
CPU	Rock Chip ARM Cortex A17 RK3288 Quad-Core 1.8GHz
Memory	DDR3-1333 2G
Storage	8G Flash ROM (Max. to 32G)
GPU Chip	Mali T764 GPU
Sound Chip	ES8316 2 Channel HD Audio
Physical Network	Realtek RTL8211E-CB Gbe (RJ45)
Wireless Network	Realtek RTL8723BS 802.11b/g/n 2.4G WIFI and Blue Tooth v4.0
Hardware Monitoring	RJ45 10/100 Mbps, WIFI 802.11b/g/n
OS	Android 9.0
Power Input	12VDC-in(2.1φ), with12V/7.4A adapter

## Display Specifications

Screen Diagonal	10.1 inch	Display Mode	AHVA Type, Normally Black
Display Area	216.96x135.6 mm	Backlight Unit	LED (white LED)
Resolution	1280x800	Response Time	29 msec. (Typ.)
Contrast Ratio	800:1	Viewing Angle (L/R, U/D)	178°/178°
Display Ratio	16:10	Backlight Lifetime	>30,000 HRS
Support Color	16.7M Colors	Operating Temp.	-20~60°C
Pixel Pitch	0.1695x0.1695 mm	Storage Temp.	-20~60°C
Brightness	400nits	Surface Treatment	Hard Coating

### Touch Options

Projected Capacitive			
Model Name	NTAP101N <u>P</u> SXX-J8A72F8- <u>XX</u> 02-100		
Touch Technology	Projected Capacitive	Thickness of Cover Lens	1.1±0.2mm
Allowed Touch Points	10 points	Hardness of Cover Lens	7H
Transparency	≥87%	IK Ratings	IK07
Accuracy	99.00%		



\* True Flat, 1mm Bezel

Non-Touch	
Model Name	NTAP101N <u>0</u> SXX-J8A72F8- <u>XX</u> 02-100

Surface Film Options		
	Description	Model Name
<b>Standard</b>	<b>(none)</b>	<b>NTAP101NXS<u>00</u>-J8A72F8-<u>XX</u>02-100</b>
Option	Anti-Glare Coating	NTAP101NXS <u>GG</u> -J8A72F8- <u>XX</u> 02-100
Option	Antibacterial (AB Film)	NTAP101NXS <u>AB</u> -J8A72F8- <u>XX</u> 02-100
Option	Anti-Glare +UV-Cut (AG+UV Film)	NTAP101NXS <u>GU</u> -J8A72F8- <u>XX</u> 02-100
Option	Anti-Glare +Fouling/Fingerprint (AG+AFP Film)	NTAP101NXS <u>GP</u> -J8A72F8- <u>XX</u> 02-100
Option	Anti-Reflective +Fouling/Fingerprint (AR+AFP Film)	NTAP101NXS <u>RP</u> -J8A72F8- <u>XX</u> 02-100
Option	Anti-Glare +Reflective +Fouling/Fingerprint (AG+AR+AFP Film)	NTAP101NXS <u>GR</u> -J8A72F8- <u>XX</u> 02-100
Option	Anti-Spy (AS Film)	NTAP101NXS <u>SF</u> -J8A72F8- <u>XX</u> 02-100

### System Options

Material of Cabinet		
	Description	Model Name
<b>Standard</b>	<b>SECC</b>	<b>NTAP101NXSXX-J8A72F8-<u>S</u>X02-100</b>
Option 1	Stainless Steel	NTAP101NXSXX-J8A72F8- <u>L</u> X02-100
Option 2	Aluminum	NTAP101NXSXX-J8A72F8- <u>A</u> X02-100

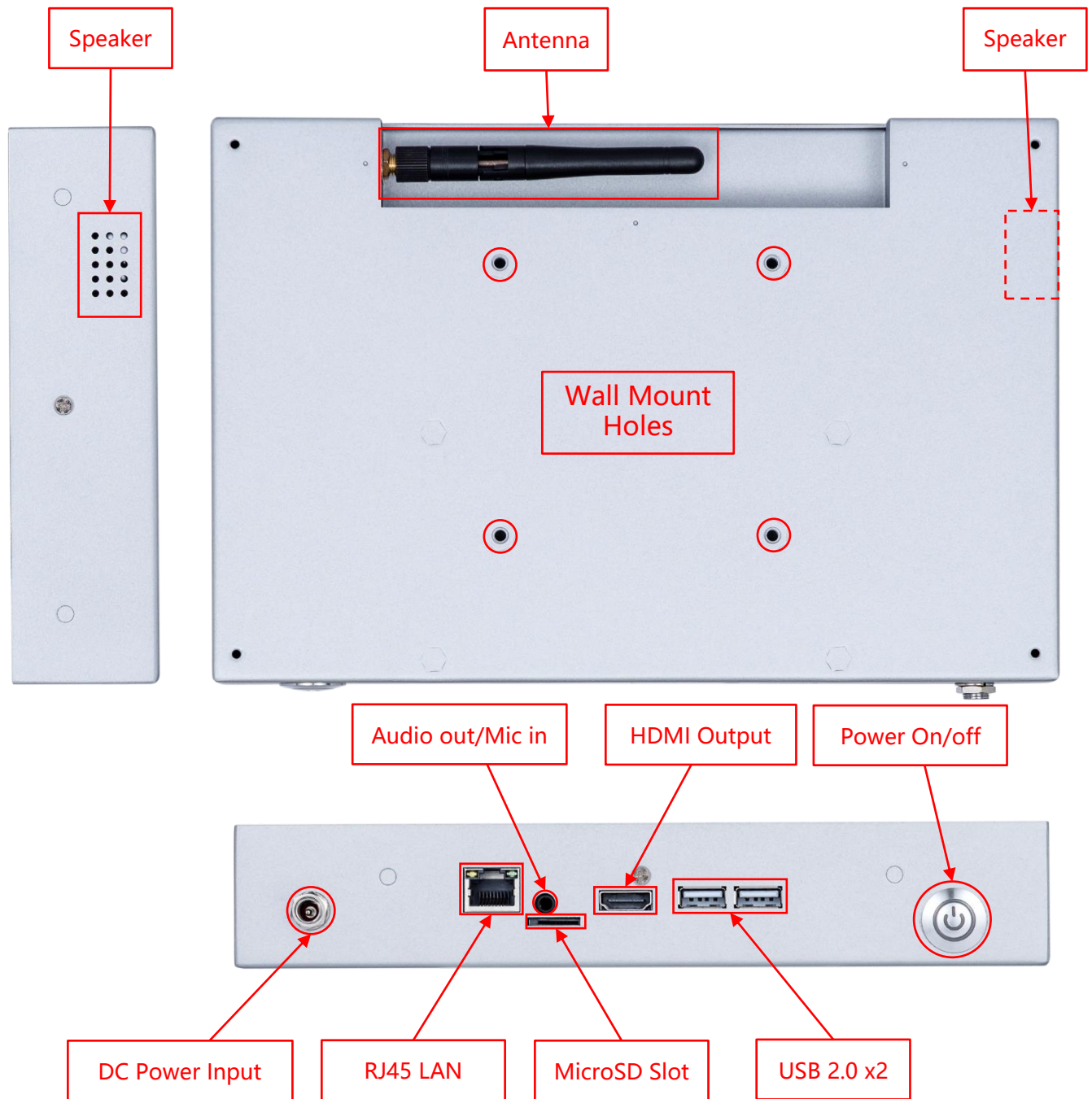
Color of Cabinet		
	Description	Model Name
<b>Standard</b>	<b>Silver</b>	<b>NTAP101NXSXX-J8A72F8-<u>X</u>S02-100</b>
Option 1	White	NTAP101NXSXX-J8A72F8- <u>X</u> W02-100
Option 2	Black	NTAP101NXSXX-J8A72F8- <u>X</u> B02-100
Options	Other Color	NTAP101NXSXX-J8A72F8- <u>X</u> X02-100

\* X = A~Z, 0~9 (Depends on Color)

Active Stylus Option	
Technology	Active Capacitive Coupled
Working Frequencies	90~250 KHZ
Pressure Level	256~1024 Levels
Side Buttons	2 Side Buttons (Eraser, Barrel)
Active Tip Force	5~25g
Max. Tip Force	400g



## Input /Output System



Input / Output	Connectors	Input / Output	Connectors
HDMI (Output)	1	USB 2.0	2
Audio Output /Mic Input (3.5mm)	1	MicroSD Card Slot	1
DC Power Input	1	LAN (RJ45)	1
Speakers	1W x2	Wi-Fi & Antenna	1

### Desktop Stand (Option)

Item	L Stand	Part No.	DST-0B004/DST-1B004
Mounting Pattern	100x100 / 75x75 mm	Dimension (WxHxD)	194x194x222 mm
Material	SECC	Net Weight	1.4 KG
Tilt (Hinge)	105°	Support Max. Weight	15 KG



Item	B Stand	Part No.	DST-0B002/DST-1B002
Mounting Pattern	100x100 / 75x75 mm	Dimension (WxHxD)	203x275x227 mm
Material	Steel/Plastic/Aluminum	Net Weight	1.8 KG
Tilt (Hinge)	-2° ~ +180°	Support Max. Weight	15 KG

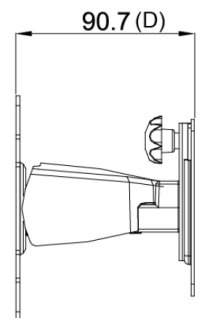
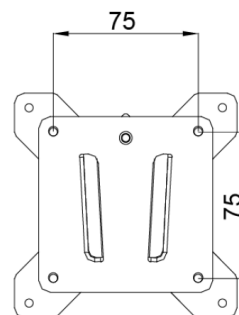
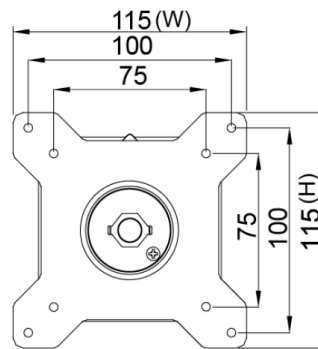
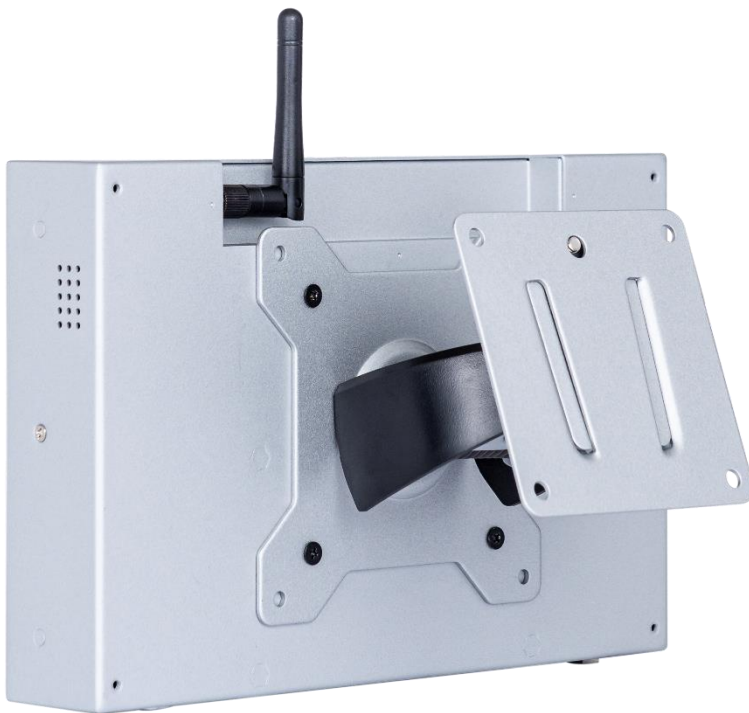


### Desktop Stand (Option)

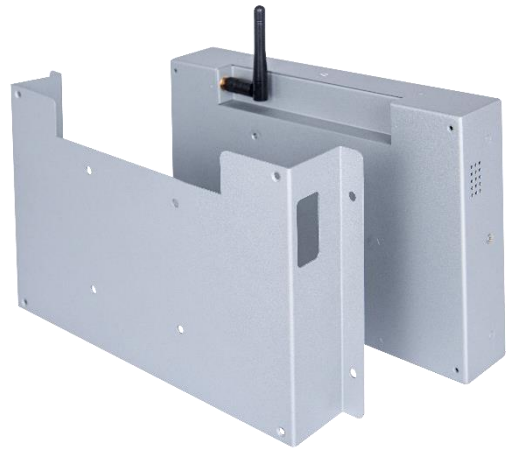
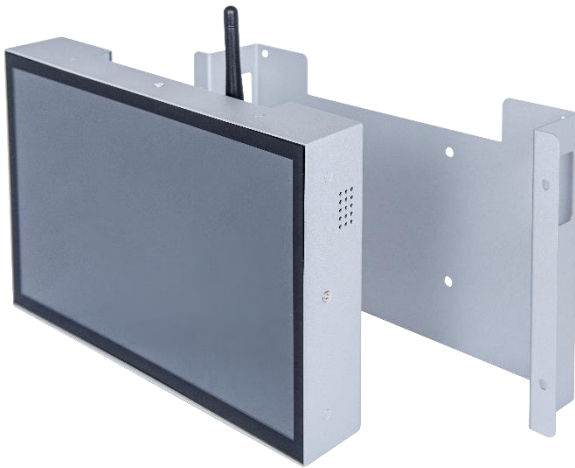
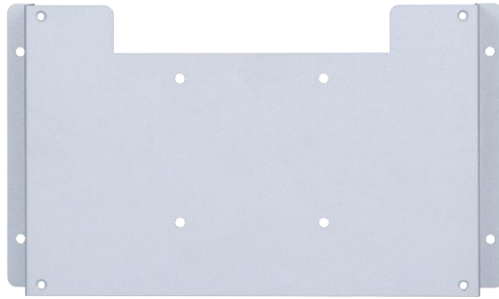
Item	Z Stand	Part No.	DST-0BZ01/DST-1BZ01
Mounting Pattern	100x100 / 75x75 mm	Dimension (WxHxD)	190x240x41.6
Material	SECC	Net Weight	2.6 KG
Tilt (Hinge)	±360°	Support Max. Weight	15 KG



### Wall Mount Bracket (Option)

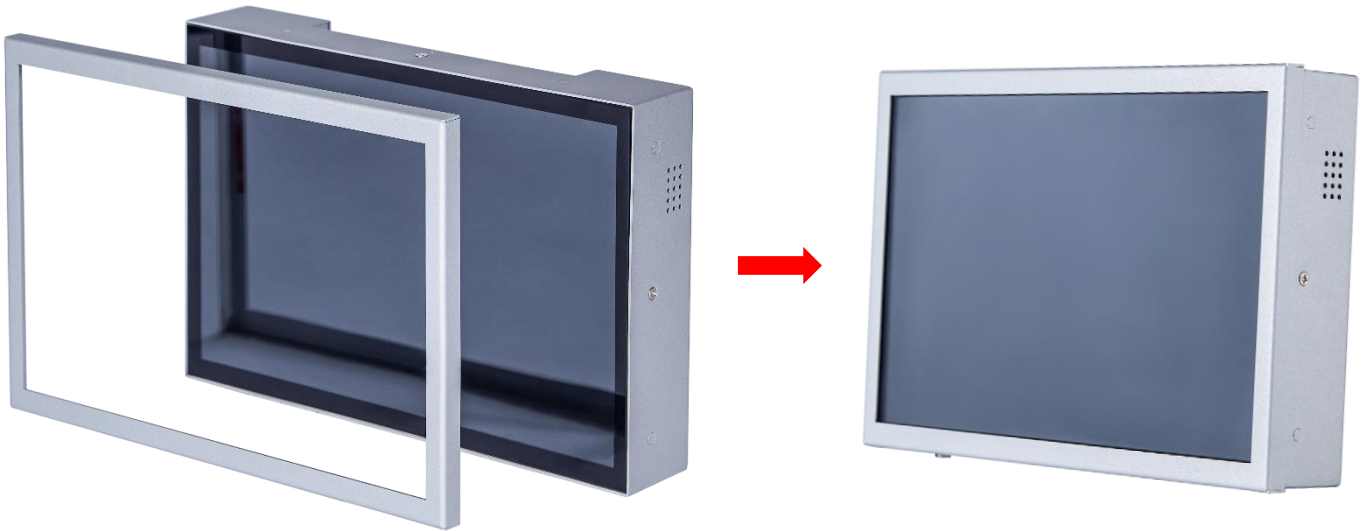


### Open-frame Bracket (Option)

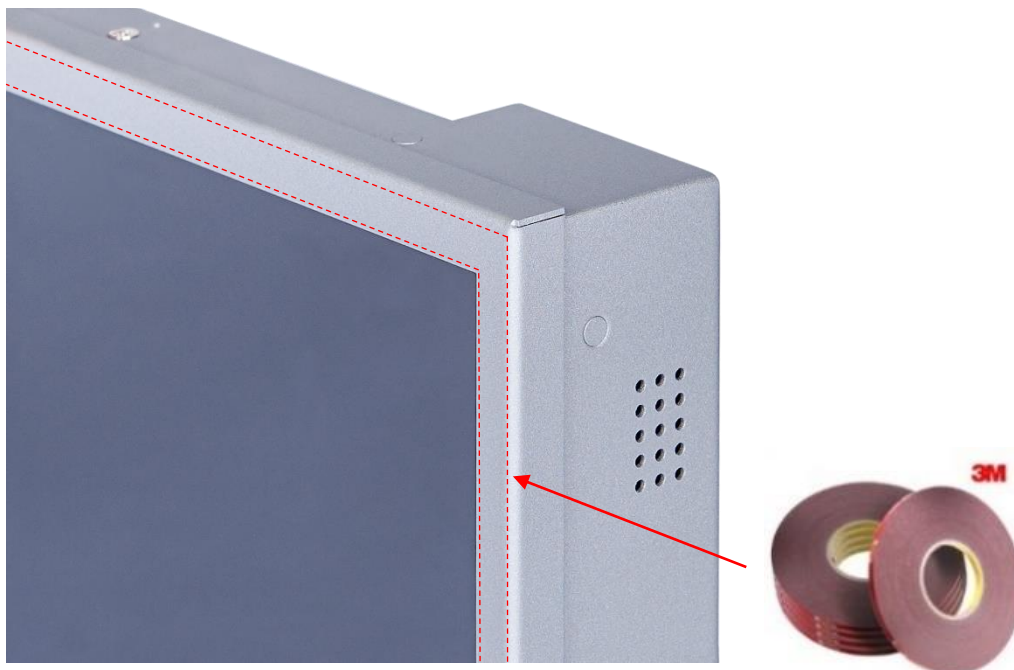


## Front Cover (Option)

The standard **NTAP101** is true flat surface, with only 1mm metal bezel  
To protect the corners of the touch screen, the **Front Cover** can be added.

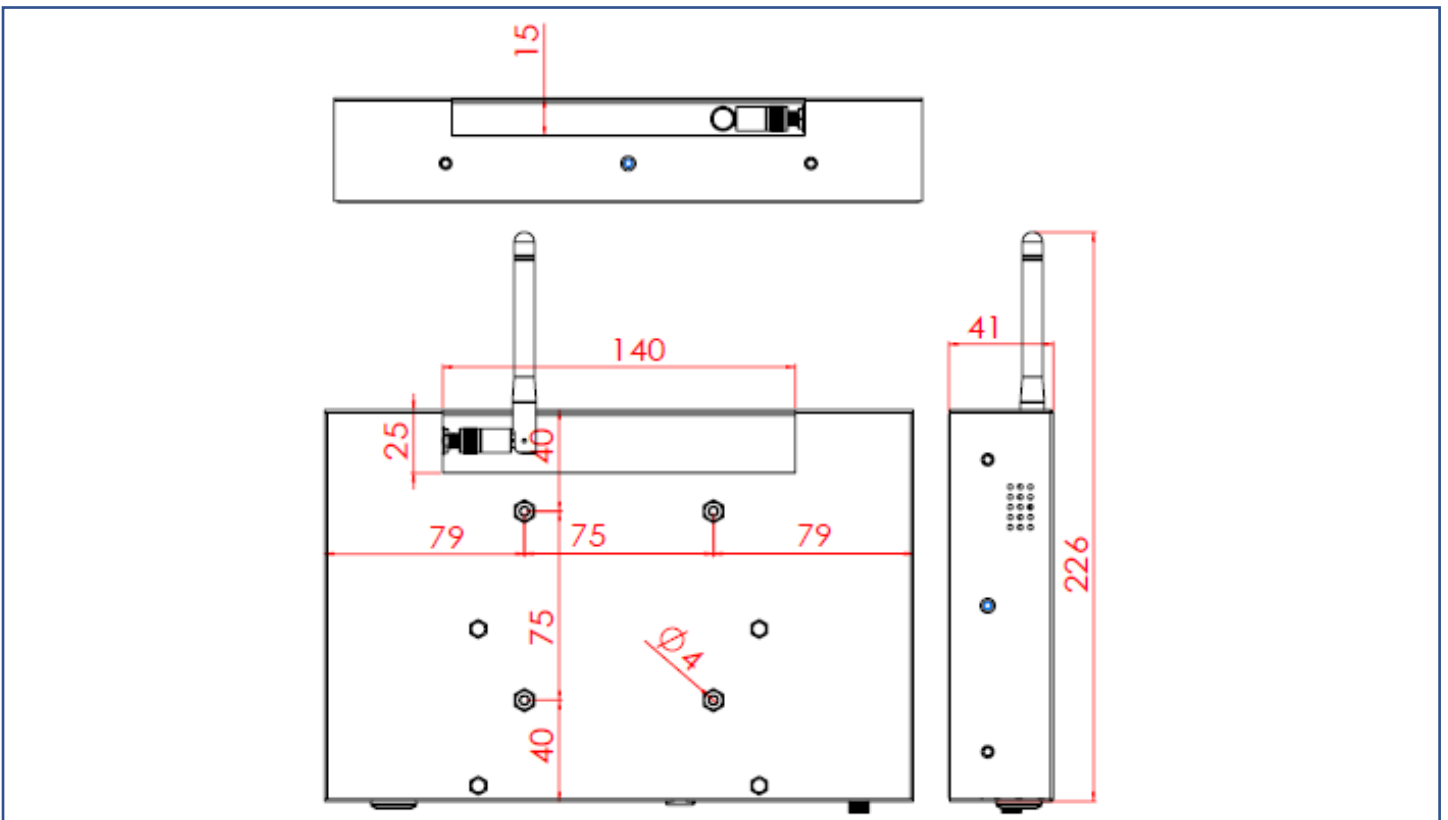
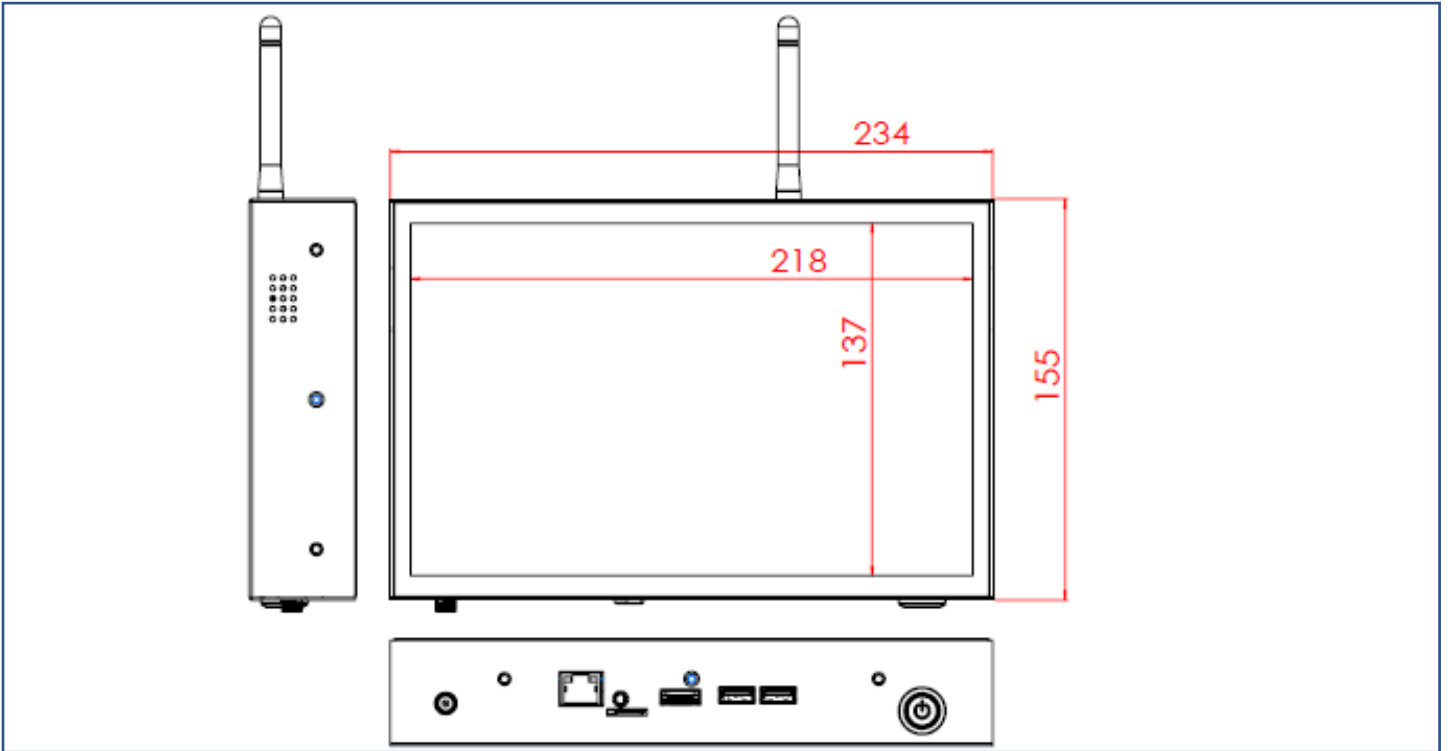


The watertight gasket can be added between the **Front Cover** and **NTAP101**.  
It complies **IP65** on front.



## Physical Specifications

Dimension	234x155x41(±2)mm (W/O Antenna)	Net Weight	≦1.4 KG
VESA Mounting	75x75 mm	Gross Weight	≦2.5 KG



## Packing Information



Dimensions of Carton	<b>390x320x90 mm</b>
Net Weight	<b>≤1.4 KG</b>
Gross Weight	<b>≤2.5 KG</b>

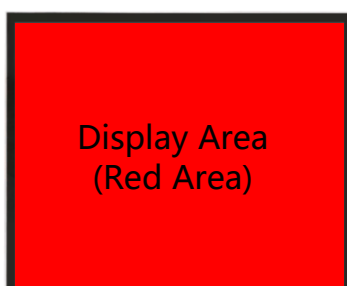
## Cosmetic Inspection Standard

Display Area Allowance			
Defect description	Defective Specifications	Allowance	Remarks
Dot Defect (including dark dot, particles, bubbles, pits, dust, foreign matter)	$D \leq 0.2\text{mm}$	Ignored	D=Diameter
	$0.2 < D \leq 0.7\text{mm}$	$N \leq 5$	N=Quantity
	$0.7 < D \leq 1\text{mm}$	$N \leq 3$	
	$D > 1\text{mm}$	$N \leq 0$	
Linear Defect (including scratches, fluff, particles)	$W \leq 0.15\text{mm}$	Ignored	W=Width
	$0.15 < W \leq 0.5\text{mm}, L \leq 15\text{mm}$	$N \leq 2$	L=Length
	$W > 0.5\text{mm}$ or $L > 15\text{mm}$	NG	

\* Visual inspection distance: 60cm, 90 degree (same for front/side/back)

Front Appearance Allowance (Including Coating)			
Defect description	Defective Specifications	Allowance	Remarks
Dot Defect (including particles, bubbles, pits...etc.)	$D \leq 0.7\text{mm}$	Ignored	D=Diameter
	$0.7 < D \leq 1.5\text{mm}$	$N \leq 3$	N=Quantity
	$D > 1.5\text{mm}$	$N \leq 0$	
Linear Defect (including scratches, fluff, particles)	$W \leq 0.2\text{mm}, L \leq 15\text{mm}$	Ignored	W=Width, L=Length
	$0.2 < W \leq 0.7\text{mm}, L \leq 15\text{mm}$	$N \leq 1$	
	$W > 0.7\text{mm}$ or $L > 15\text{mm}$	NG	

Side / Back Appearance Allowance (Including Coating)			
Defect description	Defective Specifications	Allowance	Remarks
Dot Defect (including particles, bubbles, pits...etc.)	$D \leq 1.5\text{mm}$	Ignored	D=Diameter
	$1.5 < D \leq 3\text{mm}$	$N \leq 8$	N=Quantity
	$D > 3\text{mm}$	$N \leq 2$	
Linear Defect (including scratches, fluff, particles)	$W \leq 0.8\text{mm}, L \leq 15\text{mm}$	Ignored	W=Width, L=Length
	$0.8 < W \leq 1.5\text{mm}, L \leq 15\text{mm}$	$N \leq 5$	
	$W > 1.5\text{mm}$ or $L > 15\text{mm}$	NG	



Display Area  
(Red Area)



Front Appearance (Red Area)



Back Appearance