

# Product Specifications

<b>Customer</b>	
<b>Model</b>	<b>NTAP240 V001</b>
<b>Model No.</b>	<b>NTAP240<u>XX</u>-2<u>XEXXA</u>2-001*</b>

\* X = A~Z, 0~9 (Depends on Options.)



Records of Revision			
Vision	Modifying	Old Description	New Description
v1908.1	Preliminary specification		
v1908.2	Dimensions/Outward Updated		
v1908.3	Replace the Wall Mount		
<b>v1908.4</b>	<b>Upgrade Android</b>	<b>Android 5.1</b>	<b>Android 9.0</b>

## Features

- ★ 24" , 16:9/1920x1080 (FHD) Resolution
- ★ Rock Chip ARM Cortex A53 RK3368 1.5GHz CPU
- ★ On Board DDR3-1333 2G RAM
- ★ On Board 8G Flash ROM (Max. upgraded to 32G)
- ★ Android 9.0
- ★ True Flat Projected Capacitive Touch Screen
- ★ 7H Hardness Tempered Cover Glass
- ★ 10 points Multi-touch , Supports Active Stylus
- ★ Metal Cabinet with Diverse Combine Options
- ★ Made in Taiwan, 3 Years Warranty
- ★ Optional High Brightness 1500nits, for Outdoor Environment
- ★ Optional Antibacterial/Anti-Glare/AR/AF/AS Surface Treatment



Desktop Stand



Side Brackets



Wall Mounting



PSE



BSMI



FCC



CE



RoHS



ISO9001



## System Specifications

CPU	<b>64bit Octa-core ARM CORTEX-A53 1.5GHz</b>
Memory	<b>DDR3 2G</b>
Storage	<b>eMMC 8G, Max. Support 32G</b>
GPU Chip	<b>PowerVR SXG6110</b>
Sound Chip	<b>Realtek ALC662 Audio CODEC</b>
Network	<b>RJ45 10/100 Mbps, WIFI 802.11b/g/n</b>
Power Input	<b>12V DC</b>

## Display Specifications

Screen Diagonal	<b>609.7mm (24.0 inch)</b>	Display Mode	<b>TN, Normally White</b>
Display Area	<b>531.36x298.89 mm</b>	Backlight Unit	<b>LED (white LED)</b>
Resolution	<b>1920x1080 (FHD)</b>	Viewing Angle (L/R, U/D)	<b>170°/160° (CR=10)</b>
Contrast Ratio	<b>1000:1</b>	Backlight Lifetime	<b>&gt;30,000 Hours</b>
Display Ratio	<b>16:9</b>	Operating Temp.	<b>0~50°C</b>
Support Colors	<b>16.7M Colors</b>	Storage Temp.	<b>-20~60°C</b>
Pixel Pitch	<b>276.75x276.75 um</b>	Surface Treatment	<b>AG Haze 40%, Hardness 3H</b>
Response Time	<b>5 msec.</b>		

## Display Options

<b>Brightness</b>			
	<b>Brightness</b>	<b>Environment</b>	<b>Model Name</b>
<b>Standard</b>	<b>250nits</b>	<b>General</b>	<b>NTAP240NX-2XEXXA2-001</b>
Option 1	1000nits	Outdoor Environment	NTAP240AX-2XEXXA2-011
Option 2	1500nits	Sunlight Readable	NTAP240FX-2XEXXA2-011

\* Check the data sheet [NTAP240 V011](#)

## Touch Options

Projected Capacitive			
Model Name	NTAP240XP-2XEXXA2-001		
Touch Technology	Projected Capacitive	Thickness of Cover Lens	2.9±0.2mm
Allowed Touch Points	10 points	Hardness of Cover Lens	7H
Transparency	≥87%	IK Ratings	IK07
Accuracy	99.00%		



Non-Touch	
Model Name	NTAP240X0-2XEXXA2-001



## System Options

Color of Cabinet		
	Description	Model Name
<b>Standard</b>	<b>Black</b>	<b>NTAP240XX-2BEXXA2-001</b>
Option 1	Silver	NTAP240XX-2SEXXA2-001
Option 2	White	NTAP240XX-2WEXXA2-001
Options	Other Color	NTAP240XX-2XEXXA2-001

\* X = A~Z, 0~9 (Depends on Color)

Material of Cabinet		
	Description	Model Name
<b>Standard</b>	<b>SECC</b>	<b>NTAP240XX-2XESXA2-001</b>
Option 1	Stainless Steel	NTAP240XX-2XELXA2-001
Option 2	Aluminum	NTAP240XX-2XEAXA2-001

Cooling Fan		
	Description	Model Name
<b>Standard</b>	<b>7 Blades/4000r.p.m/Max.10.96CFM</b>	<b>NTAP240XX-2XEXFA2-001</b>
Option	Fanless	NTAP240XX-2XEX0A2-001

### Other Options

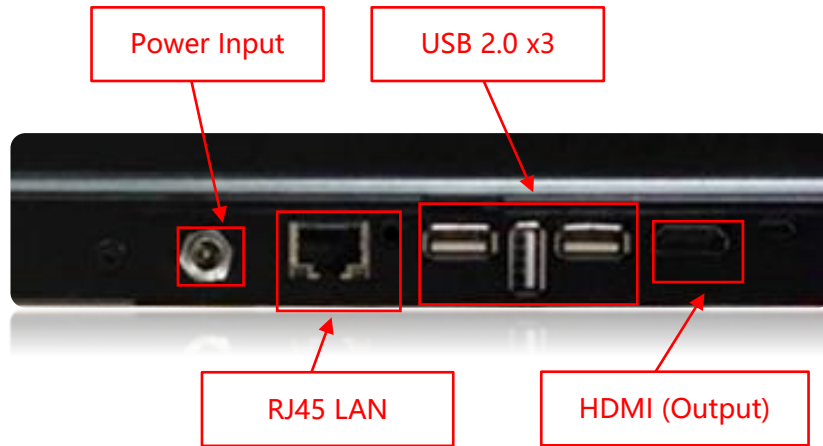
Active Stylus (Option)	
Technology	Active Capacitive Coupled
Working Frequencies	90~250 KHZ
Pressure Level	256~1024 Levels
Side Buttons	2 Side Buttons (Eraser, Barrel)
Active Tip Force	5~25g
Max. Tip Force	400g



Surface Treatment Options	
<b>Standard</b>	<b>(none)</b>
Option	Anti-Glare Coating
Option	Antibacterial (AB Film)
Option	Anti-Glare +UV-Cut (AG+UV Film)
Option	Anti-Glare +Fouling/Fingerprint (AG+AFP Film)
Option	Anti-Reflective +Fouling/Fingerprint (AR+AFP Film)
Option	Anti-Glare +Reflective +Fouling/Fingerprint (AG+AR+AFP Film)
Option	Anti-Spy (AS Film)

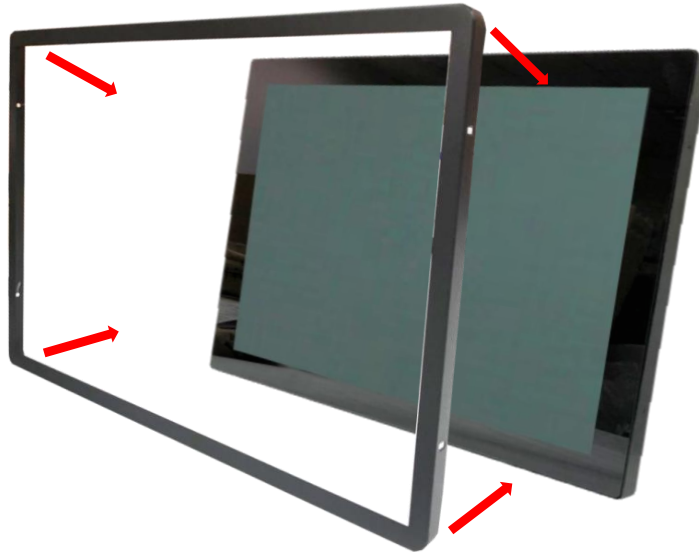


## Input /Output System



Input / Output	Connectors	Input / Output	Connectors
HDMI (Output)	1	DC Power Input	2
USB 2.0	3	Speakers	2W x2
LAN (RJ45)	1		

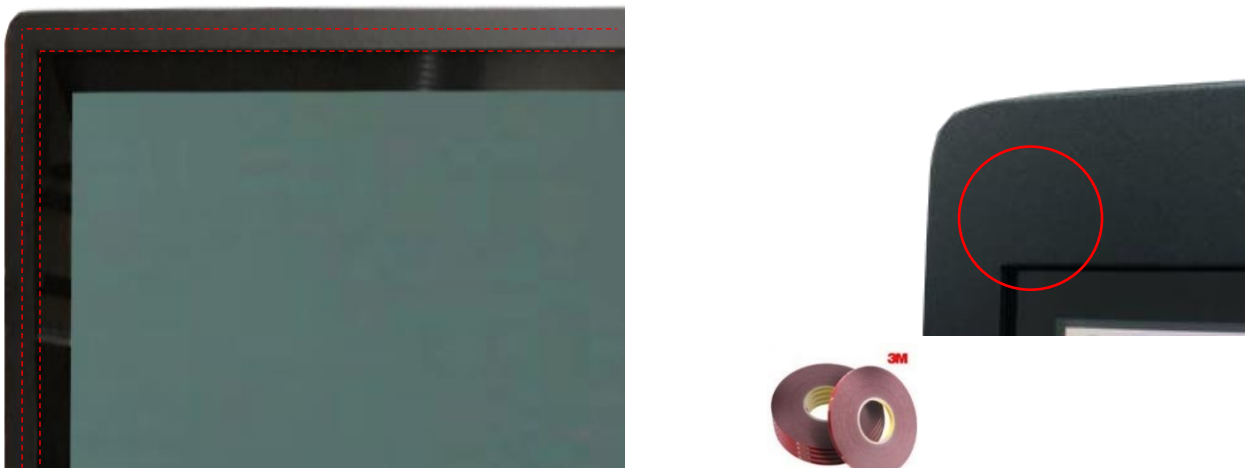
## Front Cover (Option)



The standard **NTAP240** is true flat surface, with only 1mm metal bezel.  
To protect the corners of the touch screen, the **Front Cover** can be added



The watertight gasket can be added between the **Front Cover** and **NTAP240**.  
It complies **IP65** on front.

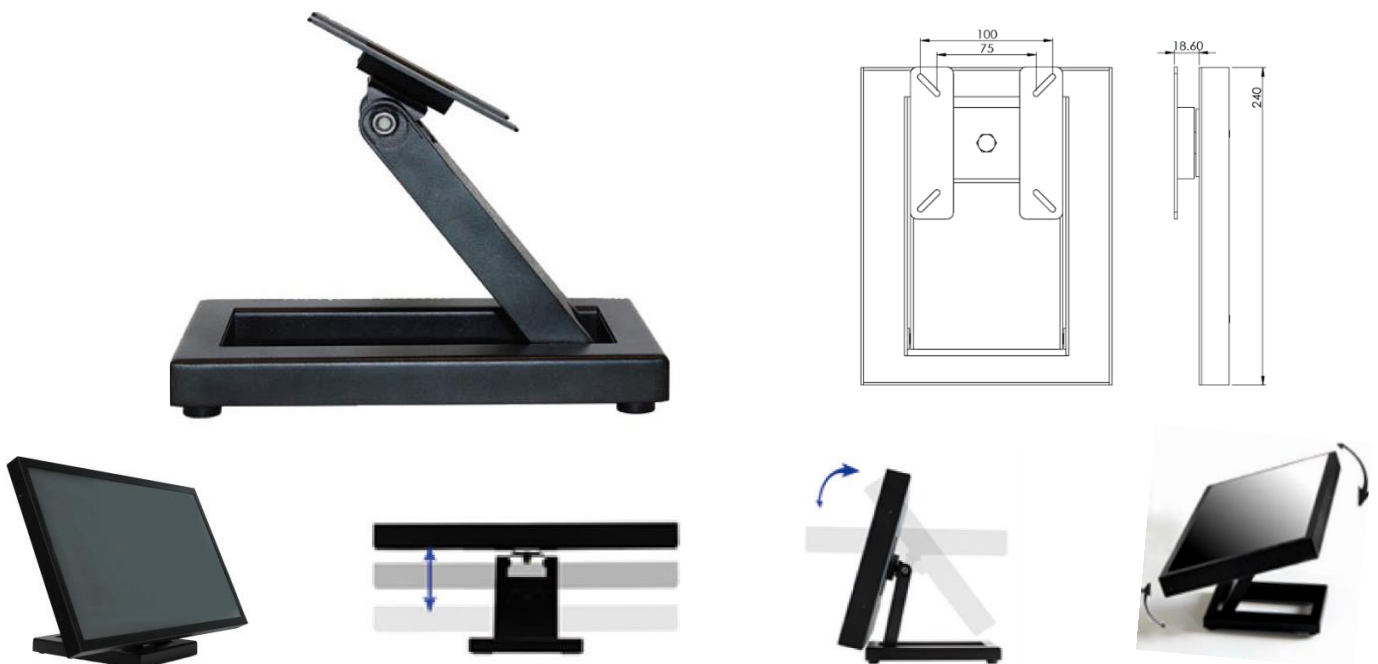


### Desktop Stand (Option)

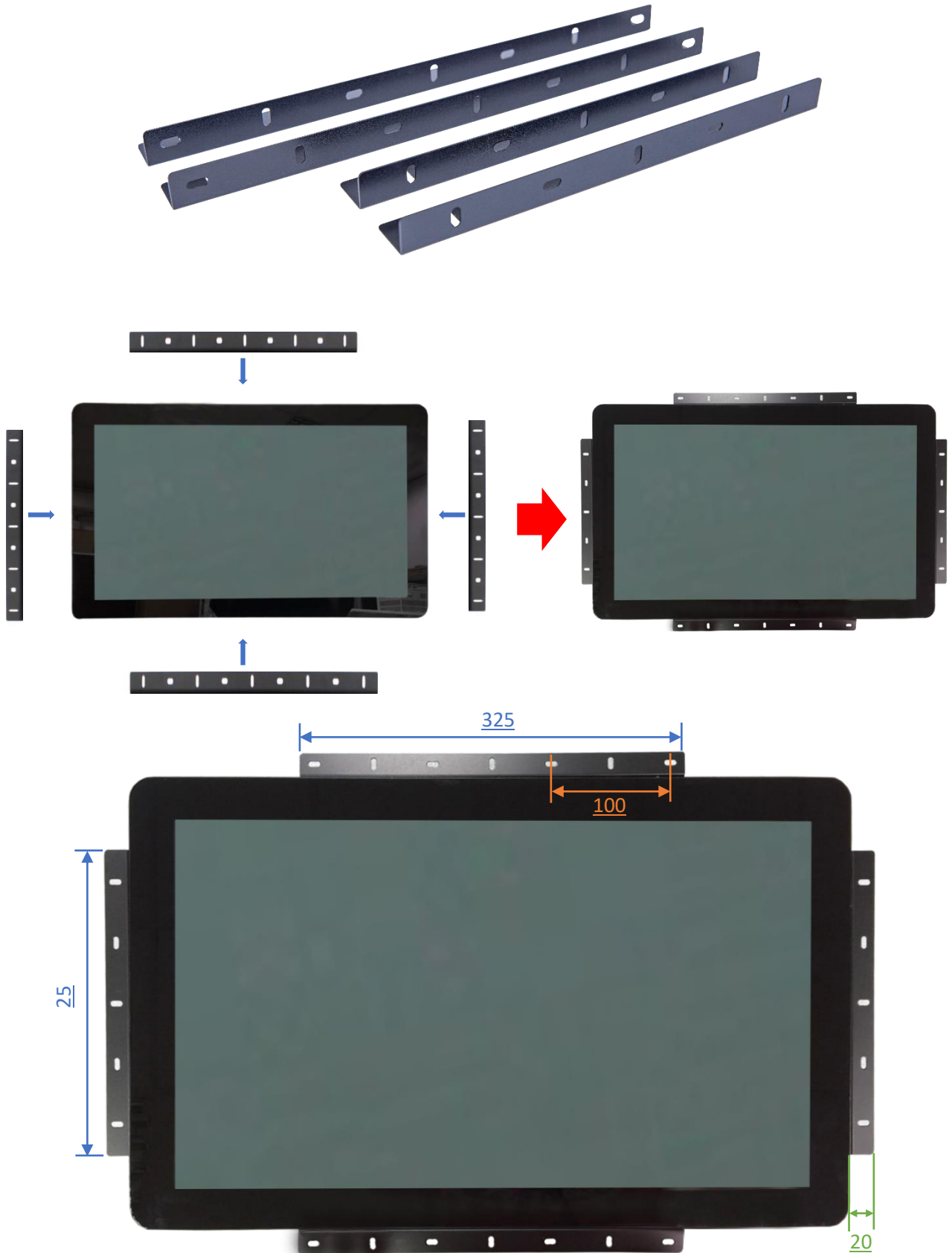
Item	B Stand	Part No.	DST-0B002/DST-1B002
Mounting Pattern	100x100 / 75x75 mm	Dimension (WxHxD)	203x275x227 mm
Material	Steel/Plastic/Aluminum	Net Weight	1.8 KG
Tilt (Hinge)	-2° ~ +180°	Support Max. Weight	15 KG



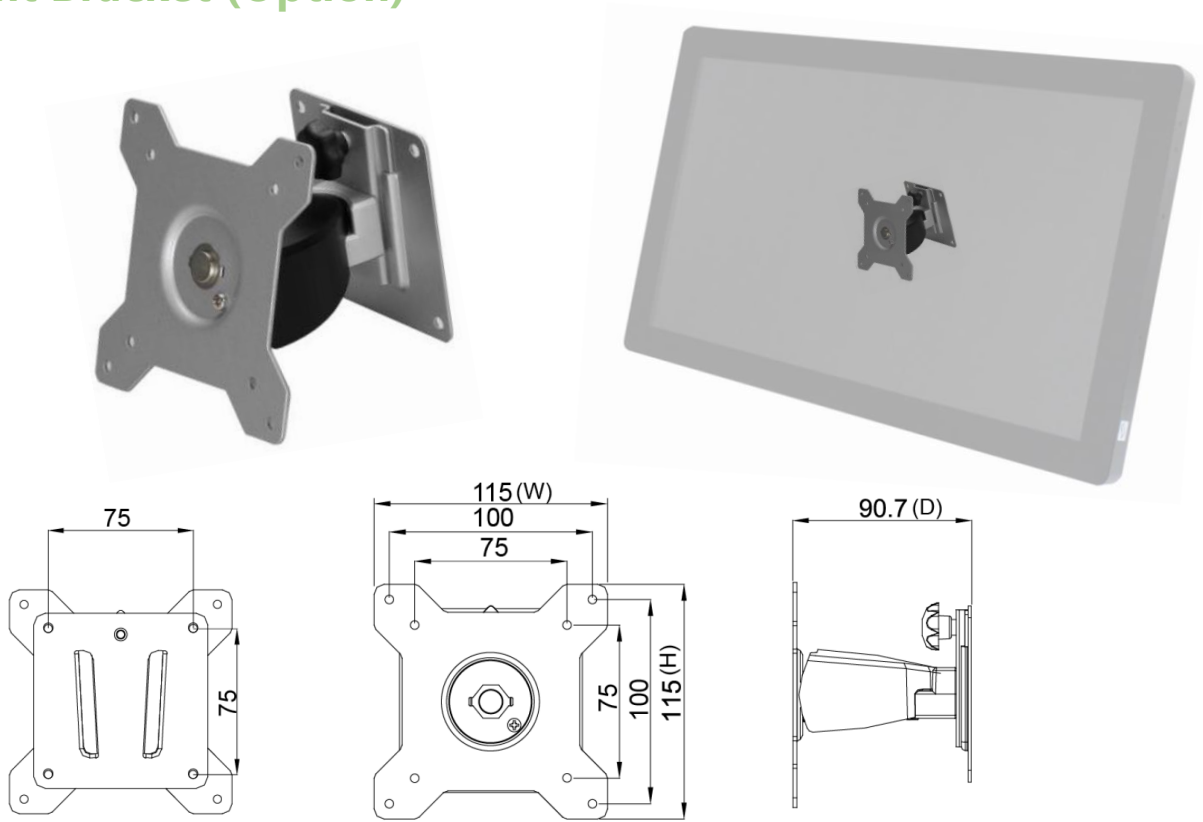
Item	Z Stand	Part No.	DST-0BZ01/DST-1BZ01
Mounting Pattern	100x100 / 75x75 mm	Dimension (WxHxD)	190x240x41.6
Material	SECC	Net Weight	2.6 KG
Tilt (Hinge)	±360°	Support Max. Weight	15 KG



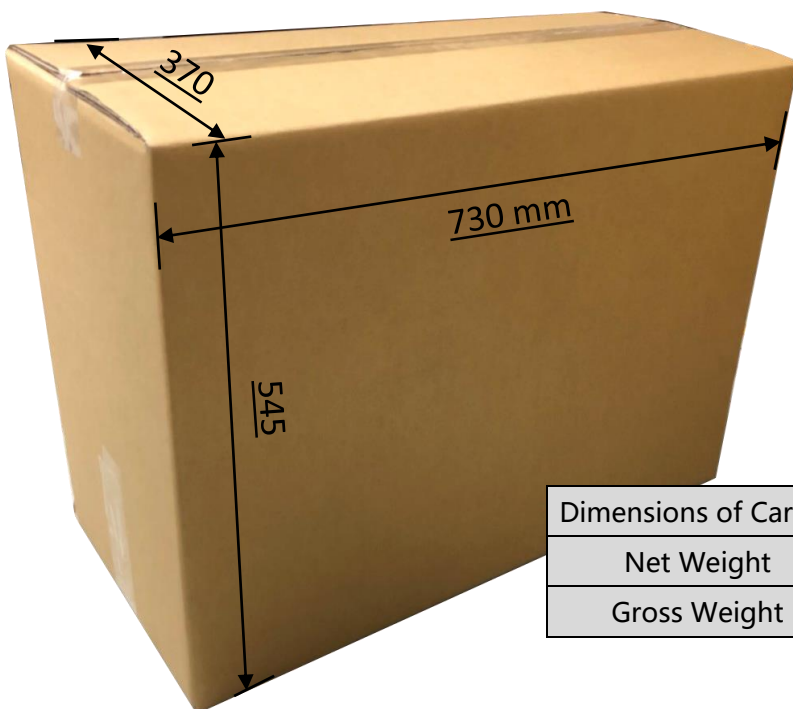
## Open-frame Brackets (Option)



## Wall Mount Bracket (Option)



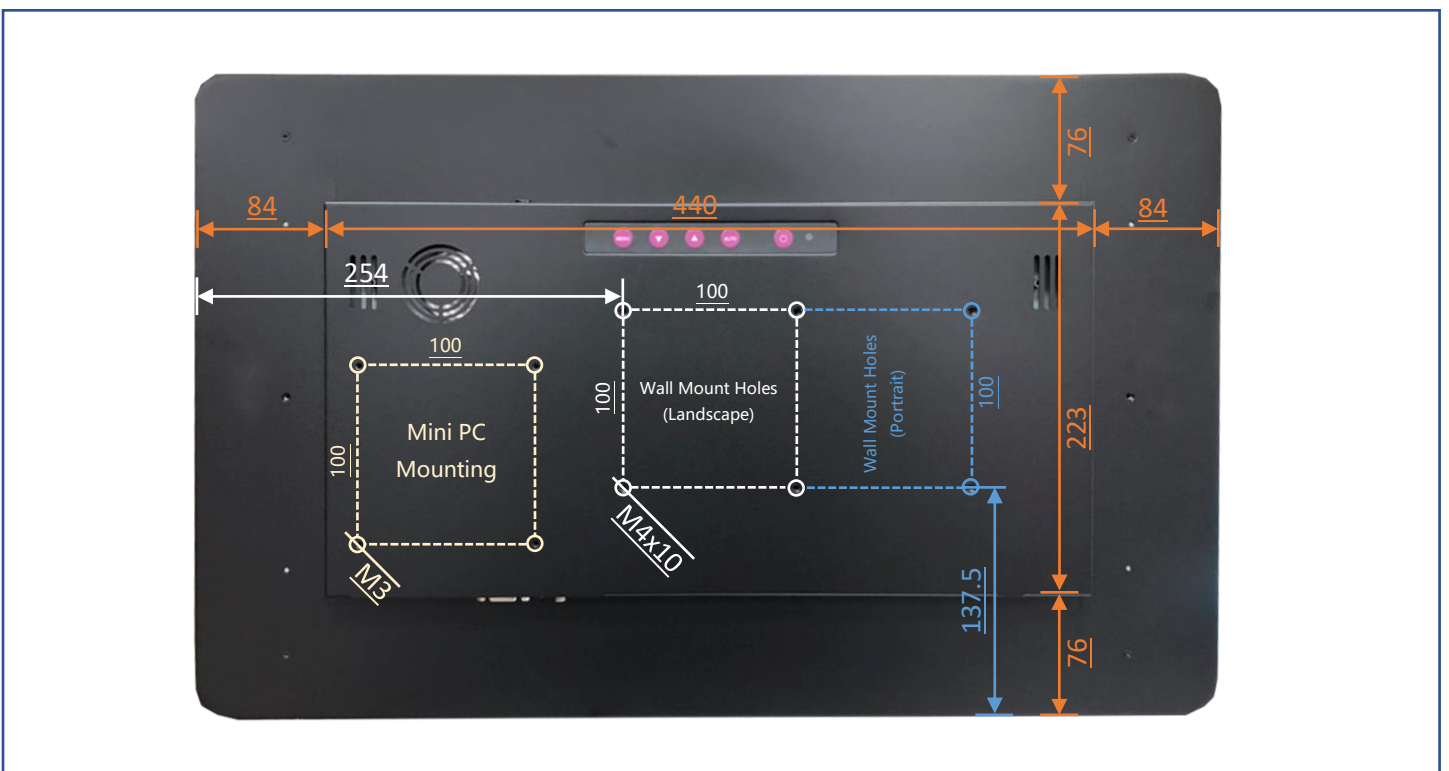
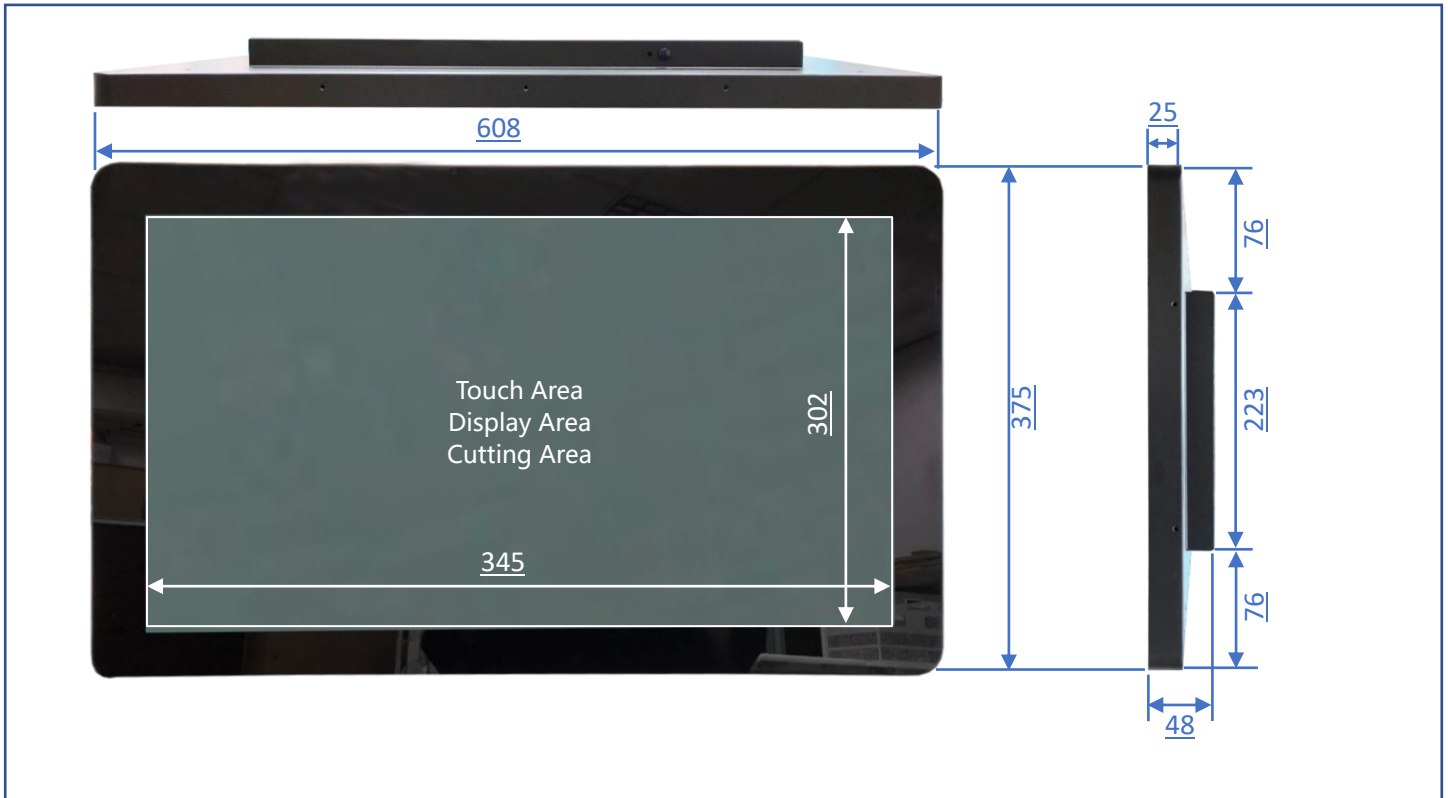
## Packing Information



Dimensions of Carton	<b>730x545x370 mm</b>
Net Weight	<b>7.5 KG</b>
Gross Weight	<b>10.5 KG</b>

## Physical Specifications

Dimension (Max)	<b>608x375x48(±1)mm</b>	Net Weight	≤ <b>7.5 KG</b>
VESA Mounting	<b>100x100 mm</b>	Gross Weight	≤ <b>10.5 KG</b>



## Cosmetic Inspection Standard

Display Area Allowance			
Defect description	Defective Specifications	Allowance	Remarks
Dot Defect (including dark dot, particles, bubbles, pits, dust, foreign matter)	$D \leq 0.2\text{mm}$	Ignored	D=Diameter
	$0.2 < D \leq 0.7\text{mm}$	$N \leq 5$	N=Quantity
	$0.7 < D \leq 1\text{mm}$	$N \leq 3$	
	$D > 1\text{mm}$	$N \leq 0$	
Linear Defect (including scratches, fluff, particles)	$W \leq 0.15\text{mm}$	Ignored	W=Width
	$0.15 < W \leq 0.5\text{mm}, L \leq 15\text{mm}$	$N \leq 2$	L=Length
	$W > 0.5\text{mm}$ or $L > 15\text{mm}$	NG	

\* Visual inspection distance: 60cm, 90 degree (same for front/side/back)

Front Appearance Allowance (Including Coating)			
Defect description	Defective Specifications	Allowance	Remarks
Dot Defect (including particles, bubbles, pits...etc.)	$D \leq 0.7\text{mm}$	Ignored	D=Diameter
	$0.7 < D \leq 1.5\text{mm}$	$N \leq 3$	N=Quantity
	$D > 1.5\text{mm}$	$N \leq 0$	
Linear Defect (including scratches, fluff, particles)	$W \leq 0.2\text{mm}, L \leq 15\text{mm}$	Ignored	W=Width, L=Length
	$0.2 < W \leq 0.7\text{mm}, L \leq 15\text{mm}$	$N \leq 1$	
	$W > 0.7\text{mm}$ or $L > 15\text{mm}$	NG	

Side / Back Appearance Allowance (Including Coating)			
Defect description	Defective Specifications	Allowance	Remarks
Dot Defect (including particles, bubbles, pits...etc.)	$D \leq 1.5\text{mm}$	Ignored	D=Diameter
	$1.5 < D \leq 3\text{mm}$	$N \leq 8$	N=Quantity
	$D > 3\text{mm}$	$N \leq 2$	
Linear Defect (including scratches, fluff, particles)	$W \leq 0.8\text{mm}, L \leq 15\text{mm}$	Ignored	W=Width, L=Length
	$0.8 < W \leq 1.5\text{mm}, L \leq 15\text{mm}$	$N \leq 5$	
	$W > 1.5\text{mm}$ or $L > 15\text{mm}$	NG	



Display Area  
(Red Area)



Front Appearance (Red Area)



Back Appearance