

Product Specifications

Customer	
Model	NTAP240-B V011
Model No.	NTAP240<u>XX</u>-4<u>XG</u><u>XX</u>B2-011*

* X = A~Z, 0~9 (Depends on Options.)



Records of Revision			
Vision	Modifying	Old Description	New Description
v2109.1	Preliminary specification		



Features

- ★ 24" Industrial Panel, 16:9/1920x1080 (FHD) Resolution
- ★ VA Wide Viewing Angle Technology (178°/178°)
- ★ Operating Temperature Range -20~70°C
- ★ Rock Chip ARM Cortex A72+A53 RK3299 Quad-Core CPU
- ★ On Board DDR3 4G Memory
- ★ On Board 16G Flash ROM (Max. upgraded to 32G)
- ★ Micro SD Card Slot x1 (Max. to 64G)
- ★ Android 10.0
- ★ True Flat Projected Capacitive Touch Screen
- ★ 7H Hardness Tempered Cover Glass
- ★ 10 points Multi-touch , Supports Active Stylus
- ★ Metal Cabinet with Diverse Combine Options
- ★ Made in Taiwan, 3 Years Warranty
- ★ Optional High Brightness 1500nits, for Outdoor Environment
- ★ Optional Antibacterial/Anti-Glare/AR/AF/AS Surface Treatment



Desktop Stand



Side Brackets



Wall Mounting



PSE



BSMI



FCC



CE



RoHS



ISO9001



System Specifications

CPU	Dual Core ARM Cortex-A72 +Cortex-A53 up to 2.0GHz
Memory	DDR3 4G
Storage	16G Flash ROM (Max. to 32G)
GPU Chip	Mali-T864 GPU
Sound Chip	Realtek ALC662 Audio CODEC
Physical Network	1x GbE Lan port (RJ45)
Wireless Network	IEEE 802.11b/g/n 2.4G WIFI and Blue Tooth v2.1+EDR/V3.0/V3.0+HS/V4.0
OS	Android 10.0

Display Specifications

Screen Diagonal	609.7mm (24.0 inch)	Display Mode	VA Mode, Normally Black
Display Area	531.36x298.89 mm	Backlight Unit	LED (white LED)
Resolution	1920x1080 (FHD)	Viewing Angle (L/R, U/D)	178°/178° (CR=10)
Contrast Ratio	5000:1	Backlight Lifetime	>50,000 Hours
Display Ratio	16:9	Operating Temp.	-20~70°C
Support Colors	16.7M Colors	Storage Temp.	-30~80°C
Pixel Pitch	276.75x276.75 um	Surface Treatment	Anti-glare, Hardness 3H
Response Time	25 msec.		

Display Options

Brightness			
	Brightness	Environment	Model Name
Standard	300nits	General	NTAP240NX-4XGXXB2-011
Option 1	1000nits	Outdoor Environment	NTAP240AX-4XGXXB2-011
Option 2	1500nits	Sunlight Readable	NTAP240FX-4XGXXB2-011

Touch Options

Projected Capacitive			
Model Name	NTAP240XP-4XGXXB2-011		
Touch Technology	Projected Capacitive	Thickness of Cover Lens	2.9±0.2mm
Allowed Touch Points	10 points	Hardness of Cover Lens	7H
Transparency	≥87%	IK Ratings	IK07
Accuracy	99.00%		



Non-Touch	
Model Name	NTAP240X0-4XGXXB2-011



System Options

Color of Cabinet		
	Description	Model Name
Standard	Black	NTAP240XX-4BEXXB2-011
Option 1	Silver	NTAP240XX-4SGXXB2-011
Option 2	White	NTAP240XX-4WGXXB2-011
Options	Other Color	NTAP240XX-4XGXXB2-011

* X = A~Z, 0~9 (Depends on Color)

Material of Cabinet		
	Description	Model Name
Standard	SECC	NTAP240XX-4XGSXB2-011
Option 1	Stainless Steel	NTAP240XX-4XGLXB2-011
Option 2	Aluminum	NTAP240XX-4XGAXB2-011

Cooling Fan		
	Description	Model Name
Standard	7 Blades/4000r.p.m/Max.10.96CFM	NTAP240XX-4XGXFB2-011
Option	Fanless	NTAP240XX-4XGX0B2-011

Other Options

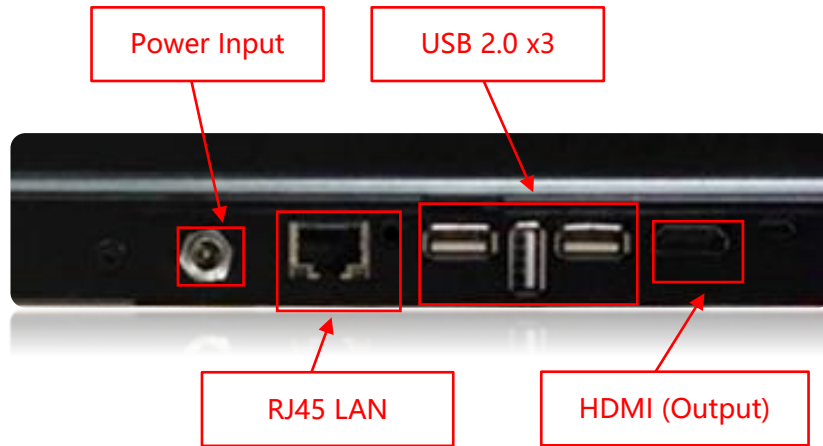
Active Stylus (Option)	
Technology	Active Capacitive Coupled
Working Frequencies	90~250 KHZ
Pressure Level	256~1024 Levels
Side Buttons	2 Side Buttons (Eraser, Barrel)
Active Tip Force	5~25g
Max. Tip Force	400g



Surface Treatment Options	
Standard	(none)
Option	Anti-Glare Coating
Option	Antibacterial (AB Film)
Option	Anti-Glare +UV-Cut (AG+UV Film)
Option	Anti-Glare +Fouling/Fingerprint (AG+AFP Film)
Option	Anti-Reflective +Fouling/Fingerprint (AR+AFP Film)
Option	Anti-Glare +Reflective +Fouling/Fingerprint (AG+AR+AFP Film)
Option	Anti-Spy (AS Film)

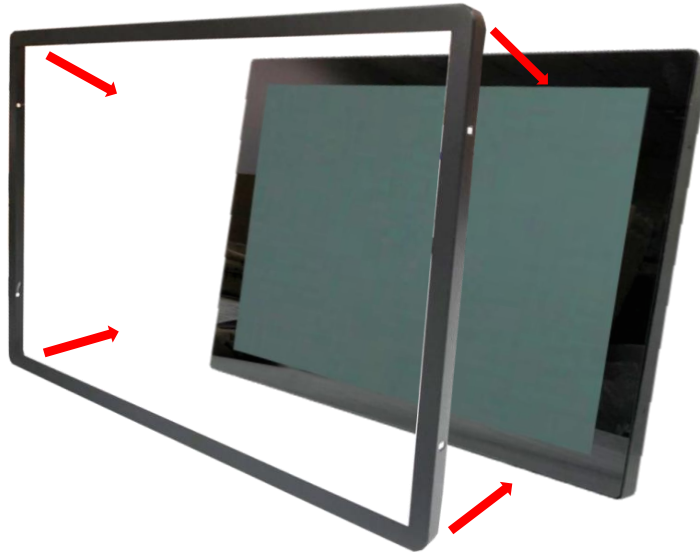


Input /Output System



Input / Output	Connectors	Input / Output	Connectors
HDMI (Output)	1	DC Power Input	2
USB 2.0	3	Speakers	2W x2
LAN (RJ45)	1		

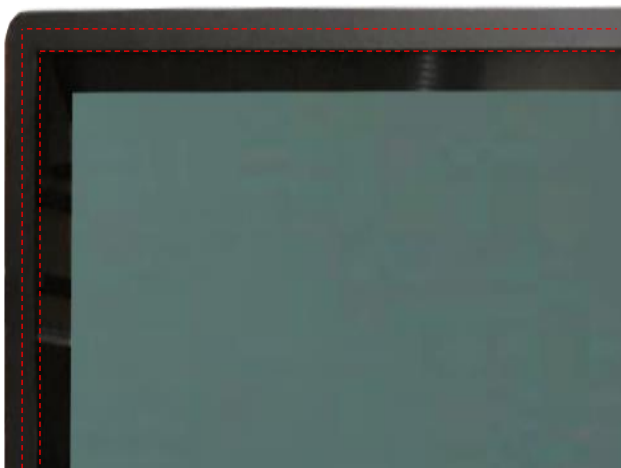
Front Cover (Option)



The standard **NTAP240** is true flat surface, with only 1mm metal bezel.
To protect the corners of the touch screen, the **Front Cover** can be added



The watertight gasket can be added between the **Front Cover** and **NTAP240**.
It complies **IP65** on front.

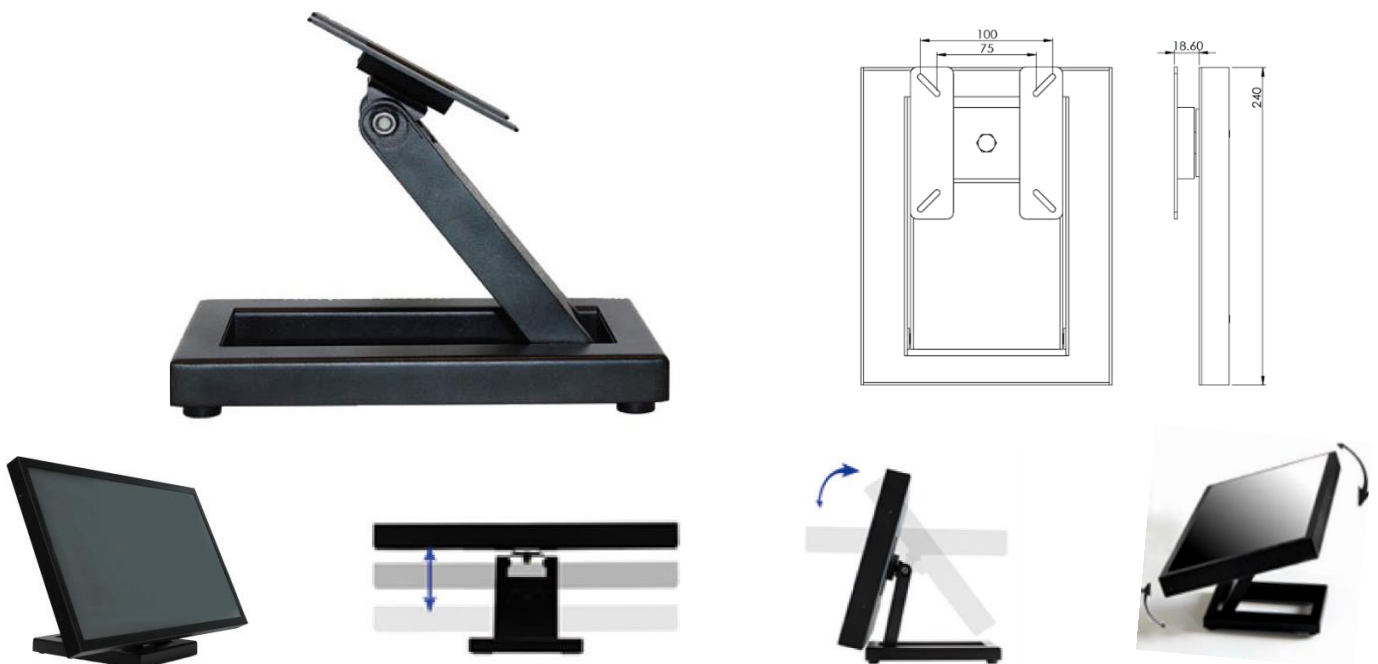


Desktop Stand (Option)

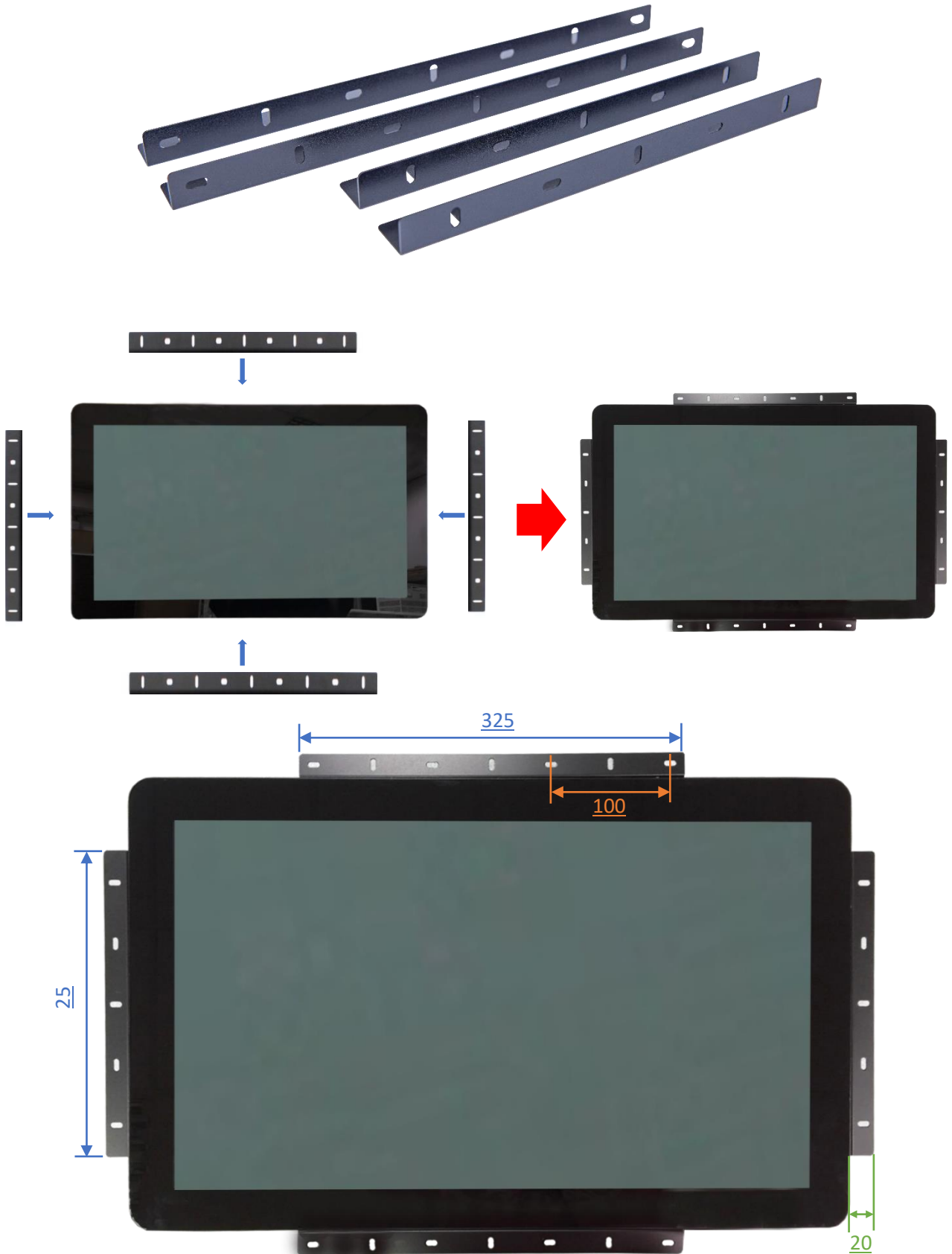
Item	B Stand	Part No.	DST-0B002/DST-1B002
Mounting Pattern	100x100 / 75x75 mm	Dimension (WxHxD)	203x275x227 mm
Material	Steel/Plastic/Aluminum	Net Weight	1.8 KG
Tilt (Hinge)	-2° ~ +180°	Support Max. Weight	15 KG



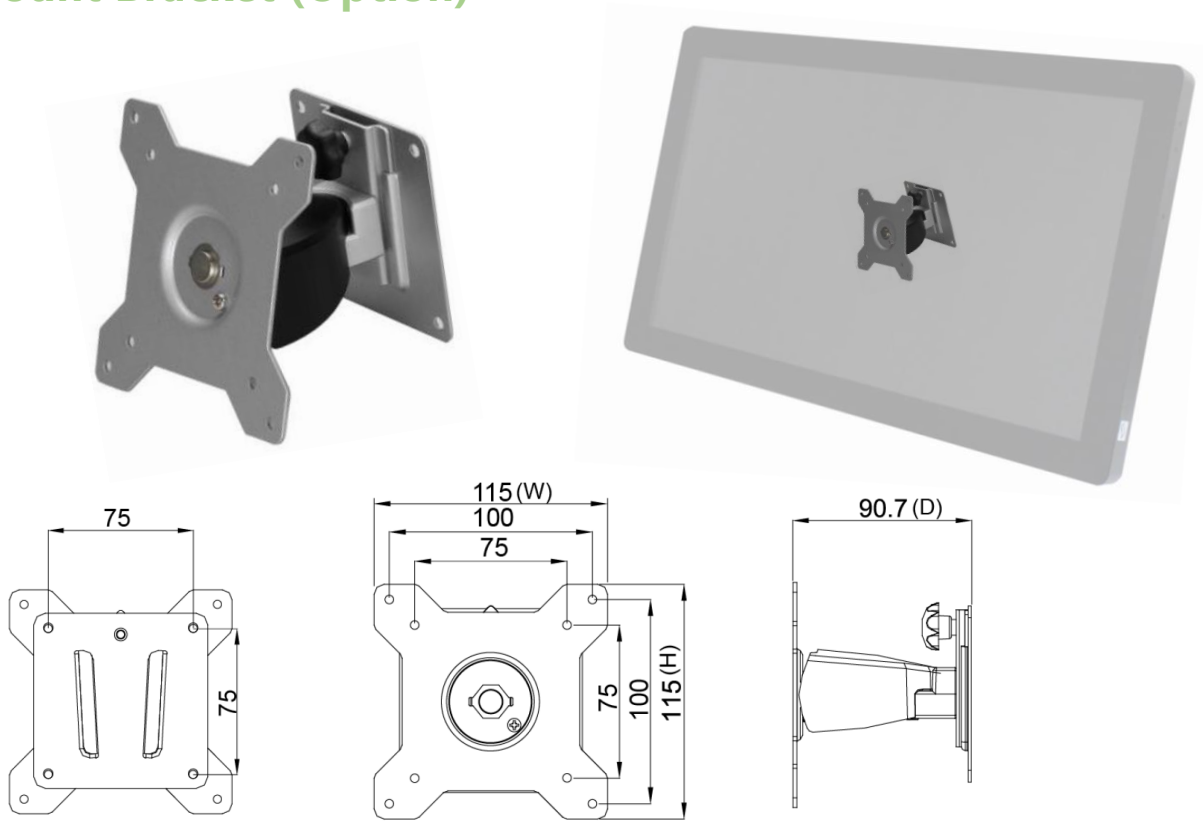
Item	Z Stand	Part No.	DST-0BZ01/DST-1BZ01
Mounting Pattern	100x100 / 75x75 mm	Dimension (WxHxD)	190x240x41.6
Material	SECC	Net Weight	2.6 KG
Tilt (Hinge)	±360°	Support Max. Weight	15 KG



Open-frame Brackets (Option)



Wall Mount Bracket (Option)



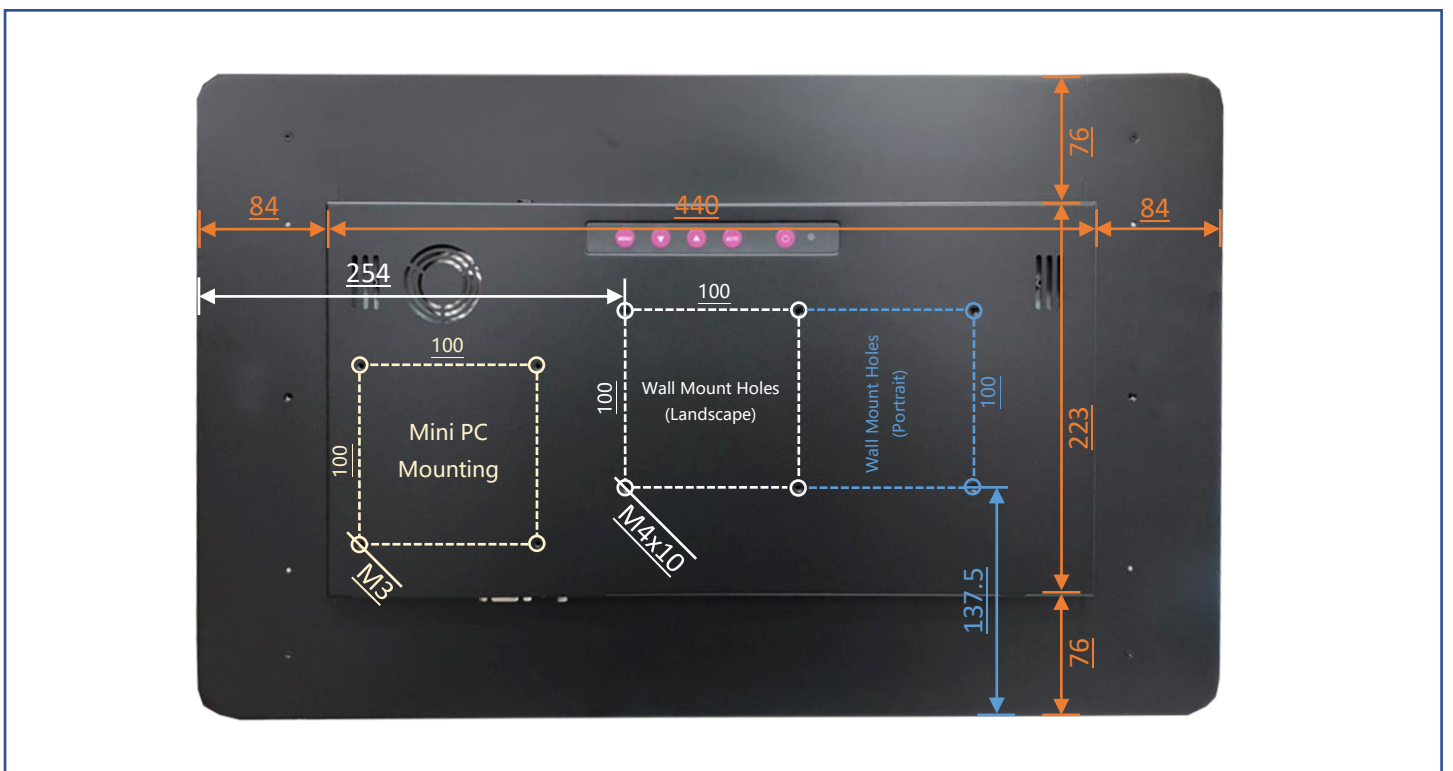
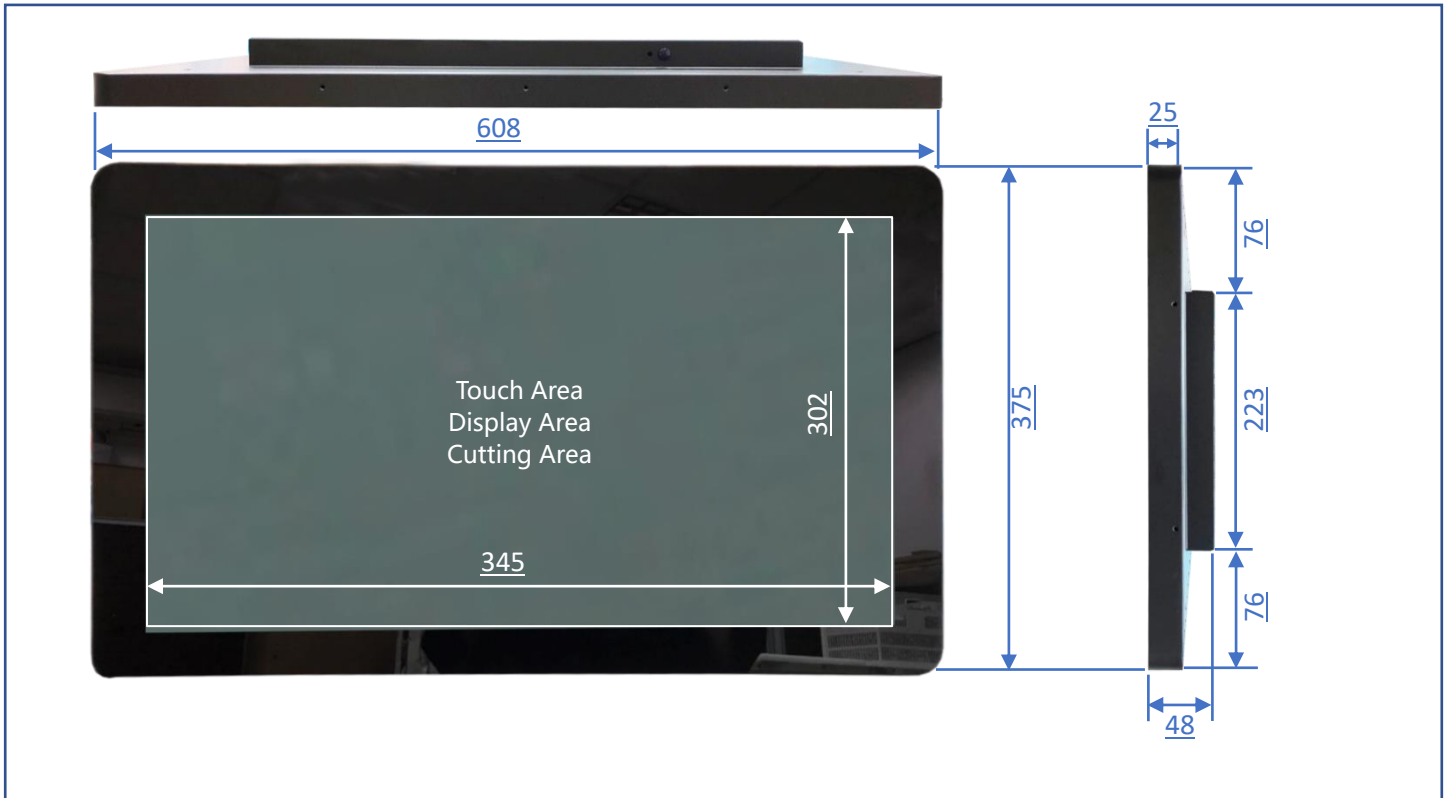
Packing Information



Dimensions of Carton	772x200x523 mm
Net Weight	≤ 7.5 KG
Gross Weight	≤ 10.5 KG

Physical Specifications

Dimension (Max)	608x375x48(±1)mm	Net Weight	≤ 7.5 KG
VESA Mounting	100x100 mm	Gross Weight	≤ 10.5 KG



Cosmetic Inspection Standard

Display Area Allowance			
Defect description	Defective Specifications	Allowance	Remarks
Dot Defect (including dark dot, particles, bubbles, pits, dust, foreign matter)	$D \leq 0.2\text{mm}$	Ignored	D=Diameter
	$0.2 < D \leq 0.7\text{mm}$	$N \leq 5$	N=Quantity
	$0.7 < D \leq 1\text{mm}$	$N \leq 3$	
	$D > 1\text{mm}$	$N \leq 0$	
Linear Defect (including scratches, fluff, particles)	$W \leq 0.15\text{mm}$	Ignored	W=Width
	$0.15 < W \leq 0.5\text{mm}, L \leq 15\text{mm}$	$N \leq 2$	L=Length
	$W > 0.5\text{mm}$ or $L > 15\text{mm}$	NG	

* Visual inspection distance: 60cm, 90 degree (same for front/side/back)

Front Appearance Allowance (Including Coating)			
Defect description	Defective Specifications	Allowance	Remarks
Dot Defect (including particles, bubbles, pits...etc.)	$D \leq 0.7\text{mm}$	Ignored	D=Diameter
	$0.7 < D \leq 1.5\text{mm}$	$N \leq 3$	N=Quantity
	$D > 1.5\text{mm}$	$N \leq 0$	
Linear Defect (including scratches, fluff, particles)	$W \leq 0.2\text{mm}, L \leq 15\text{mm}$	Ignored	W=Width, L=Length
	$0.2 < W \leq 0.7\text{mm}, L \leq 15\text{mm}$	$N \leq 1$	
	$W > 0.7\text{mm}$ or $L > 15\text{mm}$	NG	

Side / Back Appearance Allowance (Including Coating)			
Defect description	Defective Specifications	Allowance	Remarks
Dot Defect (including particles, bubbles, pits...etc.)	$D \leq 1.5\text{mm}$	Ignored	D=Diameter
	$1.5 < D \leq 3\text{mm}$	$N \leq 8$	N=Quantity
	$D > 3\text{mm}$	$N \leq 2$	
Linear Defect (including scratches, fluff, particles)	$W \leq 0.8\text{mm}, L \leq 15\text{mm}$	Ignored	W=Width, L=Length
	$0.8 < W \leq 1.5\text{mm}, L \leq 15\text{mm}$	$N \leq 5$	
	$W > 1.5\text{mm}$ or $L > 15\text{mm}$	NG	



Display Area
(Red Area)



Front Appearance (Red Area)



Back Appearance