

# Product Specifications

<b>Customer</b>	
<b>Model Name</b>	<b>NTWP070 V500E</b>
<b>Model Number</b>	NTWP070 <u>XXSXX</u> -GP <u>XX8XX</u> - <u>XX</u> 04-500E

\* X = A~Z, 0~9 (Depends on Options.)



Records of Revision			
Vision	Modifying	Old Description	New Description
v2111.1	Preliminary Specification		



## Features

- ★ 7 inch Industrial Grade Panel, 800x480 Resolution
- ★ Wide Operating Temperature Range -30~85°C
- ★ Intel® Quad-Core N3450/N4200 CPU
- ★ DDR3 8G DRAM
- ★ SSD 128/256/512G
- ★ Projected Capacitive Touch Screen
- ★ 7H Hardness Tempered Cover Glass
- ★ 10 points Multi-touch , Supports Active Stylus
- ★ Metal Cabinet with Diverse Combine Options
- ★ Made in Taiwan, 3 Years Warranty, Designed for Harsh Environments
- ★ Optional High Brightness 1500nits, for Outdoor Environment
- ★ Optional AG Coating/Antibacterial/Privacy Filter Surface Treatment



PSE



BSMI



RoHS



CE



ISO9001



FCC



Open-frame Brackets



Panel Mount



## System Specifications

CPU	Intel® Quad-Core Pentium®
Memory	DDR3 SO-DIMM 8G
Storage	SATAx2, mSATA/mPCIe2 x1
GPU	Realtek ALC255 Audio CODEC
Network	Realtek Gbe LAN Chips x1
Hardware Monitoring	Voltage / Temperature / Fan Speed Detection, Control
OS	Windows 10 64-bit

## Display Specifications

Screen Diagonal	117.8 mm (7.0 inch)	Display Mode	TN Mode, Normally White
Display Area	152.4x91.44 mm	Backlight Unit	LED (white LED)
Resolution	800x480	Viewing Angle (L/R, U/D)	160°/160° (CR=10)
Contrast Ratio	1000:1	Backlight Lifetime	>50,000 Hours
Support Colors	16.2M Colors	Operating Temp.	-30~85°C
Pixel Pitch	0.1905x0.1905 mm	Storage Temp.	-30~85°C
Response Time	8 msec.	Surface Treatment	Anti-glare, Hardness 3H

## Display Options

Brightness			
	Brightness	Environment	Model Name
Standard	400nits	General (Indoor)	NTWP070NXSXX-GPXX8XX-XX04-500E
Option 1	1000nits	Outdoor Environment	NTWP070AXSXX-GPXX8XX-XX04-500E
Option 2	1500nits	Sunlight Readable	NTWP070FXSXX-GPXX8XX-XX04-500E

## Touch Options

Projected Capacitive			
Model Name	NTWP070 <u>X</u> <u>P</u> <u>S</u> <u>X</u> X-GPXX8XX-XX04-500E		
Touch Technology	Projected Capacitive	Thickness of Cover Lens	2.0±0.2mm
Allowed Touch Points	10 points	Hardness of Cover Lens	7H
Transparency	≥87%	IK Ratings	IK07
Accuracy	99.00%		

Non-Touch	
Model Name	NTWP070 <u>X</u> <u>O</u> <u>S</u> <u>X</u> X-GPXX8XX-XX04-500E

Surface Treatment Options		
	Description	Model Name
<b>Standard</b>	<b>(none)</b>	<b>NTWP070XXS<u>00</u>-GPXX8XX-XX04-500E</b>
Option 1	Anti-Glare Coating	NTWP070XXS <u>GG</u> -GPXX8XX-XX04-500E
Option 2	Antibacterial (AB Film)	NTWP070XXS <u>AB</u> -GPXX8XX-XX04-500E
Option 3	Anti-Spy (AS Film)	NTWP070XXS <u>SF</u> -GPXX8XX-XX04-500E

Active Stylus Option	
Technology	Active Capacitive Coupled
Working Frequencies	90~250 KHZ
Pressure Level	256~1024 Levels
Side Buttons	2 Side Buttons (Eraser, Barrel)
Active Tip Force	5~25g
Max. Tip Force	400g



## System Options

CPU		
	Item	Model Name
<b>Standard</b>	<b>N3450</b>	<b>NTWP070XXSXX-GP<b>C</b>28XX-XX04-500E</b>
Option	N4200	NTWP070XXSXX-GP <b>C</b> 48XX-XX04-500E

Storage		
	Item	Model Name
<b>Standard</b>	<b>SSD 128G</b>	<b>NTWP070XXSXX-GPXX8<b>S</b>1-XX04-500E</b>
Option 1	SSD 256G	NTWP070XXSXX-GPXX8 <b>S</b> 2-XX04-500E
Option 2	SSD 512G	NTWP070XXSXX-GPXX8 <b>S</b> 3-XX04-500E

Material of Cabinet		
	Description	Model Name
<b>Standard</b>	<b>SECC</b>	<b>NTWP070XXSXX-GPXX8XX-<b>S</b>X04-500E</b>
Option 1	Stainless Steel	NTWP070XXSXX-GPXX8XX- <b>L</b> X04-500E
Option 2	Aluminum	NTWP070XXSXX-GPXX8XX- <b>A</b> X04-500E

Color of Cabinet		
	Description	Model Name
<b>Standard</b>	<b>Silver</b>	<b>NTWP070XXSXX-GPXX8XX-<b>X</b>S04-500E</b>
Option 1	White	NTWP070XXSXX-GPXX8XX- <b>X</b> W04-500E
Option 2	Black	NTWP070XXSXX-GPXX8XX- <b>X</b> B04-500E
Options	Other Color	NTWP070XXSXX-GPXX8XX- <b>X</b> X04-500E

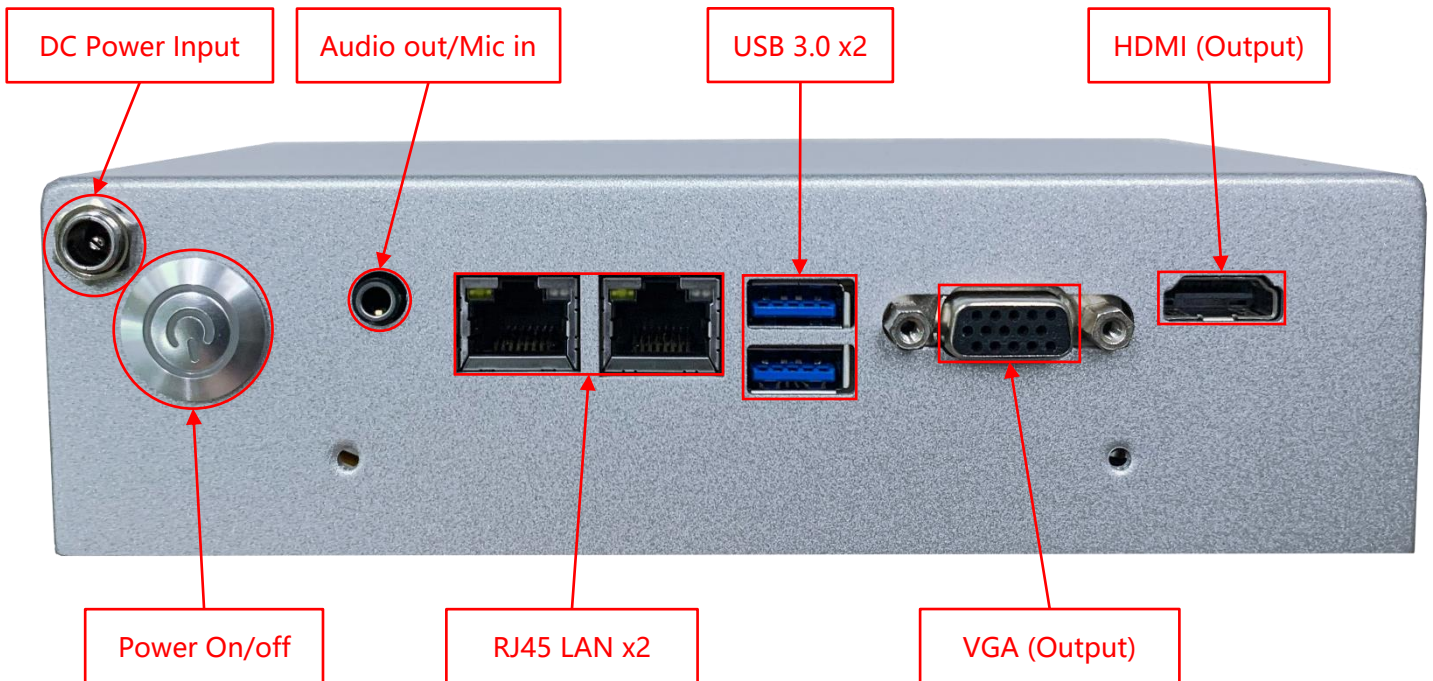
\* X = A~Z, 0~9 (Depends on Color)

## Packing Information

Dimensions of Carton	<b>367x313x106 mm</b>
Net Weight	<b>≤1.0 KG</b>
Gross Weight	<b>≤1.9 KG</b>



### Input /Output System

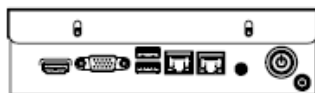
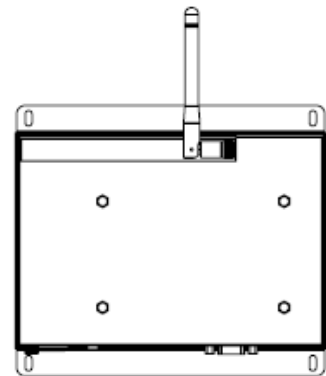
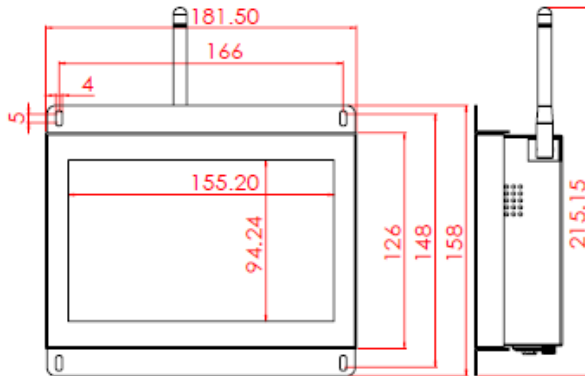
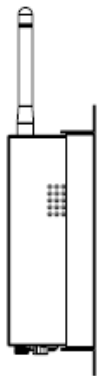
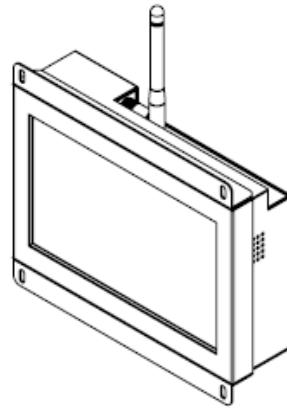
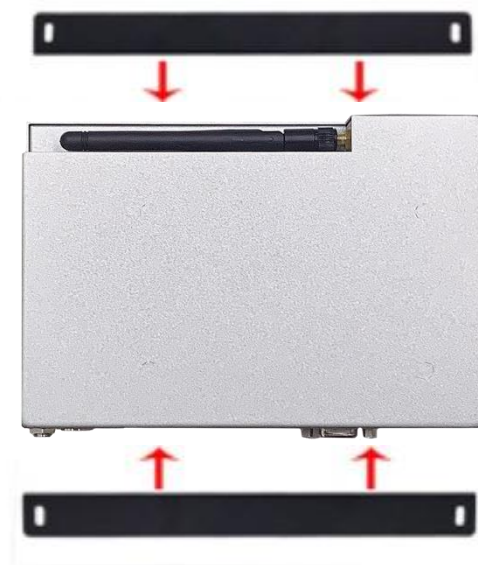


Input / Output	Connectors	Input / Output	Connectors
HDMI (Output)	1	USB 3.0	2
VGA (Output)	1	LAN (RJ45)	2
Audio Output /Mic Input (3.5mm)	1	Wi-Fi/Bluetooth & Antenna	<b>Option</b>
DC Power Input	1	Speakers	2W x2

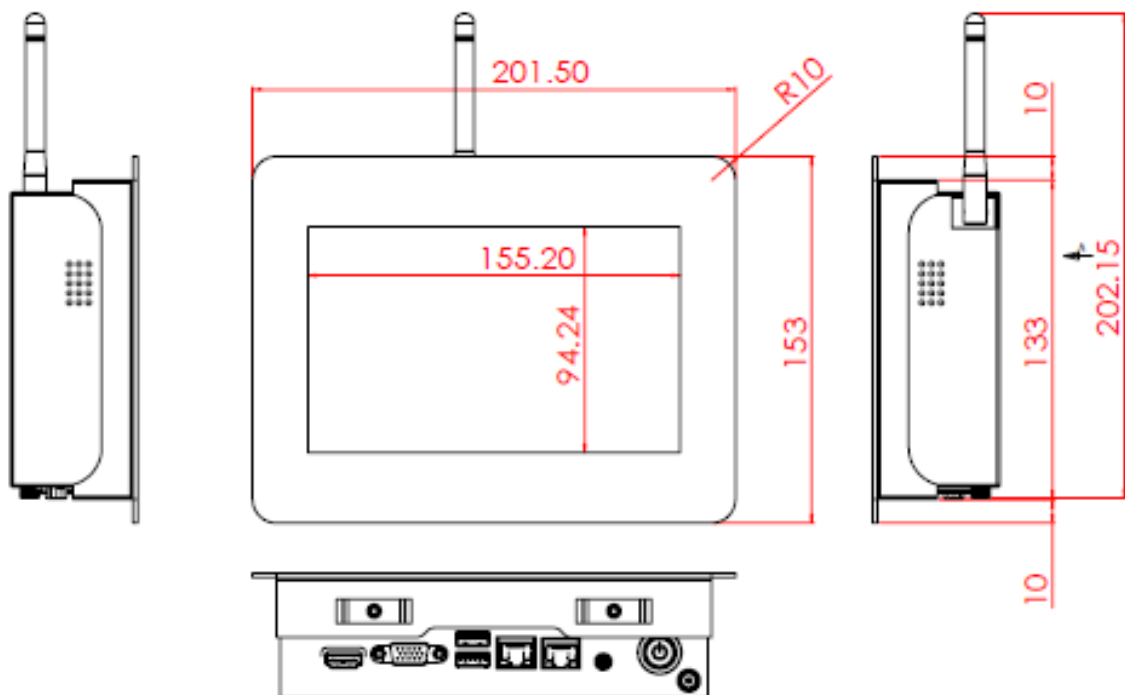
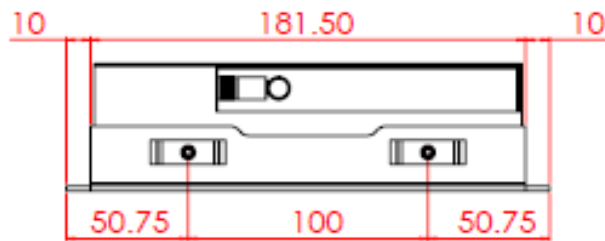
Wireless Network (Option)	
Spec	Wi-Fi a/b/g/n/ac, Dual Mode Bluetooth 2.1/2.1+EDR,3.0,3.0+HS,4.0 (BLE) (Wi-Fi+BT4.0)

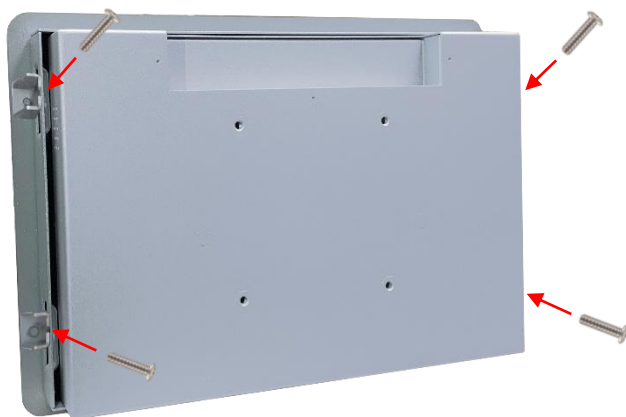
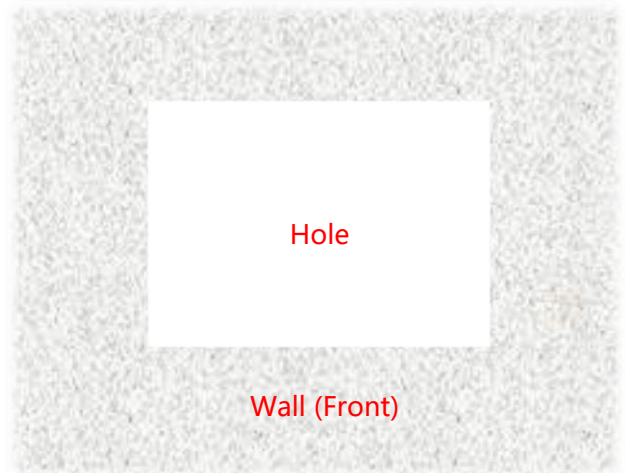
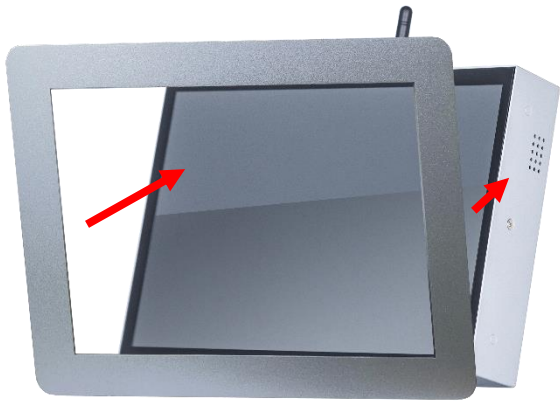


## Open-frame Brackets (Option)



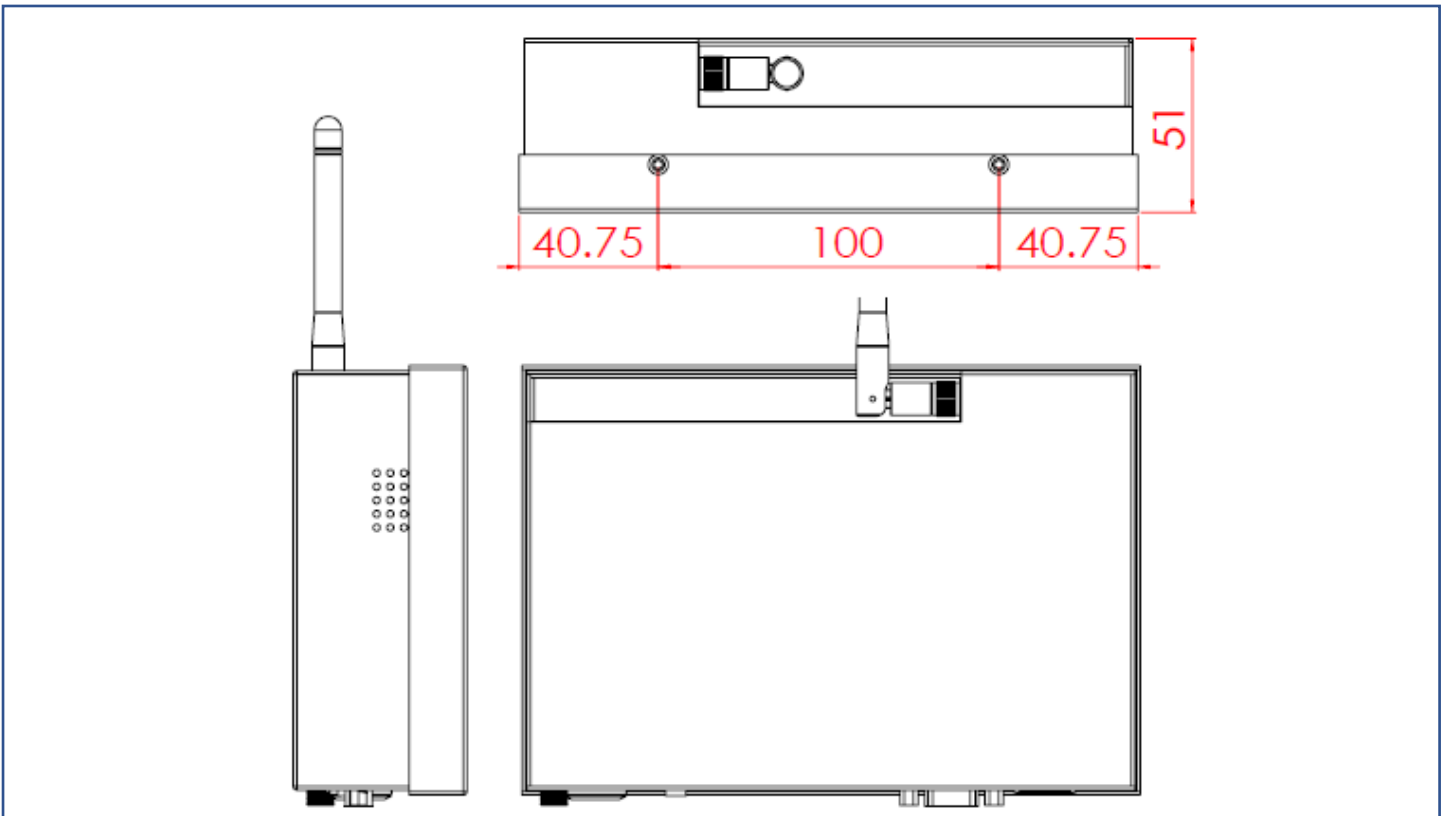
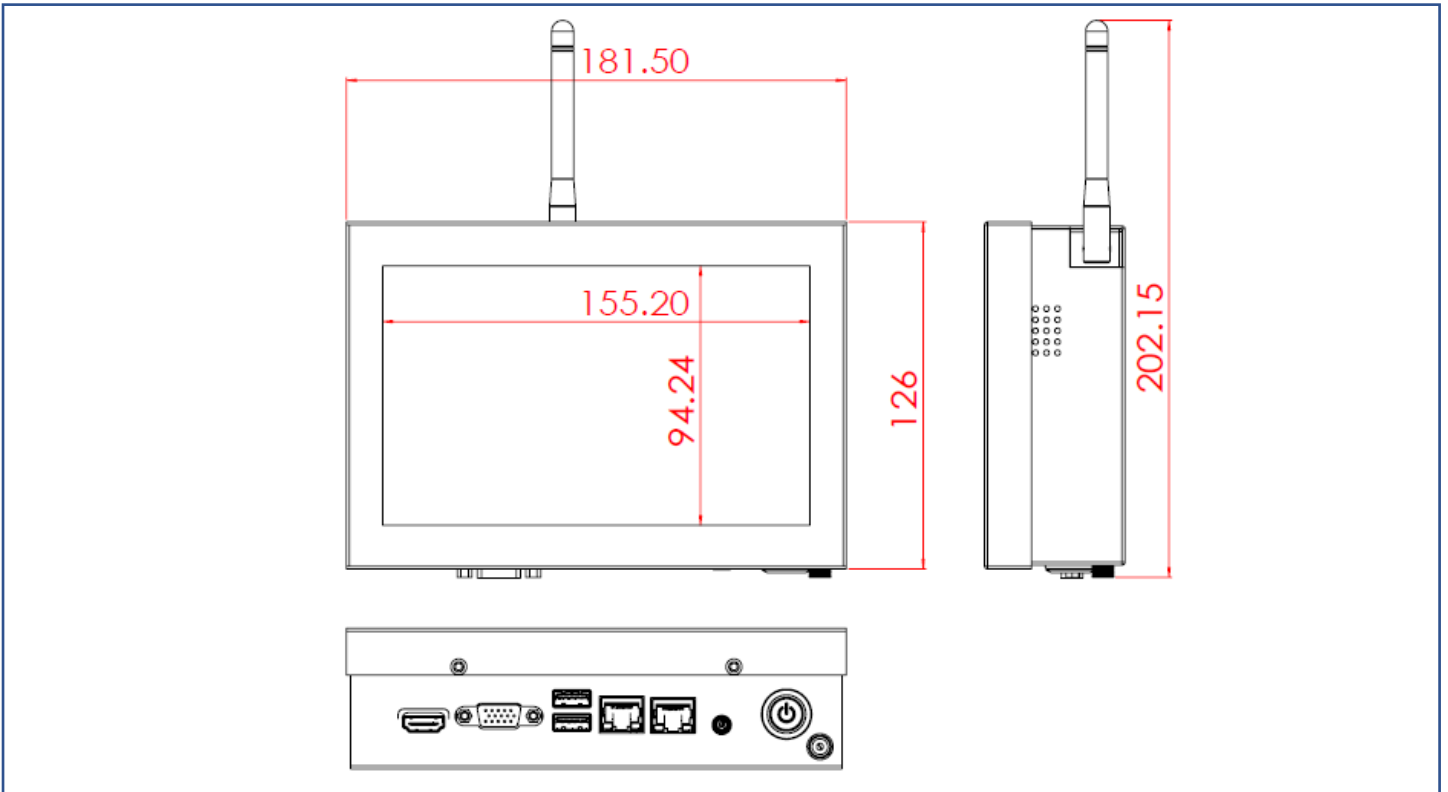
Panel Mount Kits (Option)





## Physical Specifications

Dimension	182x126x51(±2)mm (W/O Antenna)	Net Weight	≤1.0 KG
-----------	--------------------------------	------------	---------



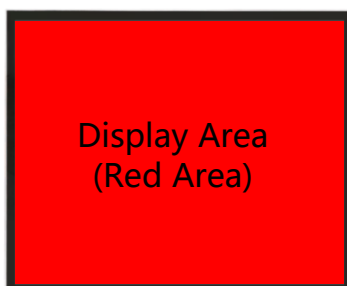
## Cosmetic Inspection Standard

Display Area Allowance			
Defect description	Defective Specifications	Allowance	Remarks
Dot Defect (including dark dot, particles, bubbles, pits, dust, foreign matter)	$D \leq 0.2\text{mm}$	Ignored	D=Diameter
	$0.2 < D \leq 0.7\text{mm}$	$N \leq 5$	N=Quantity
	$0.7 < D \leq 1\text{mm}$	$N \leq 3$	
	$D > 1\text{mm}$	$N \leq 0$	
Linear Defect (including scratches, fluff, particles)	$W \leq 0.15\text{mm}$	Ignored	W=Width
	$0.15 < W \leq 0.5\text{mm}, L \leq 15\text{mm}$	$N \leq 2$	L=Length
	$W > 0.5\text{mm}$ or $L > 15\text{mm}$	NG	

\* Visual inspection distance: 60cm, 90 degree (same for front/side/back)

Front Appearance Allowance (Including Coating)			
Defect description	Defective Specifications	Allowance	Remarks
Dot Defect (including particles, bubbles, pits...etc.)	$D \leq 0.7\text{mm}$	Ignored	D=Diameter
	$0.7 < D \leq 1.5\text{mm}$	$N \leq 3$	N=Quantity
	$D > 1.5\text{mm}$	$N \leq 0$	
Linear Defect (including scratches, fluff, particles)	$W \leq 0.2\text{mm}, L \leq 15\text{mm}$	Ignored	W=Width, L=Length
	$0.2 < W \leq 0.7\text{mm}, L \leq 15\text{mm}$	$N \leq 1$	
	$W > 0.7\text{mm}$ or $L > 15\text{mm}$	NG	

Side / Back Appearance Allowance (Including Coating)			
Defect description	Defective Specifications	Allowance	Remarks
Dot Defect (including particles, bubbles, pits...etc.)	$D \leq 1.5\text{mm}$	Ignored	D=Diameter
	$1.5 < D \leq 3\text{mm}$	$N \leq 8$	N=Quantity
	$D > 3\text{mm}$	$N \leq 2$	
Linear Defect (including scratches, fluff, particles)	$W \leq 0.8\text{mm}, L \leq 15\text{mm}$	Ignored	W=Width, L=Length
	$0.8 < W \leq 1.5\text{mm}, L \leq 15\text{mm}$	$N \leq 5$	
	$W > 1.5\text{mm}$ or $L > 15\text{mm}$	NG	



Display Area  
(Red Area)



Front Appearance (Red Area)



Back Appearance