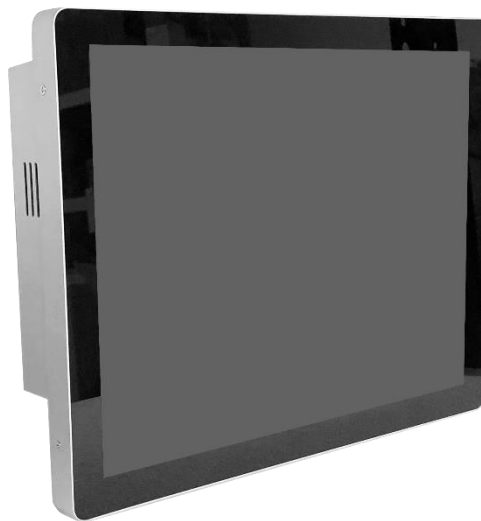




Product Specifications

Customer	
Model	NTWP150-1 V500E
Model No.	NTWP150 <u>XXSXX</u> -GP <u>XX8XX</u> - <u>XXX4</u> -500E

* X = A~Z, 0~9 (Depends on Options.)



Records of Revision			
Vision	Modifying	Old Description	New Description
v1912.1	Preliminary Specification		
v1912.2	Revise Model Number of Surface Treatment Options		
v1912.3	Revise Default of Color Options	Black	Sliver
v1912.4	Define the Cosmetic Inspection		



Features

- ★ 15" Industrial Panel, 1024x768 (XGA) Resolution
- ★ Wide Viewing Angle (176°/176°)
- ★ Operating Temperature Range -30~70°C
- ★ Intel® Quad-Core N3450/N4200 CPU
- ★ DDR3 8G DRAM , SSD 128/256/512G
- ★ Projected Capacitive Touch Screen with 7H Hardness Tempered Cover Glass
- ★ 10 points Multi-touch , Supports Active Stylus
- ★ Metal Cabinet with Diverse Combine Options
- ★ Made in Taiwan, 3 Years Warranty, Designed for Harsh Environments
- ★ Max. to 1500nits, Optional High Brightness/ Sunlight Readable
- ★ Optional Antibacterial/Anti-Glare/AR/AF/AS Surface Treatment



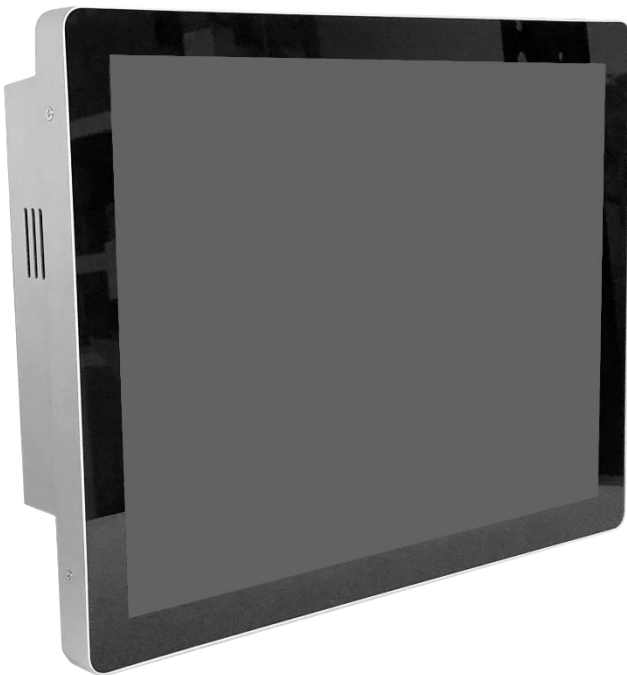
Desktop Stand



Side Brackets



Wall Mounting



PSE



BSMI



FCC



CE



RoHS



ISO9001



System Specifications

CPU	Intel® Quad-Core Pentium®
Memory	DDR3 SO-DIMM 8G
Storage	mSATA/mPCIe2 x1
GPU	Realtek ALC255 Audio CODEC
Network	Realtek Gbe LAN Chips x1
Hardware Monitoring	Voltage / Temperature / Fan Speed Detection, Control
OS	Windows 10 64-bit

Display Specifications

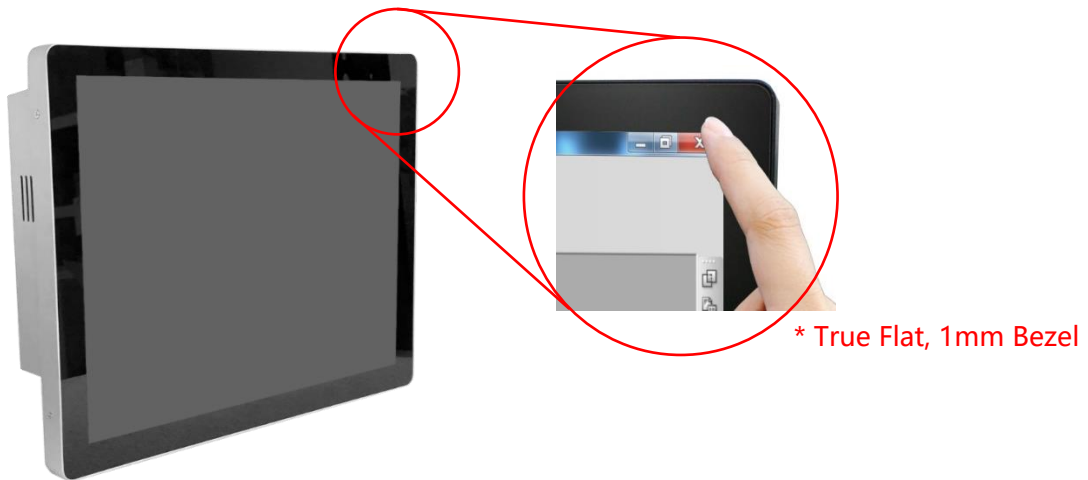
Screen Diagonal	15.0 inch	Display Mode	Normally Black
Display Area	304.1x228.1	Backlight Unit	LED (white LED)
Resolution	1024x768	Viewing Angle (L/R, U/D)	176°/176°
Contrast Ratio	2500:1	Backlight Lifetime	>70,000 Hours
Display Ratio	4:3	Operating Temp.	-30~70°C
Support Colors	16.7M Colors	Storage Temp.	-40~70°C
Pixel Pitch	297x297 um	Surface Treatment	Anti-glare, Hardness 3H
Response Time	21 msec.		

Display Options

Brightness			
	Brightness	Environment	Model Name
Standard	300nits	General (Indoor)	NTWP150NXSXX-GPXX8XX-XXX4-500E
Option 1	1000nits	Outdoor Environment	NTWP150ASXX-GPXX8XX-XXX4-500E
Option 2	1500nits	Sunlight Readable	NTWP150FXSXX-GPXX8XX-XXX4-500E

Touch Options

Projected Capacitive			
Model Name	NTWP150 <u>X</u> <u>P</u> <u>S</u> <u>X</u> <u>X</u> - <u>G</u> <u>P</u> <u>X</u> <u>X</u> <u>8</u> <u>X</u> <u>X</u> - <u>X</u> <u>X</u> <u>X</u> <u>4</u> -500E		
Touch Technology	Projected Capacitive	Thickness of Cover Lens	1.8±0.2mm
Allowed Touch Points	10 points	Hardness of Cover Lens	7H
Transparency	≥87%	IK Ratings	IK07
Accuracy	99.00%		



Non-Touch	
Model Name	NTWP150 <u>X</u> <u>0</u> <u>S</u> <u>X</u> <u>X</u> - <u>G</u> <u>P</u> <u>X</u> <u>X</u> <u>8</u> <u>X</u> <u>X</u> - <u>X</u> <u>X</u> <u>X</u> <u>4</u> -500E

Surface Treatment Options		
	Description	Model Name
Standard	(none)	NTWP150<u>X</u><u>X</u><u>S</u><u>0</u><u>0</u>-<u>G</u><u>P</u><u>X</u><u>X</u><u>8</u><u>X</u><u>X</u>-<u>X</u><u>X</u><u>X</u><u>4</u>-500E
Option	Anti-Glare Coating	NTWP150 <u>X</u> <u>X</u> <u>S</u> <u>G</u> <u>G</u> - <u>G</u> <u>P</u> <u>X</u> <u>X</u> <u>8</u> <u>X</u> <u>X</u> - <u>X</u> <u>X</u> <u>X</u> <u>4</u> -500E
Option	Antibacterial (AB Film)	NTWP150 <u>X</u> <u>X</u> <u>S</u> <u>A</u> <u>B</u> - <u>G</u> <u>P</u> <u>X</u> <u>X</u> <u>8</u> <u>X</u> <u>X</u> - <u>X</u> <u>X</u> <u>X</u> <u>4</u> -500E
Option	Anti-Glare +UV-Cut (AG+UV Film)	NTWP150 <u>X</u> <u>X</u> <u>S</u> <u>G</u> <u>U</u> - <u>G</u> <u>P</u> <u>X</u> <u>X</u> <u>8</u> <u>X</u> <u>X</u> - <u>X</u> <u>X</u> <u>X</u> <u>4</u> -500E
Option	Anti-Glare +Fouling/Fingerprint (AG+AFP Film)	NTWP150 <u>X</u> <u>X</u> <u>S</u> <u>G</u> <u>P</u> - <u>G</u> <u>P</u> <u>X</u> <u>X</u> <u>8</u> <u>X</u> <u>X</u> - <u>X</u> <u>X</u> <u>X</u> <u>4</u> -500E
Option	Anti-Reflective +Fouling/Fingerprint (AR+AFP Film)	NTWP150 <u>X</u> <u>X</u> <u>S</u> <u>R</u> <u>P</u> - <u>G</u> <u>P</u> <u>X</u> <u>X</u> <u>8</u> <u>X</u> <u>X</u> - <u>X</u> <u>X</u> <u>X</u> <u>4</u> -500E
Option	Anti-Glare +Reflective +Fouling/Fingerprint (AG+AR+AFP Film)	NTWP150 <u>X</u> <u>X</u> <u>S</u> <u>G</u> <u>R</u> - <u>G</u> <u>P</u> <u>X</u> <u>X</u> <u>8</u> <u>X</u> <u>X</u> - <u>X</u> <u>X</u> <u>X</u> <u>4</u> -500E
Option	Anti-Spy (AS Film)	NTWP150 <u>X</u> <u>X</u> <u>S</u> <u>S</u> <u>F</u> - <u>G</u> <u>P</u> <u>X</u> <u>X</u> <u>8</u> <u>X</u> <u>X</u> - <u>X</u> <u>X</u> <u>X</u> <u>4</u> -500E



System Options

CPU		
	Item	Model Name
Standard	N3450	NTWP150XXSXX-GP<u>C</u>28XX-XXX4-500E
Option	N4200	NTWP150XXSXX-GP <u>C</u> 48XX-XXX4-500E

Storage		
	Item	Model Name
Standard	SSD 128G	NTWP150XXSXX-GPXX8<u>S</u>1-XXX4-500E
Option 1	SSD 256G	NTWP150XXSXX-GPXX8 <u>S</u> 2-XXX4-500E
Option 2	SSD 512G	NTWP150XXSXX-GPXX8 <u>S</u> 3-XXX4-500E

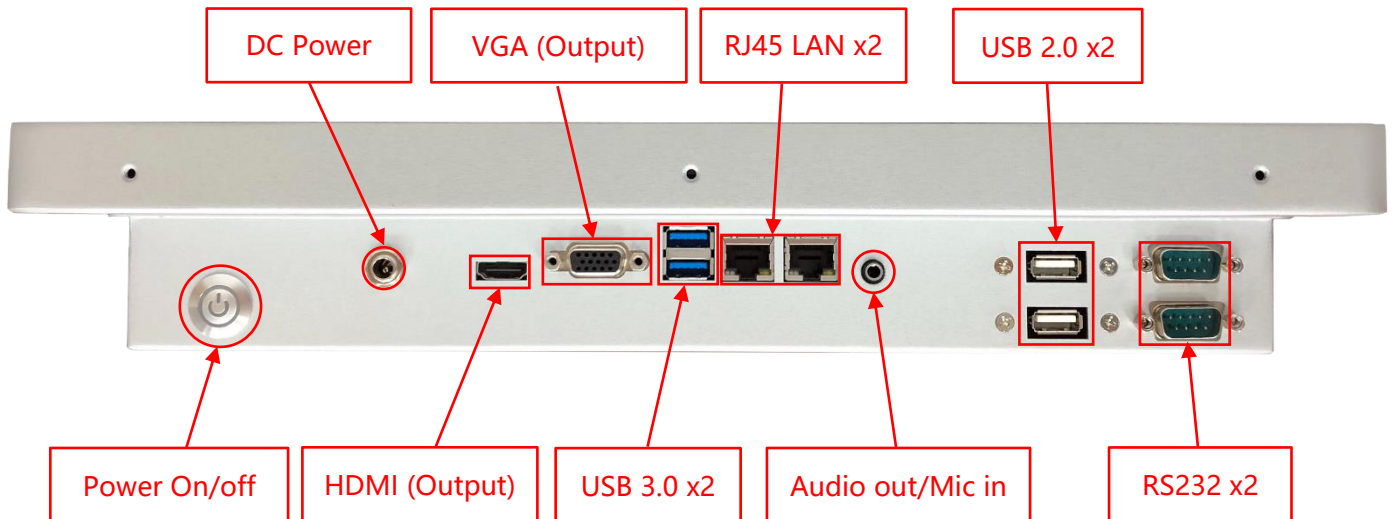
Material of Cabinet		
	Description	Model Name
Standard	SECC	NTWP150XXSXX-GPXX8XX-<u>S</u>XX4-500E
Option 1	Stainless Steel	NTWP150XXSXX-GPXX8XX- <u>L</u> XX4-500E
Option 2	Aluminum	NTWP150XXSXX-GPXX8XX- <u>A</u> XX4-500E

Color of Cabinet		
	Description	Model Name
Standard	Silver	NTWP150XXSXX-GPXX8XX-<u>X</u>SX4-500E
Option 1	White	NTWP150XXSXX-GPXX8XX- <u>X</u> WX4-500E
Option 2	Black	NTWP150XXSXX-GPXX8XX- <u>X</u> BX4-500E
Options	Other Color	NTWP150XXSXX-GPXX8XX- <u>X</u> XX4-500E

* X = A~Z, 0~9 (Depends on Color)

Cooling Fan		
	Description	Model Name
Standard	7 Blades/4000rpm/Max.10.96CFM/28.3dB	NTWP150XXSXX-GPXX8XX-<u>XX</u>F4-500E
Option	Fanless	NTWP150XXSXX-GPXX8XX- <u>XX</u> 04-500E

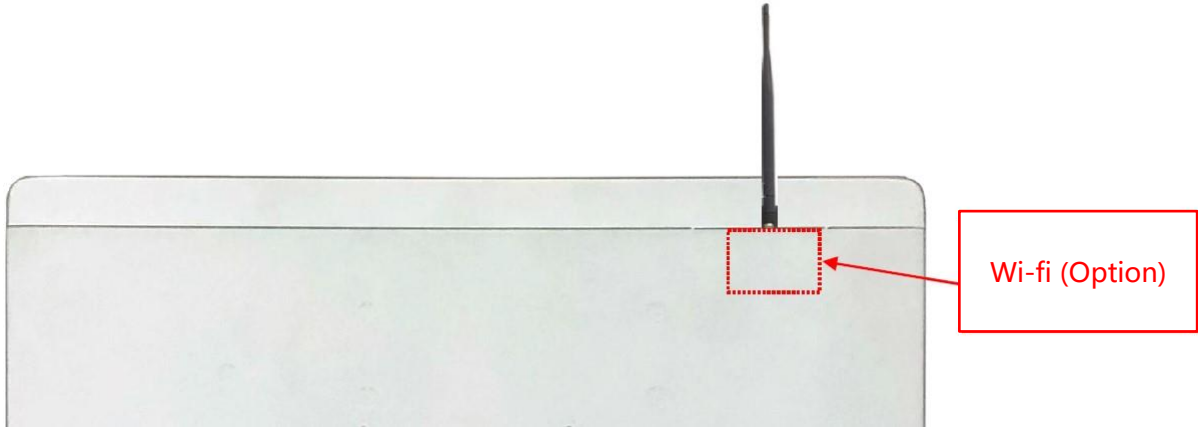
Input /Output System



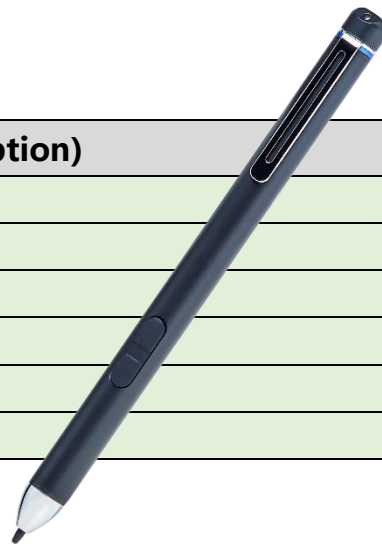
Input / Output	Connectors	Input / Output	Connectors
HDMI (Output)	1	USB 3.0	2
VGA (Output)	1	USB 2.0	2
Audio Output /Mic Input (3.5mm)	1	RS232	2
DC Power Input	1	LAN (RJ45)	2
Speakers	2W x2	Wi-Fi/Bluetooth & Antenna	Option

Other Options

Wireless Network (Option)	
Spec	Wi-Fi a/b/g/n/ac, Dual Mode Bluetooth 2.1/2.1+EDR,3.0,3.0+HS,4.0 (BLE) (Wi-Fi+BT4.0)

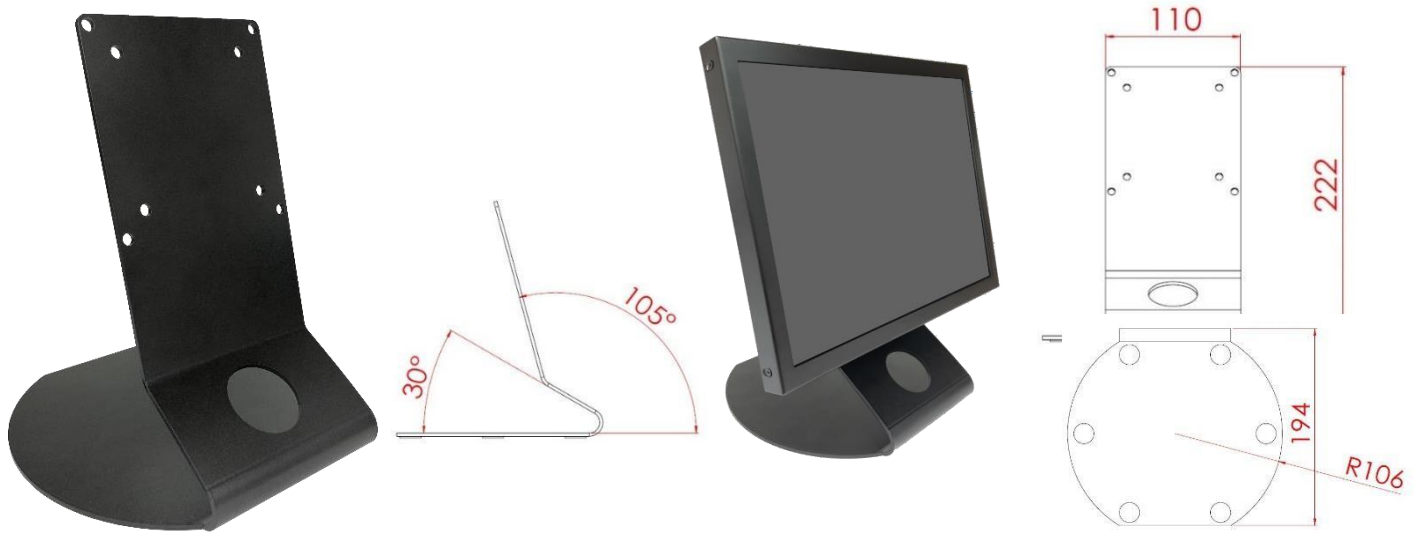


Active Stylus (Option)	
Technology	Active Capacitive Coupled
Working Frequencies	90~250 KHZ
Pressure Level	256~1024 Levels
Side Buttons	2 Side Buttons (Eraser, Barrel)
Active Tip Force	5~25g
Max. Tip Force	400g

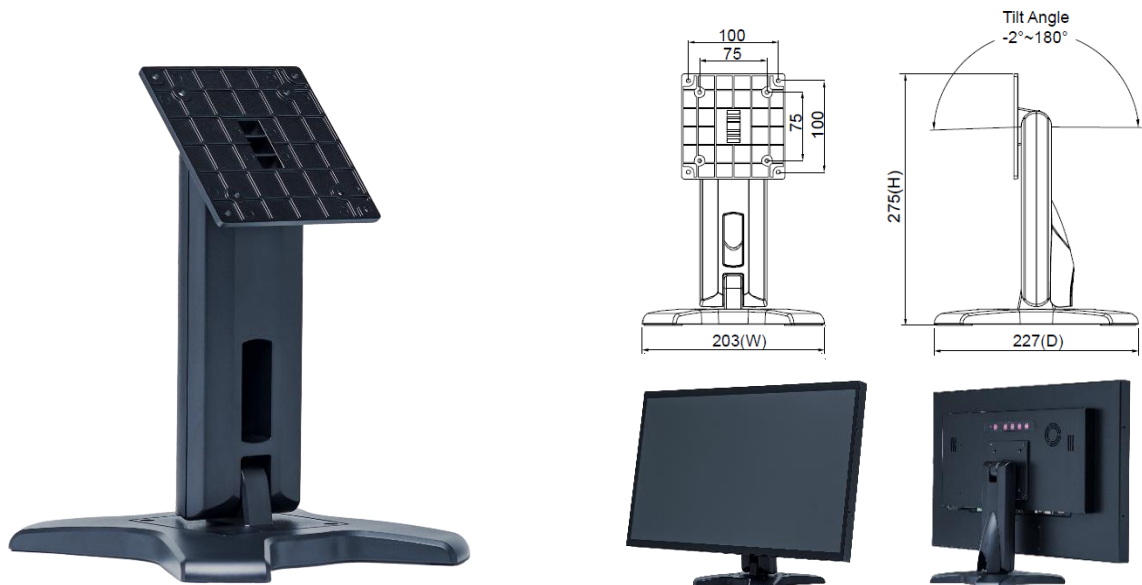


Desktop Stand (Option)

Item	L Stand	Part No.	DST-0B004/DST-1B004
Mounting Pattern	100x100 / 75x75 mm	Dimension (WxHxD)	194x194x222 mm
Material	SECC	Net Weight	1.4 KG
Tilt (Hinge)	105°	Support Max. Weight	15 KG



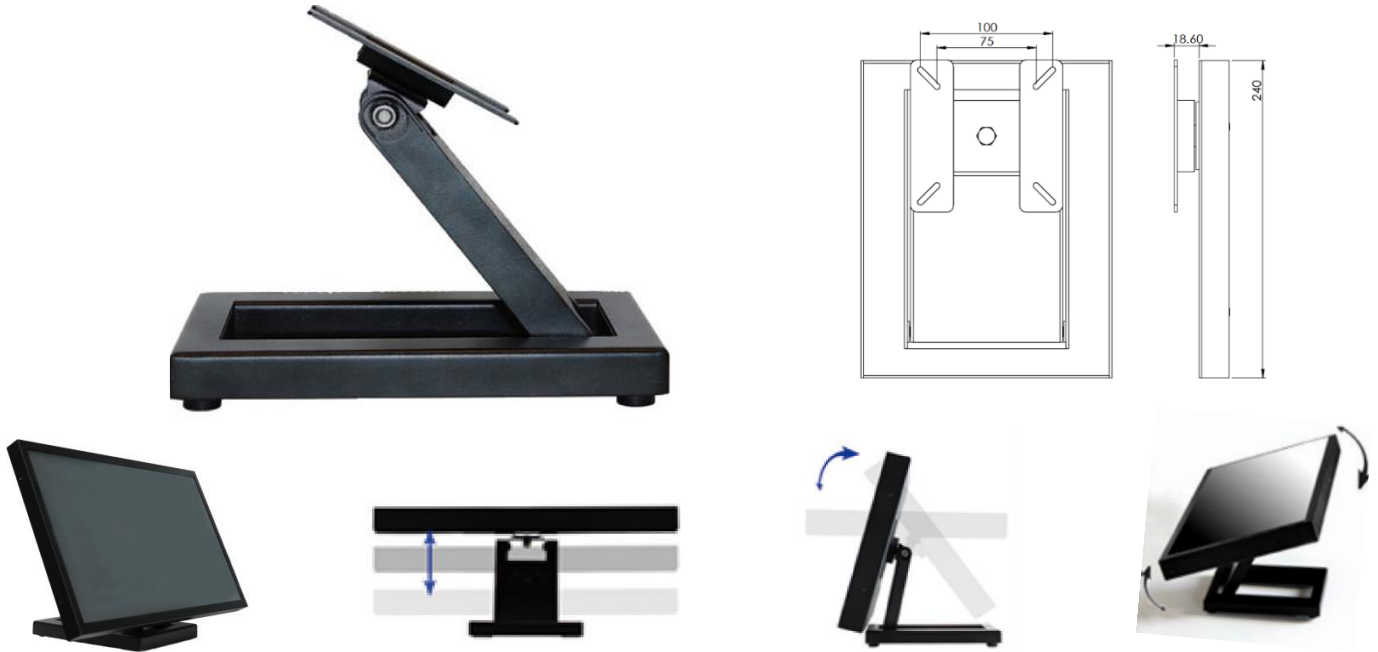
Item	B Stand	Part No.	DST-0B002/DST-1B002
Mounting Pattern	100x100 / 75x75 mm	Dimension (WxHxD)	203x275x227 mm
Material	Steel/Plastic/Aluminum	Net Weight	1.8 KG
Tilt (Hinge)	-2° ~ +180°	Support Max. Weight	15 KG



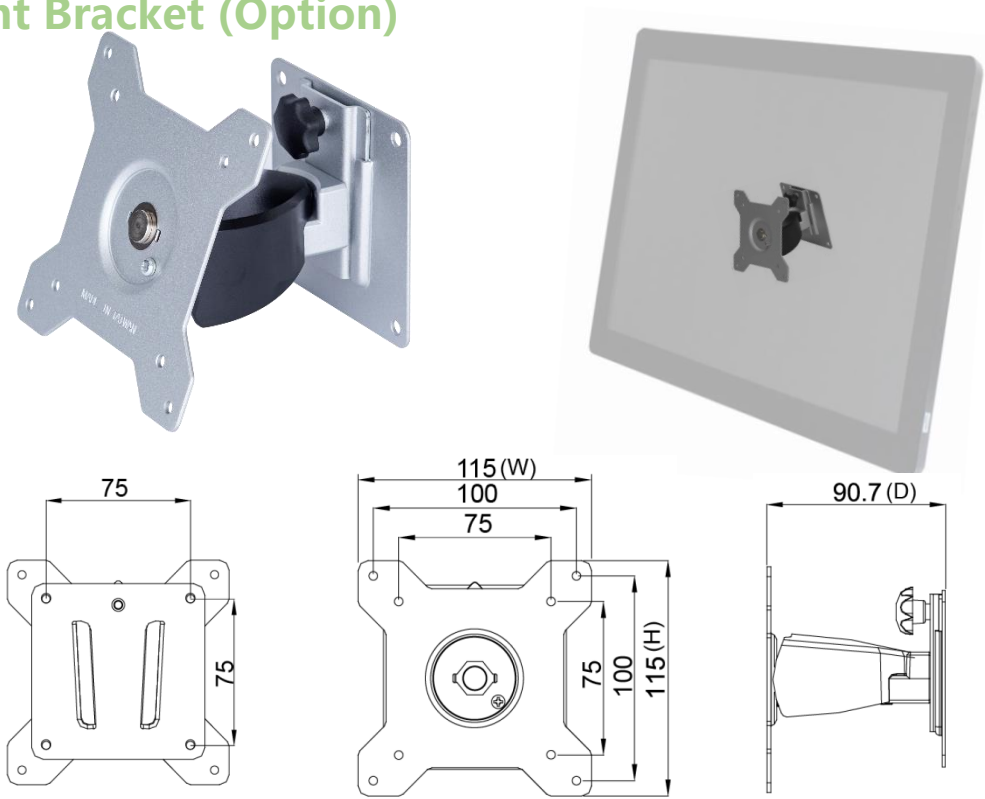


Desktop Stand (Option)

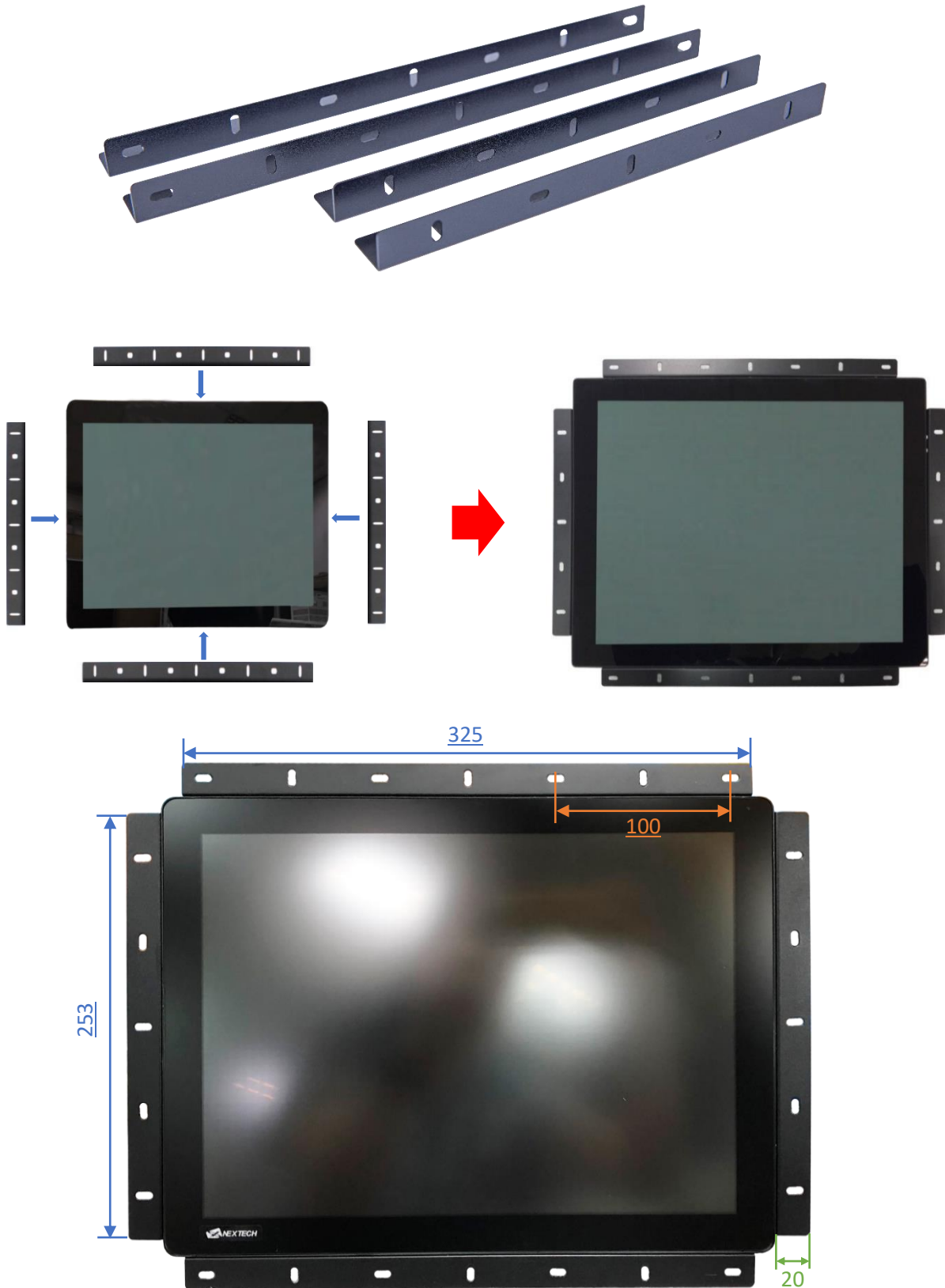
Item	Z Stand	Part No.	DST-0BZ01/DST-1BZ01
Mounting Pattern	100x100 / 75x75 mm	Dimension (WxHxD)	190x240x41.6mm
Material	SECC	Net Weight	2.6 KG
Tilt (Hinge)	±360°	Support Max. Weight	15 KG



Wall Mount Bracket (Option)



Open-frame Brackets (Option)



Front Cover (Option)



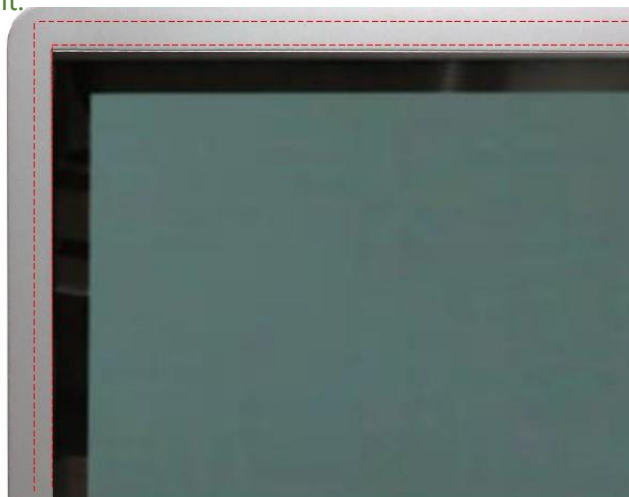
The standard **NTWP150** is true flat surface.

To protect the corners of the touch screen, the Front Cover can be added.



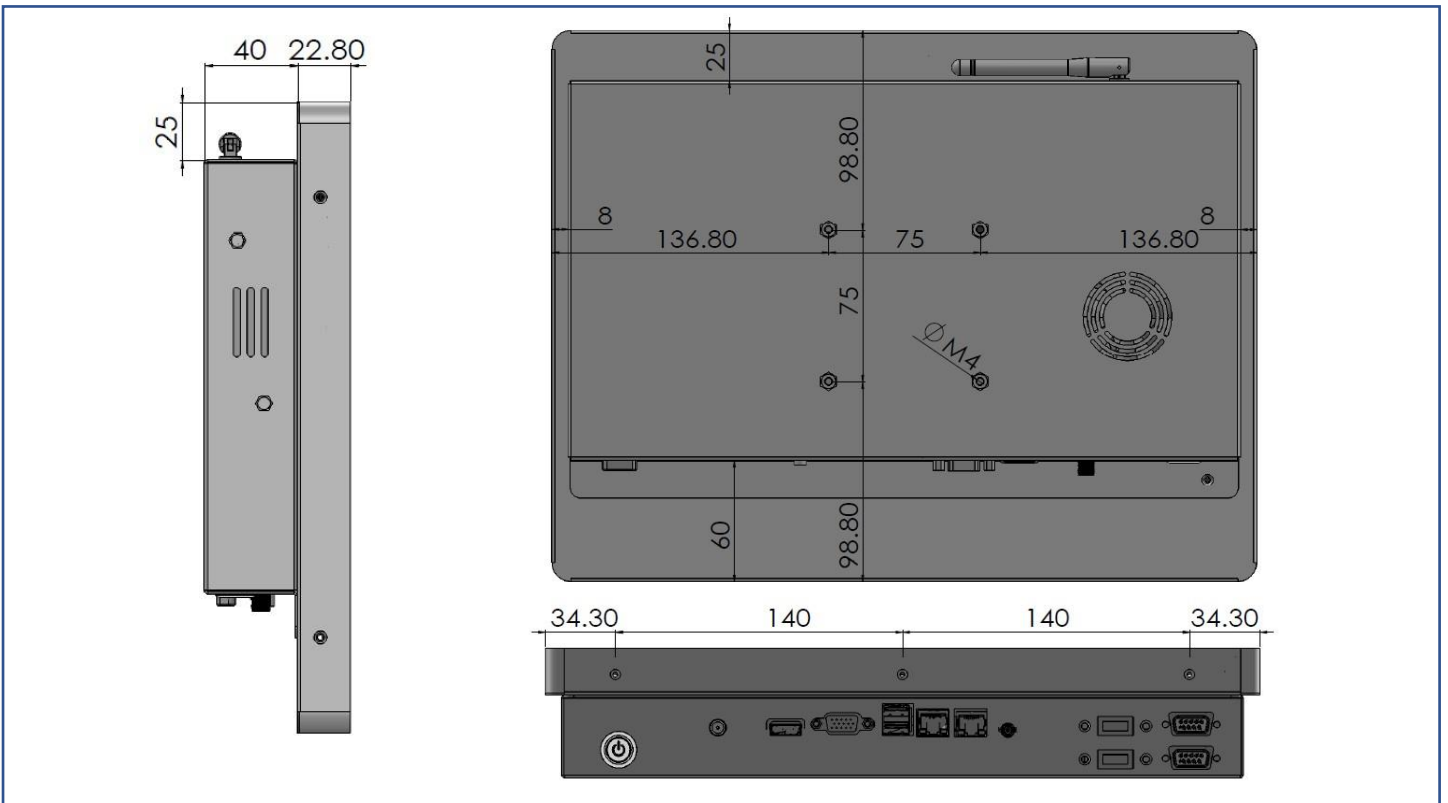
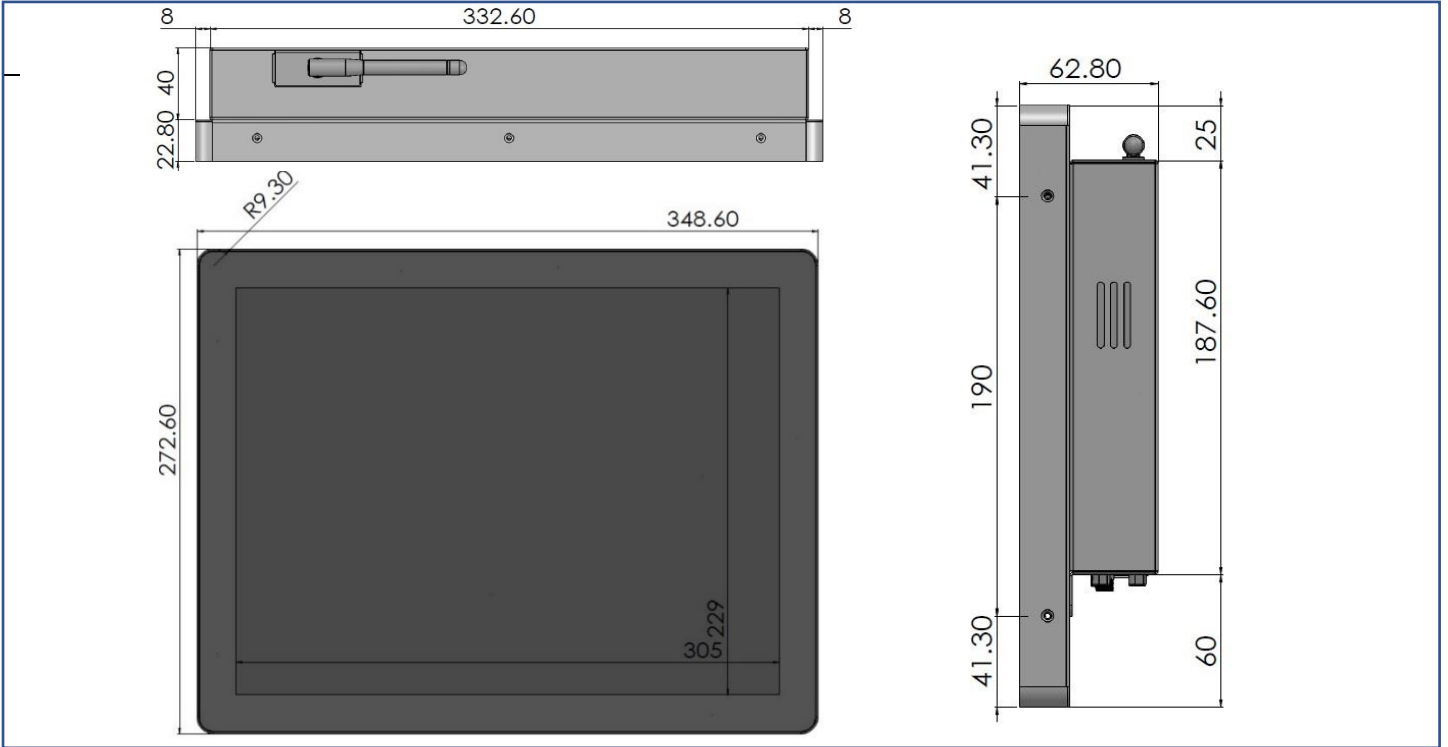
The watertight gasket can be added between the **Front Cover** and **NTWP150**.

It complies **IP65** on front.



Physical Specifications

Dimension	349x273x63(±2)mm (W/O Antenna)	Net Weight	≤4.4 KG
VESA Mounting	75x75 mm	Gross Weight	≤6.7 KG



Packing Information



Dimensions of Carton	480x195x430 mm
Net Weight	≤4.4 KG
Gross Weight	≤6.7 KG

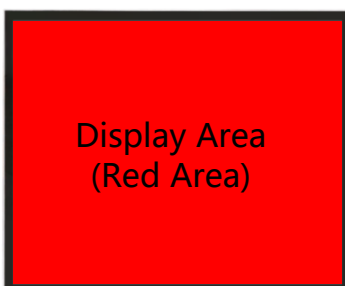
Cosmetic Inspection Standard

Display Area Allowance			
Defect description	Defective Specifications	Allowance	Remarks
Dot Defect (including dark dot, particles, bubbles, pits, dust, foreign matter)	$D \leq 0.2\text{mm}$	Ignored	D=Diameter
	$0.2 < D \leq 0.7\text{mm}$	$N \leq 5$	N=Quantity
	$0.7 < D \leq 1\text{mm}$	$N \leq 3$	
	$D > 1\text{mm}$	$N \leq 0$	
Linear Defect (including scratches, fluff, particles)	$W \leq 0.15\text{mm}$	Ignored	W=Width
	$0.15 < W \leq 0.5\text{mm}, L \leq 15\text{mm}$	$N \leq 2$	L=Length
	$W > 0.5\text{mm}$ or $L > 15\text{mm}$	NG	

* Visual inspection distance: 60cm, 90 degree (same for front/side/back)

Front Appearance Allowance (Including Coating)			
Defect description	Defective Specifications	Allowance	Remarks
Dot Defect (including particles, bubbles, pits...etc.)	$D \leq 0.7\text{mm}$	Ignored	D=Diameter
	$0.7 < D \leq 1.5\text{mm}$	$N \leq 3$	N=Quantity
	$D > 1.5\text{mm}$	$N \leq 0$	
Linear Defect (including scratches, fluff, particles)	$W \leq 0.2\text{mm}, L \leq 15\text{mm}$	Ignored	W=Width, L=Length
	$0.2 < W \leq 0.7\text{mm}, L \leq 15\text{mm}$	$N \leq 1$	
	$W > 0.7\text{mm}$ or $L > 15\text{mm}$	NG	

Side / Back Appearance Allowance (Including Coating)			
Defect description	Defective Specifications	Allowance	Remarks
Dot Defect (including particles, bubbles, pits...etc.)	$D \leq 1.5\text{mm}$	Ignored	D=Diameter
	$1.5 < D \leq 3\text{mm}$	$N \leq 8$	N=Quantity
	$D > 3\text{mm}$	$N \leq 2$	
Linear Defect (including scratches, fluff, particles)	$W \leq 0.8\text{mm}, L \leq 15\text{mm}$	Ignored	W=Width, L=Length
	$0.8 < W \leq 1.5\text{mm}, L \leq 15\text{mm}$	$N \leq 5$	
	$W > 1.5\text{mm}$ or $L > 15\text{mm}$	NG	



Display Area
(Red Area)



Front Appearance (Red Area)



Back Appearance