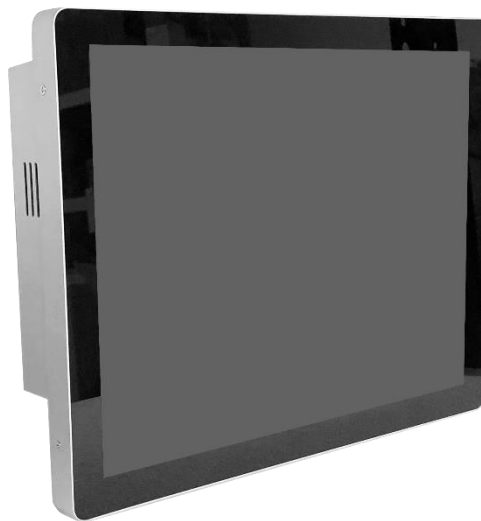




Product Specifications

Customer	
Model	NTWP150-2 V500E
Model No.	NTWP150 <u>XX</u> 2 <u>XX</u> -GP <u>XX</u> 8 <u>XX</u> - <u>XXX</u> 4-500E

* X = A~Z, 0~9 (Depends on Options.)



Records of Revision			
Vision	Modifying	Old Description	New Description
v2012.1	Preliminary Specification		



Features

- ★ 15" Industrial Panel, 1024x768 (XGA) Resolution
- ★ Wide Viewing Angle (176°/176°)
- ★ Operating Temperature Range -30~80°C
- ★ Intel® Quad-Core N3450/N4200 CPU
- ★ DDR3 8G DRAM , SSD 128/256/512G
- ★ Projected Capacitive Touch Screen with 7H Hardness Tempered Cover Glass
- ★ 10 points Multi-touch , Supports Active Stylus
- ★ Metal Cabinet with Diverse Combine Options
- ★ Made in Taiwan, 3 Years Warranty, Designed for Harsh Environments
- ★ Max. to 1500nits, Optional High Brightness/ Sunlight Readable
- ★ Optional Antibacterial/Anti-Glare/AR/AF/AS Surface Treatment



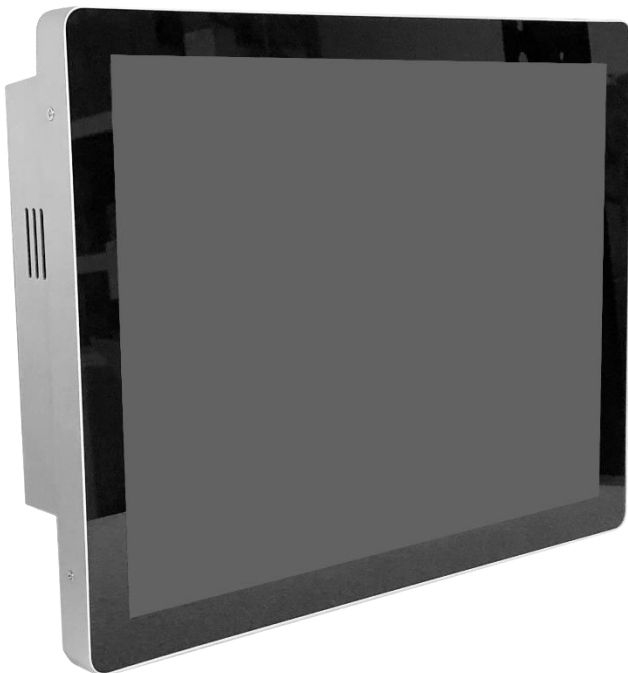
Desktop Stand



Side Brackets



Wall Mounting



PSE



BSMI



FCC



CE



RoHS



ISO9001



System Specifications

CPU	Intel® Quad-Core Pentium®
Memory	DDR3 SO-DIMM 8G
Storage	mSATA/mPCIe2 x1
GPU	Realtek ALC255 Audio CODEC
Network	Realtek Gbe LAN Chips x1
Hardware Monitoring	Voltage / Temperature / Fan Speed Detection, Control
OS	Windows 10 64-bit

Display Specifications

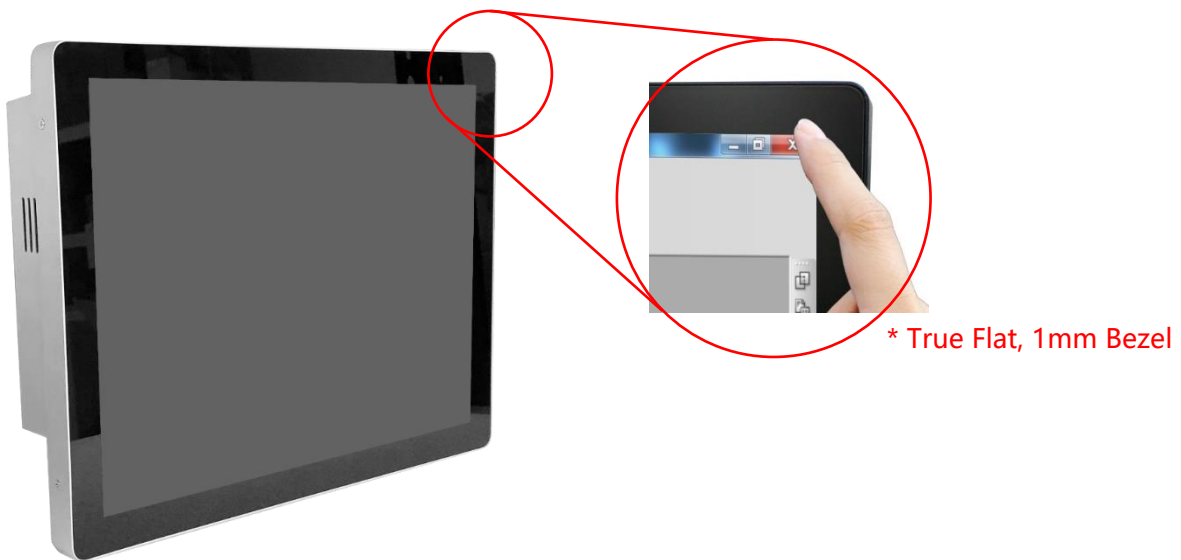
Screen Diagonal	15.0 inch	Display Mode	Normally Black
Display Area	304.1x228.1	Backlight Unit	LED (white LED)
Resolution	1024x768	Viewing Angle (L/R, U/D)	176°/176°
Contrast Ratio	2500:1	Backlight Lifetime	>70,000 Hours
Display Ratio	4:3	Operating Temp.	-30~80°C
Support Colors	16.7M Colors	Storage Temp.	-40~85°C
Pixel Pitch	297x297 um	Surface Treatment	Anti-glare, Hardness 3H
Response Time	18 msec.		

Display Options

Brightness			
	Brightness	Environment	Model Name
Standard	500nits	General (Indoor)	NTWP150NX2XX-GPXX8XX-XXX4-500E
Option 1	1000nits	Outdoor Environment	NTWP150AX2XX-GPXX8XX-XXX4-500E
Option 2	1500nits	Sunlight Readable	NTWP150FX2XX-GPXX8XX-XXX4-500E

Touch Options

Projected Capacitive			
Model Name	NTWP150 <u>P</u> 2XX-GPXX8XX-XXX4-500E		
Touch Technology	Projected Capacitive	Thickness of Cover Lens	1.8±0.2mm
Allowed Touch Points	10 points	Hardness of Cover Lens	7H
Transparency	≥87%	IK Ratings	IK07
Accuracy	99.00%		



Non-Touch	
Model Name	NTWP150 <u>0</u> 2XX-GPXX8XX-XXX4-500E

Surface Film Options		
	Description	Model Name
Standard	(none)	NTWP150XX2<u>00</u>-GPXX8XX-XXX4-500E
Option	Anti-Glare Coating	NTWP150XX2 <u>GG</u> -GPXX8XX-XXX4-500E
Option	Antibacterial (AB Film)	NTWP150XX2 <u>AB</u> -GPXX8XX-XXX4-500E
Option	Anti-Glare +UV-Cut (AG+UV Film)	NTWP150XX2 <u>GU</u> -GPXX8XX-XXX4-500E
Option	Anti-Glare +Fouling/Fingerprint (AG+AFP Film)	NTWP150XX2 <u>GP</u> -GPXX8XX-XXX4-500E
Option	Anti-Reflective +Fouling/Fingerprint (AR+AFP Film)	NTWP150XX2 <u>RP</u> -GPXX8XX-XXX4-500E
Option	Anti-Glare +Reflective +Fouling/Fingerprint (AG+AR+AFP Film)	NTWP150XX2 <u>GR</u> -GPXX8XX-XXX4-500E
Option	Anti-Spy (AS Film)	NTWP150XXS <u>SF</u> -GPXX8XX-XXX4-500E



System Options

CPU		
	Item	Model Name
Standard	N3450	NTWP150XX2XX-GP<u>C</u>28XX-XXX4-500E
Option	N4200	NTWP150XX2XX-GP <u>C</u> 48XX-XXX4-500E

Storage		
	Item	Model Name
Standard	SSD 128G	NTWP150XX2XX-GPXX8<u>S</u>1-XXX4-500E
Option 1	SSD 256G	NTWP150XX2XX-GPXX8 <u>S</u> 2-XXX4-500E
Option 2	SSD 512G	NTWP150XX2XX-GPXX8 <u>S</u> 3-XXX4-500E

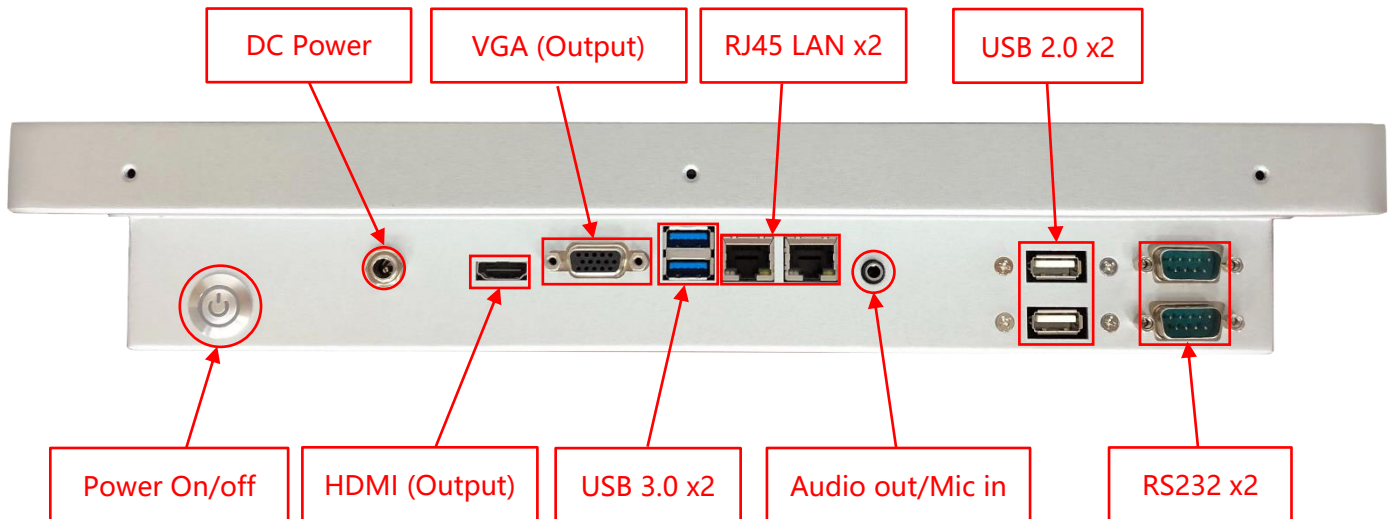
Material of Cabinet		
	Description	Model Name
Standard	SECC	NTWP150XX2XX-GPXX8XX-<u>S</u>XX4-500E
Option 1	Stainless Steel	NTWP150XX2XX-GPXX8XX- <u>L</u> XX4-500E
Option 2	Aluminum	NTWP150XX2XX-GPXX8XX- <u>A</u> XX4-500E

Color of Cabinet		
	Description	Model Name
Standard	Silver	NTWP150XX2XX-GPXX8XX-<u>X</u>SX4-500E
Option 1	White	NTWP150XX2XX-GPXX8XX- <u>X</u> WX4-500E
Option 2	Black	NTWP150XX2XX-GPXX8XX- <u>X</u> BX4-500E
Options	Other Color	NTWP150XX2XX-GPXX8XX- <u>X</u> XX4-500E

* X = A~Z, 0~9 (Depends on Color)

Cooling Fan		
	Description	Model Name
Standard	7 Blades/4000rpm/Max.10.96CFM/28.3dB	NTWP150XX2XX-GPXX8XX-<u>XX</u>F4-500E
Option	Fanless	NTWP150XX2XX-GPXX8XX- <u>XX</u> 04-500E

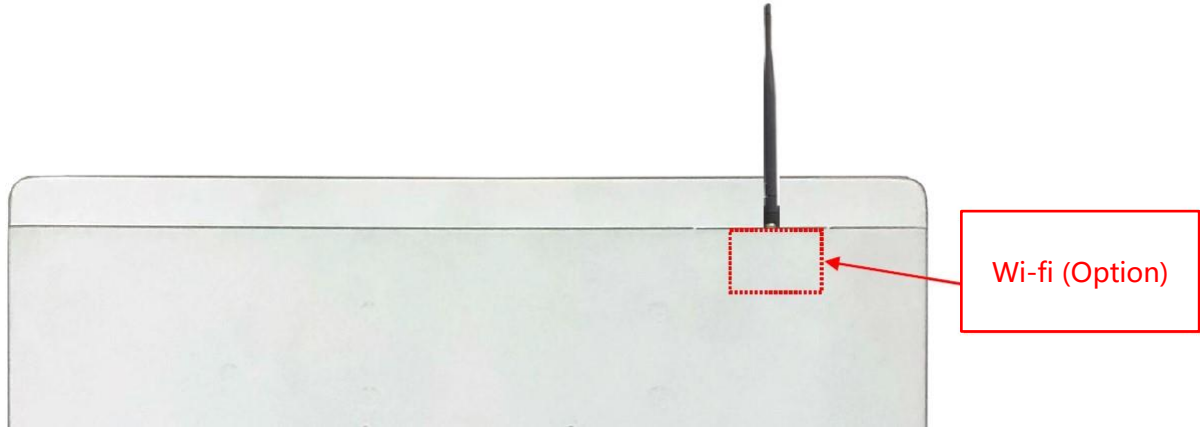
Input /Output System



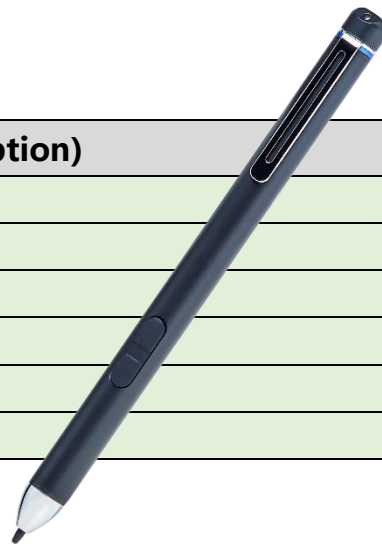
Input / Output	Connectors	Input / Output	Connectors
HDMI (Output)	1	USB 3.0	2
VGA (Output)	1	USB 2.0	2
Audio Output /Mic Input (3.5mm)	1	RS232	2
DC Power Input	1	LAN (RJ45)	2
Speakers	2W x2	Wi-Fi/Bluetooth & Antenna	Option

Other Options

Wireless Network (Option)	
Spec	Wi-Fi a/b/g/n/ac, Dual Mode Bluetooth 2.1/2.1+EDR,3.0,3.0+HS,4.0 (BLE) (Wi-Fi+BT4.0)

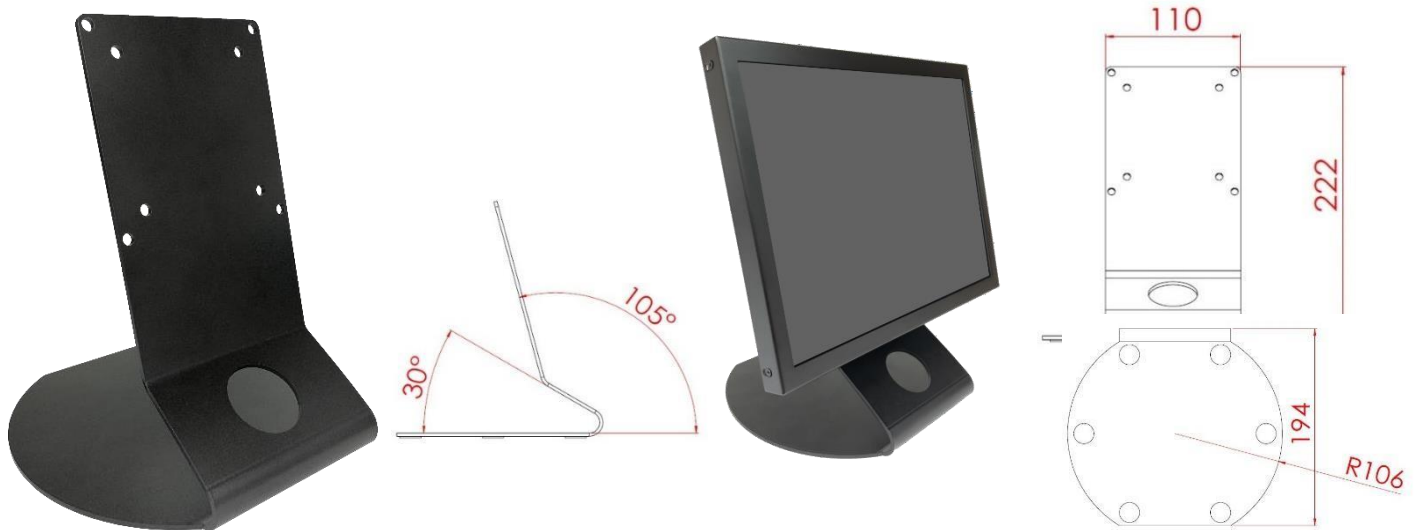


Active Stylus (Option)	
Technology	Active Capacitive Coupled
Working Frequencies	90~250 KHZ
Pressure Level	256~1024 Levels
Side Buttons	2 Side Buttons (Eraser, Barrel)
Active Tip Force	5~25g
Max. Tip Force	400g

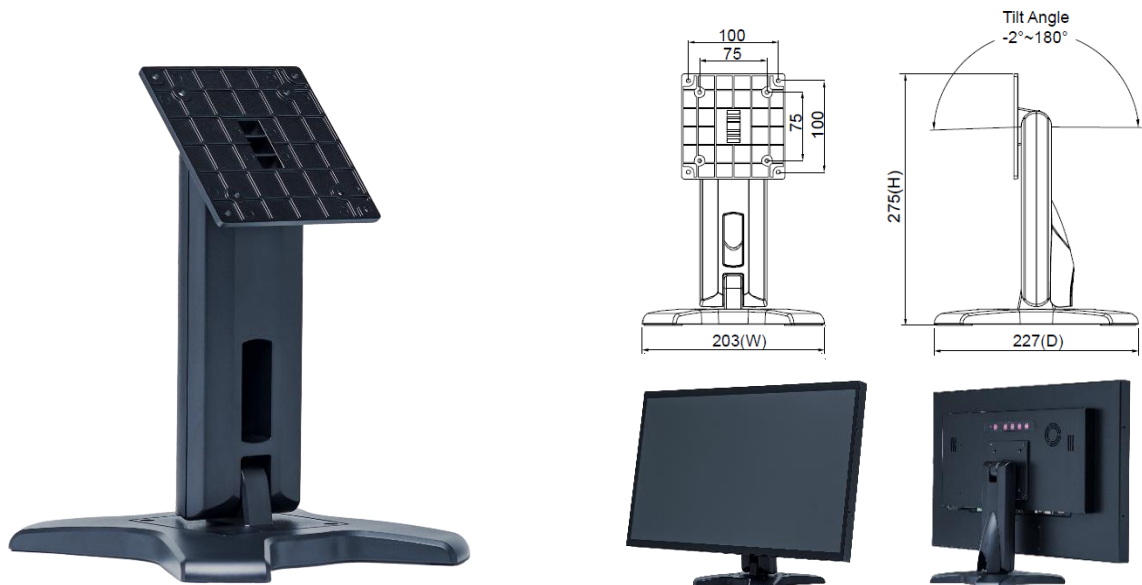


Desktop Stand (Option)

Item	L Stand	Part No.	DST-0B004/DST-1B004
Mounting Pattern	100x100 / 75x75 mm	Dimension (WxHxD)	194x194x222 mm
Material	SECC	Net Weight	1.4 KG
Tilt (Hinge)	105°	Support Max. Weight	15 KG



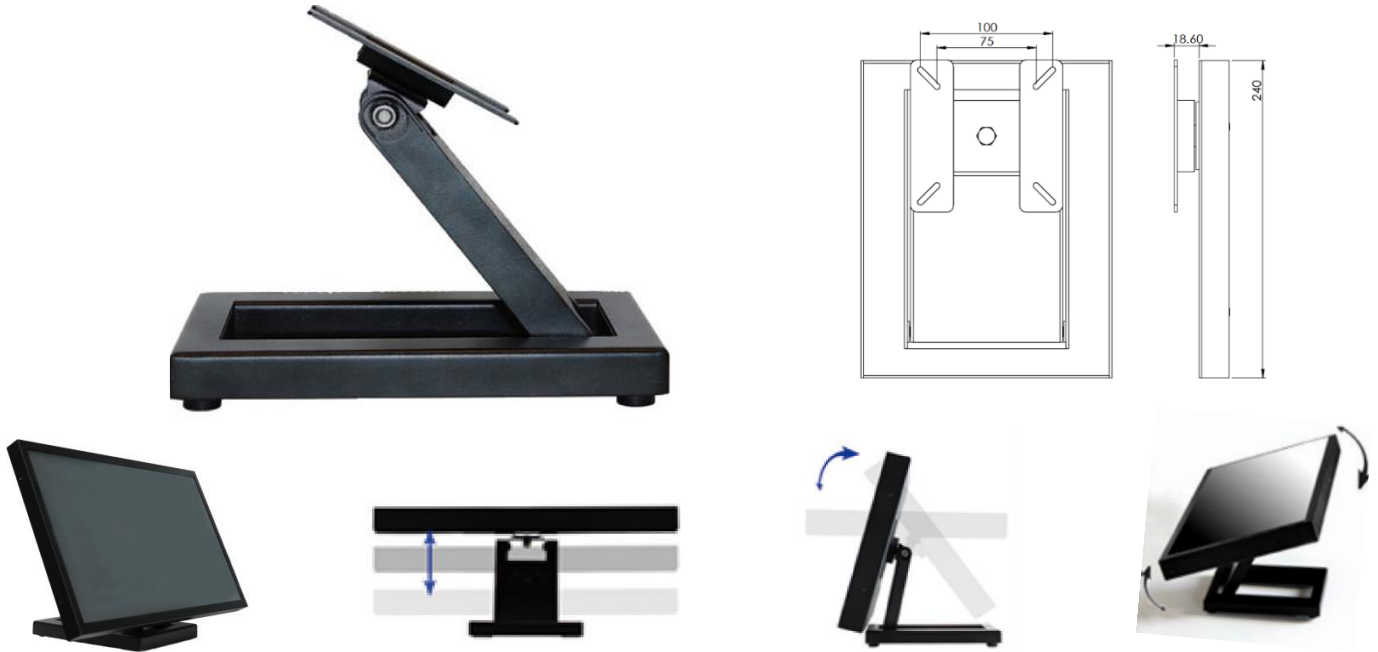
Item	B Stand	Part No.	DST-0B002/DST-1B002
Mounting Pattern	100x100 / 75x75 mm	Dimension (WxHxD)	203x275x227 mm
Material	Steel/Plastic/Aluminum	Net Weight	1.8 KG
Tilt (Hinge)	-2° ~ +180°	Support Max. Weight	15 KG



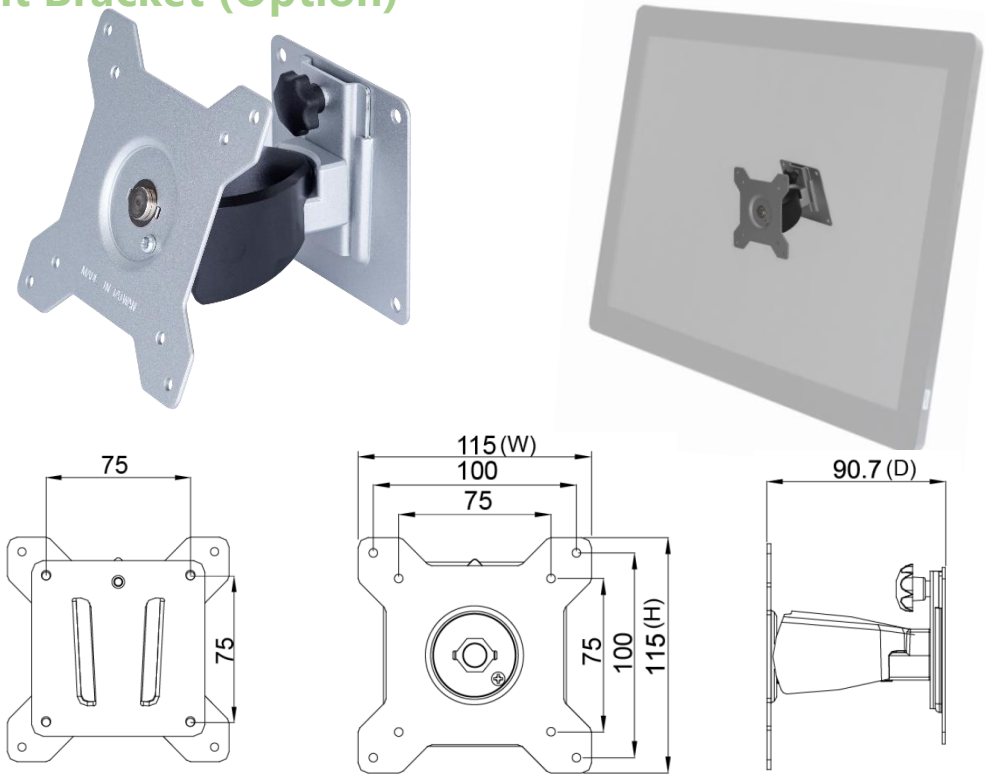


Desktop Stand (Option)

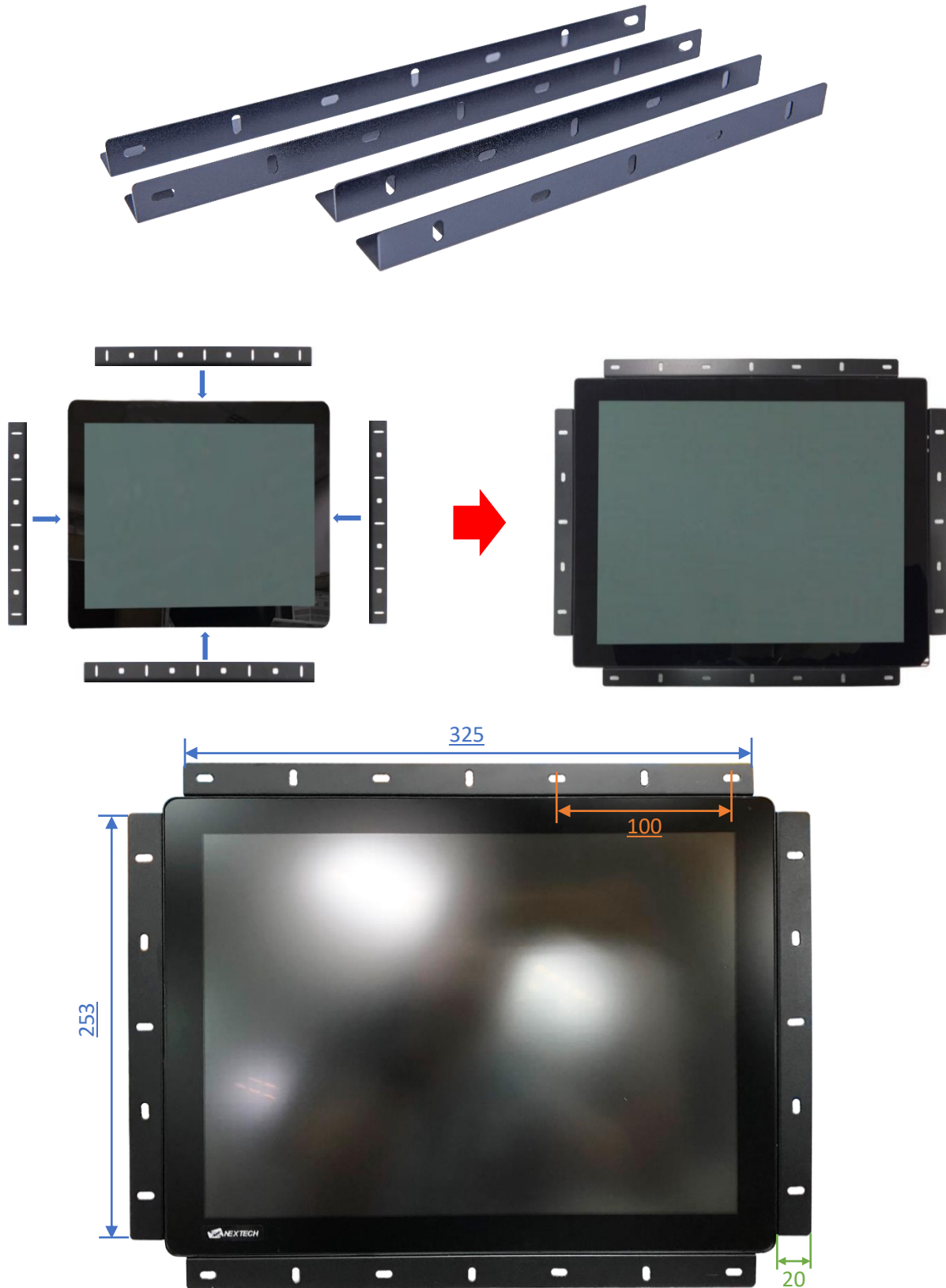
Item	Z Stand	Part No.	DST-0BZ01/DST-1BZ01
Mounting Pattern	100x100 / 75x75 mm	Dimension (WxHxD)	190x240x41.6mm
Material	SECC	Net Weight	2.6 KG
Tilt (Hinge)	±360°	Support Max. Weight	15 KG



Wall Mount Bracket (Option)



Open-frame Brackets (Option)



Front Cover (Option)



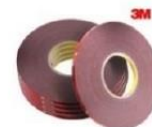
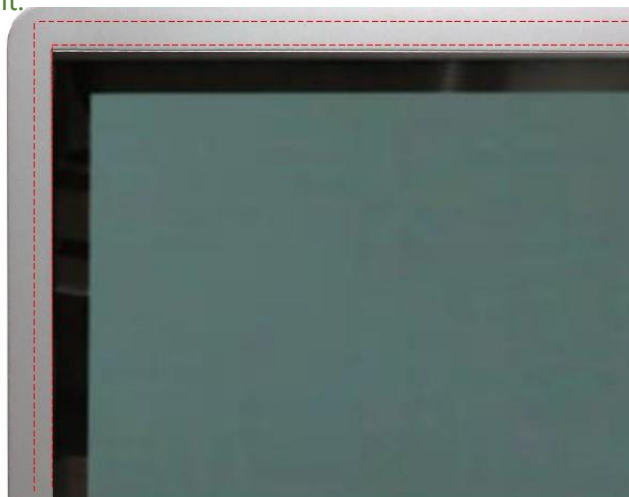
The standard **NTWP150** is true flat surface.

To protect the corners of the touch screen, the Front Cover can be added.



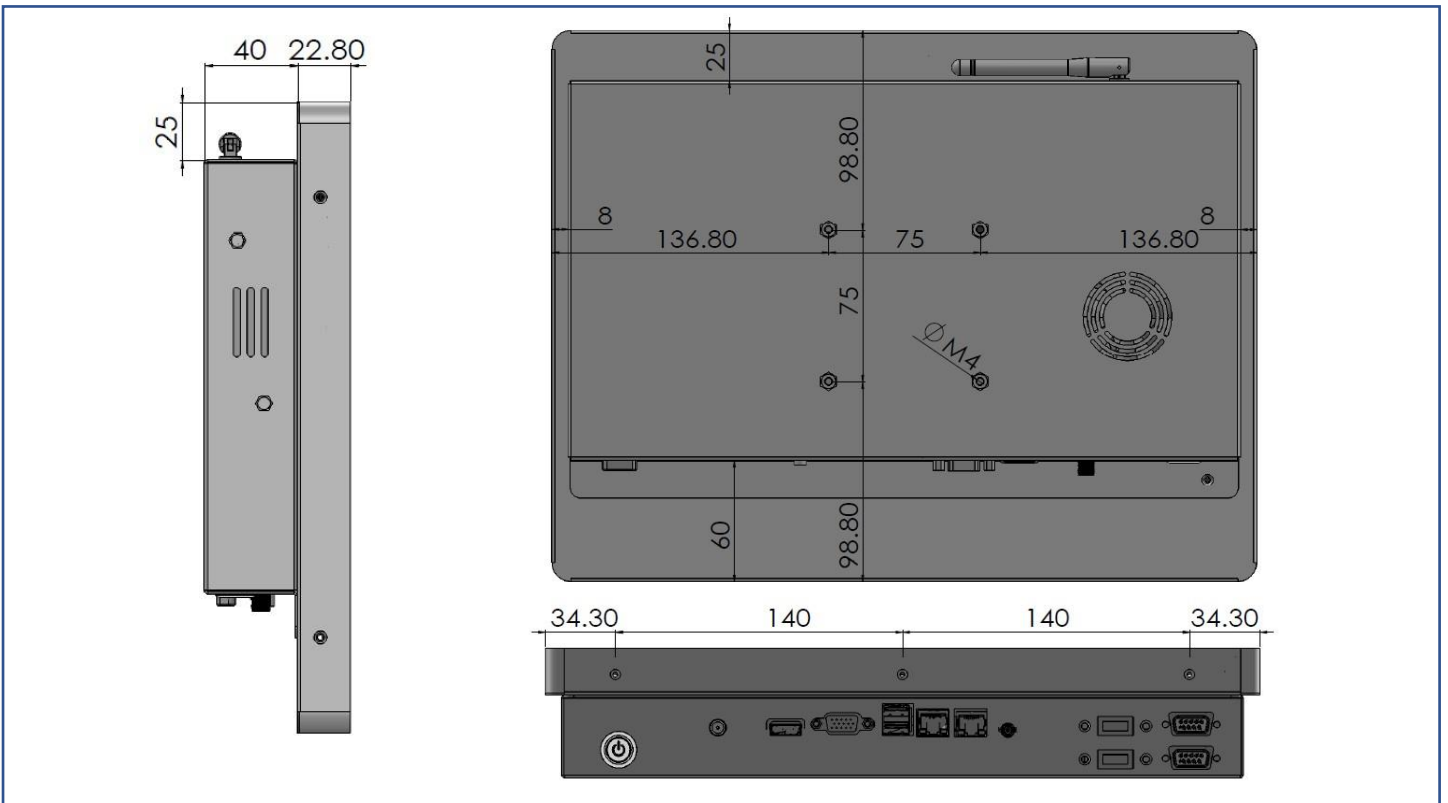
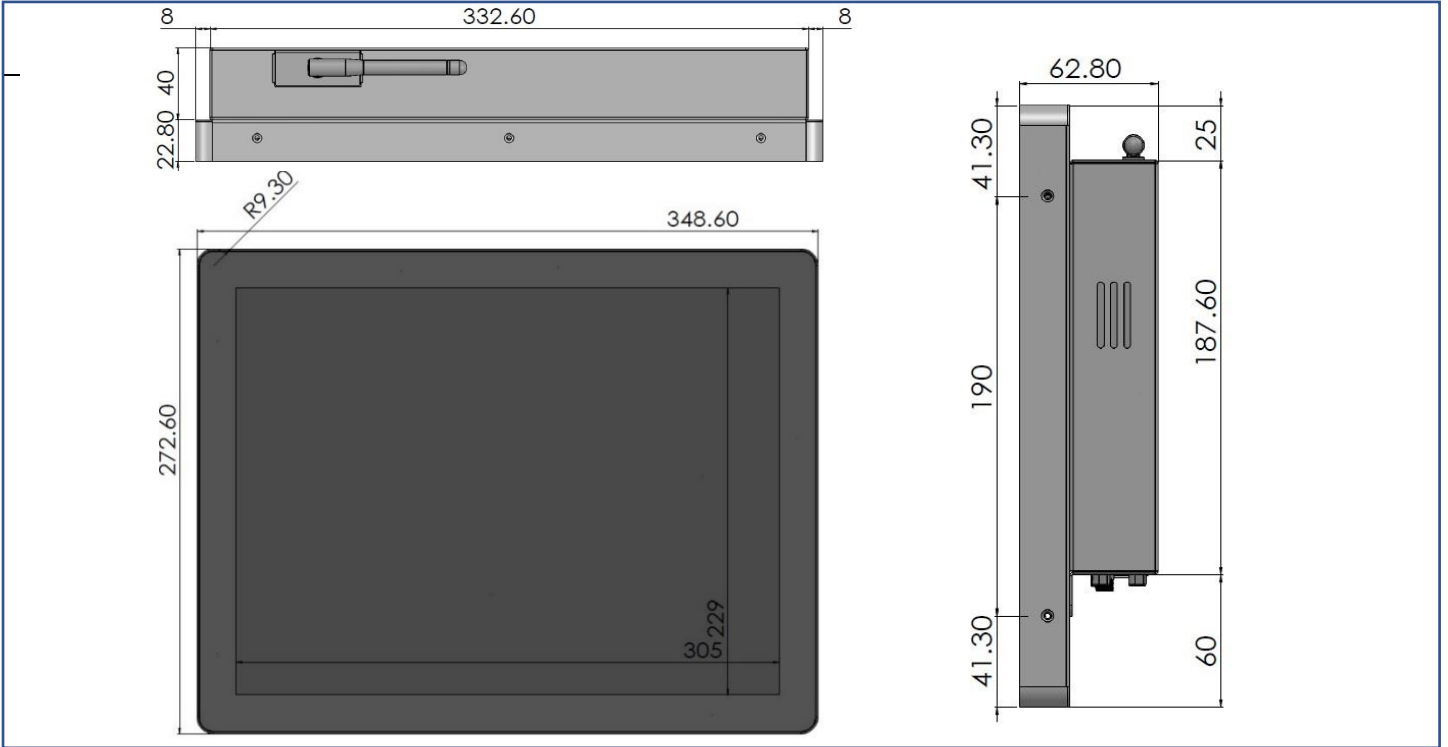
The watertight gasket can be added between the **Front Cover** and **NTWP150**.

It complies **IP65** on front.



Physical Specifications

Dimension	349x273x63(±2)mm (W/O Antenna)	Net Weight	≤4.4 KG
VESA Mounting	75x75 mm	Gross Weight	≤6.7 KG



Packing Information



Dimensions of Carton	480x195x430 mm
Net Weight	≤4.4 KG
Gross Weight	≤6.7 KG

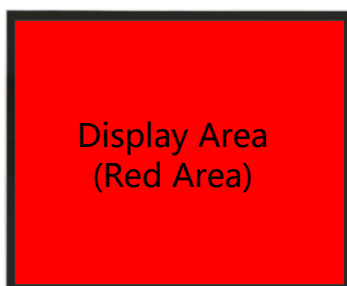
Cosmetic Inspection Standard

Display Area Allowance			
Defect description	Defective Specifications	Allowance	Remarks
Dot Defect (including dark dot, particles, bubbles, pits, dust, foreign matter)	$D \leq 0.2\text{mm}$	Ignored	D=Diameter
	$0.2 < D \leq 0.7\text{mm}$	$N \leq 5$	N=Quantity
	$0.7 < D \leq 1\text{mm}$	$N \leq 3$	
	$D > 1\text{mm}$	$N \leq 0$	
Linear Defect (including scratches, fluff, particles)	$W \leq 0.15\text{mm}$	Ignored	W=Width
	$0.15 < W \leq 0.5\text{mm}, L \leq 15\text{mm}$	$N \leq 2$	L=Length
	$W > 0.5\text{mm}$ or $L > 15\text{mm}$	NG	

* Visual inspection distance: 60cm, 90 degree (same for front/side/back)

Front Appearance Allowance (Including Coating)			
Defect description	Defective Specifications	Allowance	Remarks
Dot Defect (including particles, bubbles, pits...etc.)	$D \leq 0.7\text{mm}$	Ignored	D=Diameter
	$0.7 < D \leq 1.5\text{mm}$	$N \leq 3$	N=Quantity
	$D > 1.5\text{mm}$	$N \leq 0$	
Linear Defect (including scratches, fluff, particles)	$W \leq 0.2\text{mm}, L \leq 15\text{mm}$	Ignored	W=Width, L=Length
	$0.2 < W \leq 0.7\text{mm}, L \leq 15\text{mm}$	$N \leq 1$	
	$W > 0.7\text{mm}$ or $L > 15\text{mm}$	NG	

Side / Back Appearance Allowance (Including Coating)			
Defect description	Defective Specifications	Allowance	Remarks
Dot Defect (including particles, bubbles, pits...etc.)	$D \leq 1.5\text{mm}$	Ignored	D=Diameter
	$1.5 < D \leq 3\text{mm}$	$N \leq 8$	N=Quantity
	$D > 3\text{mm}$	$N \leq 2$	
Linear Defect (including scratches, fluff, particles)	$W \leq 0.8\text{mm}, L \leq 15\text{mm}$	Ignored	W=Width, L=Length
	$0.8 < W \leq 1.5\text{mm}, L \leq 15\text{mm}$	$N \leq 5$	
	$W > 1.5\text{mm}$ or $L > 15\text{mm}$	NG	



Display Area
(Red Area)



Front Appearance (Red Area)



Back Appearance