



Product Specifications

Customer	
Model Name	NTWP156-1 V502E
Model Number	NTWP156<u>XXSXX</u>-G<u>IXX8XX</u>-<u>XX</u>04-502E

* X = A~Z, 0~9 (Depends on Options.)



Records of Revision			
Vision	Modifying	Old Description	New Description
v2212.1	Preliminary Specification		



Features

- ★ 15.6 inch Industrial Grade Panel, 1366x768 (HD) Resolution
- ★ Intel® Quad-Core N3350/N4200 CPU
- ★ DDR3 8G DRAM
- ★ Narrow Bezel, True Flat Projected Capacitive Touch Screen
- ★ 7H Hardness Tempered Cover Glass
- ★ 10 points Multi-touch, Supports Active Stylus
- ★ Metal Cabinet with Diverse Combine Options
- ★ Made in Taiwan, 3 Years Warranty
- ★ Optional High Brightness 1500nits, for Outdoor Environment
- ★ Optional AG Coating/Antibacterial/Privacy Filter Surface Treatment



Desktop Stand



Wall Mounting



Open-frame Bracket



Panel Mount



System Specifications

CPU	Intel® Celeron/Pentium Processor
Memory	DDR3 SO-DIMM 8G
Storage	SATAx1, M.2 M-key (SATA 6Gb/s) x1, Full-size Mini PCIe Slot x1
GPU	Intel® HD Graphics 500
Sound Chip	Realtek® Audio CODEC
Network	Intel® i211AT Gbe LAN Chips x2

Display Specifications

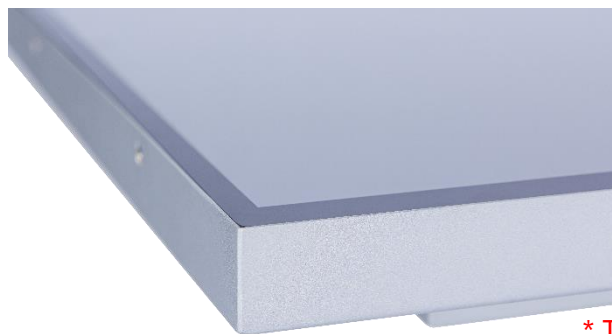
Screen Diagonal	15.6 inch	Display Mode	Normally White
Display Area	344.2x193.5 mm	Backlight Unit	LED (white LED)
Resolution	1366x768 (HD)	Viewing Angle (L/R, U/D)	160°/160° (CR≥10)
Contrast Ratio	500:1	Backlight Lifetime	>50,000 Hours
Display Ratio	16:9	Operating Temp.	0~60°C
Support Colors	16.7M Colors	Storage Temp.	-20~60°C
Pixel Pitch	0.252x0.252 mm	Surface Treatment	Anti-glare, Hardness 3H
Response Time	10 msec.		

Display Options

Brightness			
	Brightness	Environment	Model Name
Standard	300nits	General (Indoor)	NTWP156NXSXX-GIXX8XX-XX04-502E
Option 1	1000nits	Outdoor Environment	NTWP156AXSXX-GIXX8XX-XX04-502E
Option 2	1500nits	Sunlight Readable	NTWP156FXSXX-GIXX8XX-XX04-502E

Touch Options

Projected Capacitive			
Model Name	NTWP156X <u>P</u> SXX-GIXX8XX-XX04-502E		
Touch Technology	Projected Capacitive	Thickness of Cover Lens	2.0±0.2mm
Allowed Touch Points	10 points	Hardness of Cover Lens	7H
Transparency	≥87%	IK Ratings	IK07
Accuracy	99.00%		



* True Flat, 1mm Bezel

Resistive Touch			
Model Name	NTWP156X <u>5</u> SXX-GIXX8XX-XX04-502E		
Touch Technology	Resistive Touch	Transparency	80%±5%
Allowed Touch Points	1 point	Surface Treatment	Anti-glare<15%
Precision	98.50%	Hardness	≥3H

Non-Touch	
Model Name	NTWP156X <u>0</u> SXX-GIXX8XX-XX04-502E

Surface Treatment Options		
	Description	Model Name
Standard	(none)	NTWP156XXS<u>00</u>-GIXX8XX-XX04-502E
Option 1	Anti-Glare Coating	NTWP156XXS <u>GG</u> -GIXX8XX-XX04-502E
Option 2	Antibacterial (AB Film)	NTWP156XXS <u>AB</u> -GIXX8XX-XX04-502E
Option 3	Anti-Spy (AS Film)	NTWP156XXS <u>SF</u> -GIXX8XX-XX04-502E



System Options

CPU		
	Item	Model Name
Standard	N3350	NTWP156XXSXX-GIC18XX-XX04-502E
Option	N4200	NTWP156XXSXX-GIC28XX-XX04-502E

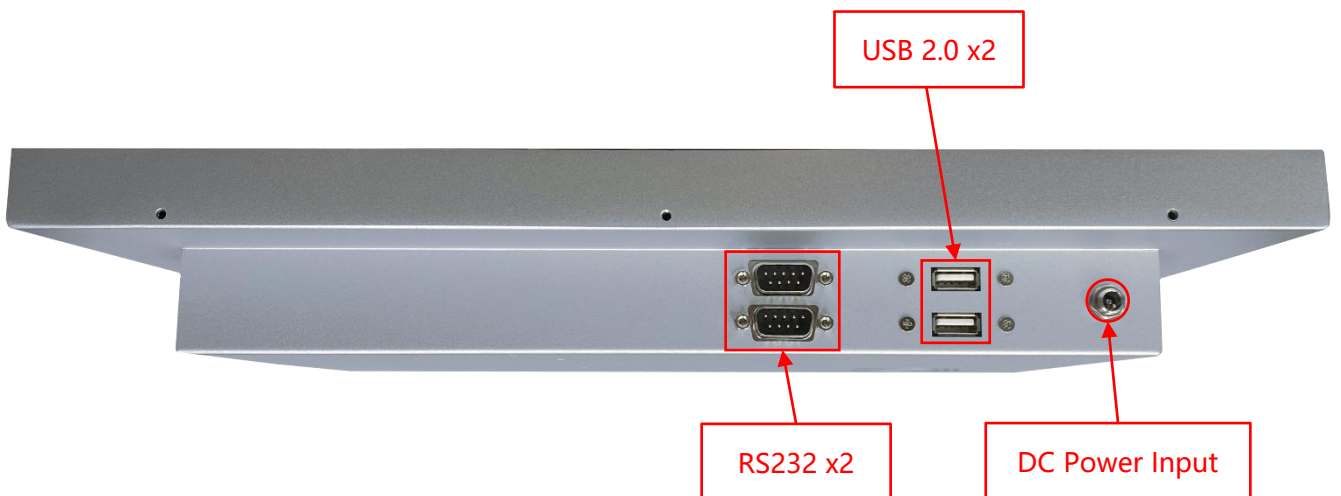
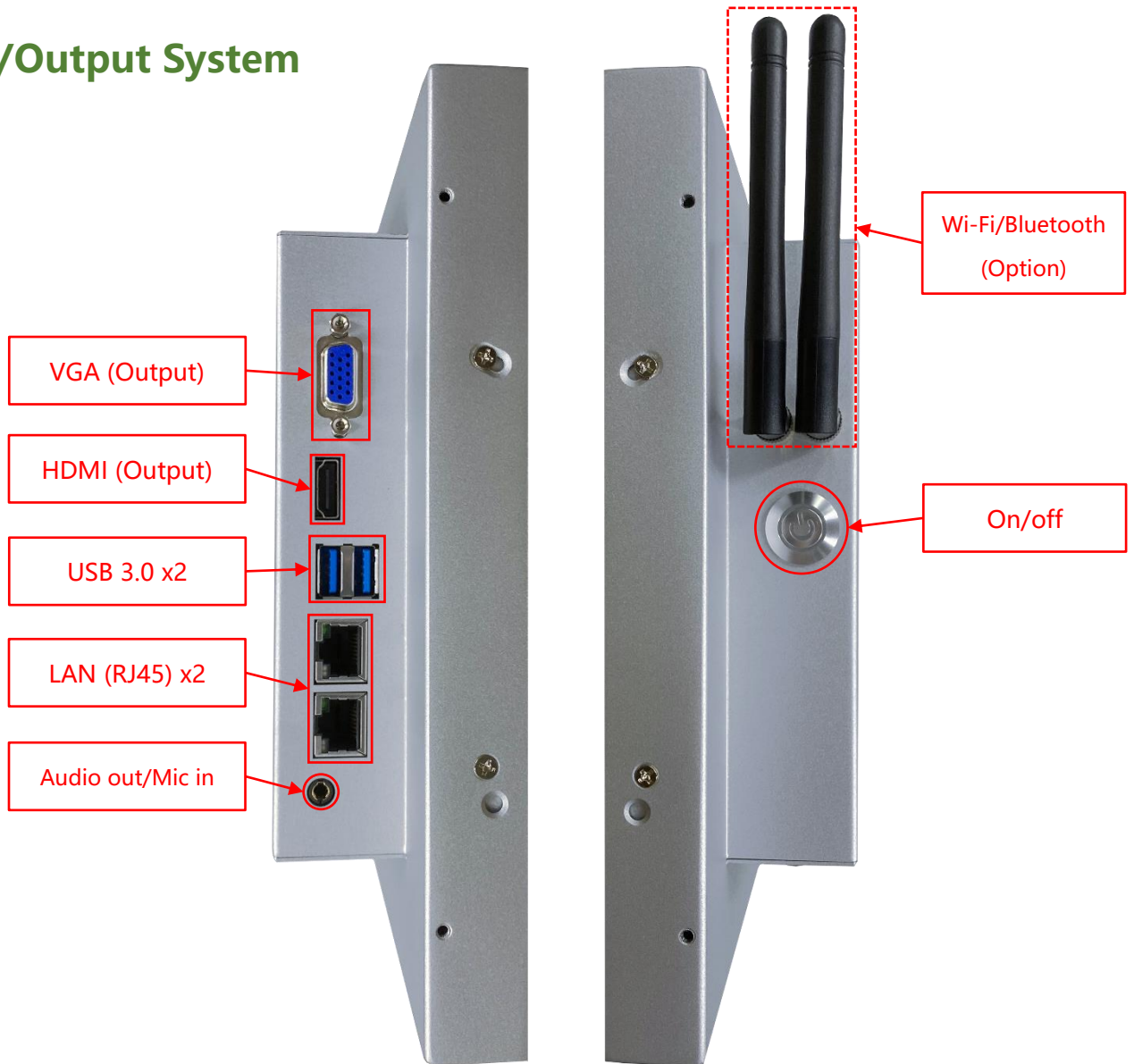
Storage		
	Item	Model Name
Standard	SSD 128G	NTWP156XXSXX-GIXX8S1-XX04-502E
Option 1	SSD 256G	NTWP156XXSXX-GIXX8S2-XX04-502E
Option 2	SSD 512G	NTWP156XXSXX-GIXX8S3-XX04-502E
Option 3	SSD 1TB	NTWP156XXSXX-GIXX8S4-XX04-502E

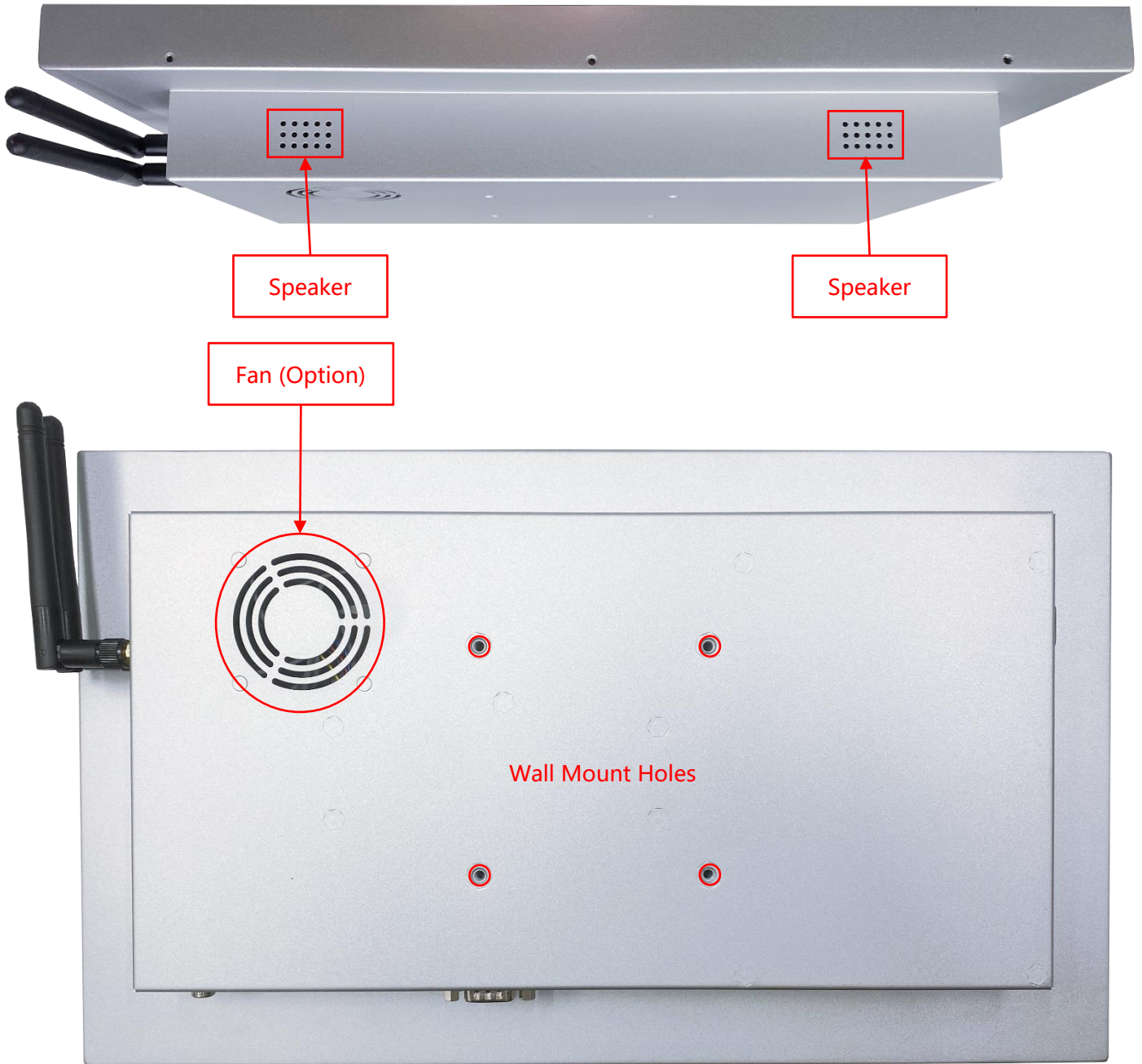
Material of Cabinet		
	Description	Model Name
Standard	SECC	NTWP156XXSXX-GIXX8XX-SX04-502E
Option 1	Stainless Steel	NTWP156XXSXX-GIXX8XX-LX04-502E
Option 2	Aluminum	NTWP156XXSXX-GIXX8XX-AX04-502E

Color of Cabinet		
	Description	Model Name
Standard	Silver	NTWP156XXSXX-GIXX8XX-XS04-502E
Option 1	White	NTWP156XXSXX-GIXX8XX-XW04-502E
Option 2	Black	NTWP156XXSXX-GIXX8XX-XB04-502E
Options	Other Colors	NTWP156XXSXX-GIXX8XX-XX04-502E

* X = A~Z, 0~9 (Depends on Color)

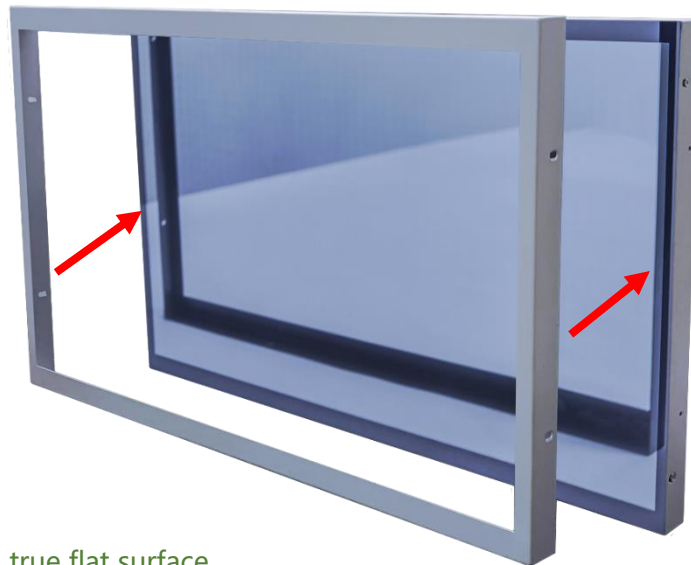
Input /Output System





Input / Output	Connectors	Input / Output	Connectors
HDMI (Output)	1	USB 3.0	2
VGA (Output)	1	USB 2.0	2
Audio Output /Mic Input (3.5mm)	1	RS232	2
DC Power Input	1	LAN (RJ45)	2
Speakers	1W x2	Wi-Fi/Bluetooth & Antenna	Option

Front Cover (Option)



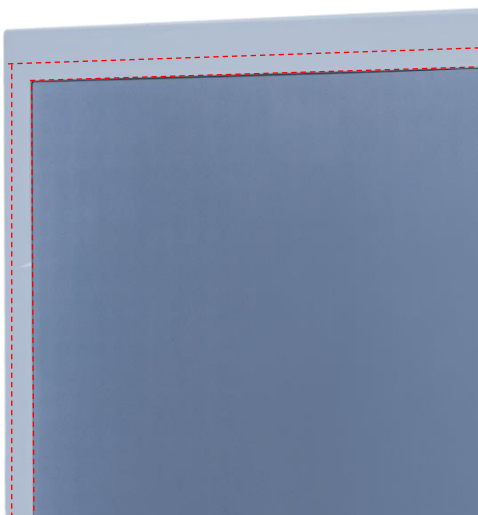
The standard **NTWP156** is true flat surface.

To protect the corners of the touch screen, the Front Cover can be added.

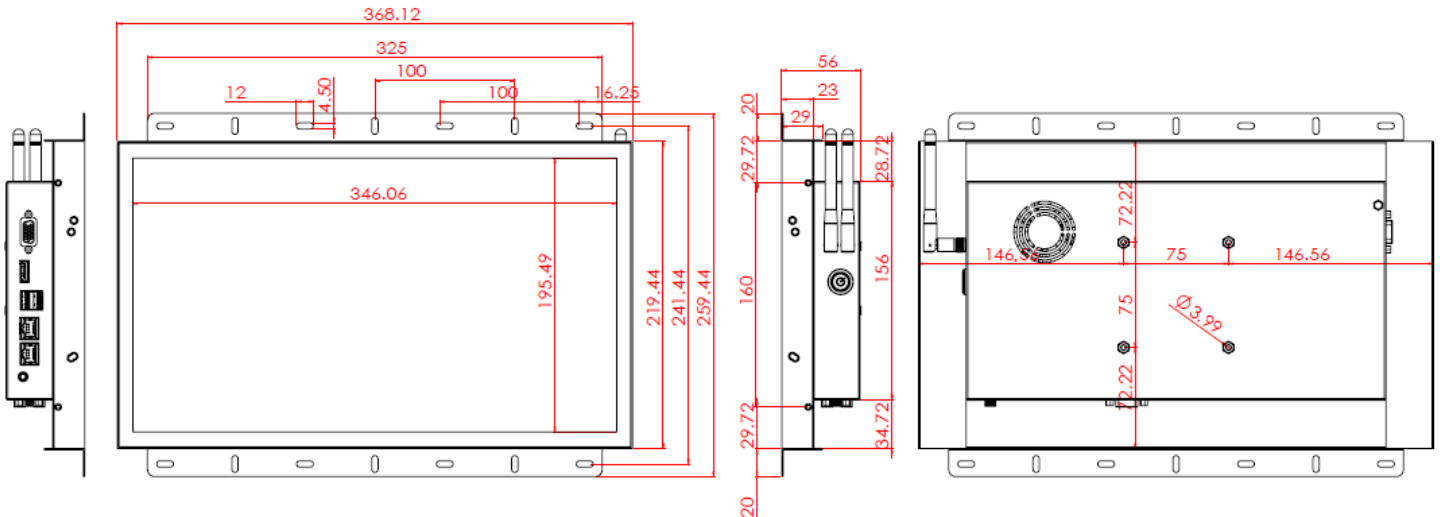
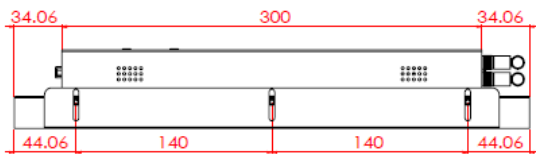
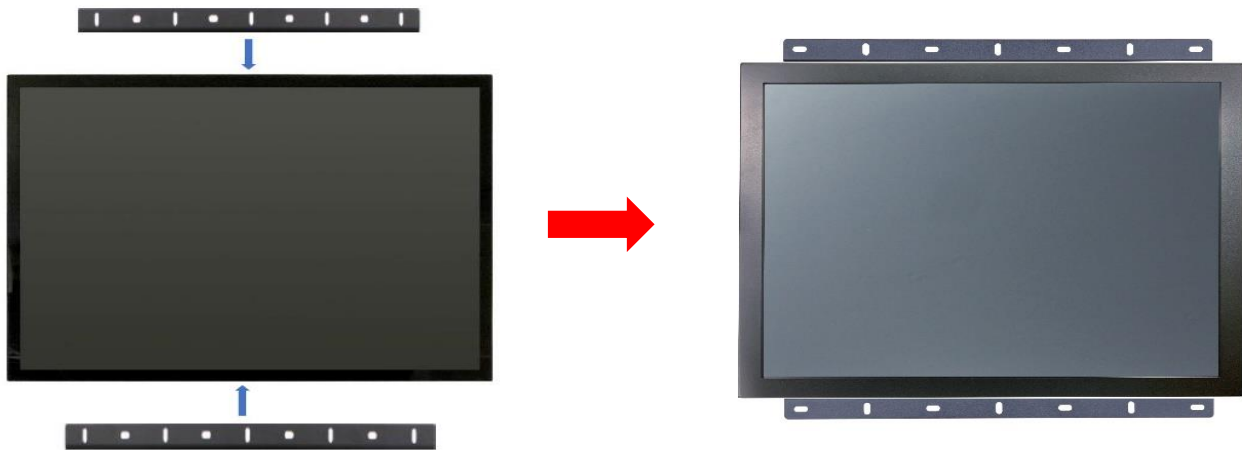


The watertight gasket can be added between the Front Cover and **NTWP156**.

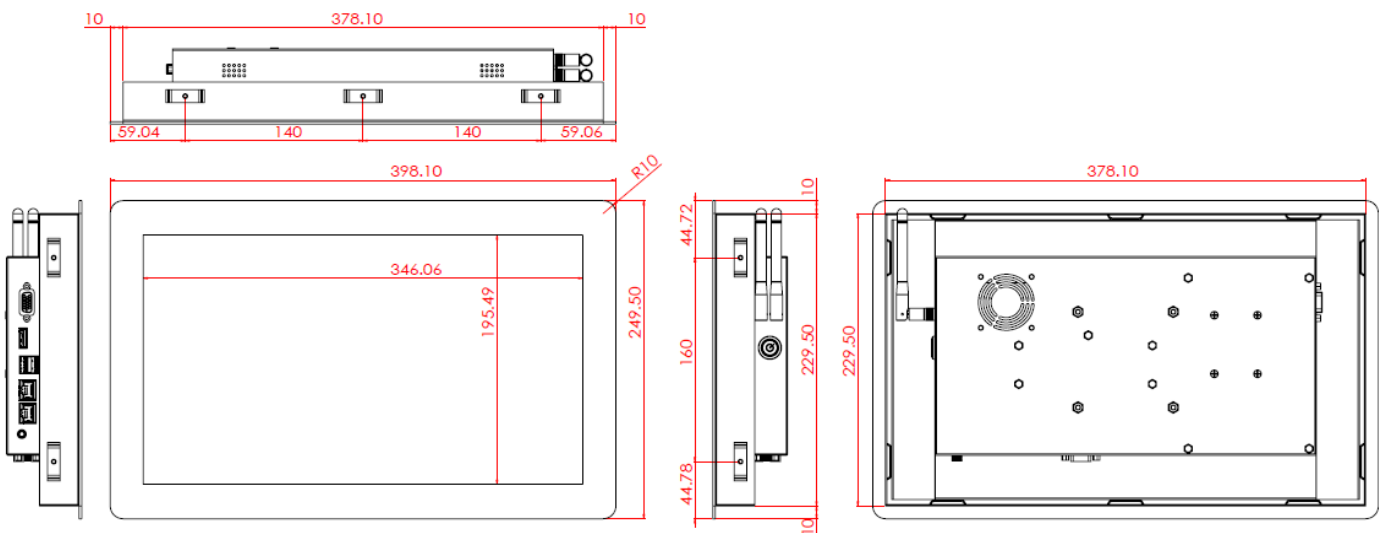
It complies **IP65** on front.

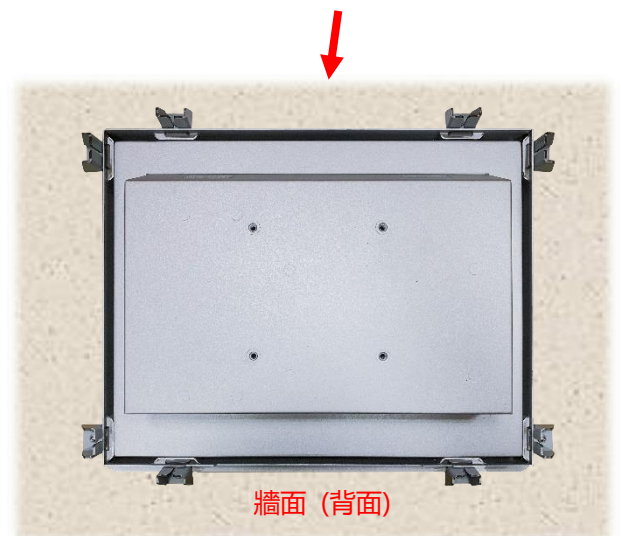
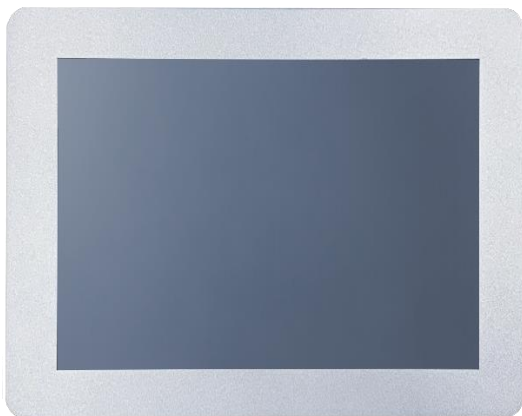
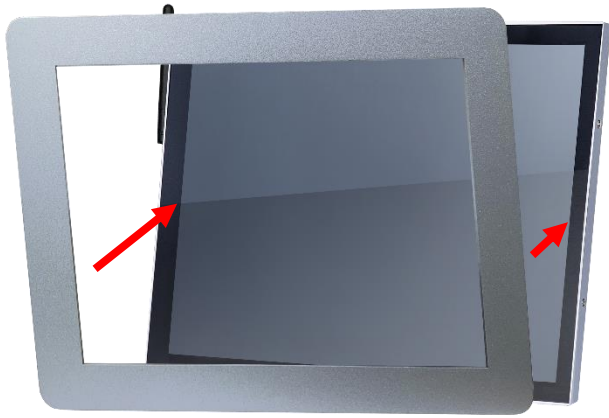


Open-frame Brackets (Option)



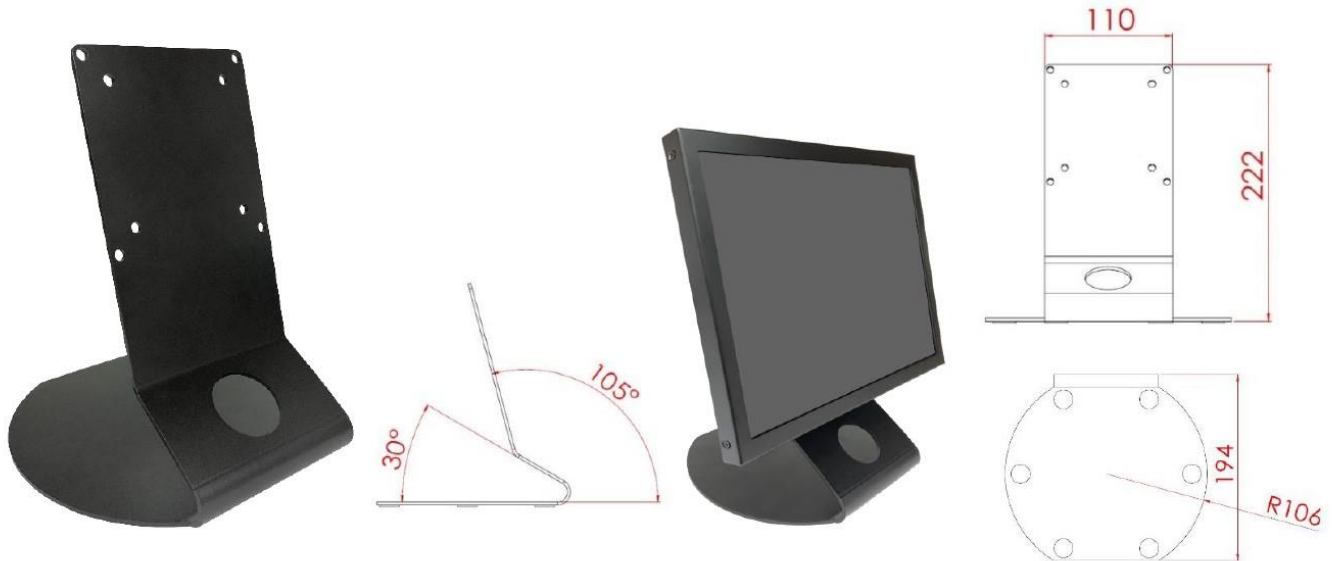
Panel Mount Kits (Option)





Desktop Stand (Option)

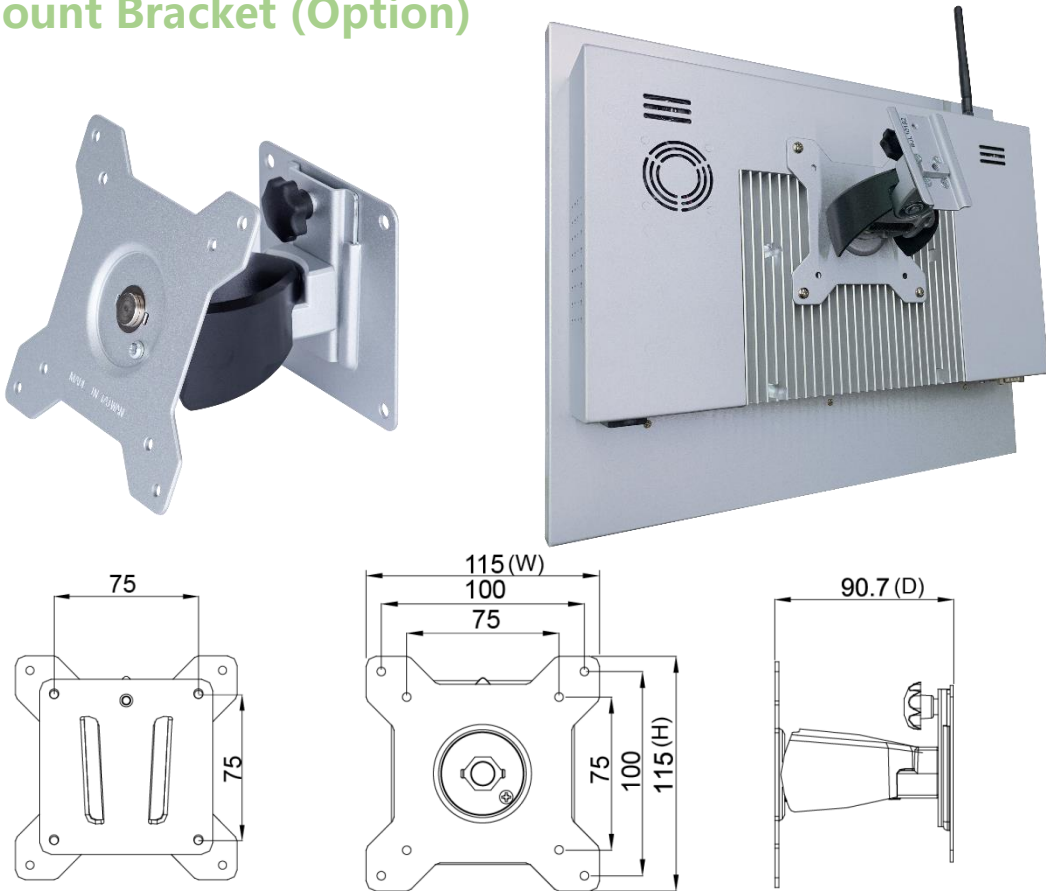
Item	L Stand	Part No.	DST-0B004/DST-1B004
Mounting Pattern	100x100 / 75x75 mm	Dimension (WxHxD)	194x194x222 mm
Material	SECC	Net Weight	1.4 KG
Tilt (Hinge)	105°	Support Max. Weight	15 KG



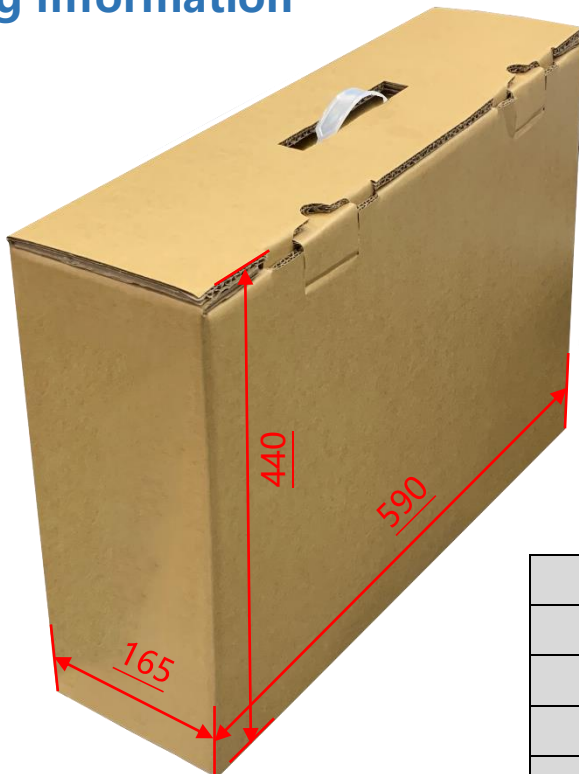
Item	B Stand	Part No.	DST-0B002/DST-1B002
Mounting Pattern	100x100 / 75x75 mm	Dimension (WxHxD)	203x275x227 mm
Material	Steel/Plastic/Aluminum	Net Weight	1.8 KG
Tilt (Hinge)	-2° ~ +180°	Support Max. Weight	15 KG



Wall Mount Bracket (Option)



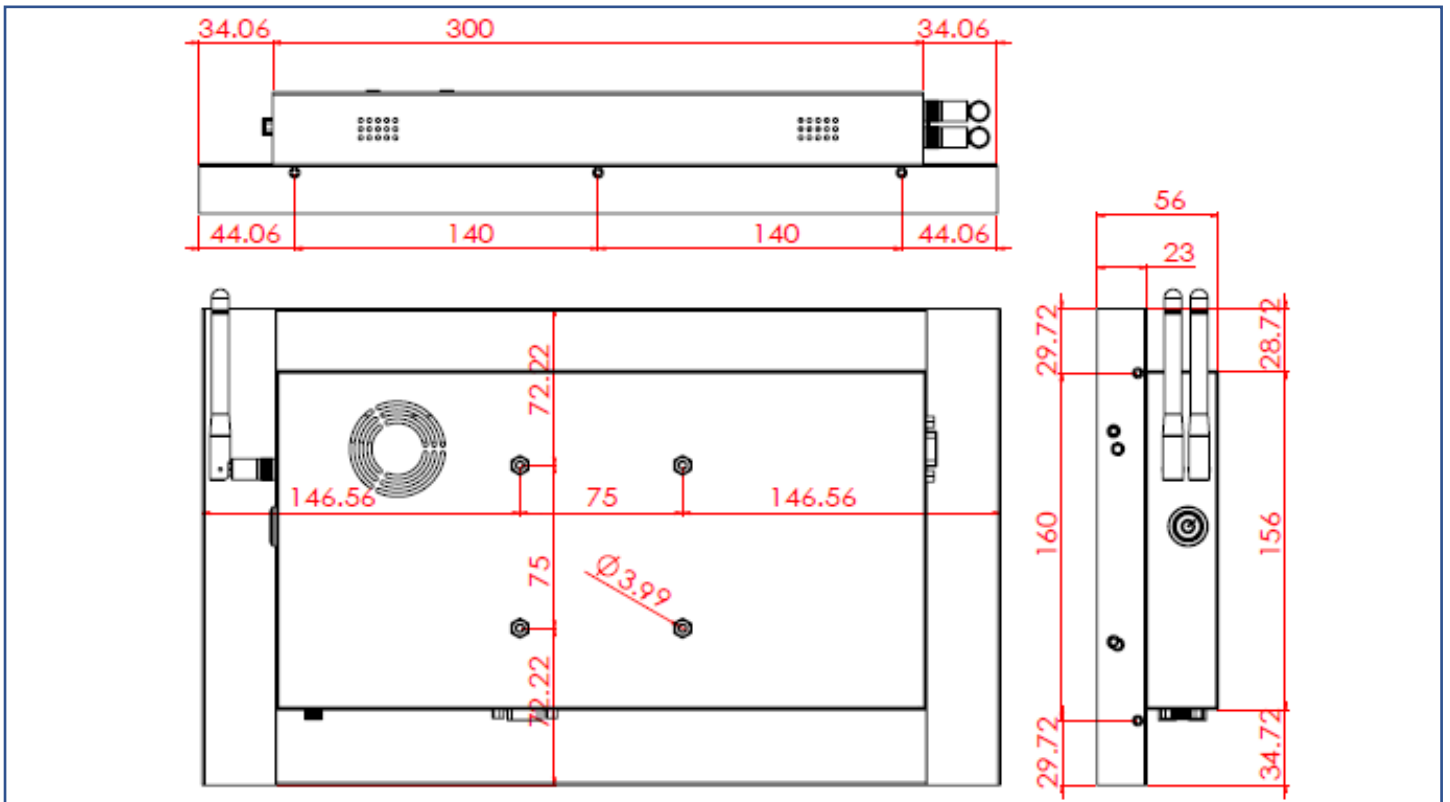
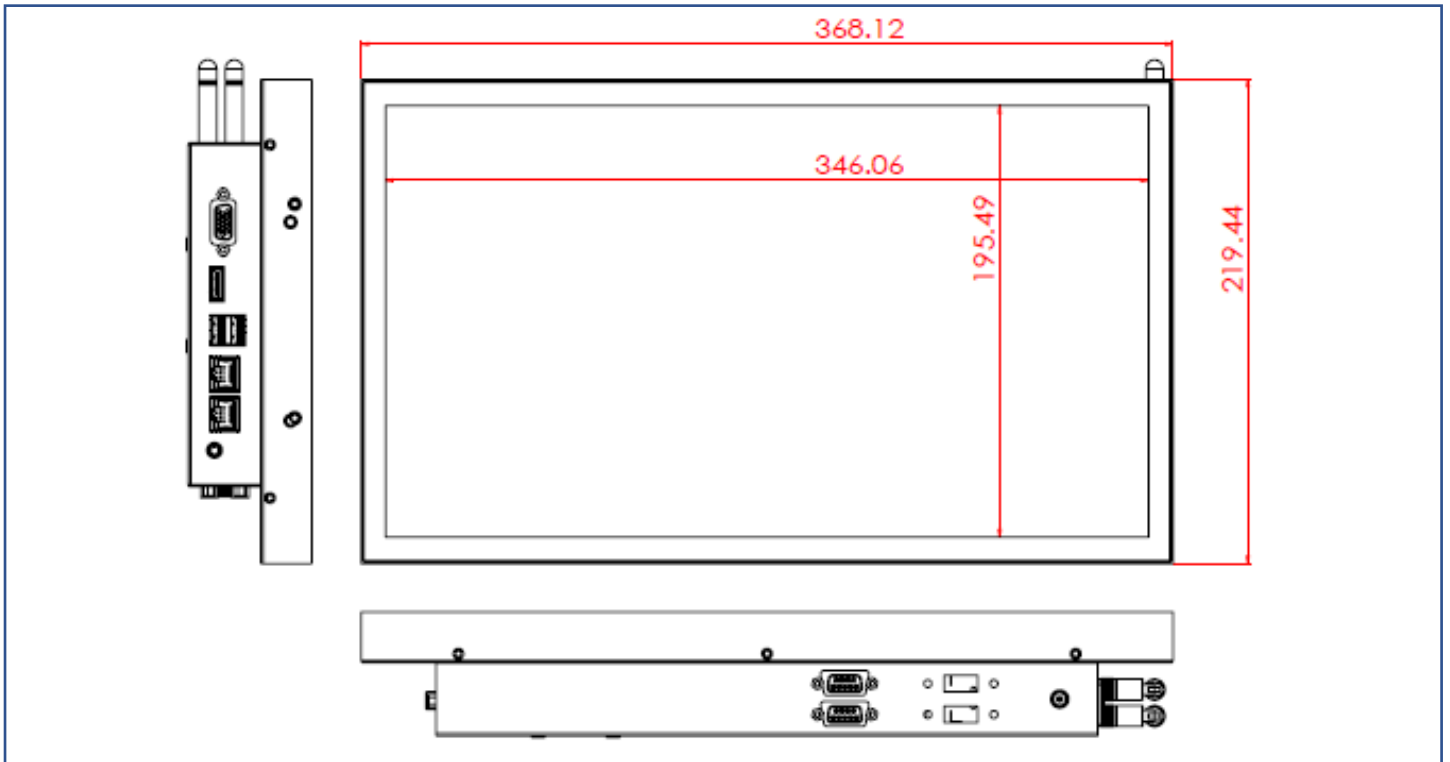
Packing Information



Unit Carton Size	590x165x440 mm
Unit N. Weight	≤3.2 KG
Unit G. Weight	≤5.0 KG
Units per Pallet	36 units
Pallet Size	120x100x147 CM

Physical Specifications

Dimension	368x219.5x56(±2)mm (W/O Antenna)	Net Weight	3.2 KG
VESA Mounting	75x75 mm	Gross Weight	5.0 KG



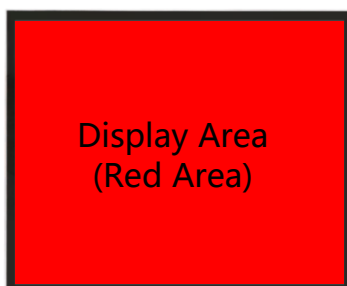
Cosmetic Inspection Standard

Display Area Allowance			
Defect description	Defective Specifications	Allowance	Remarks
Dot Defect (including dark dot, particles, bubbles, pits, dust, foreign matter)	$D \leq 0.2\text{mm}$	Ignored	D=Diameter
	$0.2 < D \leq 0.7\text{mm}$	$N \leq 5$	N=Quantity
	$0.7 < D \leq 1\text{mm}$	$N \leq 3$	
	$D > 1\text{mm}$	$N \leq 0$	
Linear Defect (including scratches, fluff, particles)	$W \leq 0.15\text{mm}$	Ignored	W=Width
	$0.15 < W \leq 0.5\text{mm}, L \leq 15\text{mm}$	$N \leq 2$	L=Length
	$W > 0.5\text{mm}$ or $L > 15\text{mm}$	NG	

* Visual inspection distance: 60cm, 90 degree (same for front/side/back)

Front Appearance Allowance (Including Coating)			
Defect description	Defective Specifications	Allowance	Remarks
Dot Defect (including particles, bubbles, pits...etc.)	$D \leq 0.7\text{mm}$	Ignored	D=Diameter
	$0.7 < D \leq 1.5\text{mm}$	$N \leq 3$	N=Quantity
	$D > 1.5\text{mm}$	$N \leq 0$	
Linear Defect (including scratches, fluff, particles)	$W \leq 0.2\text{mm}, L \leq 15\text{mm}$	Ignored	W=Width, L=Length
	$0.2 < W \leq 0.7\text{mm}, L \leq 15\text{mm}$	$N \leq 1$	
	$W > 0.7\text{mm}$ or $L > 15\text{mm}$	NG	

Side / Back Appearance Allowance (Including Coating)			
Defect description	Defective Specifications	Allowance	Remarks
Dot Defect (including particles, bubbles, pits...etc.)	$D \leq 1.5\text{mm}$	Ignored	D=Diameter
	$1.5 < D \leq 3\text{mm}$	$N \leq 8$	N=Quantity
	$D > 3\text{mm}$	$N \leq 2$	
Linear Defect (including scratches, fluff, particles)	$W \leq 0.8\text{mm}, L \leq 15\text{mm}$	Ignored	W=Width, L=Length
	$0.8 < W \leq 1.5\text{mm}, L \leq 15\text{mm}$	$N \leq 5$	
	$W > 1.5\text{mm}$ or $L > 15\text{mm}$	NG	



Display Area
(Red Area)



Front Appearance (Red Area)



Back Appearance