



Product Specifications

Customer	
Model Name	NTWP156-1 V511
Model Number	NTWP156 <u>XXSXX</u> -GI <u>XXXXXX</u> - <u>XXX</u> 5-511

* X = A~Z, 0~9 (Depends on Options.)



Records of Revision			
Vision	Modifying	Old Description	New Description
v2303.1	Preliminary Specification		



Features

- ★ 15.6 inch Industrial Grade Panel, 1366x768(HD) Resolution
- ★ Intel® 11th Generation Core i Series CPU
- ★ DDR4 8G RAM (Max. 64G)
- ★ Narrow Bezel, True Flat Projected Capacitive Touch Screen
- ★ 7H Hardness Tempered Cover Glass
- ★ 10 points Multi-touch, finger and stylus pen support
- ★ Metal Cabinet with Diverse Combine Options
- ★ Made in Taiwan, 3 Years Warranty
- ★ Optional High Brightness 1500nits, for Outdoor Environment
- ★ Optional AG Coating/Antibacterial/Privacy Filter Surface Treatment



PSE



BSMI



RoHS



CE



ISO9001



FCC



Desktop Stand



Wall Mounting



Open-frame Bracket



Panel Mount



System Specifications

CPU	Intel® 11th Generation Core i Series CPU
Memory	DDR4 SO-DIMM x2, Max. 64G
Storage	Ultra-Fast M.2 with PCIe Gen3 x2, SATA 6Gb/s x1
GPU	Intel® UHD Graphics
Sound Chip	Realtek Audio CODEC
Network	Intel Gigabit LAN, RJ45 ports x2

Display Specifications

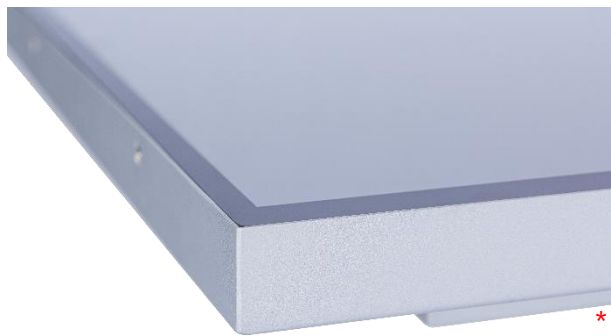
Screen Diagonal	15.6 inch	Display Mode	Normally White
Display Area	344.2x193.5 mm	Backlight Unit	LED (white LED)
Resolution	1366x768 (HD)	Viewing Angle (L/R, U/D)	160°/160° (CR≥10)
Contrast Ratio	500:1	Backlight Lifetime	> 50,000 Hours
Display Ratio	16:9	Operating Temp.	0~60°C
Support Colors	16.7M Colors	Storage Temp.	-20~60°C
Pixel Pitch	0.252x0.252 mm	Surface Treatment	Anti-glare, Hardness 3H
Response Time	10 msec.		

Display Options

Brightness			
	Brightness	Environment	Model Name
Standard	300nits	General (Indoor)	NTWP156NXSXX-GIXXXXXX-XXX5-511
Option 1	1000nits	Outdoor Environment	NTWP156AXSXX-GIXXXXXX-XXF5-511
Option 2	1500nits	Sunlight Readable	NTWP156FXSXX-GIXXXXXX-XXF5-511

Touch Options

Projected Capacitive			
Model Name	NTWP156XPSXX-GIXXXXX-XXX5-511		
Touch Technology	Projected Capacitive	Thickness of Cover Lens	2.0±0.2mm
Allowed Touch Points	10 points	Hardness of Cover Lens	7H
Transparency	≥87%	IK Ratings	IK07
Accuracy	99.00%		



* True Flat, 1mm Bezel

Resistive Touch			
Model Name	NTWP156X5SXX-GIXXXXX-XXX5-511		
Touch Technology	Resistive Touch	Transparency	80%±5%
Allowed Touch Points	1 point	Surface Treatment	Anti-glare<15%
Accuracy	98.50%	Hardness	≥3H

Non-Touch	
Model Name	NTWP156X0SXX-GIXXXXX-XXX5-511

Surface Treatment Options		
	Description	Model Name
Standard	(none)	NTWP156XXS00-GIXXXXX-XXX5-511
Option 1	Anti-Glare Coating	NTWP156XXSGG-GIXXXXX-XXX5-511
Option 2	Antibacterial (AB Film)	NTWP156XXSAB-GIXXXXX-XXX5-511
Option 3	Anti-Spy (AS Film)	NTWP156XXSFF-GIXXXXX-XXX5-511



System Options

CPU		
	Item	Model Name
Standard	Intel® Core i3-1115G4E	NTWP156XXSXX-GI31XXX-XXX5-511
Option 1	Intel® Core i5-1135G7	NTWP156XXSXX-GI51XXX-XXX5-511
Option 2	Intel® Core i7-1165G7	NTWP156XXSXX-GI71XXX-XXX5-511

Memory		
	Item	Model Name
Standard	DDR4 SO-DIMM 8G	NTWP156XXSXX-GIXX8XX-XXX5-511
Option 1	DDR4 SO-DIMM 16G	NTWP156XXSXX-GIXXAAX-XXX5-511
Option 2	DDR4 SO-DIMM 32G	NTWP156XXSXX-GIXXBXX-XXX5-511
Option 3	DDR4 SO-DIMM 64G	NTWP156XXSXX-GIXXCXX-XXX5-511

Storage		
	Item	Model Name
Standard	SSD 128G	NTWP156XXSXX-GIXXXS1-XXX5-511
Option 1	SSD 256G	NTWP156XXSXX-GIXXXS2-XXX5-511
Option 2	SSD 512G	NTWP156XXSXX-GIXXXS3-XXX5-511
Option 3	SSD 1TB	NTWP156XXSXX-GIXXXS4-XXX5-511

Material of Cabinet		
	Item	Model Name
Standard	SECC	NTWP156XXSXX-GIXXXXX-SXX5-511
Option 1	Stainless Steel	NTWP156XXSXX-GIXXXXX-LXX5-511
Option 2	Aluminum	NTWP156XXSXX-GIXXXXX-AXX5-511

System Options (Continued)

Color of Cabinet		
	Description	Model Name
Standard	Silver	NTWP156XXSXX-GIXXXXXX-<u>XS</u>X5-511
Option 1	White	NTWP156XXSXX-GIXXXXXX- <u>XW</u> X5-511
Option 2	Black	NTWP156XXSXX-GIXXXXXX- <u>XB</u> X5-511
Options	Other Colors	NTWP156XXSXX-GIXXXXXX- <u>XX</u> X5-511

* X = A~Z, 0~9 (Depends on Color)

Cooling Fan		
	Description	Model Name
Standard	7 Blades/4000r.p.m/28.3dB	NTWP156XXSXX-GIXXXXXX-<u>XXF</u>5-511
Option	Fanless	NTWP156XXSXX-GIXXXXXX- <u>XX0</u> 5-511

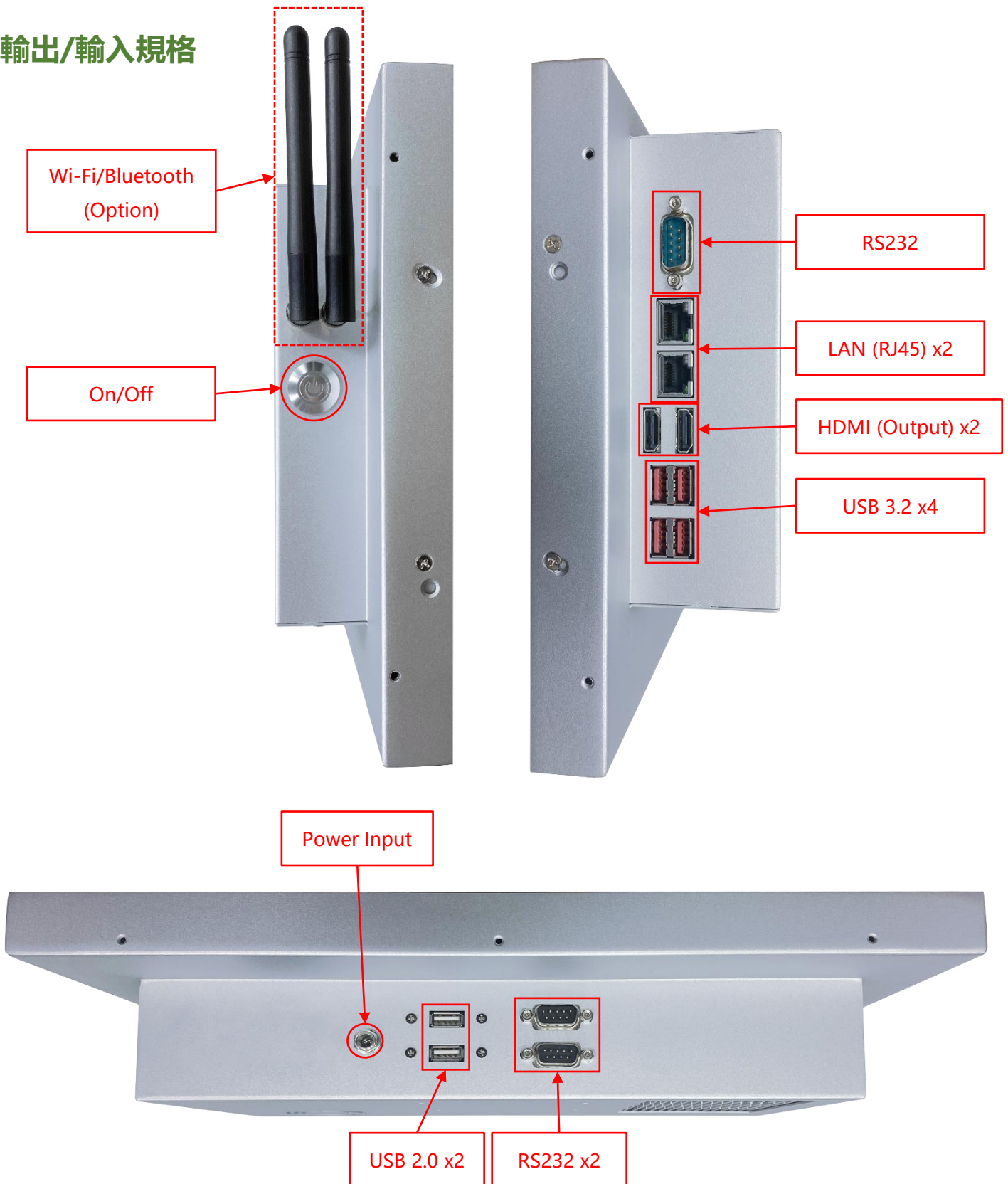
Other Options

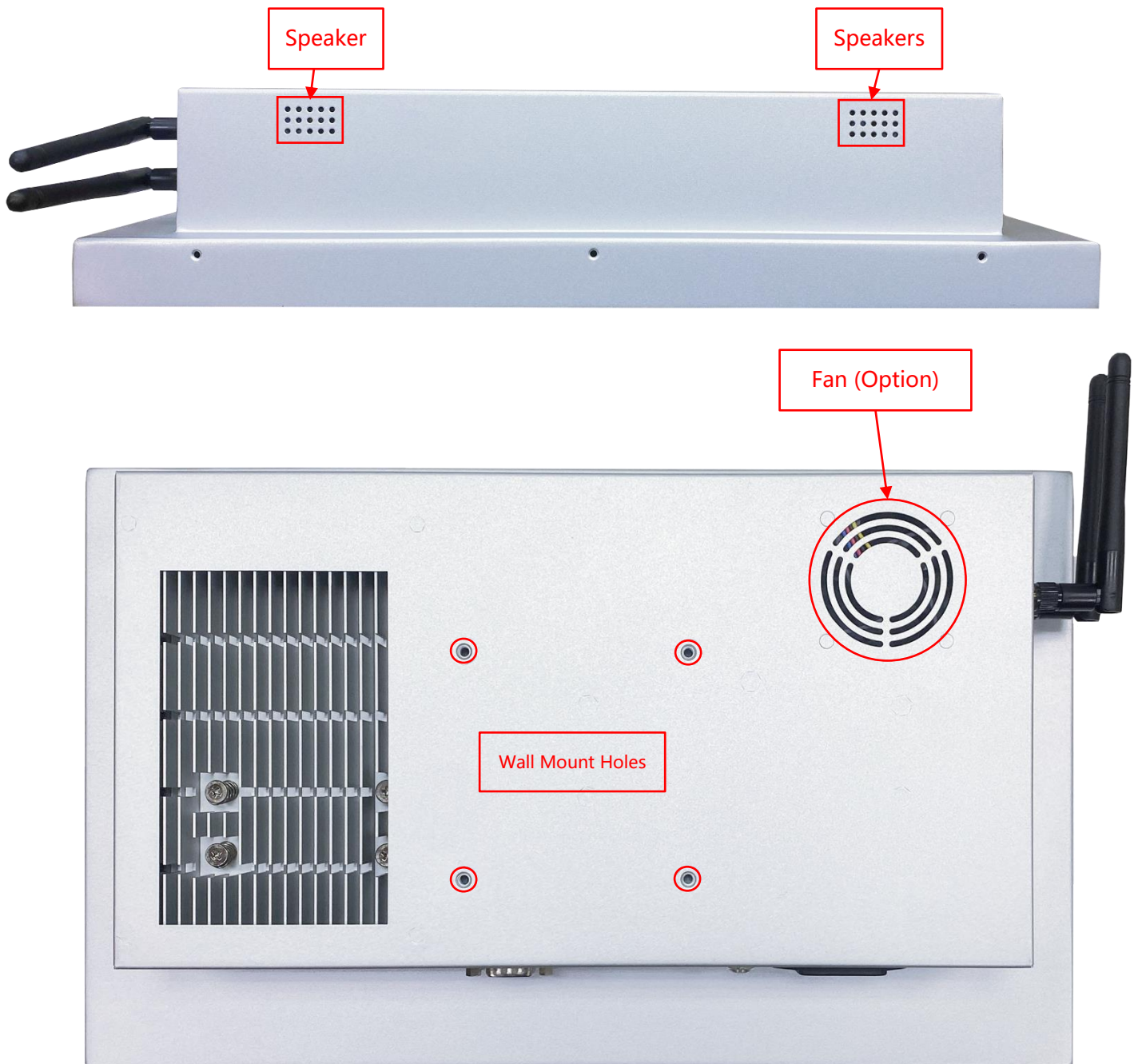
Wireless Network (Option)	
Spec	Wi-Fi a/b/g/n/ac, Dual Mode Bluetooth 2.1/2.1+EDR,3.0,3.0+HS,4.0 (BLE) (Wi-Fi+BT4.0)

Passive Stylus Pen (Option)	
Technology	Passive High Sensitive Knitted Wire Mesh Fiber Tip
Size of tip	6mm
Magnetic Attachment	Yes



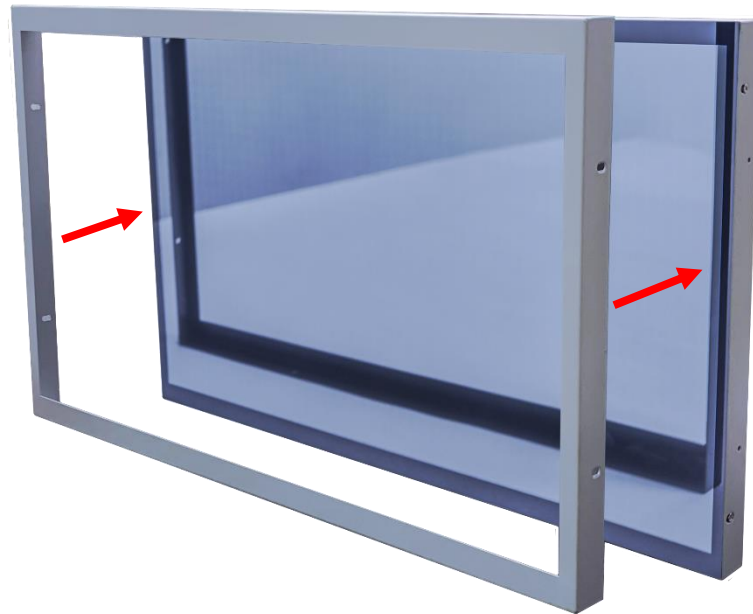
輸出/輸入規格





Input / Output	Connectors	Input / Output	Connectors
HDMI (Output)	2	LAN (RJ45)	2
USB 3.2 Gen2	4	Speakers	1W x2
USB 2.0	2	DC Power Input	1
RS232	3	Wi-Fi/Bluetooth & Antenna	Option

Front Cover (Option)



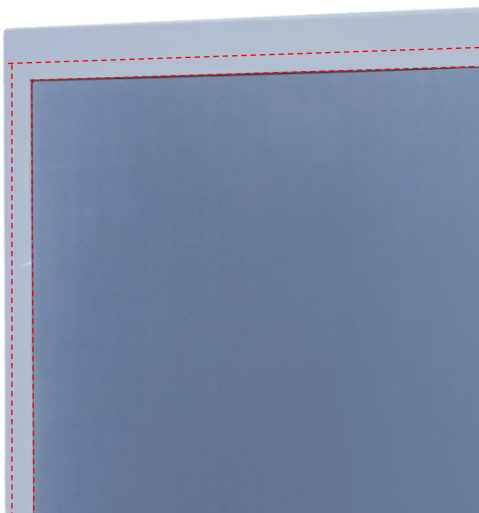
The standard **NTWP156** is true flat surface.

To protect the corners of the touch screen, the Front Cover can be added.

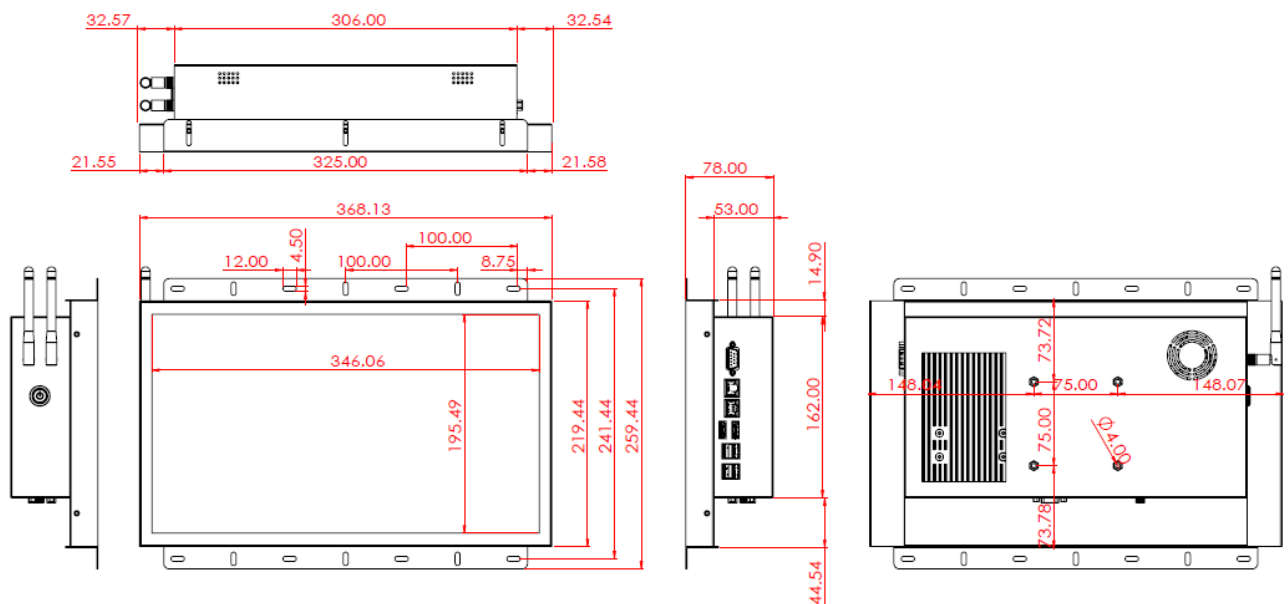
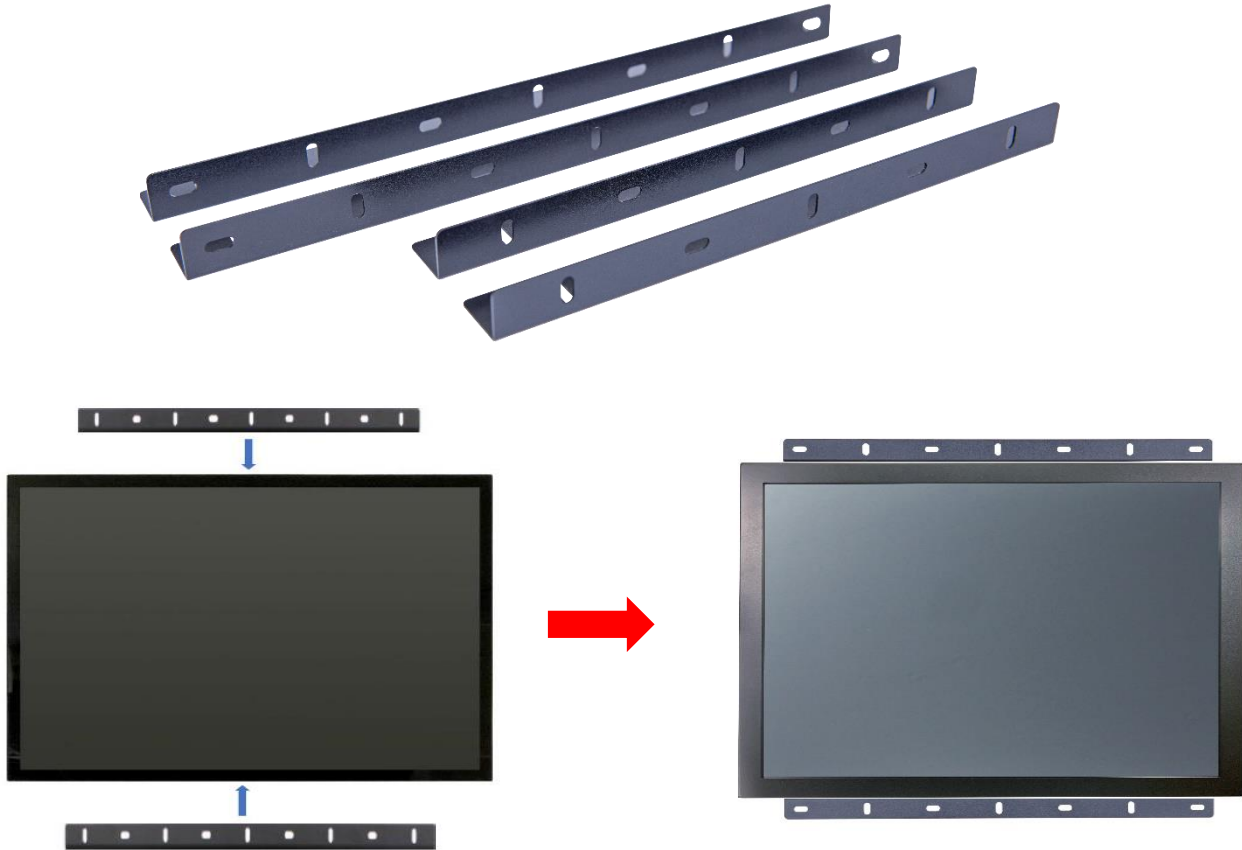


The watertight gasket can be added between the Front Cover and **NTWP156**.

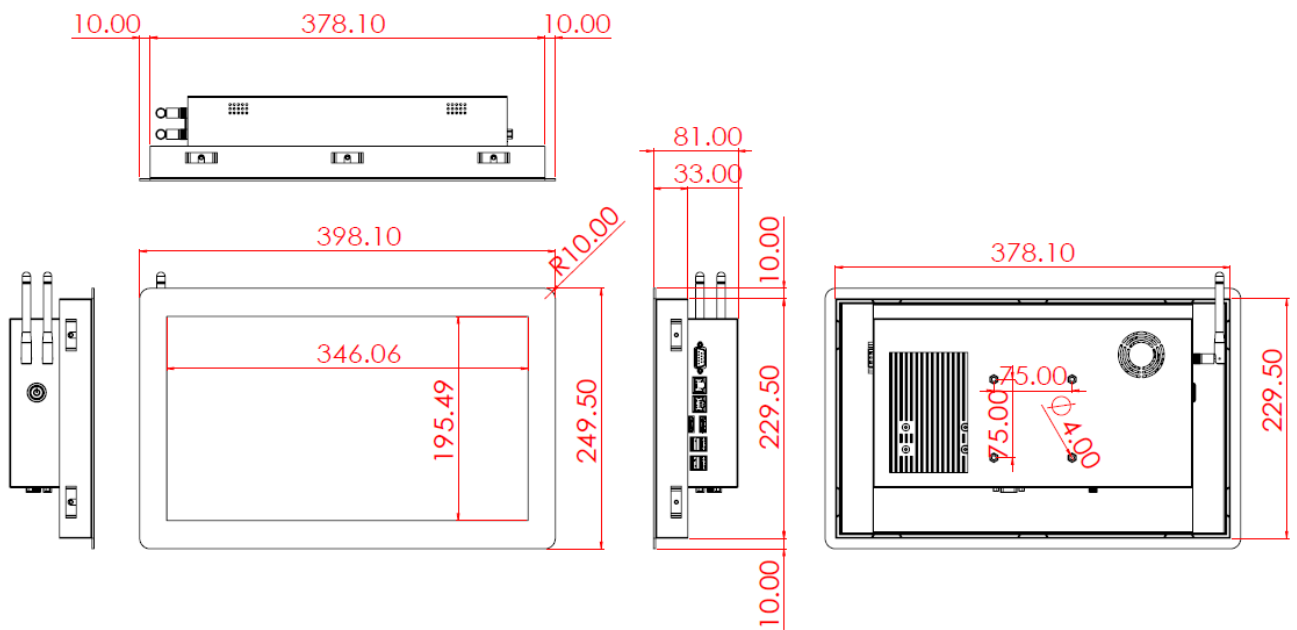
It complies **IP65** on front.

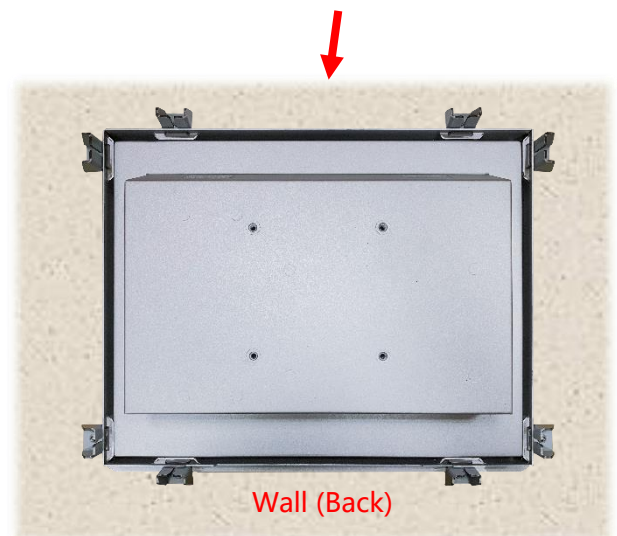
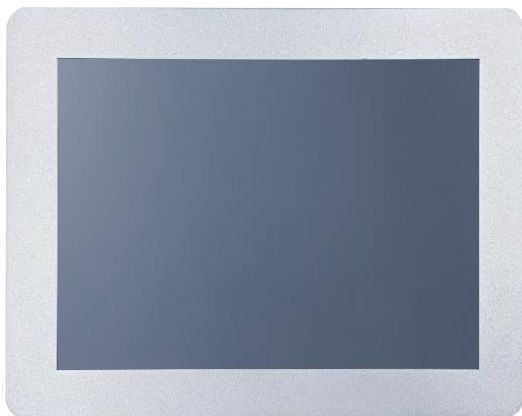
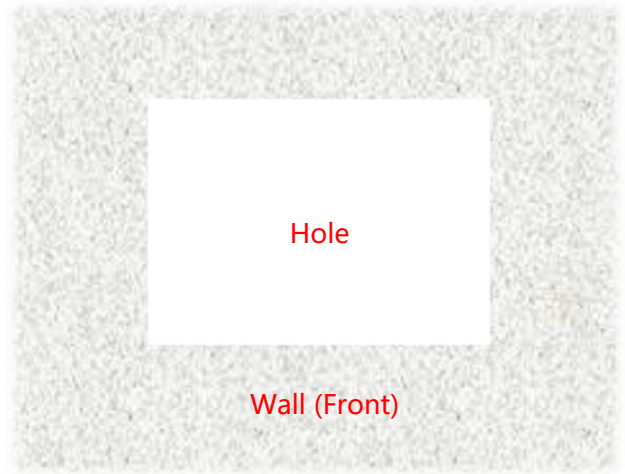
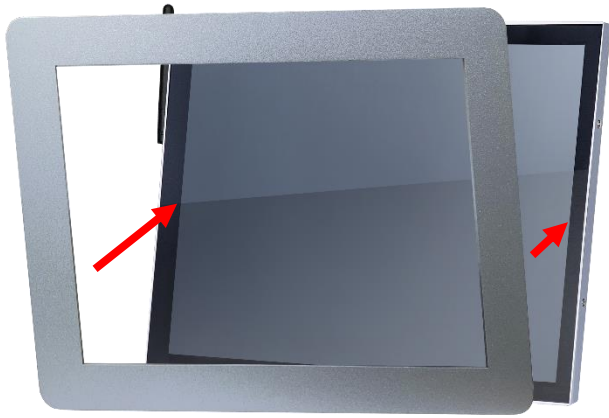


Open-frame Brackets (Option)



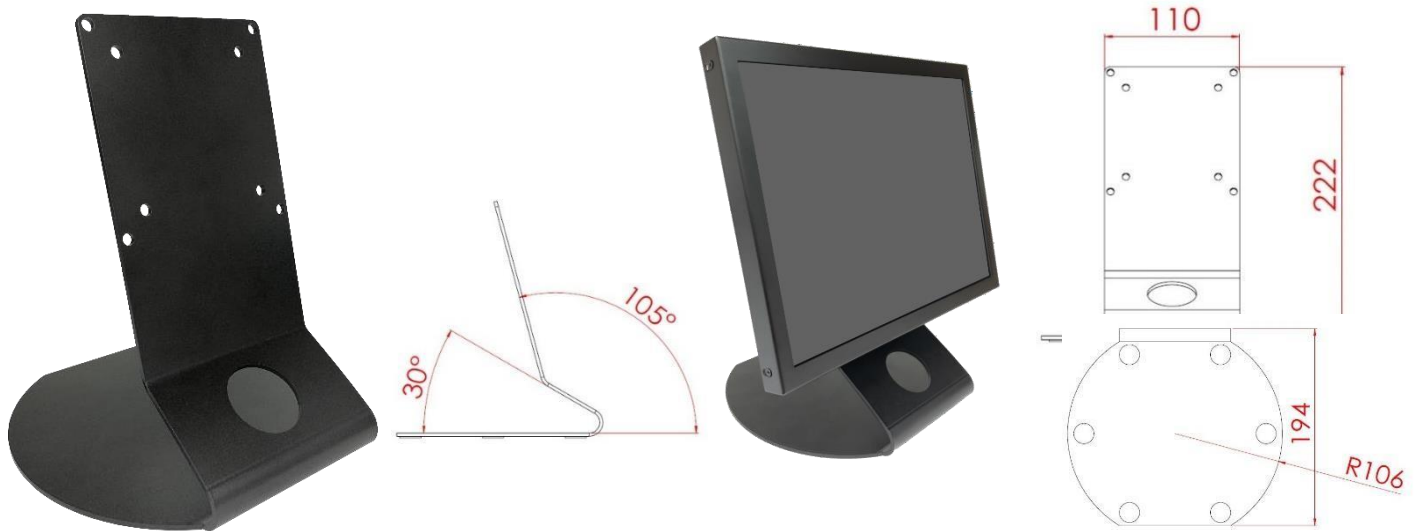
Panel Mount Kits (Option)





Desktop Stand (Option)

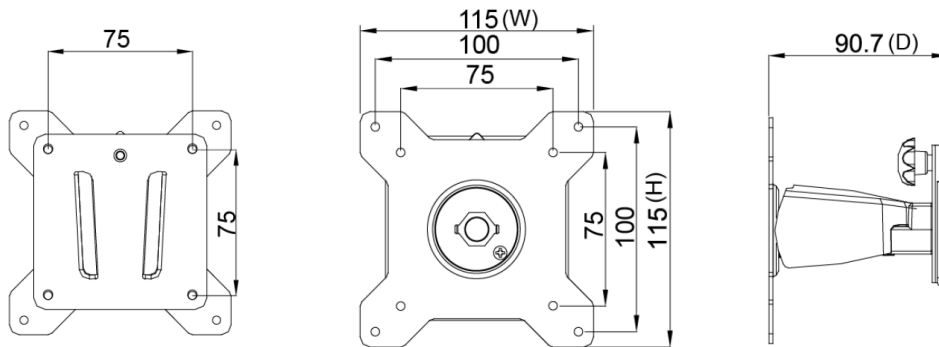
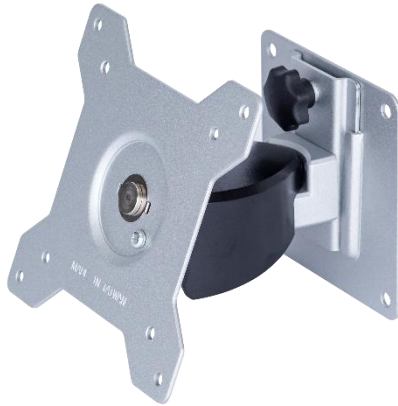
Item	L Stand	Part No.	DST-0B004/DST-1B004
Mounting Pattern	100x100 / 75x75 mm	Dimension (WxHxD)	194x194x222 mm
Material	SECC	Net Weight	1.4 KG
Tilt (Hinge)	105°	Support Max. Weight	15 KG



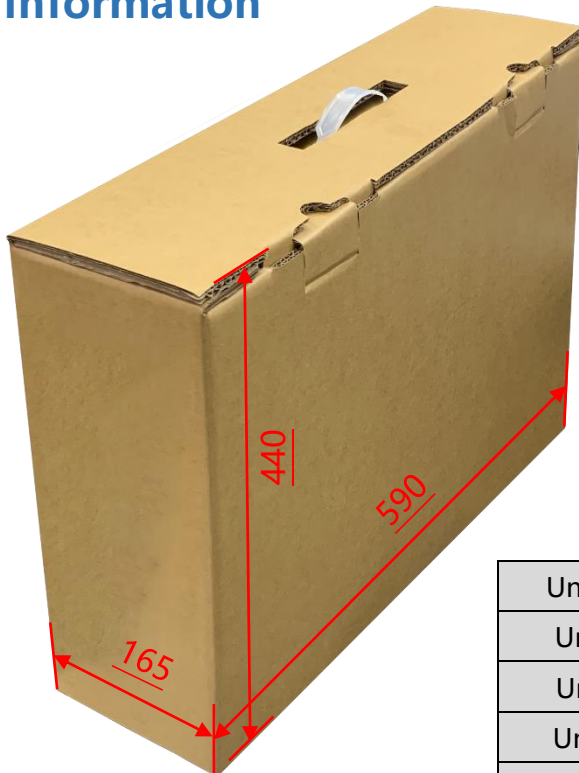
Item	B Stand	Part No.	DST-0B002/DST-1B002
Mounting Pattern	100x100 / 75x75 mm	Dimension (WxHxD)	203x275x227 mm
Material	Steel/Plastic/Aluminum	Net Weight	1.8 KG
Tilt (Hinge)	-2° ~ +180°	Support Max. Weight	15 KG



Wall Mount Bracket (Option)



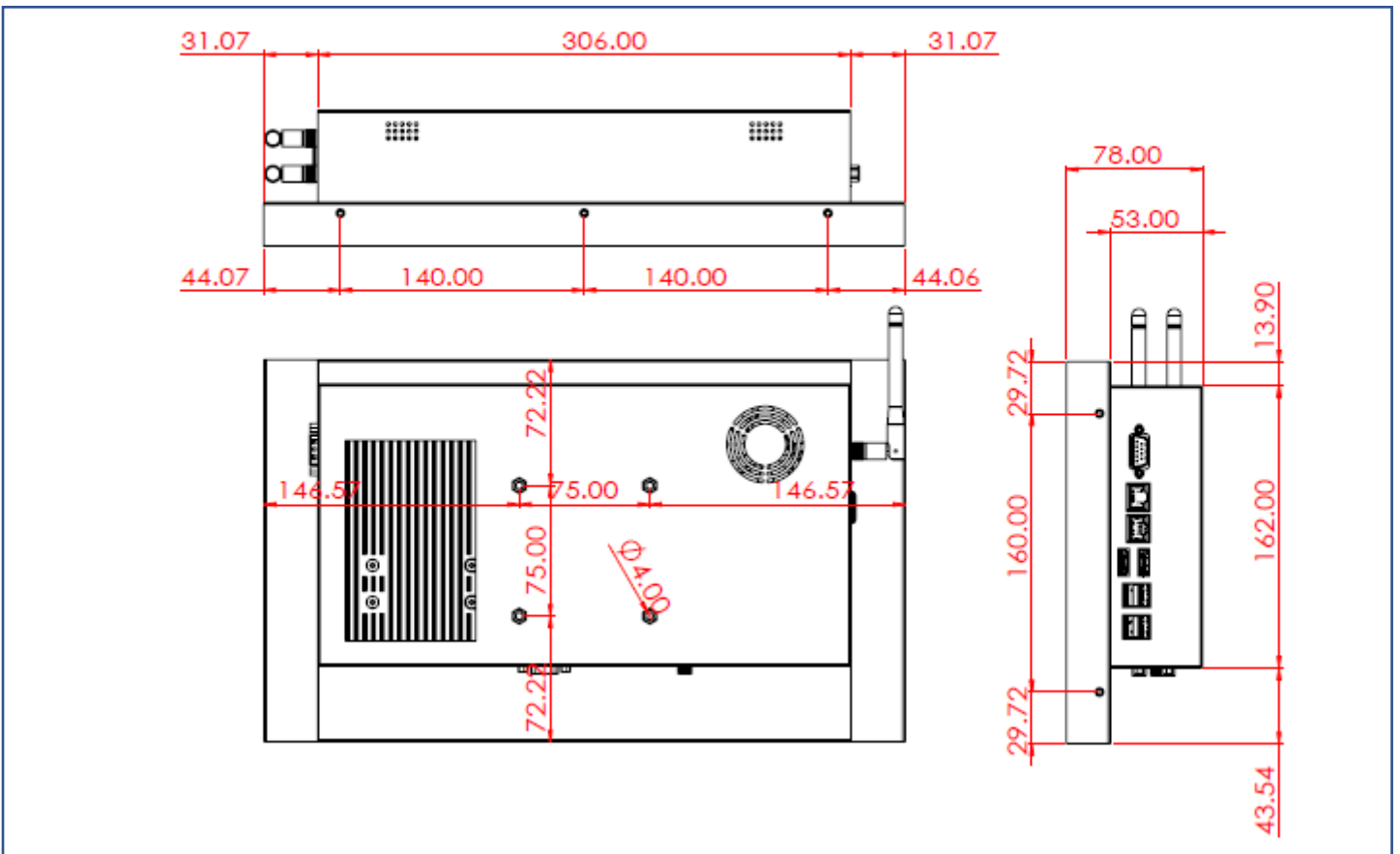
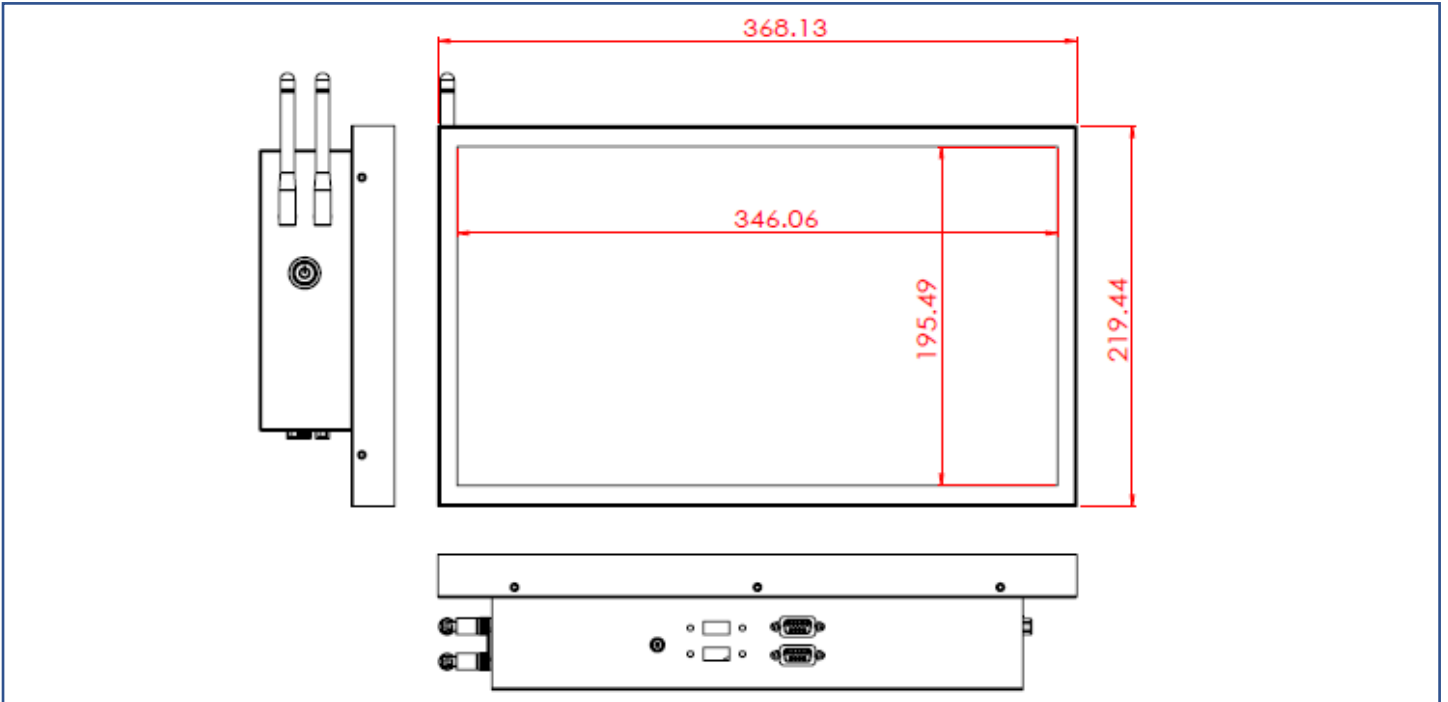
Packing Information



Unit Carton Size	590x165x440 mm
Unit N. Weight	≤3.5 KG
Unit G. Weight	≤5.3 KG
Units per Pallet	36 units
Pallet Size	120x100x147 CM

Physical Specifications

Dimension (W/O Antenna)	368x219.5x78(±2)mm	Net Weight	3.5 KG
VESA Mounting	75x75 mm	Gross Weight	5.3 KG



Cosmetic Inspection Standard

Display Area Allowance			
Defect description	Defective Specifications	Allowance	Remarks
Dot Defect (including dark dot, particles, bubbles, pits, dust, foreign matter)	$D \leq 0.2\text{mm}$	Ignored	D=Diameter
	$0.2 < D \leq 0.7\text{mm}$	$N \leq 5$	N=Quantity
	$0.7 < D \leq 1\text{mm}$	$N \leq 3$	
	$D > 1\text{mm}$	$N \leq 0$	
Linear Defect (including scratches, fluff, particles)	$W \leq 0.15\text{mm}$	Ignored	W=Width
	$0.15 < W \leq 0.5\text{mm}, L \leq 15\text{mm}$	$N \leq 2$	L=Length
	$W > 0.5\text{mm}$ or $L > 15\text{mm}$	NG	

* Visual inspection distance: 60cm, 90 degree (same for front/side/back)

Front Appearance Allowance (Including Coating)			
Defect description	Defective Specifications	Allowance	Remarks
Dot Defect (including particles, bubbles, pits...etc.)	$D \leq 0.7\text{mm}$	Ignored	D=Diameter
	$0.7 < D \leq 1.5\text{mm}$	$N \leq 3$	N=Quantity
	$D > 1.5\text{mm}$	$N \leq 0$	
Linear Defect (including scratches, fluff, particles)	$W \leq 0.2\text{mm}, L \leq 15\text{mm}$	Ignored	W=Width, L=Length
	$0.2 < W \leq 0.7\text{mm}, L \leq 15\text{mm}$	$N \leq 1$	
	$W > 0.7\text{mm}$ or $L > 15\text{mm}$	NG	

Side / Back Appearance Allowance (Including Coating)			
Defect description	Defective Specifications	Allowance	Remarks
Dot Defect (including particles, bubbles, pits...etc.)	$D \leq 1.5\text{mm}$	Ignored	D=Diameter
	$1.5 < D \leq 3\text{mm}$	$N \leq 8$	N=Quantity
	$D > 3\text{mm}$	$N \leq 2$	
Linear Defect (including scratches, fluff, particles)	$W \leq 0.8\text{mm}, L \leq 15\text{mm}$	Ignored	W=Width, L=Length
	$0.8 < W \leq 1.5\text{mm}, L \leq 15\text{mm}$	$N \leq 5$	
	$W > 1.5\text{mm}$ or $L > 15\text{mm}$	NG	



Display Area
(Red Area)



Front Appearance (Red Area)



Back Appearance