



Product Specifications

Customer	
Model Name	NTWP170-2 V500
Model Number	NTWP170<u>XX2XX</u>-GI<u>XXXXXX</u>-<u>XXFX</u>-500

* X = A~Z, 0~9 (Depends on Options.)



Records of Revision			
Vision	Modifying	Old Description	New Description
v2112.1	Preliminary Specification		



Features

- ★ 17 inch Industrial Grade Panel, 1280x1024 Resolution
- ★ Operating Temperature Range -30~85°C
- ★ Intel® 8th Generation Core i Series CPU
- ★ DDR4 8G RAM (Max. 32G)
- ★ M.2 x1, Serial ATAIIIx2, mSATA/mPCIe x1
- ★ Narrow Bezel, True Flat Projected Capacitive Touch Screen
- ★ 7H Hardness Tempered Cover Glass
- ★ 10 points Multi-touch, Supports Active Stylus
- ★ Metal Cabinet with Diverse Combine Options
- ★ Made in Taiwan, 3 Years Warranty
- ★ Optional High Brightness 1500nits, for Outdoor Environment
- ★ Optional AG Coating/Antibacterial/Privacy Filter Surface Treatment



Desktop Stand



Wall Mounting



Open-frame Bracket



Panel Mount



System Specifications

CPU	Intel® 8th Generation Core i Series CPU
Memory	DDR4 SO-DIMM x2, Max. 32G
Storage	M.2 x1, mSATA/mPCIe x1, SATA x2
GPU	Intel® HD Graphics 620
Sound Chip	Realtek ALC269 Audio CODEC
Network	Intel Gigabit LAN, RJ45 ports x2

Display Specifications

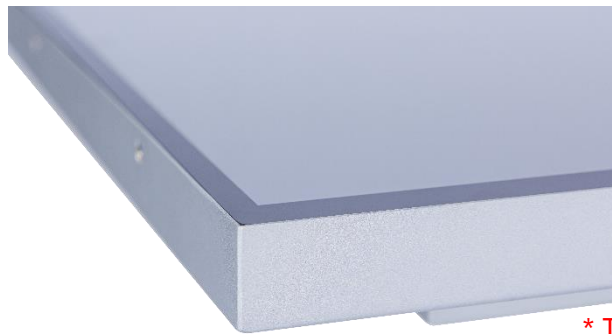
Screen Diagonal	432mm (17.0 inch)	Display Mode	TN Type, Normally Black
Display Area	337.9x270.3 mm	Backlight Unit	LED (white LED)
Resolution	1280x1024	Viewing Angle (L/R, U/D)	80°/80°/60°/80°
Contrast Ratio	800:1	Backlight Lifetime	>50,000 Hours
Display Ratio	4:3	Operating Temp.	-30~85°C
Support Colors	16.7M Colors	Storage Temp.	-30~85°C
Pixel Pitch	264x264 um	Surface Treatment	Anti-glare, Hardness 3H
Response Time	30 msec.		

Display Options

Brightness			
	Brightness	Environment	Model Name
Standard	350nits	General (Indoor)	NTWP170NX2XX-GIXXXXX-XXFX-500
Option 1	1000nits	Outdoor Environment	NTWP170AX2XX-GIXXXXX-XXFX-500
Option 2	1500nits	Sunlight Readable	NTWP170FX2XX-GIXXXXX-XXFX-500

Touch Options

Projected Capacitive			
Model Name	NTWP170X <u>P</u> 2XX-GIXXXXX-XXFX-500		
Touch Technology	Projected Capacitive	Thickness of Cover Lens	2.0±0.2mm
Allowed Touch Points	10 points	Hardness of Cover Lens	7H
Transparency	≥87%	IK Ratings	IK07
Accuracy	99.00%		

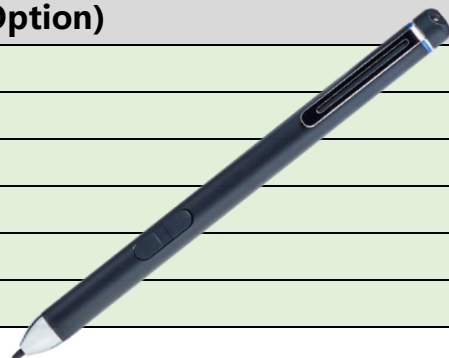


* True Flat, 1mm Bezel

Non-Touch	
Model Name	NTWP170X <u>0</u> 2XX-GIXXXXX-XXFX-500

Surface Treatment Options		
	Description	Model Name
Standard	(none)	NTWP170XX2<u>00</u>-GIXXXXX-XXFX-500
Option 1	Anti-Glare Coating	NTWP170XX2 <u>GG</u> -GIXXXXX-XXFX-500
Option 2	Antibacterial (AB Film)	NTWP170XX2 <u>AB</u> -GIXXXXX-XXFX-500
Option 3	Anti-Spy (AS Film)	NTWP170XX2 <u>SF</u> -GIXXXXX-XXFX-500

Active Stylus (Option)	
Technology	Active Capacitive Coupled
Working Frequencies	90~250 KHZ
Pressure Level	256~1024 Levels
Side Buttons	2 Side Buttons (Eraser, Barrel)
Active Tip Force	5~25g
Max. Tip Force	400g





System Options

CPU		
	Item	Model Name
Standard	Intel® Core i3-8145U	NTWP170XX2XX-GI38XXX-XXFX-500
Option 1	Intel® Core i5-8265U	NTWP170XX2XX-GI58XXX-XXFX-500
Option 2	Intel® Core i7-8565U	NTWP170XX2XX-GI78XXX-XXFX-500

Memory		
	Item	Model Name
Standard	DDR4 SO-DIMM 8G	NTWP170XX2XX-GIXX8XX-XXFX-500
Option 1	DDR4 SO-DIMM 16G	NTWP170XX2XX-GIXXAAX-XXFX-500
Option 2	DDR4 SO-DIMM 32G	NTWP170XX2XX-GIXXBXX-XXFX-500

Storage		
	Item	Model Name
Standard	SSD 128G	NTWP170XX2XX-GIXXS1-XXFX-500
Option 1	SSD 256G	NTWP170XX2XX-GIXXS2-XXFX-500
Option 2	SATA HDD 500G	NTWP170XX2XX-GIXXH5-XXFX-500
Option 3	SATA HDD 1T	NTWP170XX2XX-GIXXH1-XXFX-500

System Options (Continued)

Material of Cabinet		
	Description	Model Name
Standard	SECC	NTWP170XX2XX-GIXXXXXX-<u>S</u>XF<u>X</u>-500
Option 1	Stainless Steel	NTWP170XX2XX-GIXXXXXX- <u>L</u> XF <u>X</u> -500
Option 2	Aluminum	NTWP170XX2XX-GIXXXXXX- <u>A</u> XF <u>X</u> -500

Color of Cabinet		
	Description	Model Name
Standard	Silver	NTWP170XX2XX-GIXXXXXX-<u>X</u>S<u>F</u>X-500
Option 1	White	NTWP170XX2XX-GIXXXXXX- <u>X</u> W <u>F</u> X-500
Option 2	Black	NTWP170XX2XX-GIXXXXXX- <u>X</u> B <u>F</u> X-500
Options	Other Color	NTWP170XX2XX-GIXXXXXX- <u>X</u> X <u>F</u> X-500

* X = A~Z, 0~9 (Depends on Color)

Power Input		
	Description	Model Name
Standard	9~24VDC-in, with AC/DC Adapter	NTWP170XX2XX-GIXXXXXX-XXF<u>3</u>-500
Option	100~240VAC, C14 AC Power Socket	NTWP170XX2XX-GIXXXXXX-XXF <u>A</u> -500

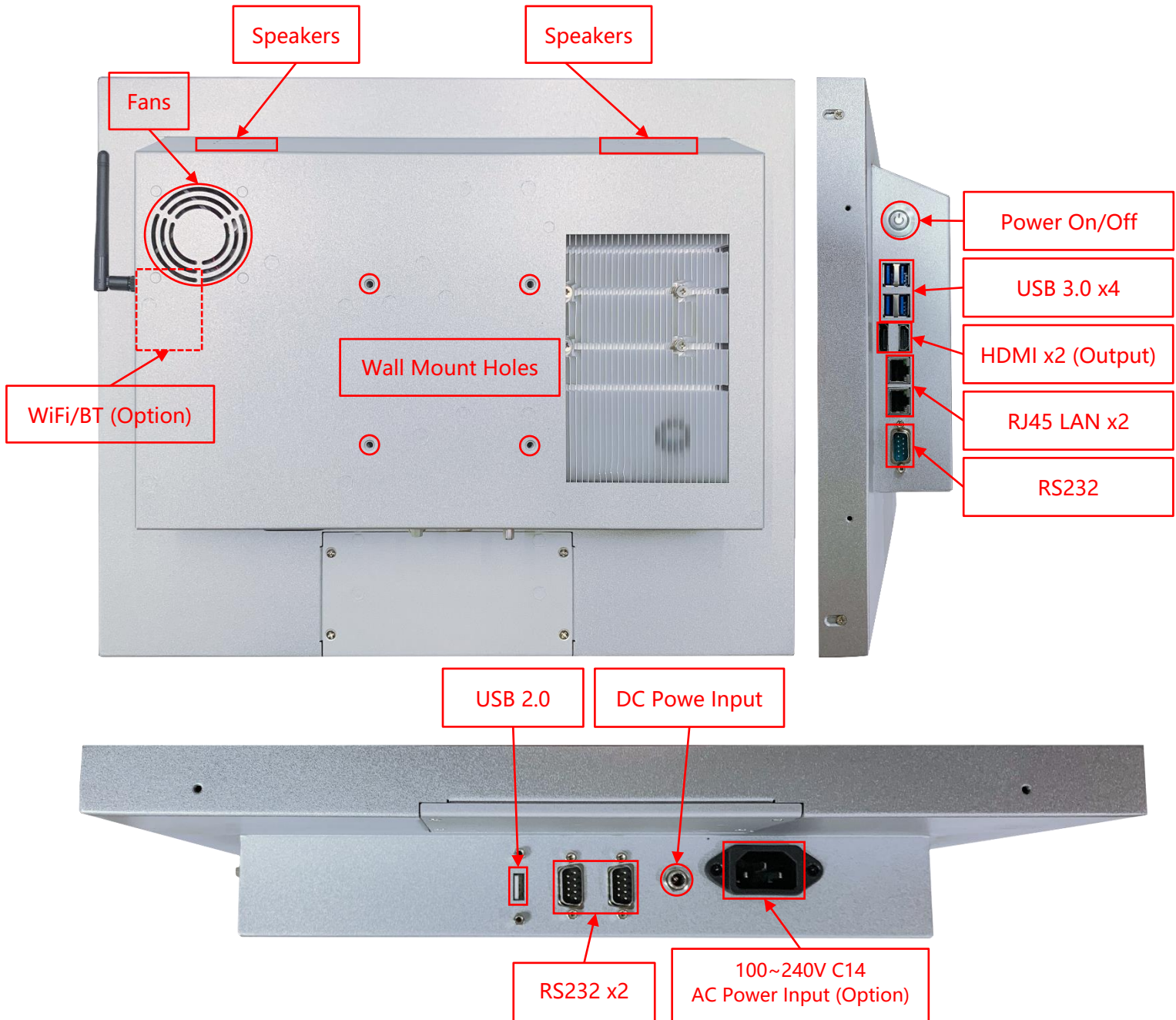


DC-in



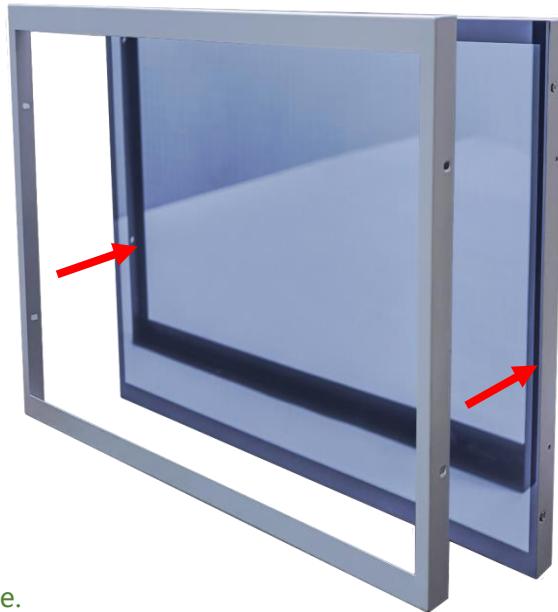
AC-in

Input /Output System



Input / Output	Connectors	Input / Output	Connectors
HDMI (Output)	2	Speakers	2W x2
USB 3.0	4	DC Power Input	1
USB 2.0	1	AC Power Input	Option
RS232	3	Wi-Fi/Bluetooth & Antenna	Option
LAN (RJ45)	2		

Front Cover (Option)



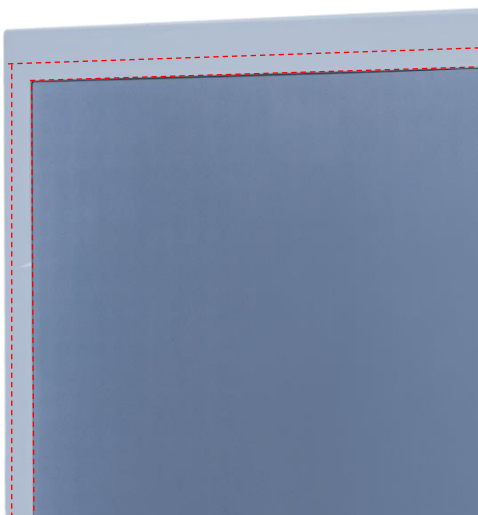
The standard **NTWP170** is true flat surface.

To protect the corners of the touch screen, the Front Cover can be added.

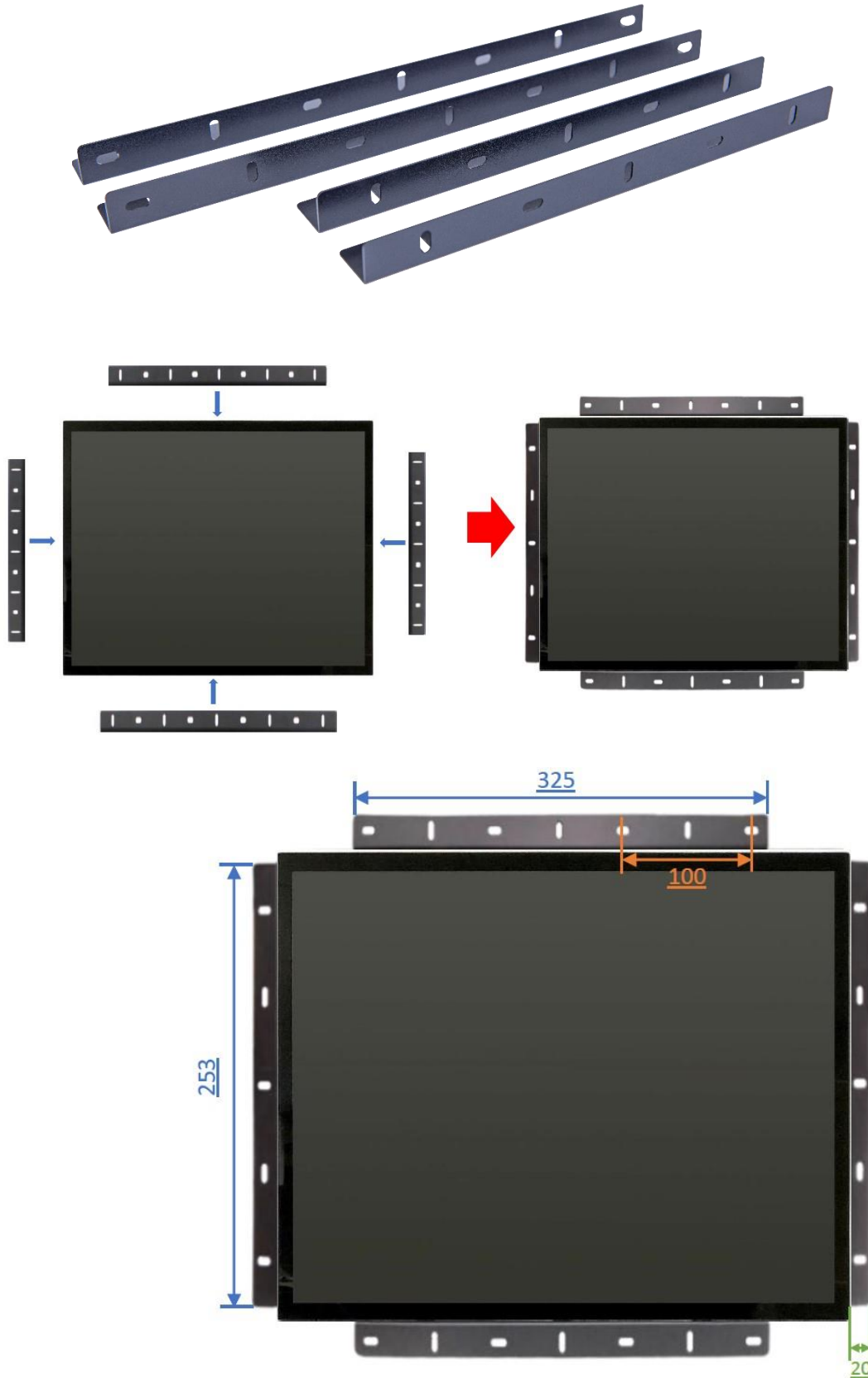


The watertight gasket can be added between the Front Cover and **NTWP170**.

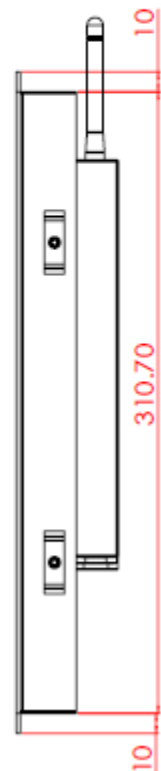
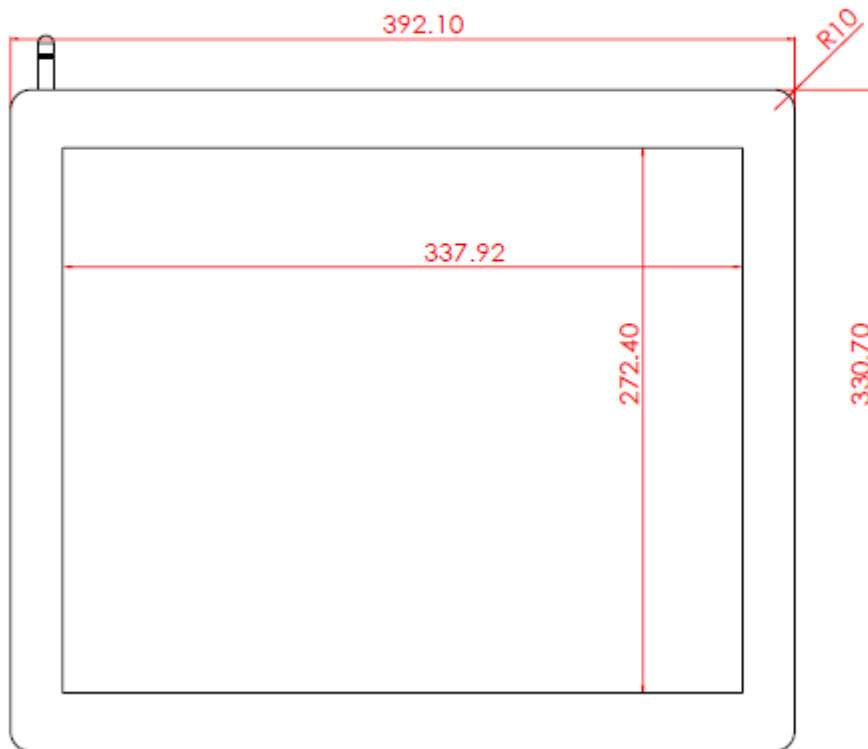
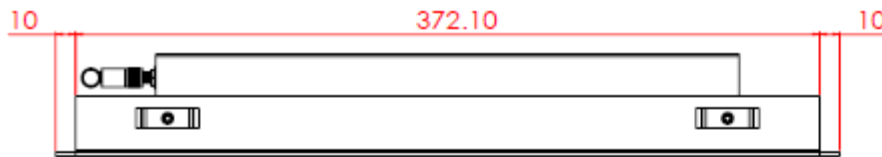
It complies **IP65** on front.

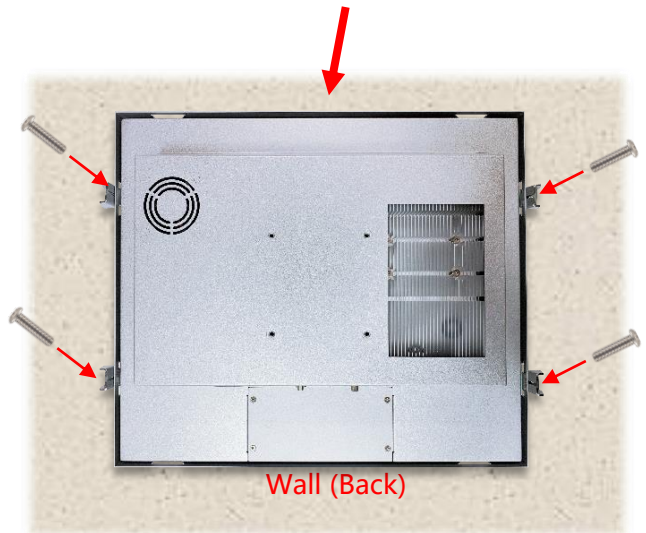
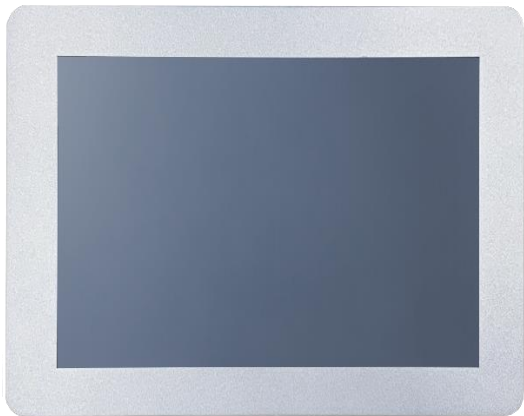
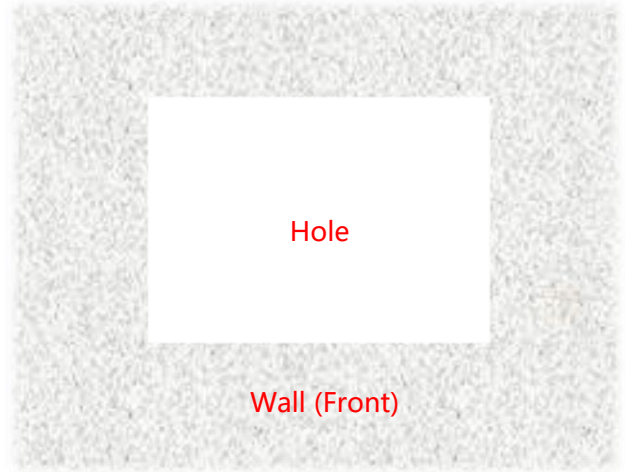
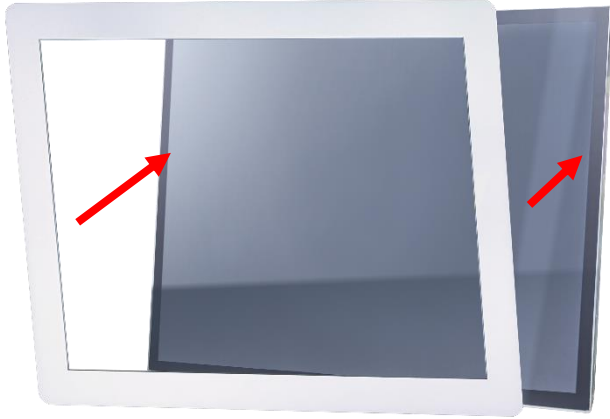


Open-frame Brackets (Option)



Panel Mount Kits (Option)





Desktop Stand (Option)

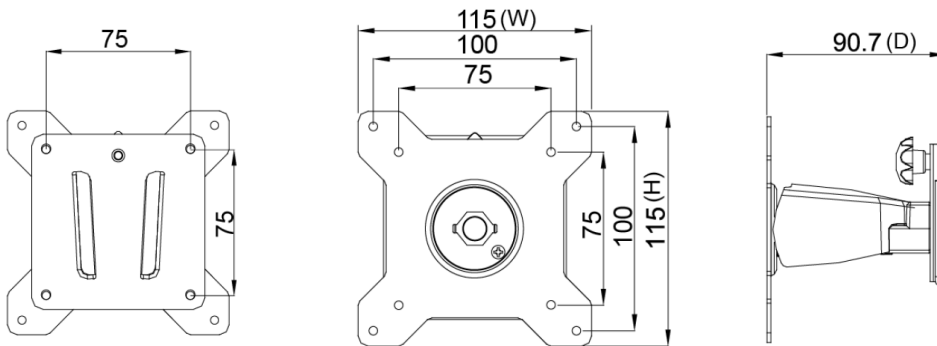
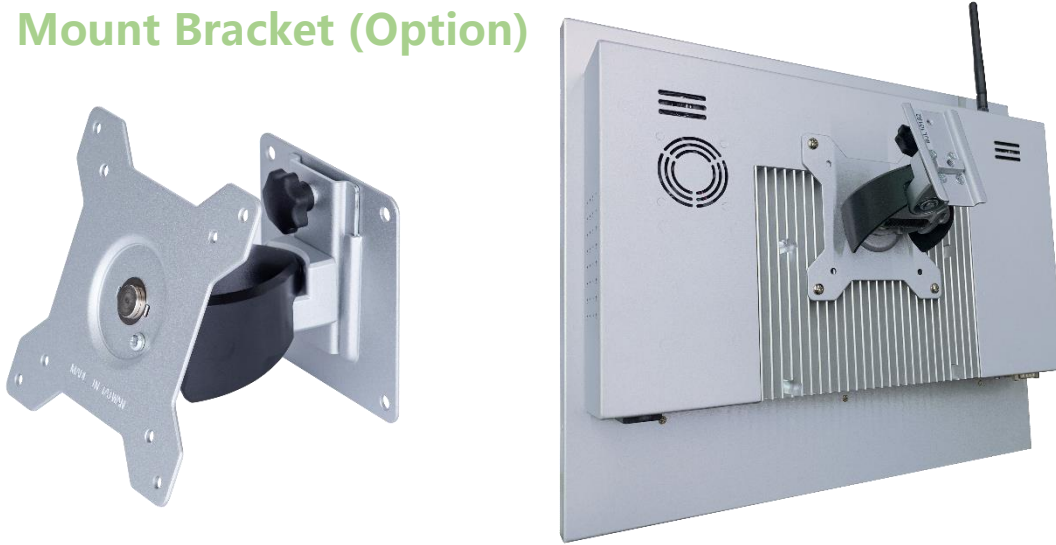
Item	B Stand	Part No.	DST-0B002/DST-1B002
Mounting Pattern	100x100 / 75x75 mm	Dimension (WxHxD)	203x275x227 mm
Material	Steel/Plastic/Aluminum	Net Weight	1.8 KG
Tilt (Hinge)	-2° ~ +180°	Support Max. Weight	15 KG



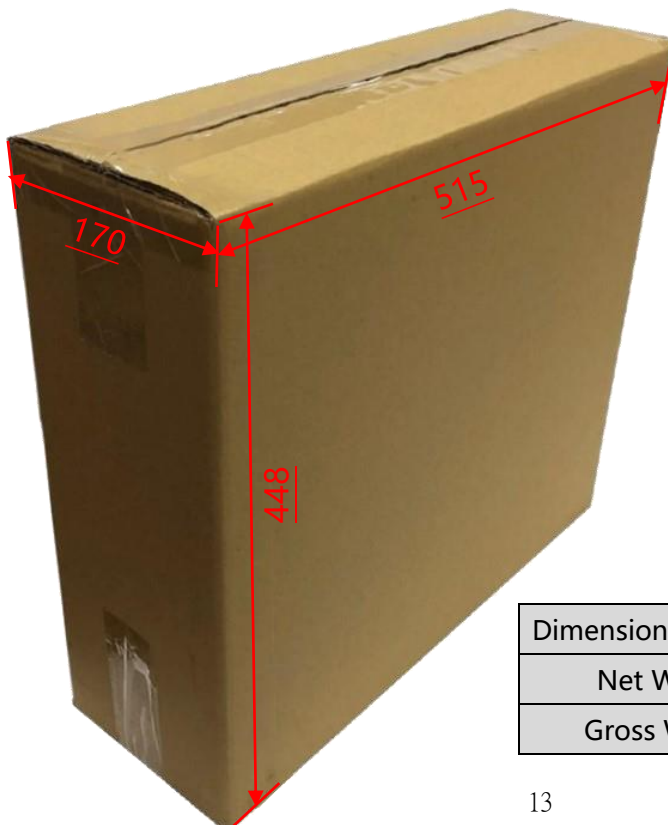
Item	Z Stand	Part No.	DST-0BZ01/DST-1BZ01
Mounting Pattern	100x100 / 75x75 mm	Dimension (WxHxD)	190x240x41.6
Material	SECC	Net Weight	2.6 KG
Tilt (Hinge)	±360°	Support Max. Weight	15 KG



Wall Mount Bracket (Option)



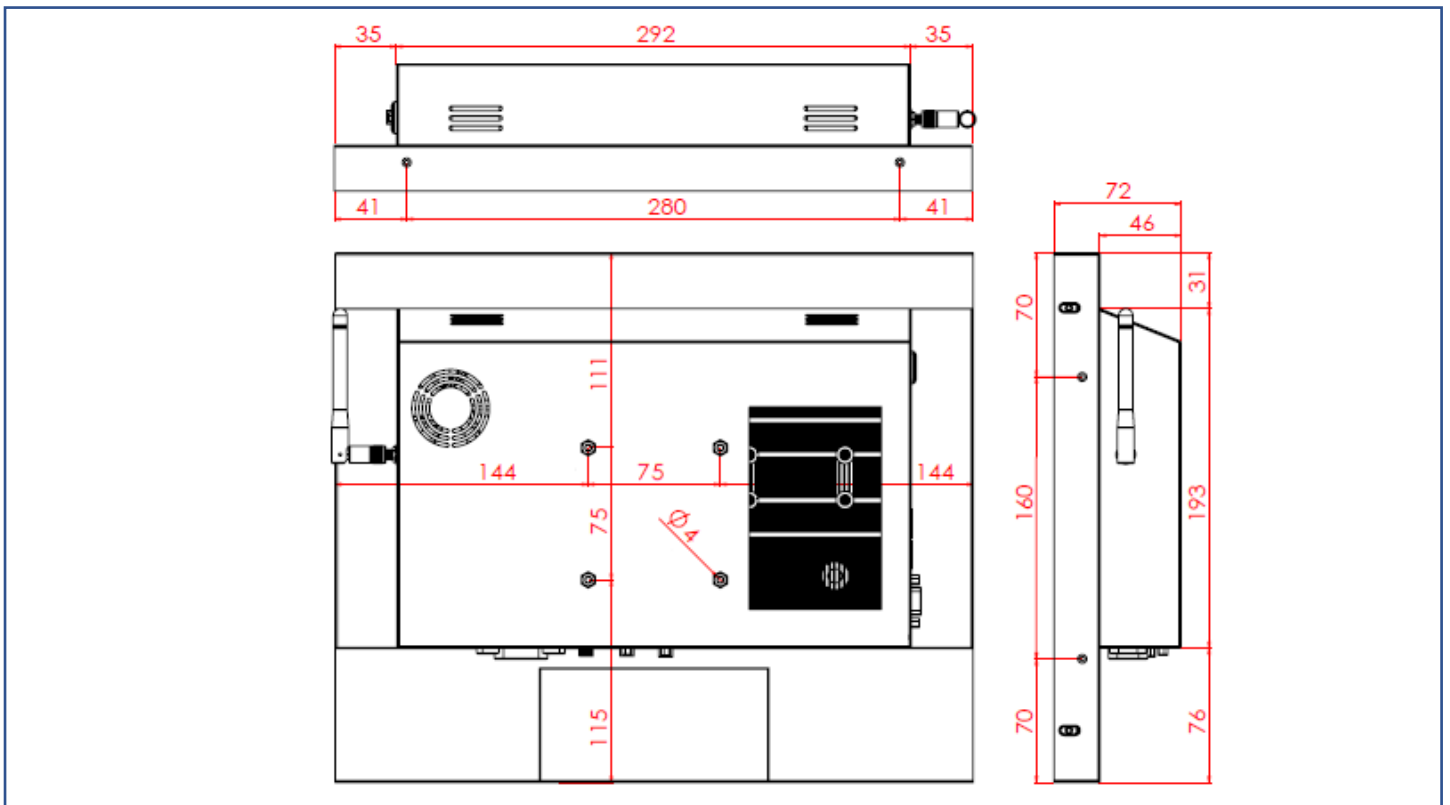
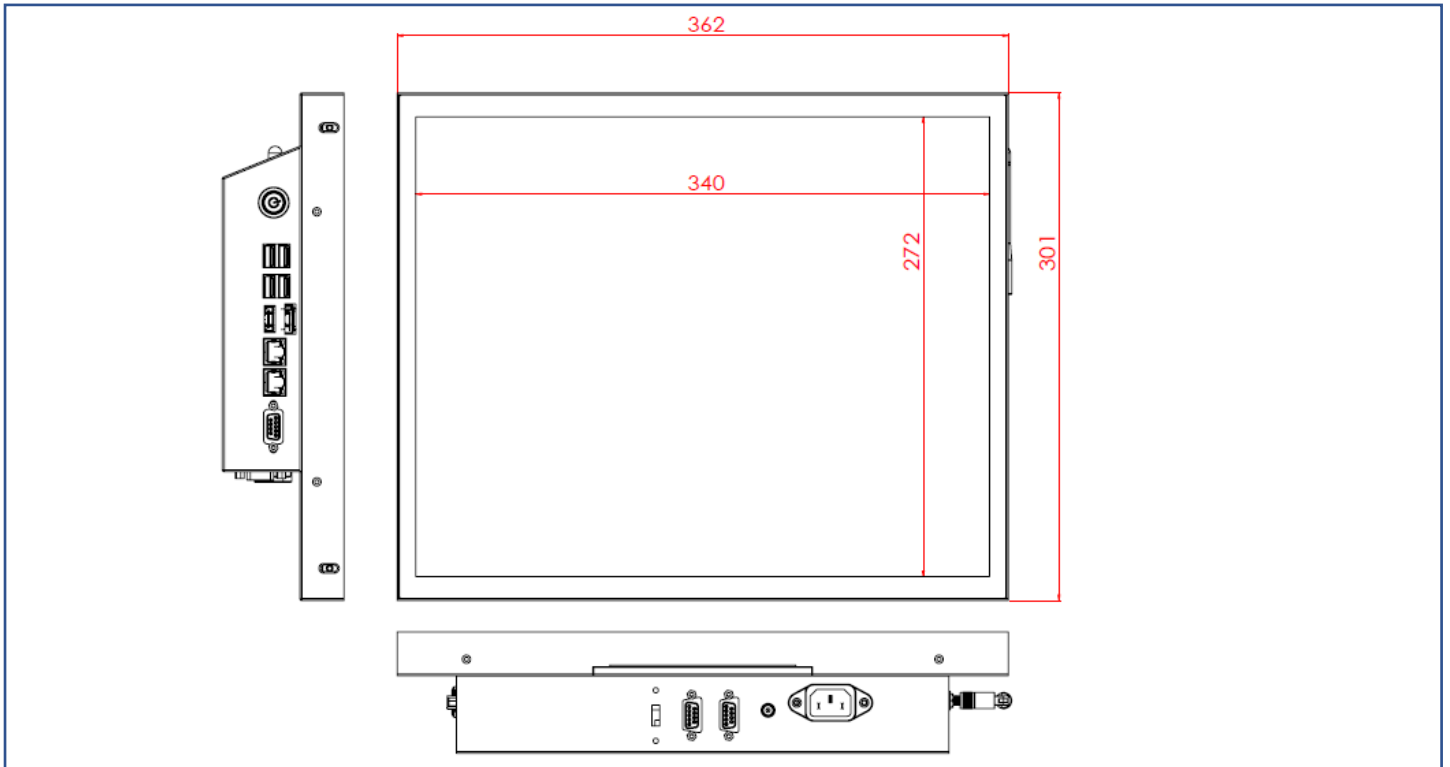
Packing Information



Dimensions of Carton	515x170x448 mm
Net Weight	≤4.2 KG
Gross Weight	≤5.7 KG

Physical Specifications

Dimension	362x301x72(±2)mm (W/O Antenna)	Net Weight	≤4.2 KG
VESA Mounting	75x75 mm	Gross Weight	≤5.7 KG



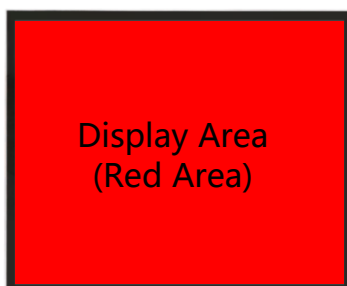
Cosmetic Inspection Standard

Display Area Allowance			
Defect description	Defective Specifications	Allowance	Remarks
Dot Defect (including dark dot, particles, bubbles, pits, dust, foreign matter)	$D \leq 0.2\text{mm}$	Ignored	D=Diameter
	$0.2 < D \leq 0.7\text{mm}$	$N \leq 5$	N=Quantity
	$0.7 < D \leq 1\text{mm}$	$N \leq 3$	
	$D > 1\text{mm}$	$N \leq 0$	
Linear Defect (including scratches, fluff, particles)	$W \leq 0.15\text{mm}$	Ignored	W=Width
	$0.15 < W \leq 0.5\text{mm}, L \leq 15\text{mm}$	$N \leq 2$	L=Length
	$W > 0.5\text{mm}$ or $L > 15\text{mm}$	NG	

* Visual inspection distance: 60cm, 90 degree (same for front/side/back)

Front Appearance Allowance (Including Coating)			
Defect description	Defective Specifications	Allowance	Remarks
Dot Defect (including particles, bubbles, pits...etc.)	$D \leq 0.7\text{mm}$	Ignored	D=Diameter
	$0.7 < D \leq 1.5\text{mm}$	$N \leq 3$	N=Quantity
	$D > 1.5\text{mm}$	$N \leq 0$	
Linear Defect (including scratches, fluff, particles)	$W \leq 0.2\text{mm}, L \leq 15\text{mm}$	Ignored	W=Width, L=Length
	$0.2 < W \leq 0.7\text{mm}, L \leq 15\text{mm}$	$N \leq 1$	
	$W > 0.7\text{mm}$ or $L > 15\text{mm}$	NG	

Side / Back Appearance Allowance (Including Coating)			
Defect description	Defective Specifications	Allowance	Remarks
Dot Defect (including particles, bubbles, pits...etc.)	$D \leq 1.5\text{mm}$	Ignored	D=Diameter
	$1.5 < D \leq 3\text{mm}$	$N \leq 8$	N=Quantity
	$D > 3\text{mm}$	$N \leq 2$	
Linear Defect (including scratches, fluff, particles)	$W \leq 0.8\text{mm}, L \leq 15\text{mm}$	Ignored	W=Width, L=Length
	$0.8 < W \leq 1.5\text{mm}, L \leq 15\text{mm}$	$N \leq 5$	
	$W > 1.5\text{mm}$ or $L > 15\text{mm}$	NG	



Display Area
(Red Area)



Front Appearance (Red Area)



Back Appearance