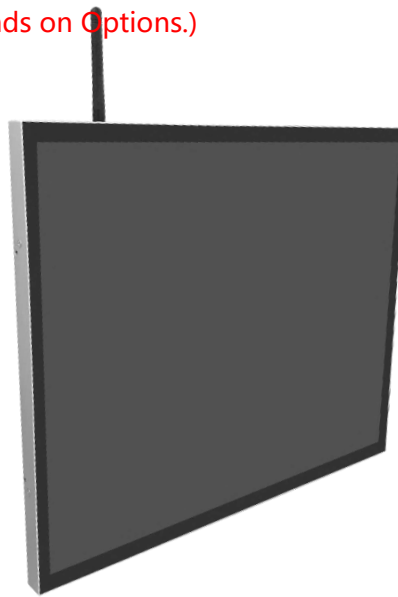




Product Specifications

| | |
|---------------------|---|
| Customer | |
| Model Name | NTWP190-1 V500E |
| Model Number | NTWP190 <u>XXSXX</u> -GP <u>XX8XX</u> - <u>XXXX</u> -500E |

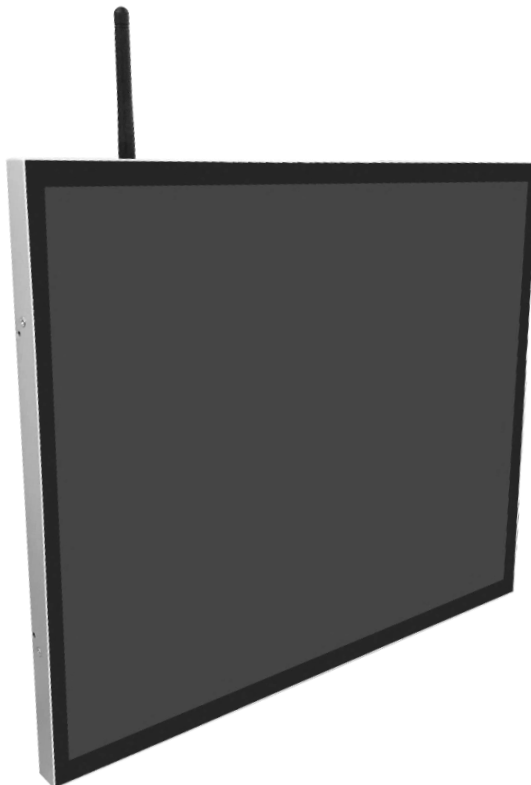
* X = A~Z, 0~9 (Depends on Options.)



| Records of Revision | | | |
|---------------------|--|-----------------|-----------------|
| Vision | Modifying | Old Description | New Description |
| v2009.1 | Preliminary Specification | | |
| v2009.2 | Revise the Touch Specification | | |
| v2009.3 | Add the Panel Mount Kits Option | | |
| | | | |
| | | | |
| | | | |

Features

- ★ 19 inch, 1280x1024 Resolution
- ★ Intel® Quad-Core N3450/N4200 CPU
- ★ DDR3 8G DRAM
- ★ Serial ATAIIIx1, mSATA/mPCIe x1
- ★ Narrow Bezel, True Flat Projected Capacitive Touch Screen
- ★ 7H Hardness Tempered Cover Glass
- ★ 10 points Multi-touch, Supports Active Stylus
- ★ Metal Cabinet with Diverse Combine Options
- ★ Made in Taiwan, 3 Years Warranty
- ★ Optional High Brightness 1500nits, for Outdoor Environment
- ★ Optional AG Coating/Antibacterial/Privacy Filter Surface Treatment



Desktop Stand



Wall Mounting



Open-frame Bracket



Panel Mount



System Specifications

| | |
|---------------------|--|
| CPU | Intel® Quad-Core Pentium® |
| Memory | DDR3 SO-DIMM 8G |
| Storage | SATAx2, mSATA/mPCIe2 x1 |
| GPU | Realtek ALC255 Audio CODEC |
| Network | Realtek Gbe LAN Chips x1 |
| Hardware Monitoring | Voltage / Temperature / Fan Speed Detection, Control |
| OS | Windows 10 64-bit |

Display Specifications

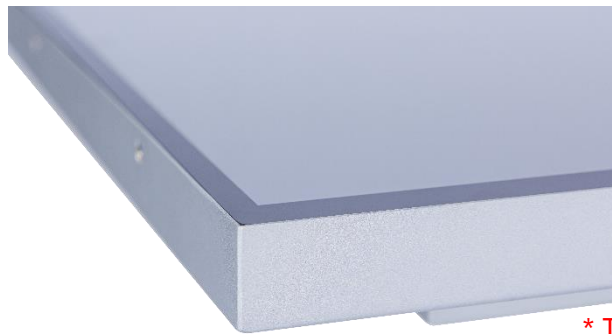
| | | | |
|-----------------|---------------------|--------------------------|-------------------------|
| Screen Diagonal | 482.6mm (19.0 inch) | Display Mode | TN Mode, Normally White |
| Display Area | 376.3x301.1 | Backlight Unit | LED (white LED) |
| Resolution | 1280x1024 | Viewing Angle (L/R, U/D) | 170°/160° |
| Contrast Ratio | 1000:1 | Backlight Lifetime | > 30,000 Hours |
| Display Ratio | 4:3 | Operating Temp. | 0~50°C |
| Support Colors | 16.7M Colors | Storage Temp. | -20~60°C |
| Pixel Pitch | 294x294 um | Surface Treatment | Anti-glare, Hardness 3H |
| Response Time | 5 msec. | | |

Display Options

| Brightness | | | |
|------------|------------|---------------------|--------------------------------|
| | Brightness | Environment | Model Name |
| Standard | 250nits | General (Indoor) | NTWP190NXSXX-GPXX8XX-XXXX-500E |
| Option 1 | 1000nits | Outdoor Environment | NTWP190AXSXX-GPXX8XX-XXFX-500E |
| Option 2 | 1500nits | Sunlight Readable | NTWP190FXSXX-GPXX8XX-XXFX-500E |

Touch Options

| Projected Capacitive | | | |
|----------------------|---|-------------------------|-----------|
| Model Name | NTWP190X <u>P</u> SXX-GPXX8XX-XXXX-500E | | |
| Touch Technology | Projected Capacitive | Thickness of Cover Lens | 1.8±0.2mm |
| Allowed Touch Points | 10 points | Hardness of Cover Lens | 7H |
| Transparency | ≥87% | IK Ratings | IK07 |
| Accuracy | 99.00% | | |

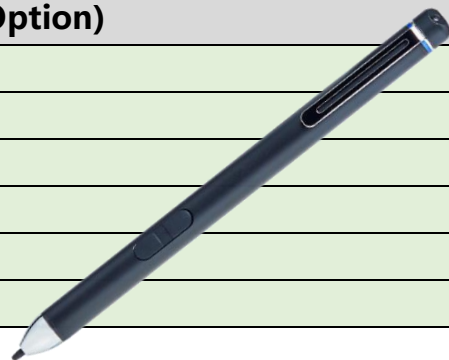


* True Flat, 1mm Bezel

| Non-Touch | |
|------------|---|
| Model Name | NTWP190X <u>0</u> SXX-GPXX8XX-XXXX-500E |

| Surface Treatment Options | | |
|---------------------------|-------------------------|--|
| | Description | Model Name |
| Standard | (none) | NTWP190XXS<u>00</u>-GPXX8XX-XXXX-500E |
| Option 1 | Anti-Glare Coating | NTWP190XXS <u>GG</u> -GPXX8XX-XXXX-500E |
| Option 2 | Antibacterial (AB Film) | NTWP190XXS <u>AB</u> -GPXX8XX-XXXX-500E |
| Option 3 | Anti-Spy (AS Film) | NTWP190XXS <u>SF</u> -GPXX8XX-XXXX-500E |

| Active Stylus (Option) | |
|------------------------|---------------------------------|
| Technology | Active Capacitive Coupled |
| Working Frequencies | 90~250 KHZ |
| Pressure Level | 256~1024 Levels |
| Side Buttons | 2 Side Buttons (Eraser, Barrel) |
| Active Tip Force | 5~25g |
| Max. Tip Force | 400g |





System Options

| CPU | | |
|-----------------|--------------|--|
| | Item | Model Name |
| Standard | N3450 | NTWP190XXSXX-GPC28XX-XXXX-500E |
| Option | N4200 | NTWP190XXSXX-GP C 48XX-XXXX-500E |

| Storage | | |
|-----------------|-----------------|--|
| | Item | Model Name |
| Standard | SSD 128G | NTWP190XXSXX-GPXX8S1-XXXX-500E |
| Option 1 | SSD 256G | NTWP190XXSXX-GPXX8 S 2-XXXX-500E |
| Option 2 | SSD 512G | NTWP190XXSXX-GPXX8 H 5-XXXX-500E |
| Option 3 | SATA HDD 1T | NTWP190XXSXX-GPXX8 H 1-XXXX-500E |

| Material of Cabinet | | |
|---------------------|-----------------|--|
| | Description | Model Name |
| Standard | SECC | NTWP190XXSXX-GPXX8XX-SXXX-500E |
| Option 1 | Stainless Steel | NTWP190XXSXX-GPXX8XX- L XXX-500E |
| Option 2 | Aluminum | NTWP190XXSXX-GPXX8XX- A XXX-500E |

| Color of Cabinet | | |
|------------------|---------------|--|
| | Description | Model Name |
| Standard | Silver | NTWP190XXSXX-GPXX8XX-XSXX-500E |
| Option 1 | White | NTWP190XXSXX-GPXX8XX- X WXX-500E |
| Option 2 | Black | NTWP190XXSXX-GPXX8XX- X BXX-500E |
| Options | Other Color | NTWP190XXSXX-GPXX8XX- X XXX-500E |

* X = A~Z, 0~9 (Depends on Color)

System Options (Continued)

| Cooling Fan | | |
|-------------|---------------------------|--|
| | Description | Model Name |
| Standard | 7 Blades/4000r.p.m/28.3dB | NTWP190 <u>XXSXX</u> -GPXX8XX-XX <u>F</u> X-500E |
| Option | Fanless | NTWP190 <u>XXSXX</u> -GPXX8XX-XX <u>0</u> X-500E |

| Power Input | | |
|-------------|----------------------------------|--|
| | Description | Model Name |
| Standard | 9~36VDC-in, with AC/DC Adapter | NTWP190 <u>XXSXX</u> -GPXX8XX-XXX <u>4</u> -500E |
| Option | 100~240V AC, C14 AC Power Socket | NTWP190 <u>XXSXX</u> -GPXX8XX-XXX <u>A</u> -500E |

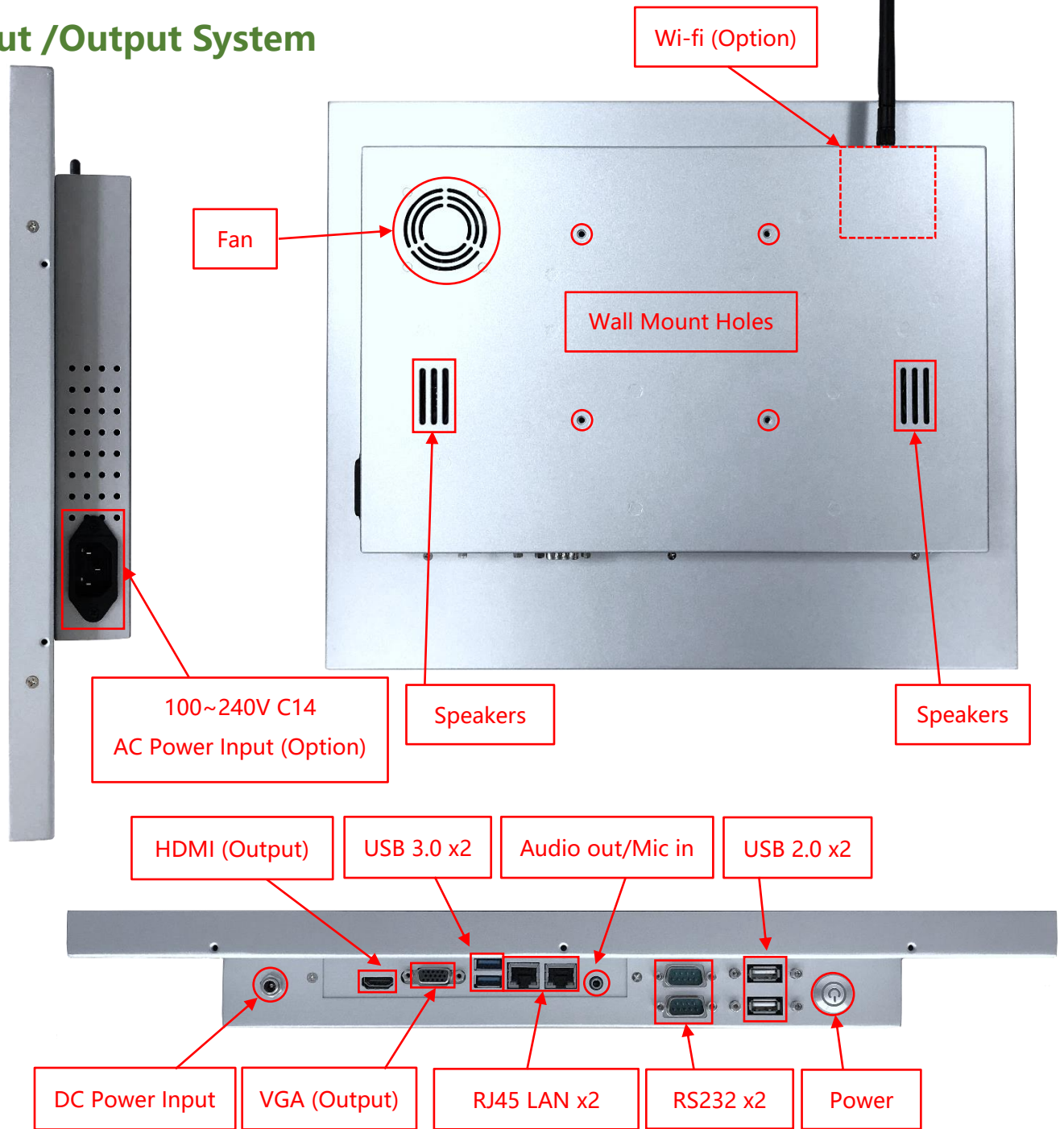


DC-in



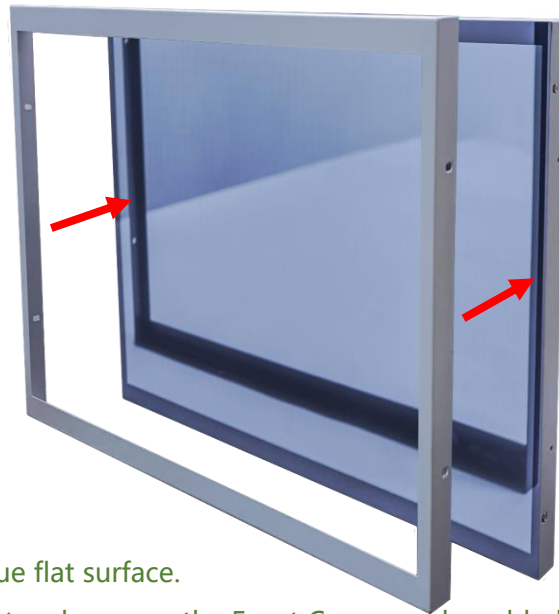
AC-in

Input /Output System



| Input / Output | Connectors | Input / Output | Connectors |
|---------------------------------|------------|---------------------------|------------|
| HDMI (Output) | 1 | USB 3.0 | 2 |
| VGA (Output) | 1 | USB 2.0 | 2 |
| Audio Output /Mic Input (3.5mm) | 1 | RS232 | 2 |
| DC Power Input | 1 | LAN (RJ45) | 2 |
| Speakers | 2W x2 | Wi-Fi/Bluetooth & Antenna | Option |

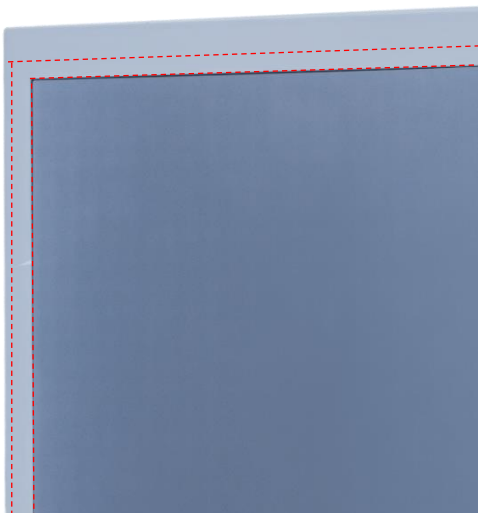
Front Cover (Option)



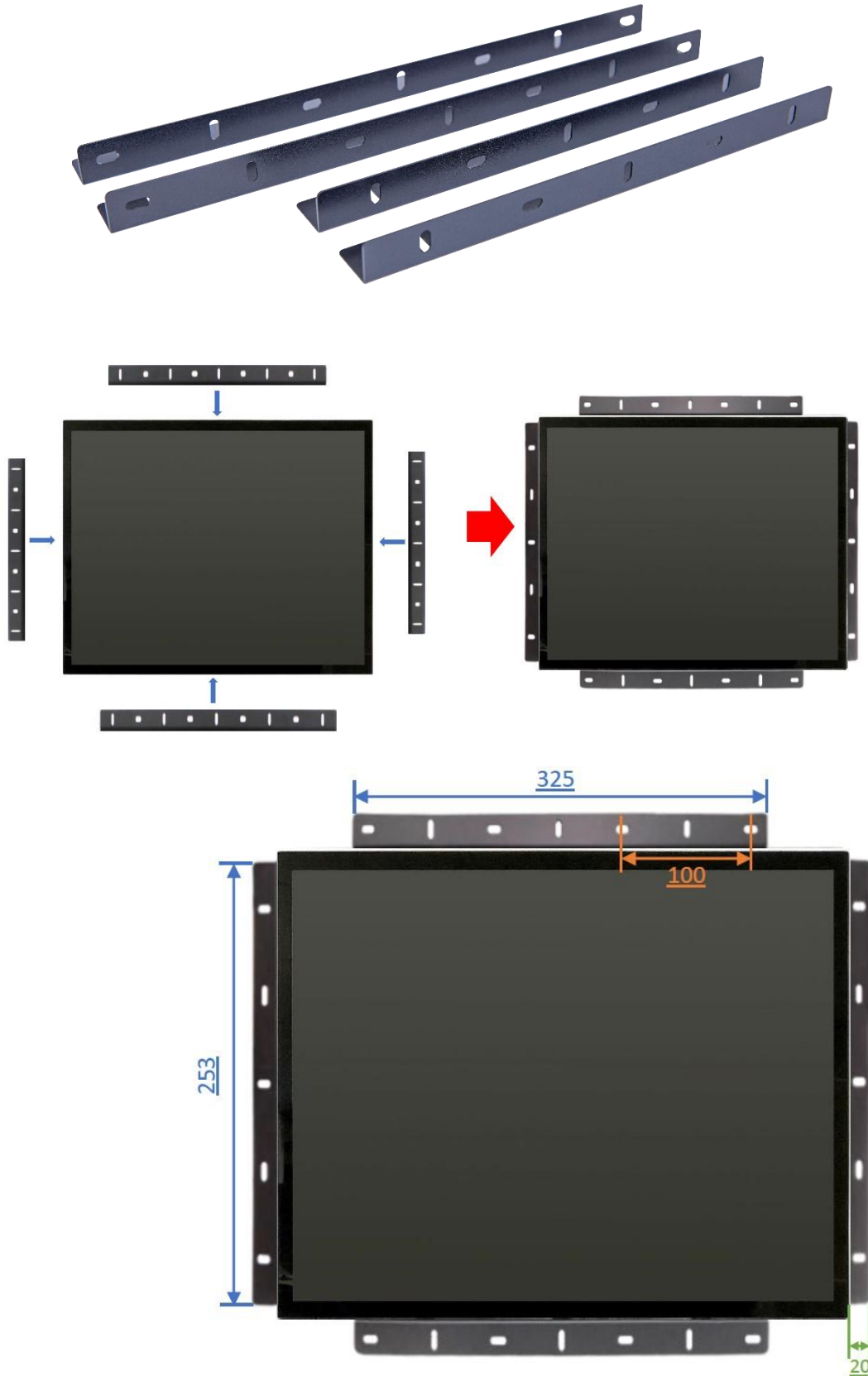
The standard **NTWP190** is true flat surface.
To protect the corners of the touch screen, the Front Cover can be added.



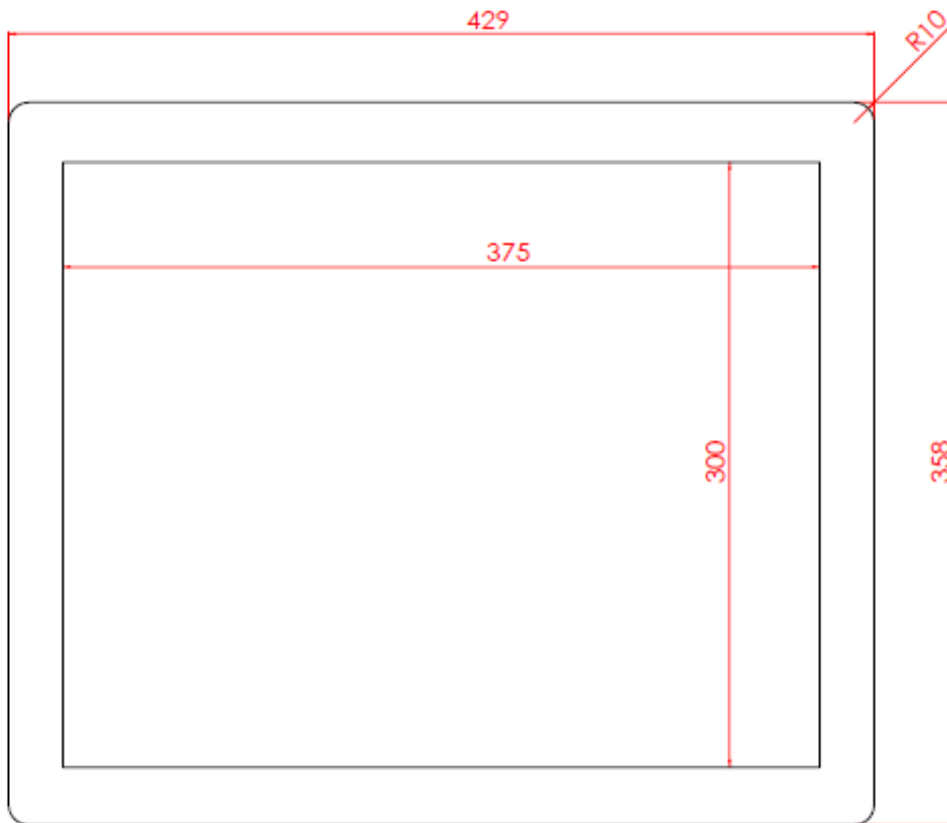
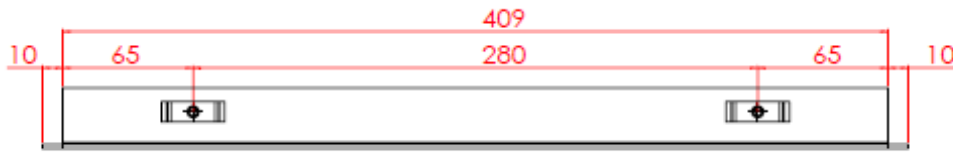
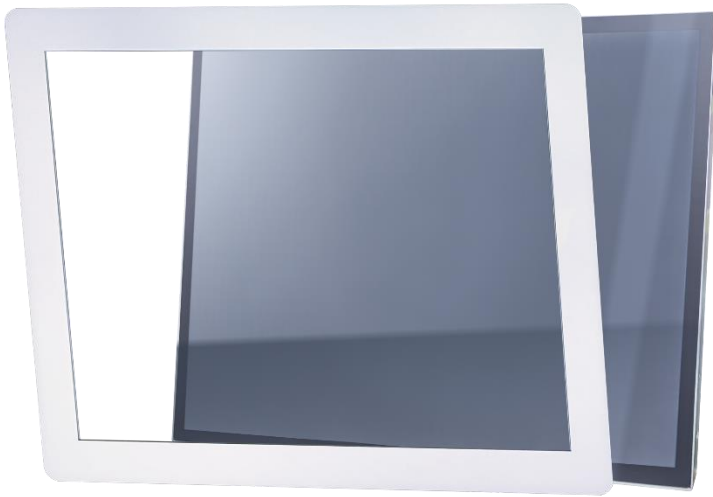
The watertight gasket can be added between the Front Cover and **NTWP190**.
It complies **IP65** on front.

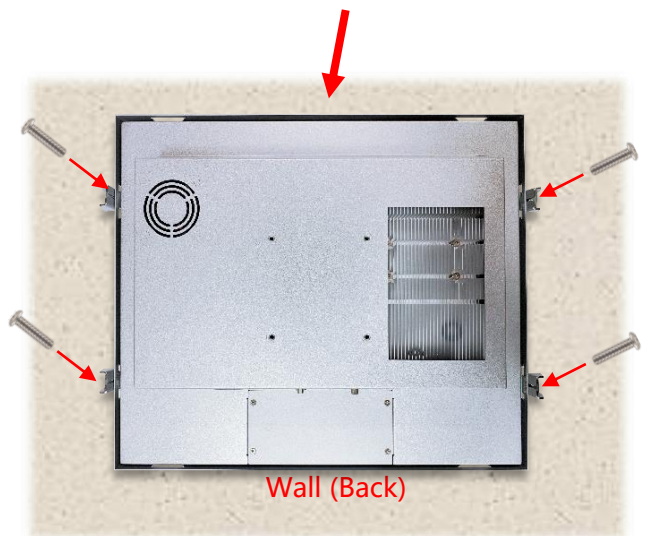
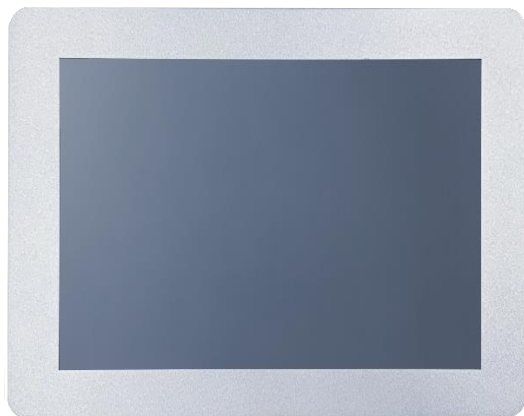
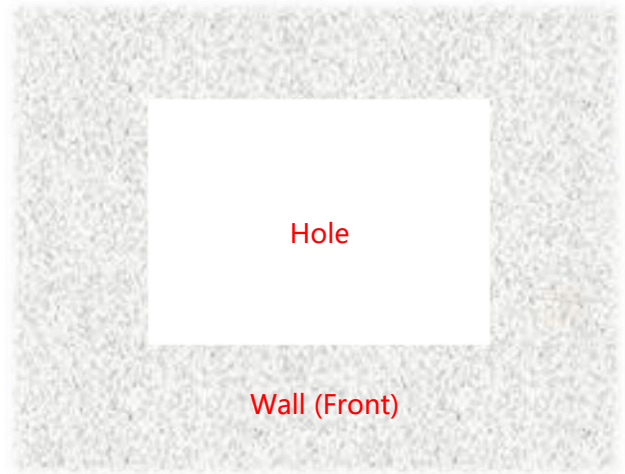
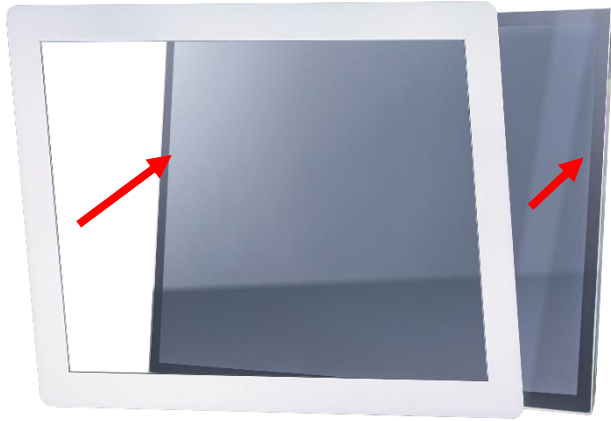


Open-frame Brackets (Option)



Panel Mount Kits (Option)





Desktop Stand (Option)

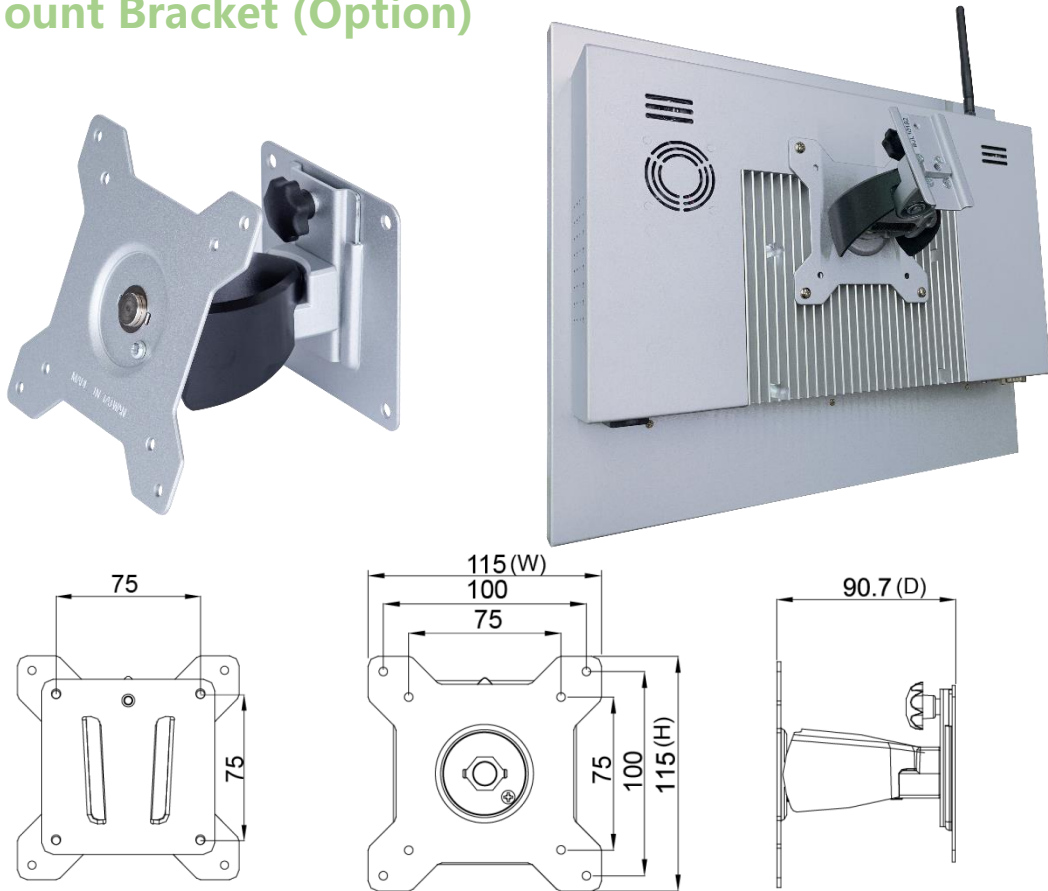
| | | | |
|------------------|------------------------|---------------------|---------------------|
| Item | B Stand | Part No. | DST-0B002/DST-1B002 |
| Mounting Pattern | 100x100 / 75x75 mm | Dimension (WxHxD) | 203x275x227 mm |
| Material | Steel/Plastic/Aluminum | Net Weight | 1.8 KG |
| Tilt (Hinge) | -2° ~ +180° | Support Max. Weight | 15 KG |



| | | | |
|------------------|--------------------|---------------------|---------------------|
| Item | Z Stand | Part No. | DST-0BZ01/DST-1BZ01 |
| Mounting Pattern | 100x100 / 75x75 mm | Dimension (WxHxD) | 190x240x41.6 |
| Material | SECC | Net Weight | 2.6 KG |
| Tilt (Hinge) | ±360° | Support Max. Weight | 15 KG |



Wall Mount Bracket (Option)



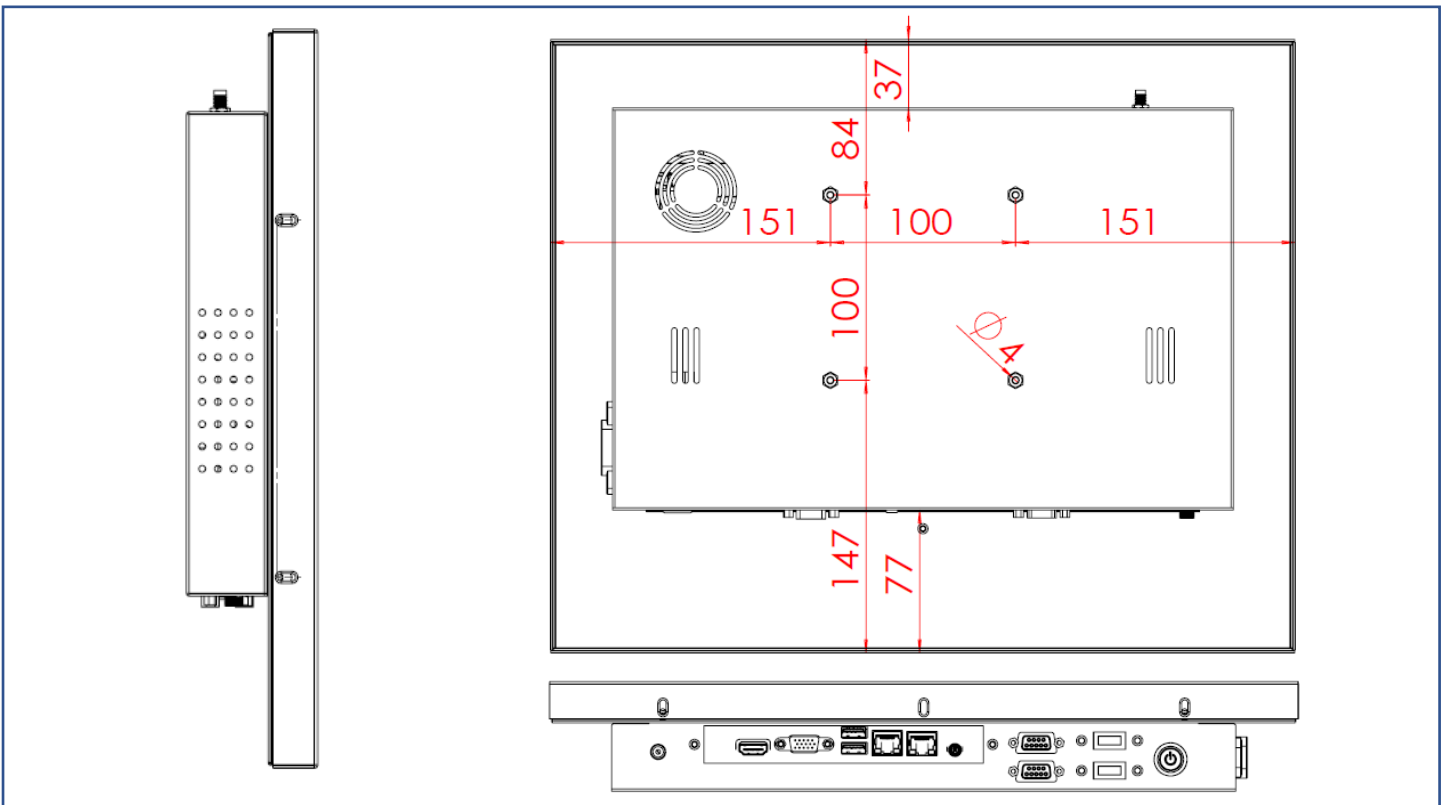
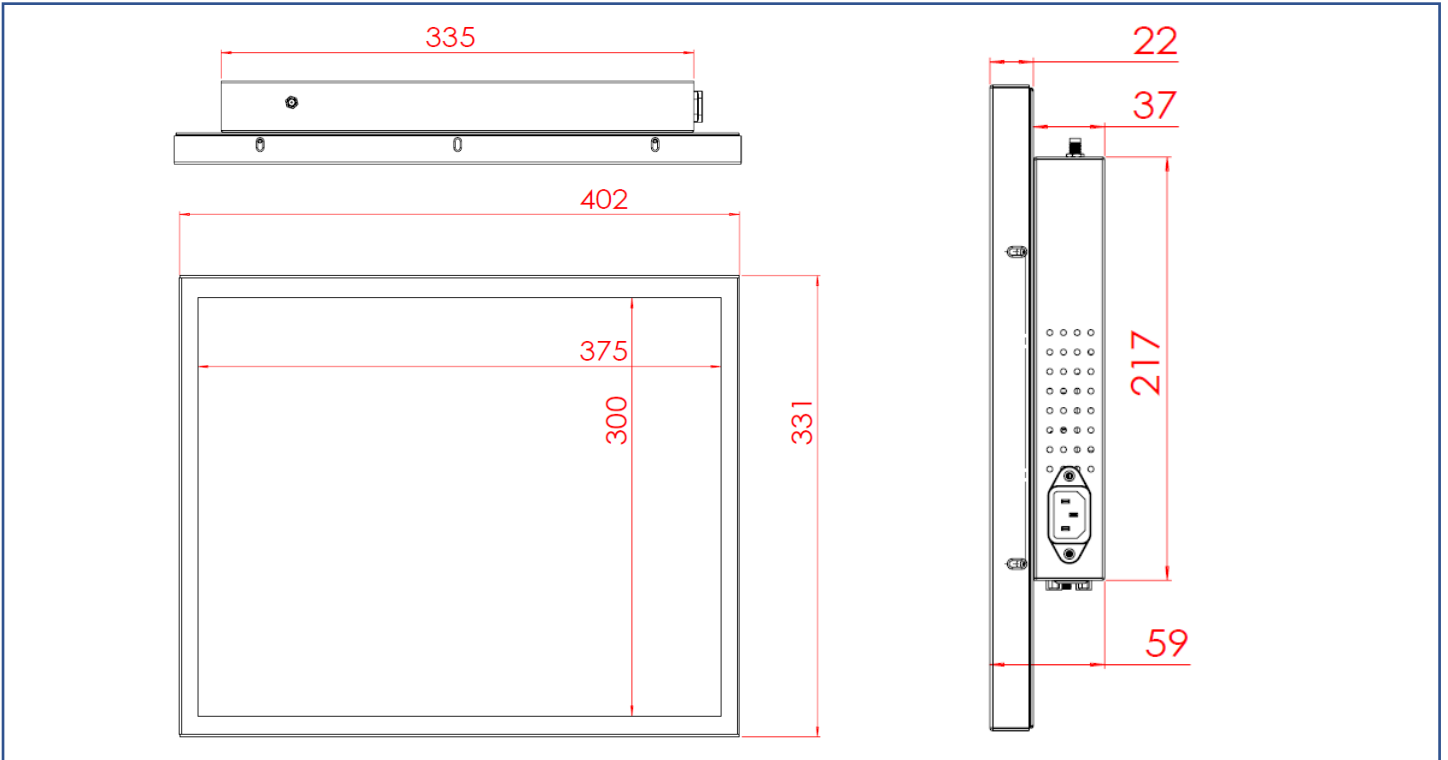
Packing Information



| | |
|----------------------|-----------------------|
| Dimensions of Carton | 515x170x448 mm |
| Net Weight | ≤4.9 KG |
| Gross Weight | ≤6.4 KG |

Physical Specifications

| | | | |
|---------------|--------------------------------|--------------|---------|
| Dimension | 402x331x59(±2)mm (W/O Antenna) | Net Weight | ≤4.9 KG |
| VESA Mounting | 100x100 mm | Gross Weight | ≤6.4 KG |



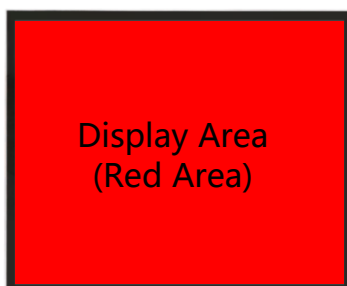
Cosmetic Inspection Standard

| Display Area Allowance | | | |
|--|--|------------|------------|
| Defect description | Defective Specifications | Allowance | Remarks |
| Dot Defect (including dark dot, particles, bubbles, pits, dust, foreign matter) | $D \leq 0.2\text{mm}$ | Ignored | D=Diameter |
| | $0.2 < D \leq 0.7\text{mm}$ | $N \leq 5$ | N=Quantity |
| | $0.7 < D \leq 1\text{mm}$ | $N \leq 3$ | |
| | $D > 1\text{mm}$ | $N \leq 0$ | |
| Linear Defect (including scratches, fluff, particles) | $W \leq 0.15\text{mm}$ | Ignored | W=Width |
| | $0.15 < W \leq 0.5\text{mm}, L \leq 15\text{mm}$ | $N \leq 2$ | L=Length |
| | $W > 0.5\text{mm}$ or $L > 15\text{mm}$ | NG | |

* Visual inspection distance: 60cm, 90 degree (same for front/side/back)

| Front Appearance Allowance (Including Coating) | | | |
|---|---|------------|-------------------|
| Defect description | Defective Specifications | Allowance | Remarks |
| Dot Defect (including particles, bubbles, pits...etc.) | $D \leq 0.7\text{mm}$ | Ignored | D=Diameter |
| | $0.7 < D \leq 1.5\text{mm}$ | $N \leq 3$ | N=Quantity |
| | $D > 1.5\text{mm}$ | $N \leq 0$ | |
| Linear Defect (including scratches, fluff, particles) | $W \leq 0.2\text{mm}, L \leq 15\text{mm}$ | Ignored | W=Width, L=Length |
| | $0.2 < W \leq 0.7\text{mm}, L \leq 15\text{mm}$ | $N \leq 1$ | |
| | $W > 0.7\text{mm}$ or $L > 15\text{mm}$ | NG | |

| Side / Back Appearance Allowance (Including Coating) | | | |
|---|---|------------|-------------------|
| Defect description | Defective Specifications | Allowance | Remarks |
| Dot Defect (including particles, bubbles, pits...etc.) | $D \leq 1.5\text{mm}$ | Ignored | D=Diameter |
| | $1.5 < D \leq 3\text{mm}$ | $N \leq 8$ | N=Quantity |
| | $D > 3\text{mm}$ | $N \leq 2$ | |
| Linear Defect (including scratches, fluff, particles) | $W \leq 0.8\text{mm}, L \leq 15\text{mm}$ | Ignored | W=Width, L=Length |
| | $0.8 < W \leq 1.5\text{mm}, L \leq 15\text{mm}$ | $N \leq 5$ | |
| | $W > 1.5\text{mm}$ or $L > 15\text{mm}$ | NG | |



Display Area
(Red Area)



Front Appearance (Red Area)



Back Appearance