



Product Specifications

Customer	
Model No.	NTWP215



Features :

- ★ Intel®Apollo lake Celeron CPU N3450
- ★ Supports Win10
- ★ WiFi/4G/Bluetooth Options.
- ★ 21.5" 1920x1080 (FHD 16:9) Resolution
- ★ VA Wide Viewing Angle Technology, 178°/178°
- ★ Projected Capacitive Touch Option
- ★ 7H Hardness Tempered Cover Glass
- ★ 10 points Multi-touch
- ★ Metal Cabinet with Diverse Installing Options
- ★ Made in Taiwan, 3 Years Warranty
- ★ Designed for all Environments
- ★ High Brightness Options
- ★ Anti-Glare/Reflection/Fingerprint/SPY... Options



Records of Revision

Vision	Modifying	Old Description	New Description
v1709.1	draft		
v1712.1	Preliminary specifications		
v1712.2	Revise Dimensions		
v1712.3	Adding Brightness 350nits option		
v1712.4	Revise the Model Number	NTGPxxx	NTAPxxx
v1810.1	Upgrade to N3450		



Computer Specification

Model Number	NTWP215XX-XXXXXG1-101
Processor(CPU) Chipset	Intel® Quad-Core Celeron® N3450 4-core CPU (1.1 up to 2.4GHz) 2 MB Cache
Memory	1 x DDR3 8G SO-DIMM
Video Ouput	1 x VGA(D-Sub), supporting a maximum resolution of 1920x1200@60 Hz 1 x HDMI port, supporting a maximum resolution of 3840x2160@30 Hz
Audio	Realtek ALC255 , High Definition 2-channel 1 x audio jack (headphone and microphone combo jack)
LAN	2 x Realtek® GbE LAN chips (10/100/1000 Mbit)
Storage Interface	2 x SATA 6Gb/s connectors 1 x MSATA connector (MSATA_MPCIE2)
USB	2 x USB 3.1 2 x USB 2.0
Com port	4 x COM Connectors (COM 1/2 support RS232, RI/5V/12V control by Jumper)
Internal Connectors	1 x GPIO 1 x I²C
Hardware Monitor	Voltage detection Temperature detection Fan speed detection Fan speed control
BIOS	2x64 Mbit flash Use of licensed AMI UEFI BIOS Support for DualBIOS™ PnP 1.0a, DMI 2.7, WfM 2.0, SM BIOS 2.7, ACPI 5.0
Operating System	Support for Windows 10 64-bit

* Depends on specifications and options.

Storage Options		
	Description	Model Number
Standard	SSD 128G	NTWP215XX-XXSXXG1-101
Option	mSATA HDD 500G	NTWP215XX-XX5XXG1-101



Display Specification

Screen Diagonal	21.5 inch	Surface Treatment	Anti-glare, Hardness 3H
Display Area	476.64x268.11 mm	Response Time	18 msec
Resolution	1920x1080 (FHD)	Backlight Unit	LED (white LED)
Pixel Pitch	248.25x248x25 um	Viewing Angle (L/R,U/D)	178° / 178° (VA type)
Contrast Ratio	3000:1	Backlight Life Time	30000 HRS
Display Ratio	16:9	Operating Temp.	0~50°C
Support Color	16.7M Color		

Brightness Options

	Brightness	Model Number	Application
Standard	250nits	NTWP215NX-XXXXXG1-101	General (Indoor Environment)
Option 1	1000nits	NTWP215AX-XXXXXG1-101	Outdoor Environment
Option 2	1500nits	NTWP215EX-XXXXXG1-101	Sunlight Readable

* For outdoor application.

Physical Specifications

Dimension (w/o Antena)	536x327.5x56 mm	Net Weight	≤ 6.86 KG
Dimension (w/ Antena)	536x500.3x56 mm	Gross Weight	≤ 9.38 KG
Wall Mount Hole	75x75 / 100x100 mm		

Cabinet Options

	Description	Model Number
Standard	Galvanized steel (SECC)	NTWP215XX-XXXSXG1-101
Option 1	Stainless Steel	NTWP215XX-XXXAXG1-101
Option 2	Aluminum	NTWP215XX-XXXLXG1-101

Surface Film Options

AG	Anti-Glare	AR	Anti-Reflective
AFP	Anti-Fouling/Fingerprint	AS	Anti-Spy



Touch Specifications

Non-touch Model

Full Model No.	NTWP215N _Q -XXXXXG1-101	Tempered Glass Thickness	2.0±0.2mm
		Glass Hardness	≥7H

Projected Capacitive Touch Model

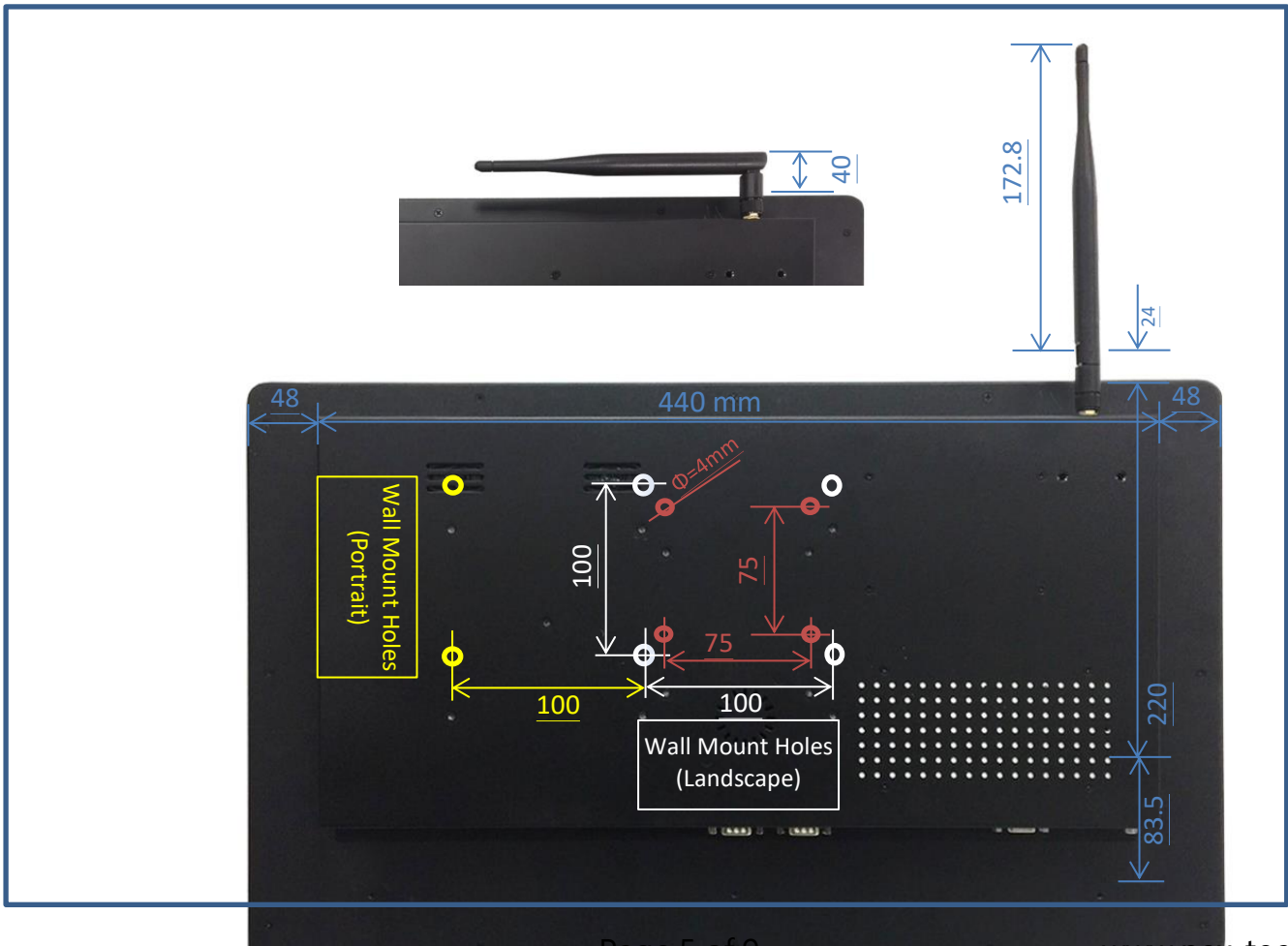
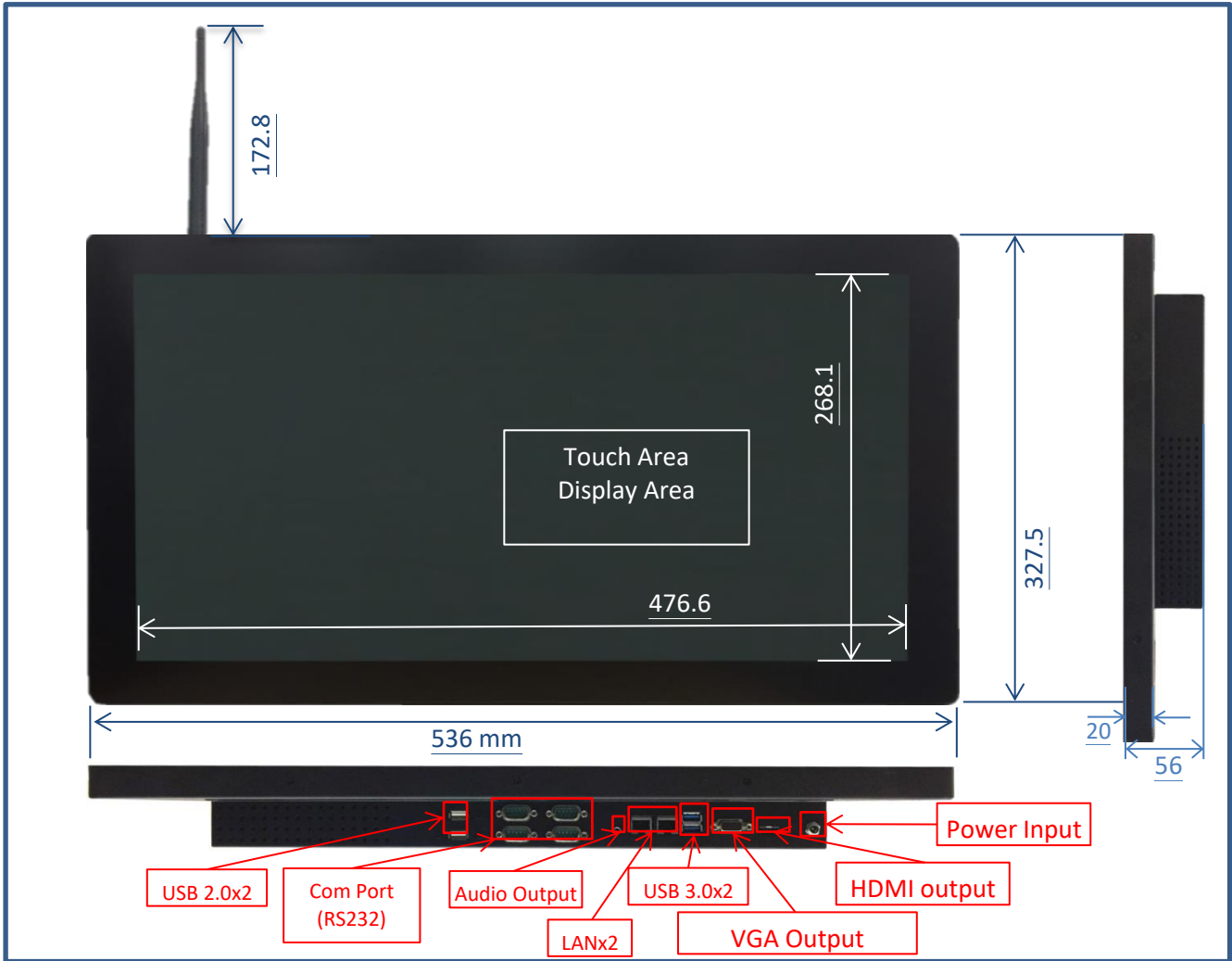
Full Model No.	NTWP215N _P -XXXXXG1-101	Transparency	≥87%
Touch Screen	Projected Capacitive	Operating Temp.	-10°C~50°C
Allowed touch points	10 points	Hardness	≥7H



Accessories

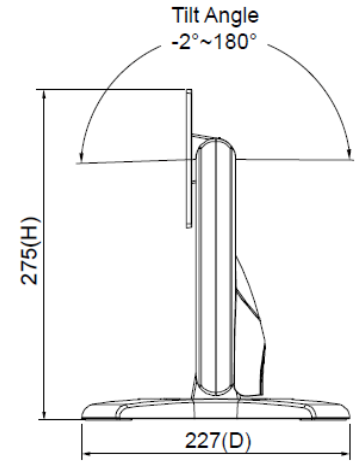
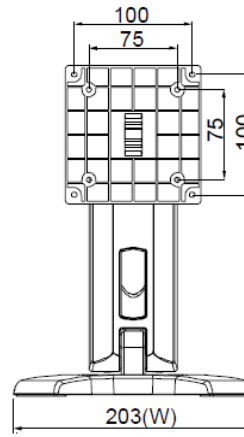
Item	Description	Quantity
Driver CD		1
AC-DC Adapter	4.16A/12V with CE/FCC/CCC/UL/RoHS/PSE/JET Certification	1
Power cord	*(depends on Country)	1

Outward and Dimensions

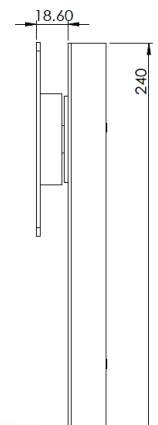
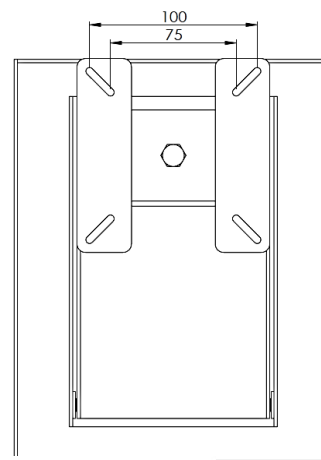


Optional Accessories (Desktop Stand)

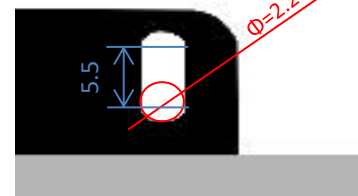
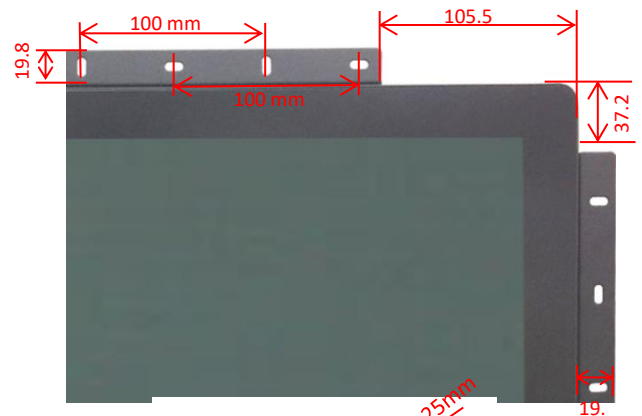
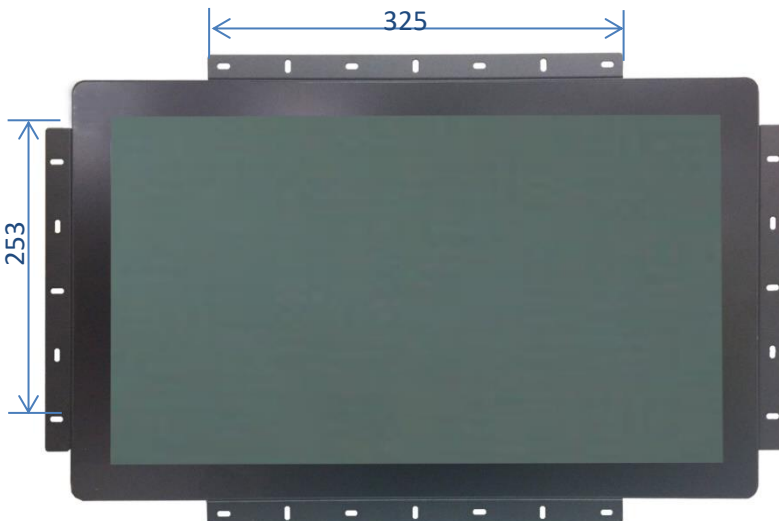
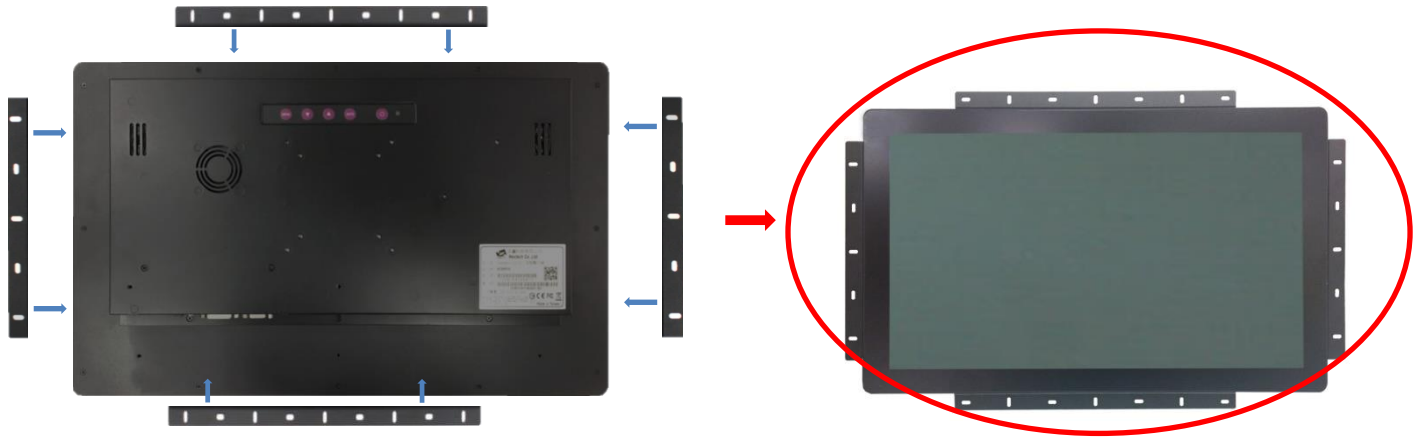
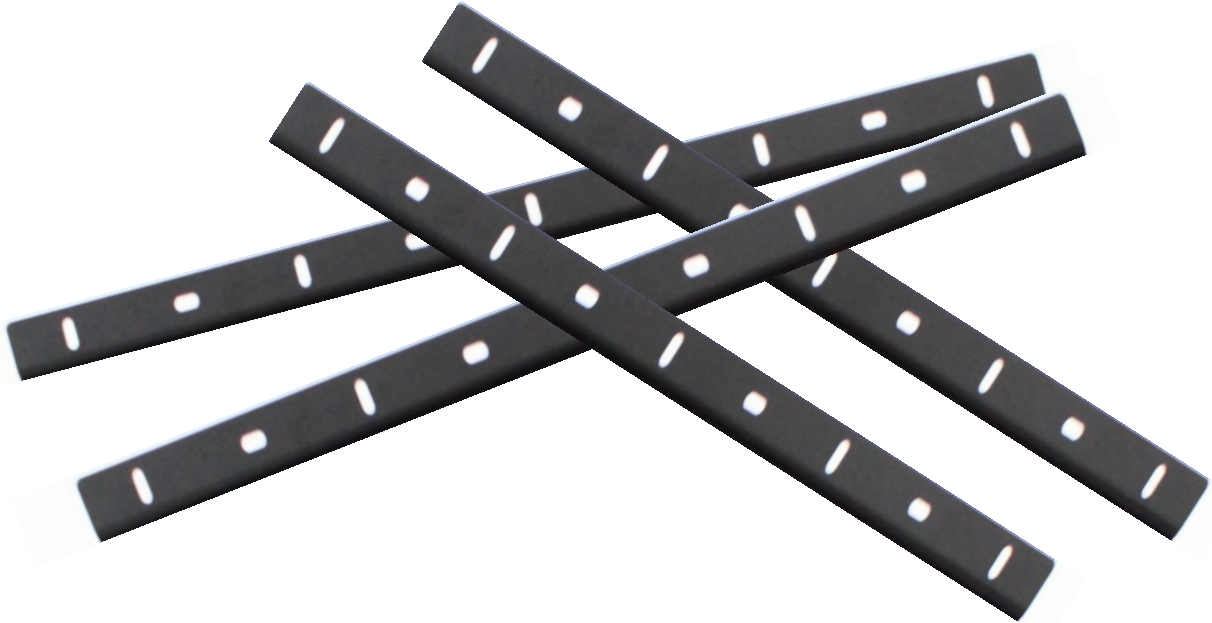
Item	B Stand	Part No.	P1SS0 / P1SS0-02
Mounting Pattern	100x100 / 75x75 mm	Dimension (WxHxD)	203x275x227 mm
Material	Steel/Plastic/Aluminum	Net Weight	1.8 KG
Tile(Hinge)	-2° ~ +180°	Support Max. Weight	15 KG



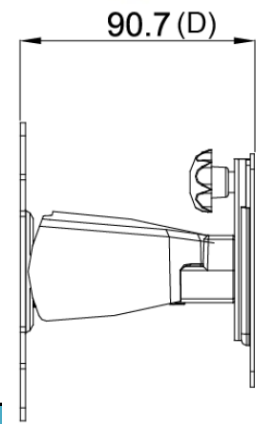
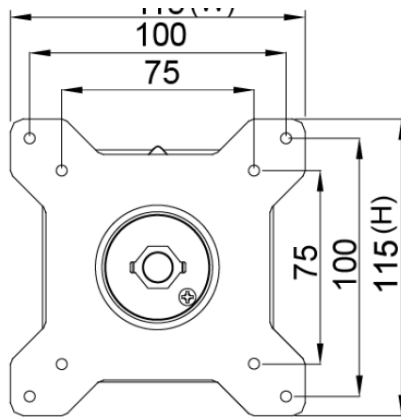
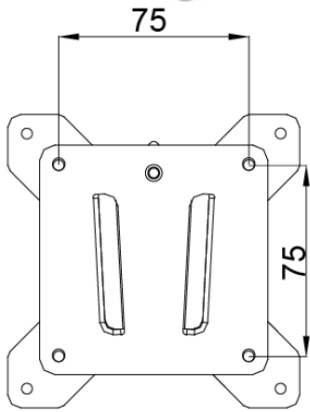
Item	Z Stand	Part No.	P1SZ2
Mounting Pattern	100x100 / 75x75 mm	Dimension (WxHxD)	190x240x41.6
Material	SECC	Net Weight	2.6 KG
Tile(Hinge)	±360°	Support Max. Weight	15 KG



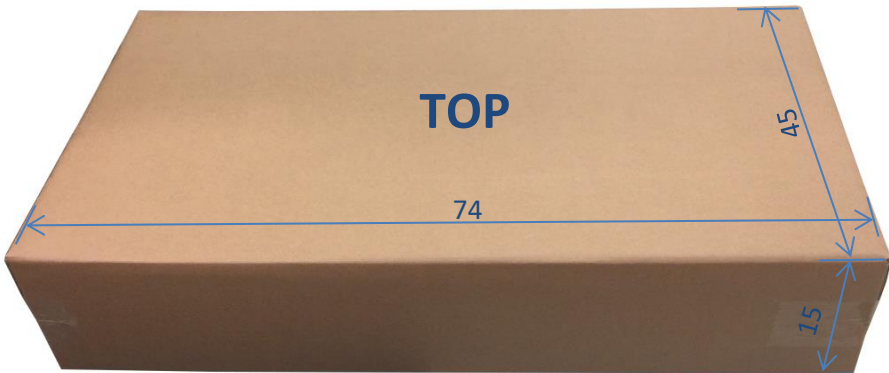
Optional Accessories (Open-frame Brackets)



Optional Accessories (Wall Mount Bracket)



Packing information



Net Weight	≤ 6.29 KG
Gross Weight	≤ 9.08 KG
Q'ty per Pallet	27 units
Pallet Size	120x100x15 CM
Total Size	120x100x150 CM
Total Weight	265.16 KG

Optional Accessories (Desktop Stand or Arm)



- 273x180x265 mm
- 1.07 KG
- Support 12 KG



- 620x556x123 mm
- 3 KG
- Support 10 KG



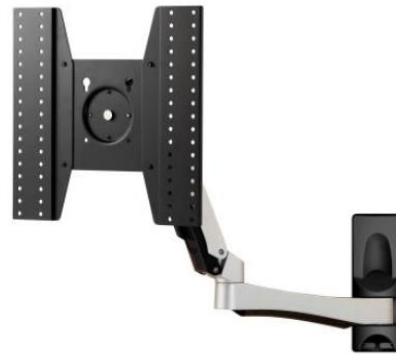
- 250x192x445 mm
- 1.4 KG
- Support 12 KG



- 655x858.5x563 mm
- 7.56 KG
- Support 30 KG



- 158x403x144 mm
- 2.12 KG
- Support 12 KG



- 646x861x953.5 mm
- 8.57 KG
- Support 30 KG



- 423x403x240 mm
- 1.91 KG
- Support 12 KG



- 1300x403x307 mm
- 5.3 KG
- Support 8 KG



- 715x393x144 mm
- 3.68 KG
- Support 12 KG

