



Product Specifications

Customer	
Model No.	NTWP215



Features :

- ★ Intel®Apollo lake Pentium CPU N4200
- ★ Supports Win10
- ★ WiFi/4G/Bluetooth Options.
- ★ 21.5" 1920x1080 (FHD 16:9) Resolution
- ★ VA Wide Viewing Angle Technology, 178°/178°
- ★ Projected Capacitive Touch Option
- ★ 7H Hardness Tempered Cover Glass
- ★ 10 points Multi-touch
- ★ Metal Cabinet with Diverse Installing Options
- ★ Made in Taiwan, 3 Years Warranty
- ★ Designed for all Environments
- ★ High Brightness Options
- ★ Anti-Glare/Reflection/Fingerprint/SPY... Options



Records of Revision			
Vision	Modifying	Old Description	New Description
v1810.1	Preliminary specifications		



Computer Specification

Model Number	NTWP215XX-XXXXXH1-101
Processor(CPU) Chipset	Intel® Quad-Core Pentium® N4200 4-core CPU (1.1 up to 2.5GHz) 2 MB Cache
Memory	1 x DDR3 8G SO-DIMM
Video Ouput	1 x VGA(D-Sub), supporting a maximum resolution of 1920x1200@60 Hz 1 x HDMI port, supporting a maximum resolution of 3840x2160@30 Hz
Audio	Realtek ALC255 , High Definition 2-channel 1 x audio jack (headphone and microphone combo jack)
LAN	2 x Realtek® GbE LAN chips (10/100/1000 Mbit)
Storage Interface	2 x SATA 6Gb/s connectors 1 x MSATA connector (MSATA_MPCIE2)
USB	2 x USB 3.1 2 x USB 2.0
Com port	4 x COM Connectors (COM 1/2 support RS232, RI/5V/12V control by Jumper)
Internal Connectors	1 x GPIO 1 x I ² C
Hardware Monitor	Voltage detection Temperature detection Fan speed detection Fan speed control
BIOS	2x64 Mbit flash Use of licensed AMI UEFI BIOS Support for DualBIOS™ PnP 1.0a, DMI 2.7, WfM 2.0, SM BIOS 2.7, ACPI 5.0
Operating System	Support for Windows 10 64-bit

* Depends on specifications and options.

Storage Options		
	Description	Model Number
Standard	SSD 128G	NTWP215XX-XXSXXH1-101
Option	mSATA HDD 500G	NTWP215XX-XX5XXH1-101



Display Specification

Screen Diagonal	21.5 inch	Surface Treatment	Anti-glare, Hardness 3H
Display Area	476.64x268.11 mm	Response Time	18 msec
Resolution	1920x1080 (FHD)	Backlight Unit	LED (white LED)
Pixel Pitch	248.25x248x25 um	Viewing Angle (L/R,U/D)	178° / 178° (VA type)
Contrast Ratio	3000:1	Backlight Life Time	30000 HRS
Display Ratio	16:9	Operating Temp.	0~50°C
Support Color	16.7M Color		

Brightness Options

	Brightness	Model Number	Application
Standard	250nits	NTWP215NX-XXXXXH1-101	General (Indoor Environment)
Option 1	1000nits	NTWP215AX-XXXXXH1-101	Outdoor Environment
Option 2	1500nits	NTWP215EX-XXXXXH1-101	Sunlight Readable

* For outdoor application.

Physical Specifications

Dimension (w/o Antena)	536x327.5x56 mm	Net Weight	≤ 6.86 KG
Dimension (w/ Antena)	536x500.3x56 mm	Gross Weight	≤ 9.38 KG
Wall Mount Hole	75x75 / 100x100 mm		

Cabinet Options

	Description	Model Number
Standard	Galvanized steel (SECC)	NTWP215XX-XXXSXH1-101
Option 1	Stainless Steel	NTWP215XX-XXXAXH1-101
Option 2	Aluminum	NTWP215XX-XXXLXH1-101

Surface Film Options

AG	Anti-Glare	AR	Anti-Reflective
AFP	Anti-Fouling/Fingerprint	AS	Anti-Spy



Touch Specifications

Non-touch Model

Full Model No.	NTWP215N _Q -XXXXXH1-101	Tempered Glass Thickness	2.0±0.2mm
		Glass Hardness	≥7H

Projected Capacitive Touch Model

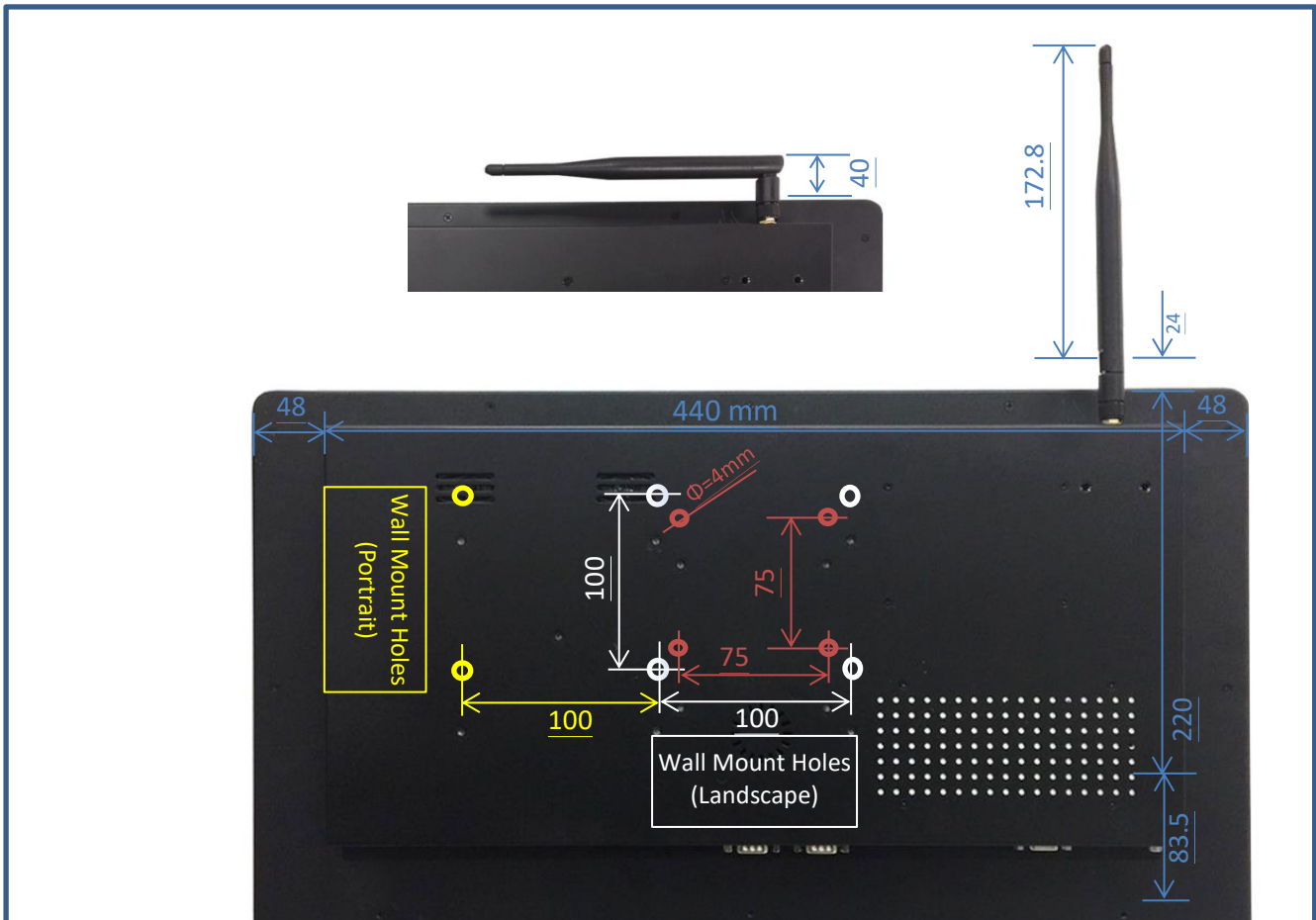
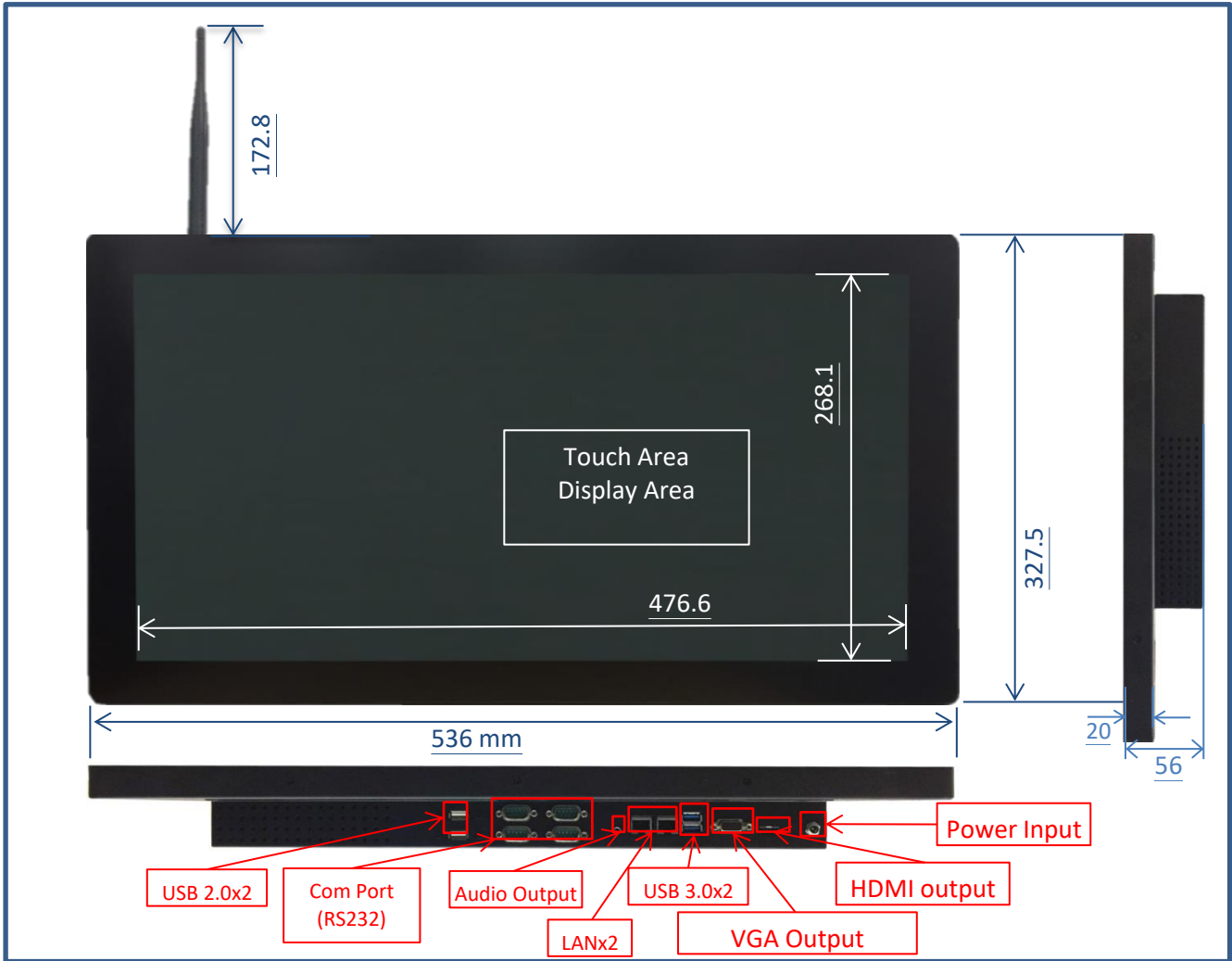
Full Model No.	NTWP215N _P -XXXXXH1-101	Transparency	≥87%
Touch Screen	Projected Capacitive	Operating Temp.	-10°C~50°C
Allowed touch points	10 points	Hardness	≥7H



Accessories

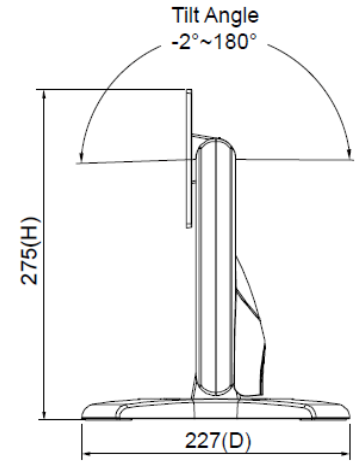
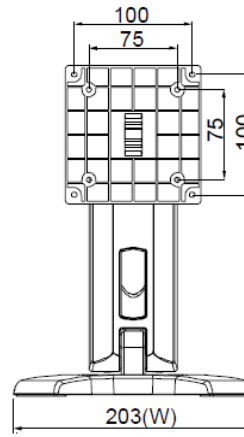
Item	Description	Quantity
Driver CD		1
AC-DC Adapter	4.16A/12V with CE/FCC/CCC/UL/RoHS/PSE/JET Certification	1
Power cord	*(depends on Country)	1

Outward and Dimensions

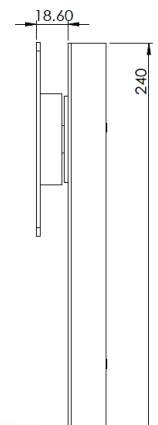
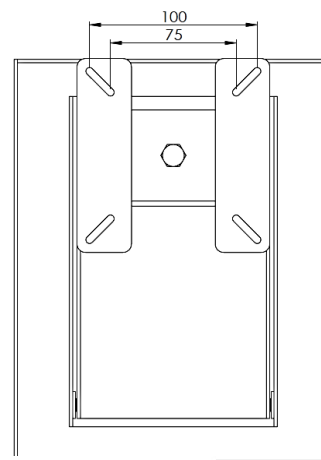


Optional Accessories (Desktop Stand)

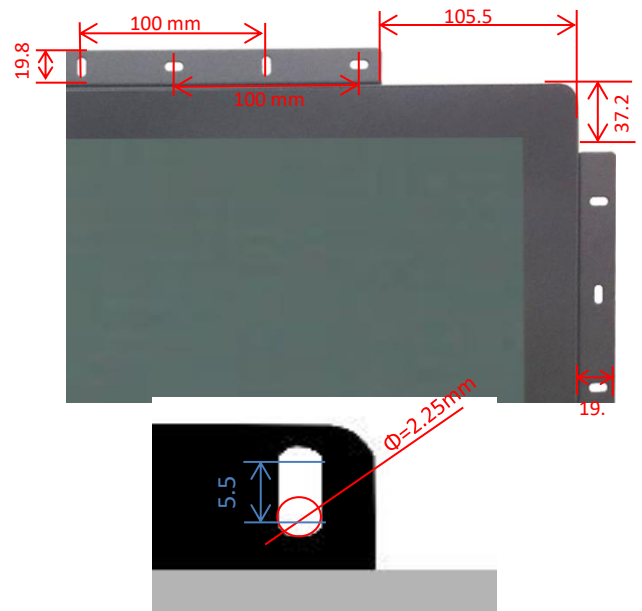
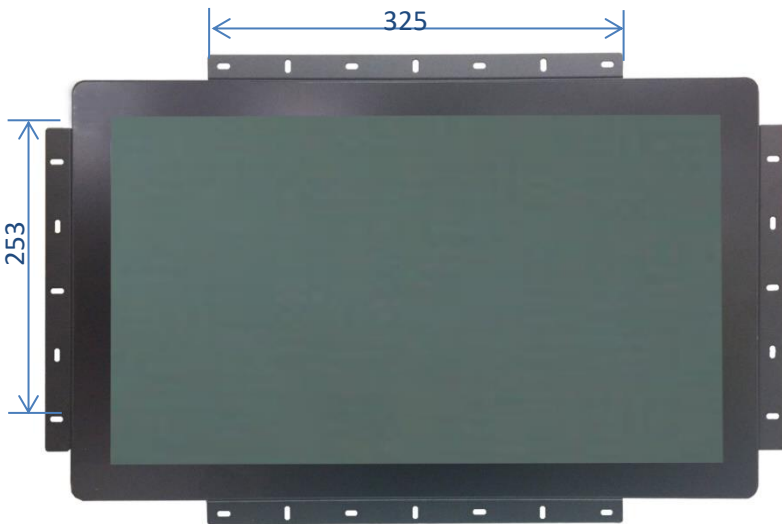
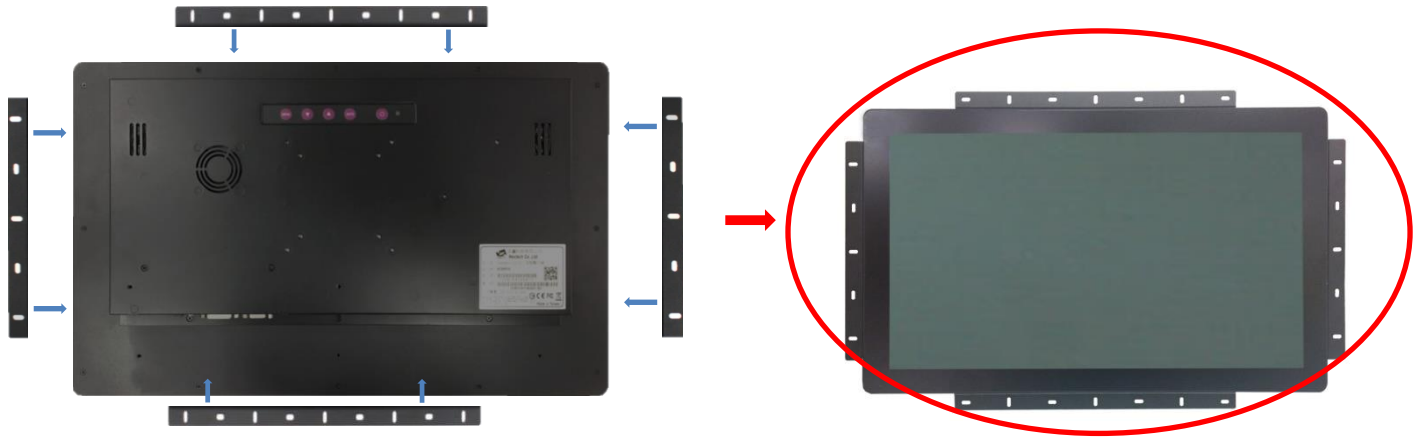
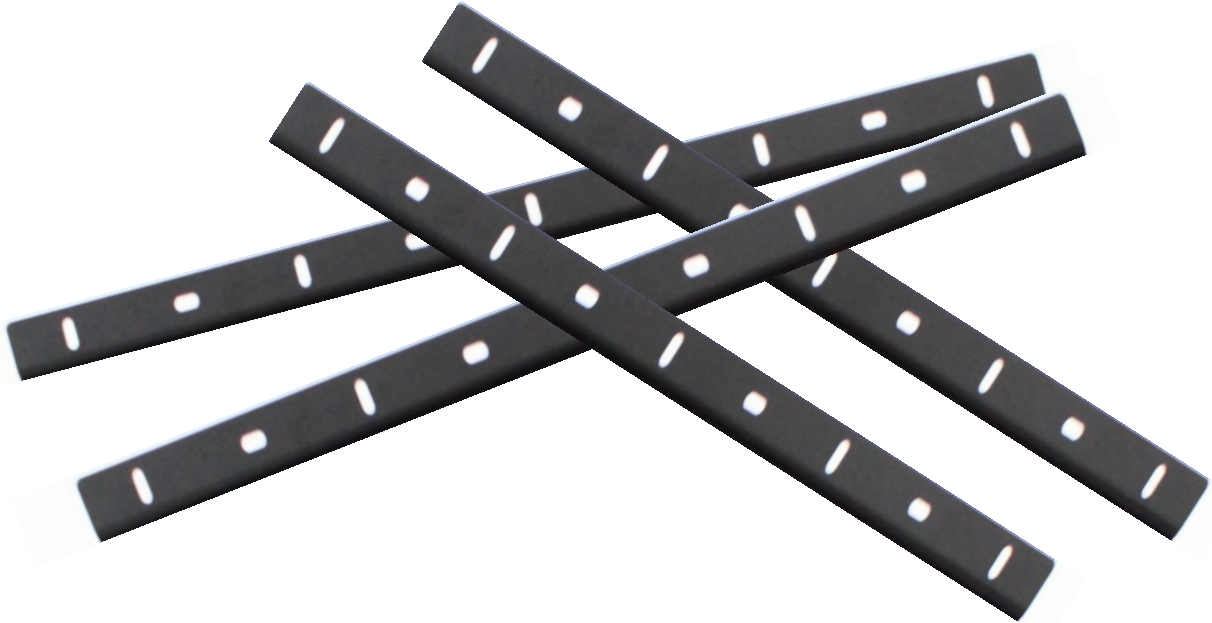
Item	B Stand	Part No.	P1SS0 / P1SS0-02
Mounting Pattern	100x100 / 75x75 mm	Dimension (WxHxD)	203x275x227 mm
Material	Steel/Plastic/Aluminum	Net Weight	1.8 KG
Tile(Hinge)	-2° ~ +180°	Support Max. Weight	15 KG



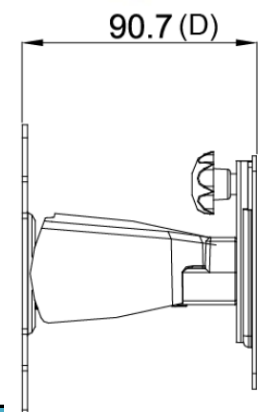
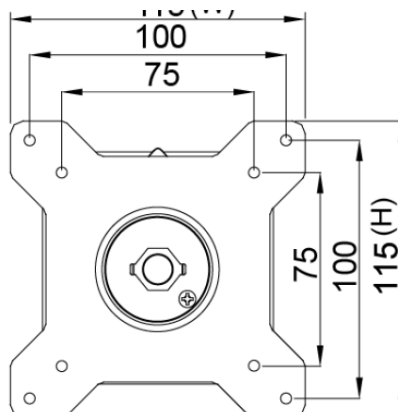
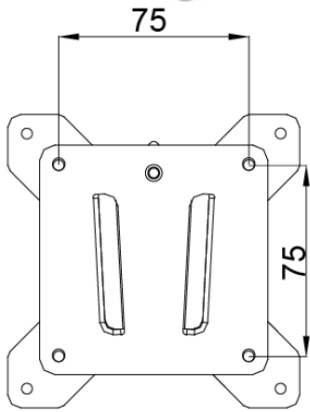
Item	Z Stand	Part No.	P1SZ2
Mounting Pattern	100x100 / 75x75 mm	Dimension (WxHxD)	190x240x41.6
Material	SECC	Net Weight	2.6 KG
Tile(Hinge)	±360°	Support Max. Weight	15 KG



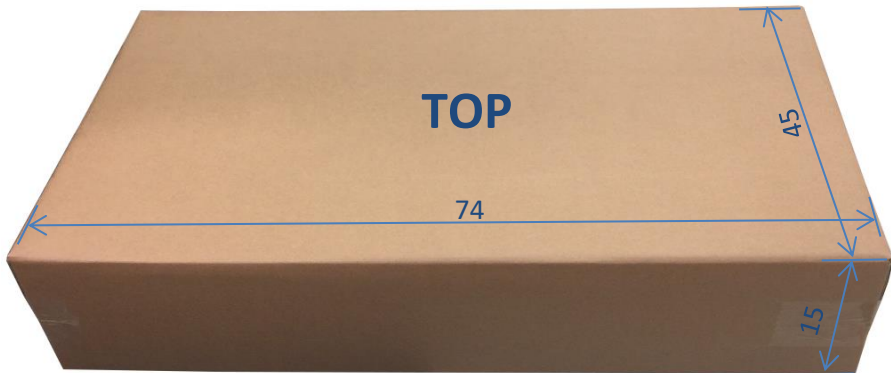
Optional Accessories (Open-frame Brackets)



Optional Accessories (Wall Mount Bracket)



Packing information



Net Weight	≤ 6.29 KG
Gross Weight	≤ 9.08 KG
Q'ty per Pallet	27 units
Pallet Size	120x100x15 CM
Total Size	120x100x150 CM
Total Weight	265.16 KG

Optional Accessories (Desktop Stand or Arm)



- 273x180x265 mm
 - 1.07 KG
 - Support 12 KG



- 620x556x123 mm
 - 3 KG
 - Support 10 KG



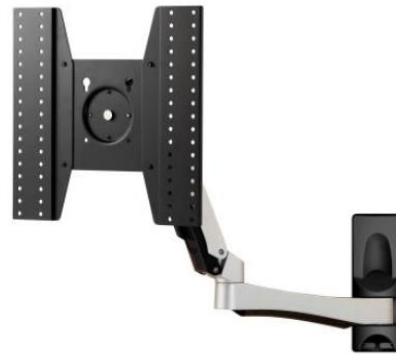
- 250x192x445 mm
 - 1.4 KG
 - Support 12 KG



- 655x858.5x563 mm
 - 7.56 KG
 - Support 30 KG



- 158x403x144 mm
 - 2.12 KG
 - Support 12 KG



- 646x861x953.5 mm
 - 8.57 KG
 - Support 30 KG



- 423x403x240 mm
 - 1.91 KG
 - Support 12 KG



- 1300x403x307 mm
 - 5.3 KG
 - Support 8 KG



- 715x393x144 mm
 - 3.68 KG
 - Support 12 KG

