



# Product Specifications

<b>Customer</b>	
<b>Model Name</b>	<b>NTWP215-1 V500</b>
<b>Model Number</b>	<b>NTWP215<u>XX4XX</u>-GP<u>XXXXXX</u>-<u>XXFX</u>-500</b>

\* X = A~Z, 0~9 (Depends on Options.)



Records of Revision			
Vision	Modifying	Old Description	New Description
v2107.1	Preliminary Specification		

## Features

- ★ 21.5" 1920x1080 (FHD) Resolution
- ★ VA Wide Viewing Angle Technology (178°/178°)
- ★ Intel® Skylake/ Kaby Lake CPU
- ★ DDR4 8G RAM (Max. 16G)
- ★ M.2 x1, Serial ATAIIIx2, mSATA/mPCIe x1
- ★ Narrow Bezel, True Flat Projected Capacitive Touch Screen
- ★ 10 points Multi-touch , Supports Active Stylus
- ★ Metal Cabinet with Diverse Combine Options
- ★ Made in Taiwan, 3 Years Warranty
- ★ Optional High Brightness 1500nits, for Outdoor Environment
- ★ Optional Antibacterial/Anti-Glare/AR/AF/AS Surface Treatment



Desktop Stand



Side Brackets



Wall Mounting



PSE



BSMI



FCC



CE



RoHS



ISO9001



## System Specifications

CPU	Intel® Skylake, Kaby Lake Celeron/Core I series CPU
Memory	DDR4 SO-DIMM x2, Max. 16G
Storage	M.2 x1, mSATA/mPCIe x1, SATA x2
GPU	Intel® HD Graphics
Sound Chip	Realtek ALC255 Audio CODEC
Network	Intel Gigabit LAN, RJ45 ports x2

## Display Specifications

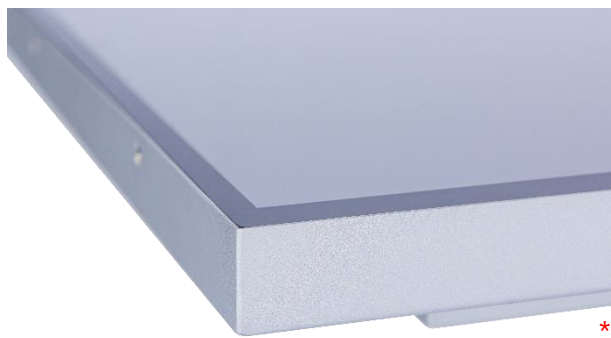
Screen Diagonal	21.5 inch	Display Mode	MNT Mode, Normally Black
Display Area	476.0x267.7 mm	Backlight Unit	LED (white LED)
Resolution	1920x1080 (FHD)	Viewing Angle (L/R, U/D)	178°/178° (CR=10)
Contrast Ratio	1000:1	Backlight Lifetime	>50,000 Hours
Display Ratio	16:9	Operating Temp.	0~50°C
Support Colors	16.7M Colors	Storage Temp.	-20~60°C
Pixel Pitch	247.95x247.95 um	Surface Treatment	Anti-glare, Hardness 3H
Response Time	22 msec.		

## Display Options

Brightness			
	Brightness	Environment	Model Name
Standard	250nits	General	NTWP215NX4XX-GPXXXXX-XXFX-500
Option 1	1000nits	Outdoor Environment	NTWP215AX4XX-GPXXXXX-XXFX-500
Option 2	1500nits	Sunlight Readable	NTWP215FX4XX-GPXXXXX-XXFX-500

## Touch Options

Projected Capacitive			
Model Name	NTWP215 <u>X</u> <u>P</u> <u>4</u> <u>XX</u> -GPXXXXX- <u>XX</u> <u>F</u> <u>X</u> -500		
Touch Technology	Projected Capacitive	Thickness of Cover Lens	2.9±0.2mm
Allowed Touch Points	10 points	Hardness of Cover Lens	7H
Transparency	≥87%	IK Ratings	IK07
Accuracy	99.00%		



\* True Flat, 1mm Bezel

Non-Touch	
Model Name	NTWP215 <u>X</u> <u>0</u> <u>4</u> <u>XX</u> -GPXXXXX- <u>XX</u> <u>F</u> <u>X</u> -500

Surface Treatment Options		
	Description	Model Name
<b>Standard</b>	<b>(none)</b>	<b>NTWP215<u>X</u><u>X</u><u>S</u><u>4</u><u>0</u><u>0</u>-GPXXXXX-<u>XX</u><u>F</u><u>X</u>-500</b>
Option	Anti-Glare Coating	NTWP215 <u>X</u> <u>X</u> <u>4</u> <u>GG</u> -GPXXXXX- <u>XX</u> <u>F</u> <u>X</u> -500
Option	Antibacterial (AB Film)	NTWP215 <u>X</u> <u>X</u> <u>4</u> <u>AB</u> -GPXXXXX- <u>XX</u> <u>F</u> <u>X</u> -500
Option	Anti-Glare +UV-Cut (AG+UV Film)	NTWP215 <u>X</u> <u>X</u> <u>4</u> <u>GU</u> -GPXXXXX- <u>XX</u> <u>F</u> <u>X</u> -500
Option	Anti-Glare +Fouling/Fingerprint (AG+AFP Film)	NTWP215 <u>X</u> <u>X</u> <u>4</u> <u>GP</u> -GPXXXXX- <u>XX</u> <u>F</u> <u>X</u> -500
Option	Anti-Reflective +Fouling/Fingerprint (AR+AFP Film)	NTWP215 <u>X</u> <u>X</u> <u>4</u> <u>RP</u> -GPXXXXX- <u>XX</u> <u>F</u> <u>X</u> -500
Option	Anti-Glare +Reflective +Fouling/Fingerprint (AG+AR+AFP Film)	NTWP215 <u>X</u> <u>X</u> <u>4</u> <u>GR</u> -GPXXXXX- <u>XX</u> <u>F</u> <u>X</u> -500
Option	Anti-Spy (AS Film)	NTWP215 <u>X</u> <u>X</u> <u>4</u> <u>SF</u> -GPXXXXX- <u>XX</u> <u>F</u> <u>X</u> -500



### System Options

CPU		
	Item	Model Name
<b>Standard</b>	<b>Intel® Core i3-7100U</b>	<b>NTWP215XX4XX-GP<u>31</u>XXX-XXFX-500</b>
Option 1	Intel® Core i5-7300U	NTWP215XX4XX-GP <u>53</u> XXX-XXFX-500
Option 2	Intel® Core i7-7600U	NTWP215XX4XX-GP <u>71</u> XXX-XXFX-500

Memory		
	Item	Model Name
<b>Standard</b>	<b>DDR4 SO-DIMM 8G</b>	<b>NTWP215XX4XX-GPXX<u>8</u>XX-XXFX-500</b>
Option	DDR4 SO-DIMM 16G	NTWP215XX4XX-GPXX <u>A</u> XX-XXFX-500

Storage		
	Item	Model Name
<b>Standard</b>	<b>SSD 128G</b>	<b>NTWP215XX4XX-GPXXX<u>S1</u>-XXFX-500</b>
Option 1	SSD 256G	NTWP215XX4XX-GPXXX <u>S2</u> -XXFX-500
Option 2	SSD 512G	NTWP215XX4XX-GPXXX <u>H5</u> -XXFX-500
Option 3	SATA HDD 1T	NTWP215XX4XX-GPXXX <u>H1</u> -XXFX-500

**System Options (Continued)**

Material of Cabinet		
	Description	Model Name
<b>Standard</b>	<b>SECC</b>	<b>NTWP215XX4XX-GPXXXXX-<u>S</u>XFX-500</b>
Option 1	Stainless Steel	NTWP215XX4XX-GPXXXXX- <u>L</u> XFX-500
Option 2	Aluminum	NTWP215XX4XX-GPXXXXX- <u>A</u> XFX-500

Color of Cabinet		
	Description	Model Name
<b>Standard</b>	<b>Silver</b>	<b>NTWP215XX4XX-GPXXXXX-<u>X</u>SFX-500</b>
Option 1	White	NTWP215XX4XX-GPXXXXX- <u>X</u> WFX-500
Option 2	Black	NTWP215XX4XX-GPXXXXX- <u>X</u> BFX-500
Options	Other Color	NTWP215XX4XX-GPXXXXX- <u>X</u> XFX-500

\* X = A~Z, 0~9 (Depends on Color)

Power Input		
	Description	Model Name
<b>Standard</b>	<b>9~24DC-in(2.1φ), with 12V Adapter</b>	<b>NTWP215XX4XX-GPXXXXX-<u>XX</u>F<u>3</u>-500</b>
Option	100~240V AC, C14 AC Power Socket	NTWP215XX4XX-GPXXXXX- <u>XX</u> F <u>A</u> -500

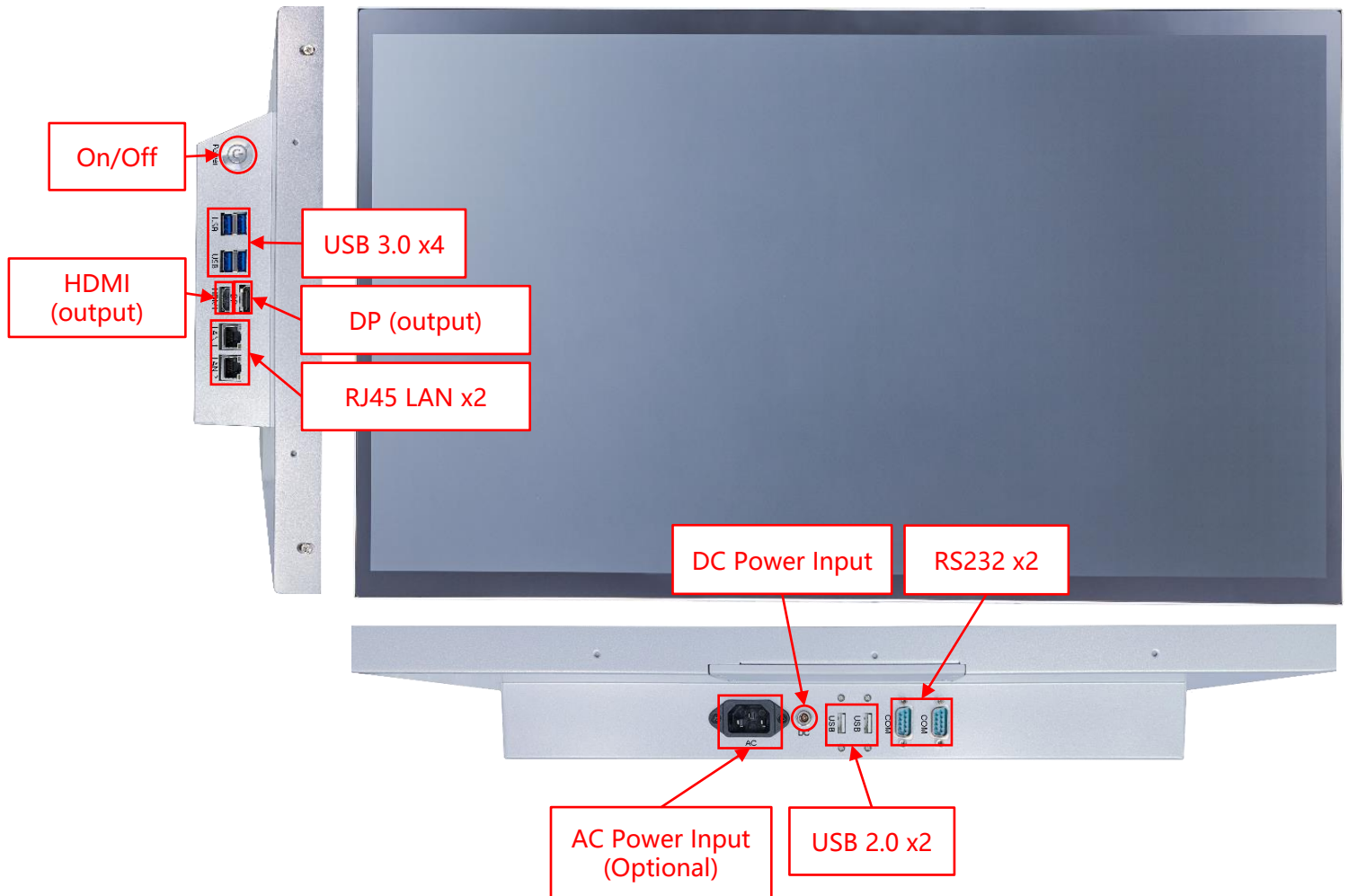


DC-in, Locking Jack

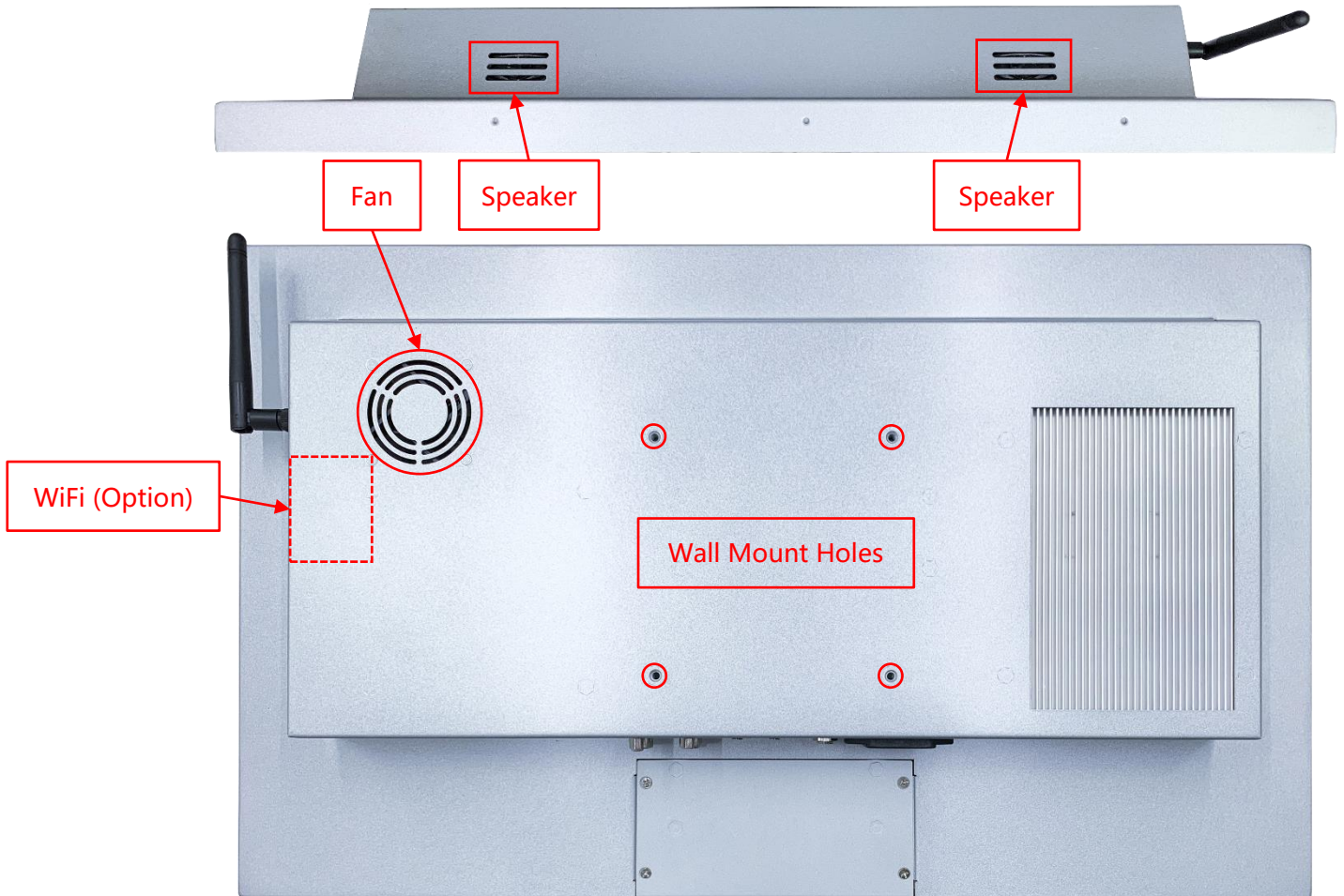


AC-in, C14 Plug

## Input /Output System



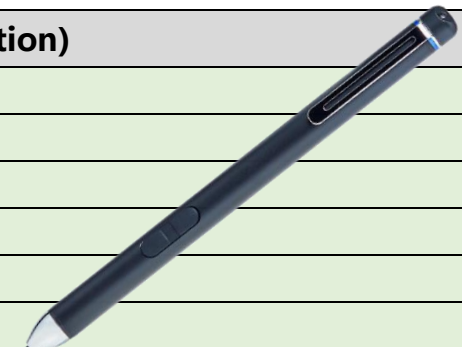
Input / Output	Connectors	Input / Output	Connectors
HDMI (Output)	1	USB 3.0	4
DP (Output)	1	USB 2.0	2
DC Power Input	1	RS232	2
AC Power Input	Option	LAN (RJ45)	2
Speakers	2W x2	Wi-Fi/Bluetooth & Antenna	Option



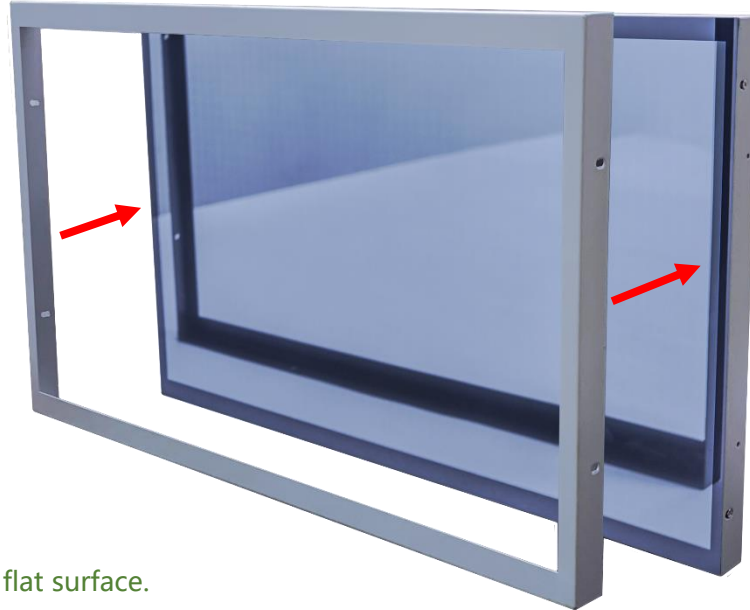
### Other Options

<b>Wireless Network (Option)</b>	
Spec	Wi-Fi a/b/g/n/ac, Dual Mode Bluetooth 2.1/2.1+EDR,3.0,3.0+HS,4.0 (BLE) (Wi-Fi+BT4.0)

<b>Active Stylus (Option)</b>	
Technology	Active Capacitive Coupled
Working Frequencies	90~250 KHZ
Pressure Level	256~1024 Levels
Side Buttons	2 Side Buttons (Eraser, Barrel)
Active Tip Force	5~25g
Max. Tip Force	400g



## Front Cover (Option)



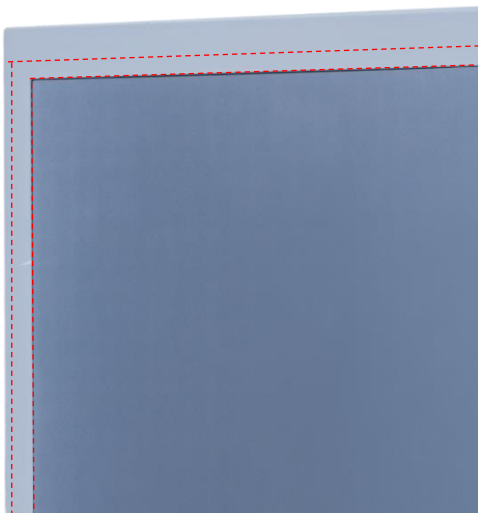
The standard **NTWP215** is true flat surface.

To protect the corners of the touch screen, the Front Cover can be added.

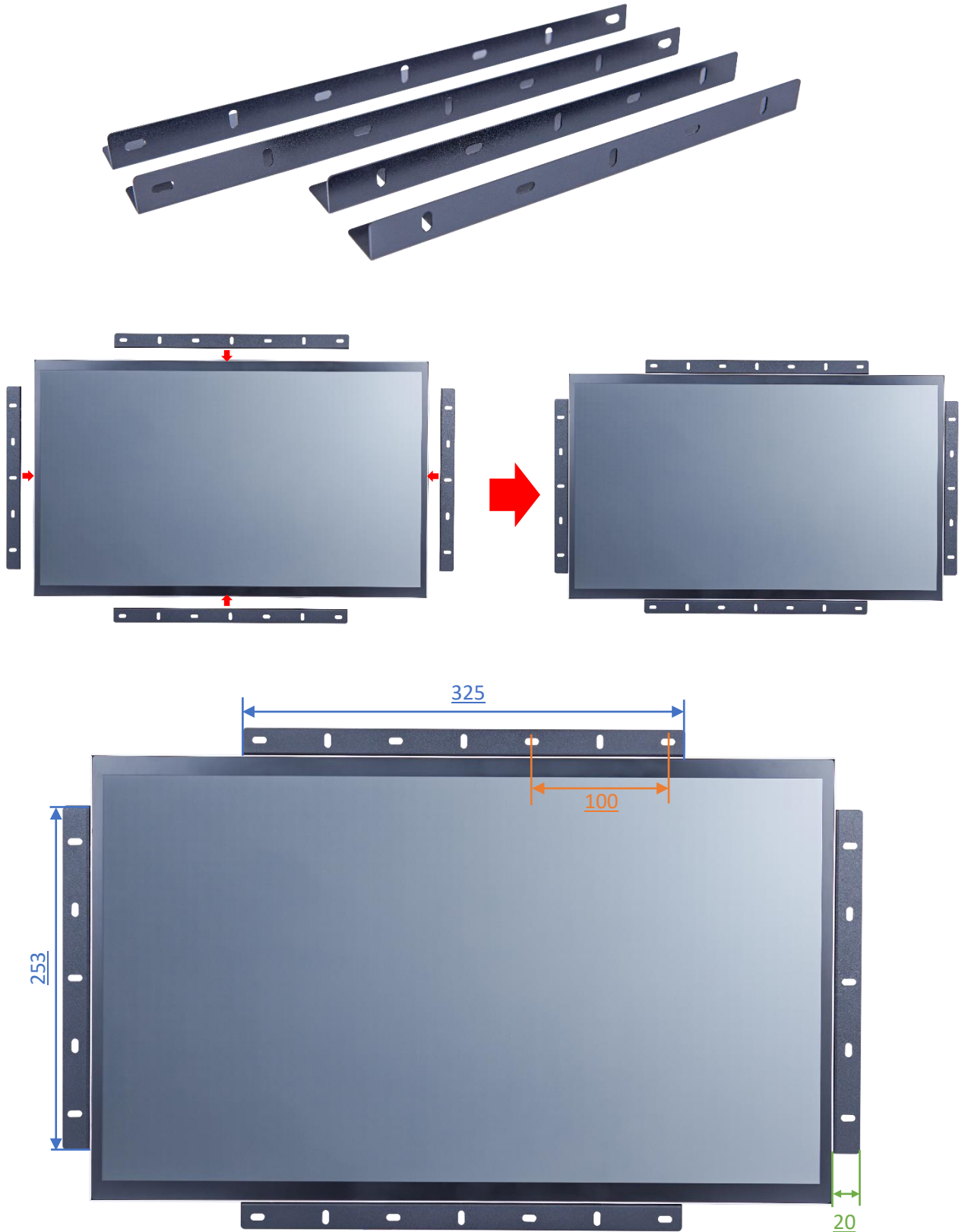


The watertight gasket can be added between the Front Cover and **NTWP215**.

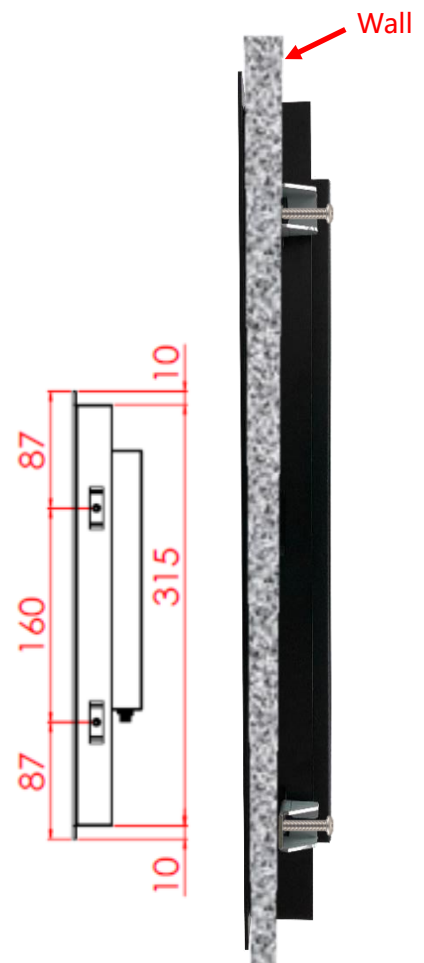
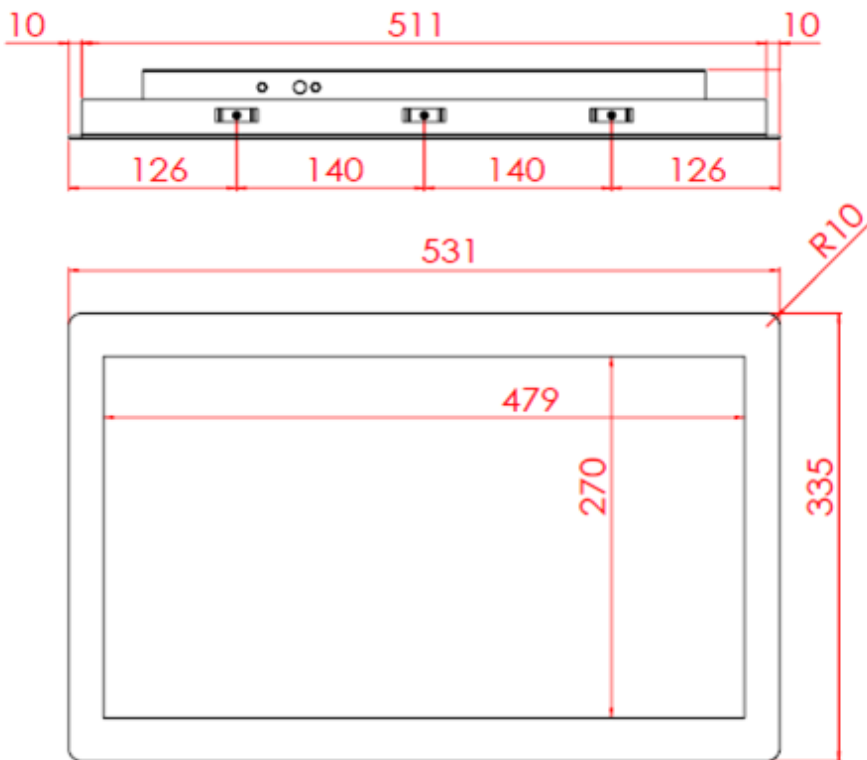
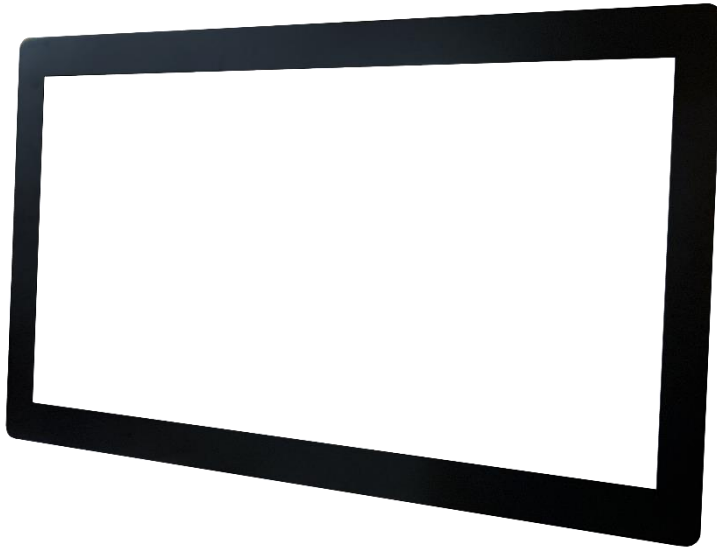
It complies **IP65** on front.

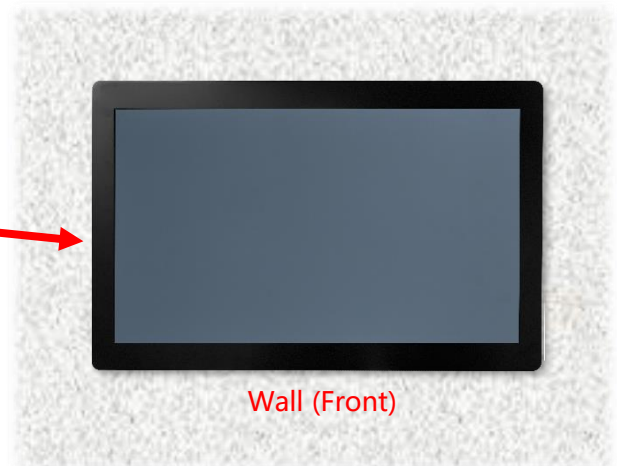
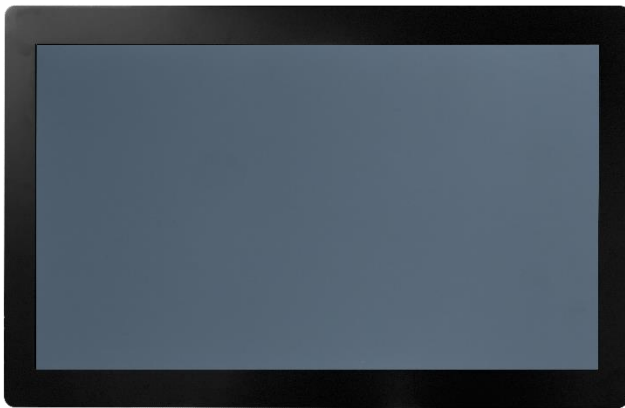
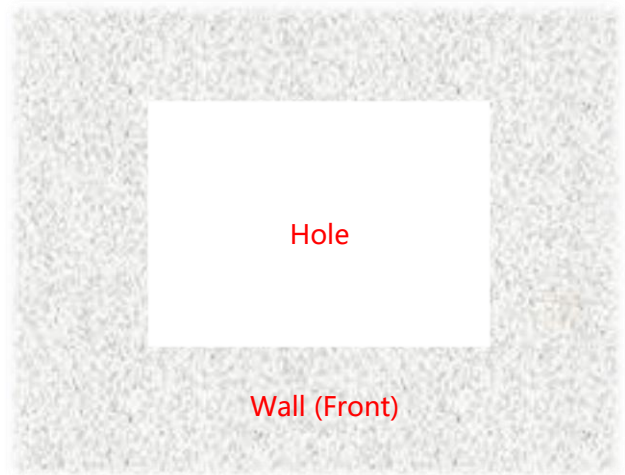


## Open-frame Brackets (Option)



### Panel Mount Kits (Option)





### Desktop Stand (Option)

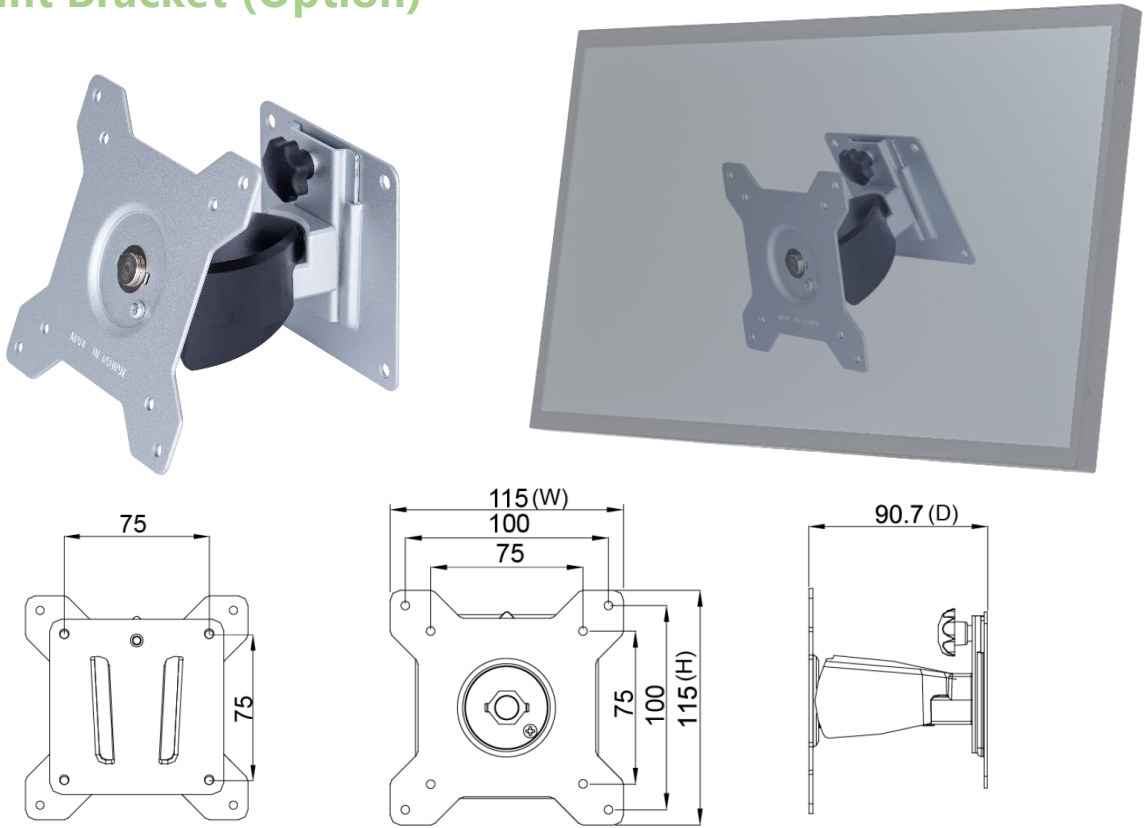
Item	B Stand	Part No.	DST-0B002/DST-1B002
Mounting Pattern	100x100 / 75x75 mm	Dimension (WxHxD)	203x275x227 mm
Material	Steel/Plastic/Aluminum	Net Weight	1.8 KG
Tilt (Hinge)	-2° ~ +180°	Support Max. Weight	15 KG



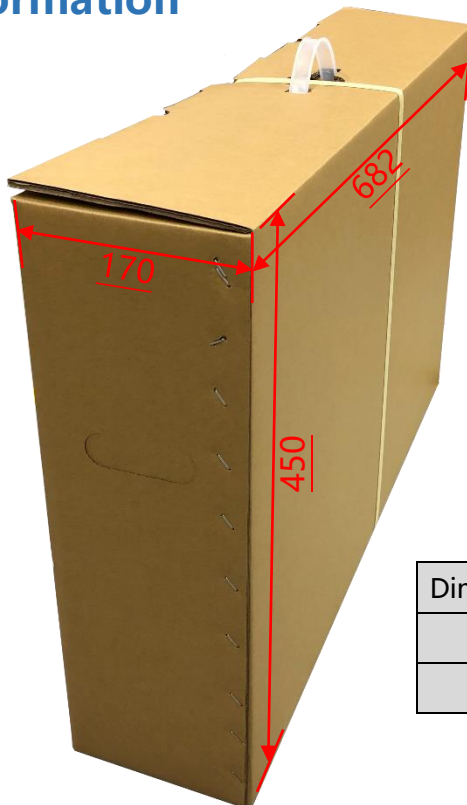
Item	Z Stand	Part No.	DST-0BZ01/DST-1BZ01
Mounting Pattern	100x100 / 75x75 mm	Dimension (WxHxD)	190x240x41.6
Material	SECC	Net Weight	2.6 KG
Tilt (Hinge)	±360°	Support Max. Weight	15 KG



## Wall Mount Bracket (Option)



## Packing Information

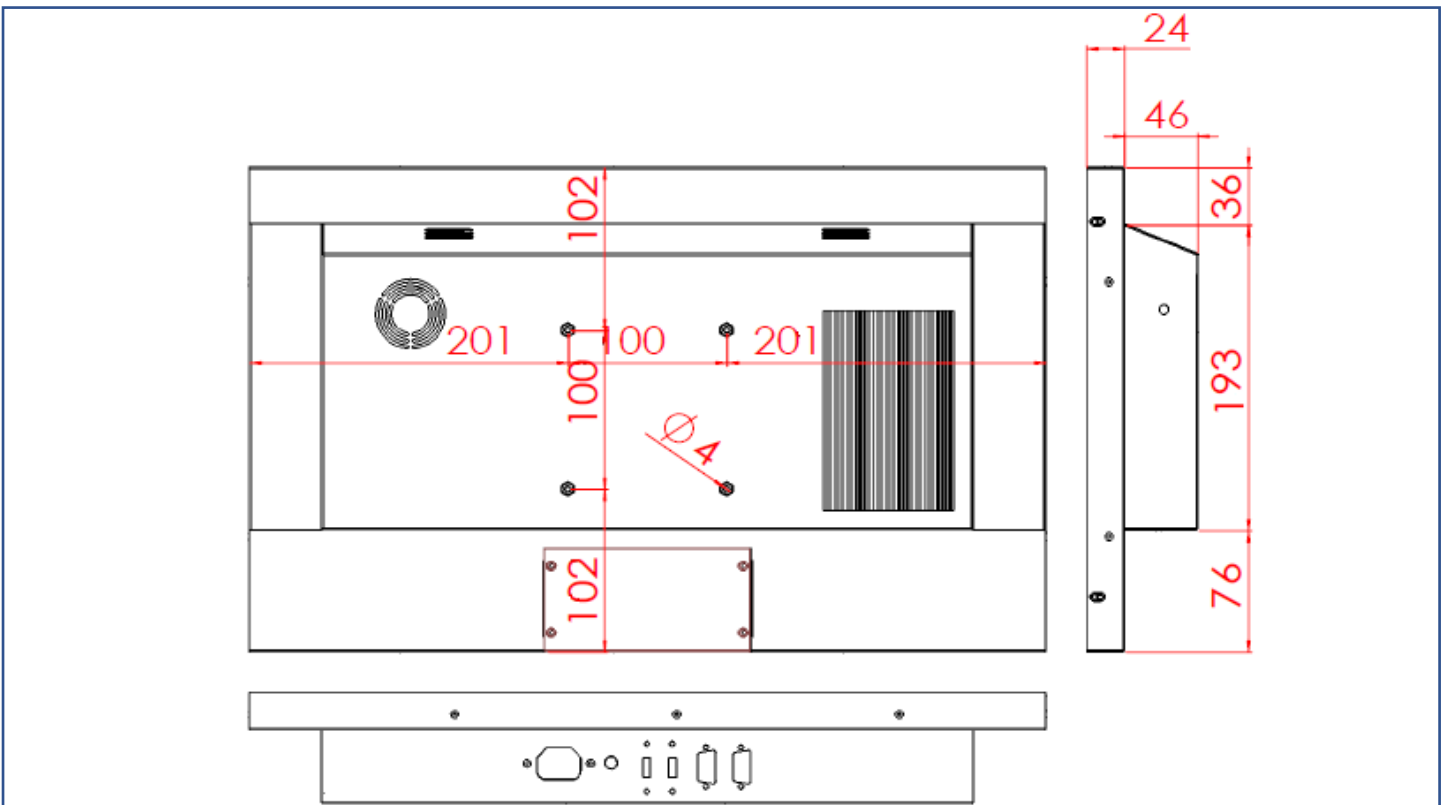
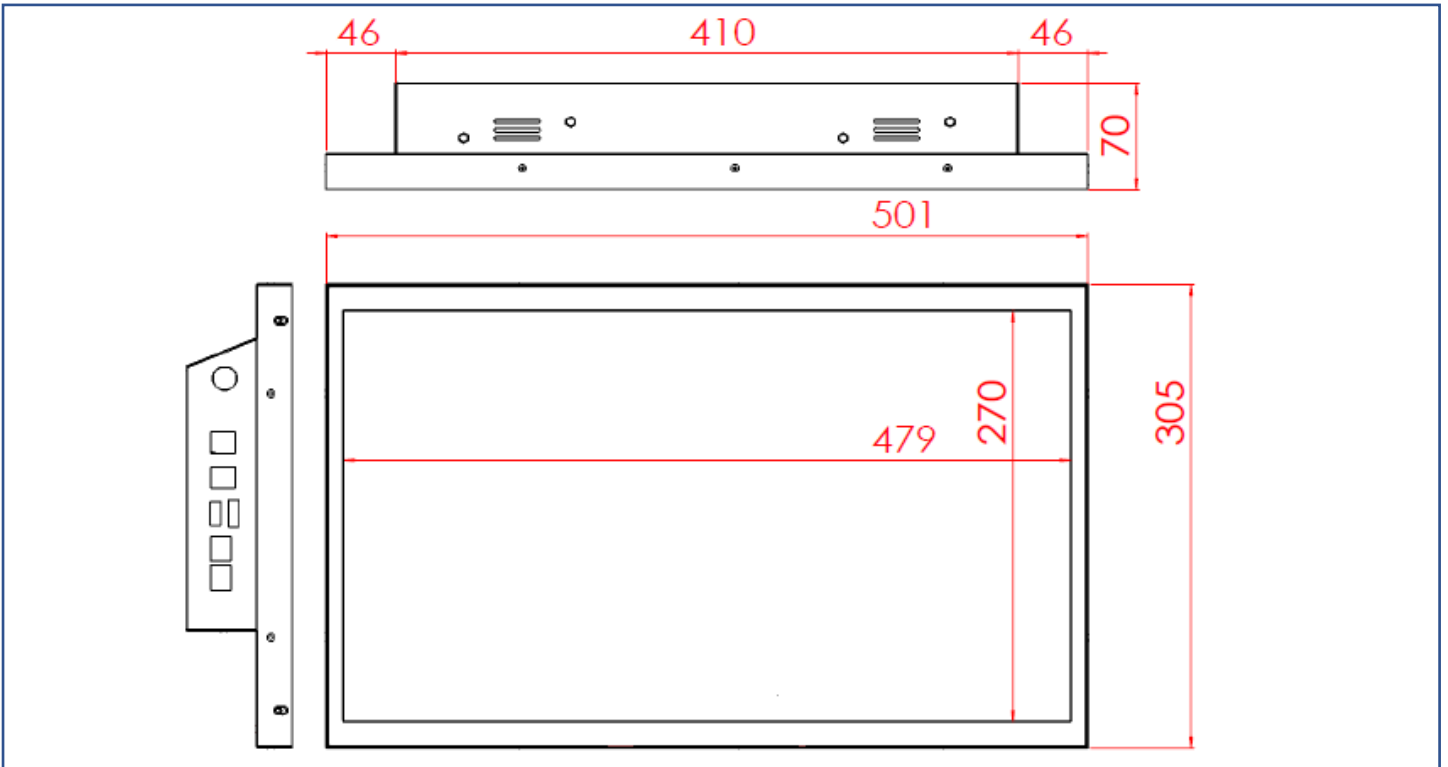


Dimensions of Carton	<b>682x170x450 mm</b>
Net Weight	<b>≤5.5 KG</b>
Gross Weight	<b>≤7.5 KG</b>



## Physical Specifications

Dimension	501x305x70(±2)mm (w/o Antenna)	Net Weight	≤5.5 KG
VESA Mounting	100x100 mm	Gross Weight	≤7.5 KG



## Cosmetic Inspection Standard

Display Area Allowance			
Defect description	Defective Specifications	Allowance	Remarks
Dot Defect (including dark dot, particles, bubbles, pits, dust, foreign matter)	$D \leq 0.2\text{mm}$	Ignored	D=Diameter
	$0.2 < D \leq 0.7\text{mm}$	$N \leq 5$	N=Quantity
	$0.7 < D \leq 1\text{mm}$	$N \leq 3$	
	$D > 1\text{mm}$	$N \leq 0$	
Linear Defect (including scratches, fluff, particles)	$W \leq 0.15\text{mm}$	Ignored	W=Width
	$0.15 < W \leq 0.5\text{mm}, L \leq 15\text{mm}$	$N \leq 2$	L=Length
	$W > 0.5\text{mm}$ or $L > 15\text{mm}$	NG	

\* Visual inspection distance: 60cm, 90 degree (same for front/side/back)

Front Appearance Allowance (Including Coating)			
Defect description	Defective Specifications	Allowance	Remarks
Dot Defect (including particles, bubbles, pits...etc.)	$D \leq 0.7\text{mm}$	Ignored	D=Diameter
	$0.7 < D \leq 1.5\text{mm}$	$N \leq 3$	N=Quantity
	$D > 1.5\text{mm}$	$N \leq 0$	
Linear Defect (including scratches, fluff, particles)	$W \leq 0.2\text{mm}, L \leq 15\text{mm}$	Ignored	W=Width, L=Length
	$0.2 < W \leq 0.7\text{mm}, L \leq 15\text{mm}$	$N \leq 1$	
	$W > 0.7\text{mm}$ or $L > 15\text{mm}$	NG	

Side / Back Appearance Allowance (Including Coating)			
Defect description	Defective Specifications	Allowance	Remarks
Dot Defect (including particles, bubbles, pits...etc.)	$D \leq 1.5\text{mm}$	Ignored	D=Diameter
	$1.5 < D \leq 3\text{mm}$	$N \leq 8$	N=Quantity
	$D > 3\text{mm}$	$N \leq 2$	
Linear Defect (including scratches, fluff, particles)	$W \leq 0.8\text{mm}, L \leq 15\text{mm}$	Ignored	W=Width, L=Length
	$0.8 < W \leq 1.5\text{mm}, L \leq 15\text{mm}$	$N \leq 5$	
	$W > 1.5\text{mm}$ or $L > 15\text{mm}$	NG	



Display Area  
(Red Area)



Front Appearance (Red Area)



Back Appearance