

Product Specifications

Customer	
Model Name	NTWP240 V500
Model Number	NTWP240<u>XXSXX</u>-J6<u>XXXXXX</u>-<u>XXFX</u>-500

* X = A~Z, 0~9 (Depends on Options.)



Records of Revision			
Vision	Modifying	Old Description	New Description
v1908.3	Preliminary Specification		
v1908.4	Revise Model Number of Surface Film		
v1908.5	Revise Option of CPU		
v1908.6	Replace the Wall Mount		
v1908.7	1. Defining the Standards for Surface 2. Format Updated		

Features

- ★ 24" 1920x1080 (FHD) Resolution
- ★ Intel® Skylake/ Kaby Lake CPU
- ★ DDR4 8G RAM (Max. 32G)
- ★ Serial ATAIIIx1, mSATA/mPCIe x1
- ★ True Flat Projected Capacitive Touch Screen
- ★ 7H Hardness Tempered Cover Glass
- ★ 10 points Multi-touch , Supports Active Stylus
- ★ Metal Cabinet with Diverse Combine Options
- ★ Made in Taiwan, 3 Years Warranty
- ★ Optional High Brightness 1500nits, for Outdoor Environment
- ★ Optional Antibacterial/Anti-Glare/AR/AF/AS Surface Treatment



Desktop Stand



Side Brackets



Wall Mounting



PSE



BSMI



FCC



CE



RoHS



ISO9001



System Specifications

CPU	Intel® Skylake, Kaby Lake Celeron/Core I series CPU
Memory	DDR4 SO-DIMM x2, Max. 32G
Storage	SATA x1, mSATA/mPCIe x1
GPU	Intel® HD Graphics
Sound Chip	Realtek ALC662 Audio CODEC
Network	Intel Gigabit LAN, 2 * RJ45 ports

Display Specifications

Model Name	609.7mm (24.0inch)	Display Mode	TN Type, Normally White
Screen Diagonal	531.36x298.89 mm	Backlight Unit	LED (white LED)
Display Area	1920x1080 (FHD)	Viewing Angle (L/R, U/D)	170°/160° (CR=10)
Resolution	1000:1	Backlight Lifetime	>30,000 Hours
Contrast Ratio	16:9	Operating Temp.	0~50°C
Display Ratio	16.7 M Colors	Storage Temp.	-20~60°C
Support Color	276.75x276.75 um	Surface Treatment	Anti-glare, Hardness 3H
Response Time	5 msec.		

Display Options

Brightness			
	Brightness	Environment	Model Name
Standard	250nits	General	NTWP240NXSXX-J6XXXXX-XXFX-500
Option 1	1000nits	Outdoor Environment	NTWP240AXSXX-J6XXXXX-XXFX-500
Option 2	1500nits	Sunlight Readable	NTWP240FX2XX-J6XXXXX-XXFX-500

* Check the data sheet NTWP240-2 V500

Touch Options

Projected Capacitive			
Model Name	NTWP240 <u>X</u> <u>P</u> <u>S</u> <u>X</u> <u>X</u> -J6 <u>X</u> <u>X</u> <u>X</u> <u>X</u> <u>X</u> - <u>X</u> <u>X</u> <u>F</u> <u>X</u> -500		
Touch Technology	Projected Capacitive	Thickness of Cover Lens	2.9±0.2mm
Allowed Touch Points	10 points	Hardness of Cover Lens	7H
Transparency	≥87%	IK Ratings	IK07
Accuracy	99.00%		



* True Flat, 1mm Bezel

Non-Touch	
Model Name	NTWP240 <u>X</u> <u>0</u> <u>S</u> <u>X</u> <u>X</u> -J6 <u>X</u> <u>X</u> <u>X</u> <u>X</u> <u>X</u> - <u>X</u> <u>X</u> <u>F</u> <u>X</u> -500

Surface Treatment Options		
	Description	Model Name
Standard	(none)	NTWP240<u>X</u><u>X</u><u>S</u><u>0</u><u>0</u>-J6<u>X</u><u>X</u><u>X</u><u>X</u><u>X</u>-<u>X</u><u>X</u><u>F</u><u>X</u>-500
Option	Anti-Glare Coating	NTWP240 <u>X</u> <u>X</u> <u>S</u> <u>AB</u> -J6 <u>X</u> <u>X</u> <u>X</u> <u>X</u> <u>X</u> - <u>X</u> <u>X</u> <u>F</u> <u>X</u> -500
Option	Antibacterial (AB Film)	NTWP240 <u>X</u> <u>X</u> <u>S</u> <u>AB</u> -J6 <u>X</u> <u>X</u> <u>X</u> <u>X</u> <u>X</u> - <u>X</u> <u>X</u> <u>F</u> <u>X</u> -500
Option	Anti-Glare +UV-Cut (AG+UV Film)	NTWP240 <u>X</u> <u>X</u> <u>S</u> <u>GU</u> -J6 <u>X</u> <u>X</u> <u>X</u> <u>X</u> <u>X</u> - <u>X</u> <u>X</u> <u>F</u> <u>X</u> -500
Option	Anti-Glare +Fouling/Fingerprint (AG+AFP Film)	NTWP240 <u>X</u> <u>X</u> <u>S</u> <u>GP</u> -J6 <u>X</u> <u>X</u> <u>X</u> <u>X</u> <u>X</u> - <u>X</u> <u>X</u> <u>F</u> <u>X</u> -500
Option	Anti-Reflective +Fouling/Fingerprint (AR+AFP Film)	NTWP240 <u>X</u> <u>X</u> <u>S</u> <u>RP</u> -J6 <u>X</u> <u>X</u> <u>X</u> <u>X</u> <u>X</u> - <u>X</u> <u>X</u> <u>F</u> <u>X</u> -500
Option	Anti-Glare +Reflective +Fouling/Fingerprint (AG+AR+AFP Film)	NTWP240 <u>X</u> <u>X</u> <u>S</u> <u>GR</u> -J6 <u>X</u> <u>X</u> <u>X</u> <u>X</u> <u>X</u> - <u>X</u> <u>X</u> <u>F</u> <u>X</u> -500
Option	Anti-Spy (AS Film)	NTWP240 <u>X</u> <u>X</u> <u>S</u> <u>SF</u> -J6 <u>X</u> <u>X</u> <u>X</u> <u>X</u> <u>X</u> - <u>X</u> <u>X</u> <u>F</u> <u>X</u> -500



System Options

CPU		
	Item	Model Name
Standard	Intel® Core i3-7100U	NTWP240XXSXX-J631XXX-XXFX-500
Option 1	Intel® Core i5-7300U	NTWP240XXSXX-J6 53 XXX-XXFX-500
Option 2	Intel® Core i7-7600U	NTWP240XXSXX-J6 71 XXX-XXFX-500
Option 3	Intel® Skylake Celeron 3855U	NTWP240XXSXX-J6 C3 XXX-XXFX-500

Memory		
	Item	Model Name
Standard	DDR4 SO-DIMM 8G	NTWP240XXSXX-J6XX8XX-XXFX-500
Option 1	DDR4 SO-DIMM 16G	NTWP240XXSXX-J6XX A XX-XXFX-500
Option 2	DDR4 SO-DIMM 32G	NTWP240XXSXX-J6XX B XX-XXFX-500

Storage		
	Item	Model Name
Standard	SSD 128G	NTWP240XXSXX-J6XXXS1-XXFX-500
Option 1	SSD 256G	NTWP240XXSXX-J6XXX S2 -XXFX-500
Option 2	SSD 512G	NTWP240XXSXX-J6XXX H5 -XXFX-500
Option 3	SATA HDD 1T	NTWP240XXSXX-J6XXX H1 -XXFX-500

System Options (Continued)

Material of Cabinet		
	Description	Model Name
Standard	SECC	NTWP240XXSXX-J6XXXXX-<u>S</u>XF_X-500
Option 1	Stainless Steel	NTWP240XXSXX-J6XXXXX- <u>L</u> XF _X -500
Option 2	Aluminum	NTWP240XXSXX-J6XXXXX- <u>A</u> XF _X -500

Color of Cabinet		
	Description	Model Name
Standard	Silver	NTWP240XXSXX-J6XXXXX-<u>X</u>SF_X-500
Option 1	White	NTWP240XXSXX-J6XXXXX- <u>X</u> WF _X -500
Option 2	Black	NTWP240XXSXX-J6XXXXX- <u>X</u> BF _X -500
Options	Other Color	NTWP240XXSXX-J6XXXXX- <u>X</u> XF _X -500

* X = A~Z, 0~9 (Depends on Color)

Power Input		
	Description	Model Name
Standard	9~24VDC-in, with 12V Adapter	NTWP240XXSXX-J6XXXXX-<u>XXF</u>₃-500
Option	100~240V AC, C14 AC Power Socket	NTWP240XXSXX-J6XXXXX- <u>XXF</u> _A -500

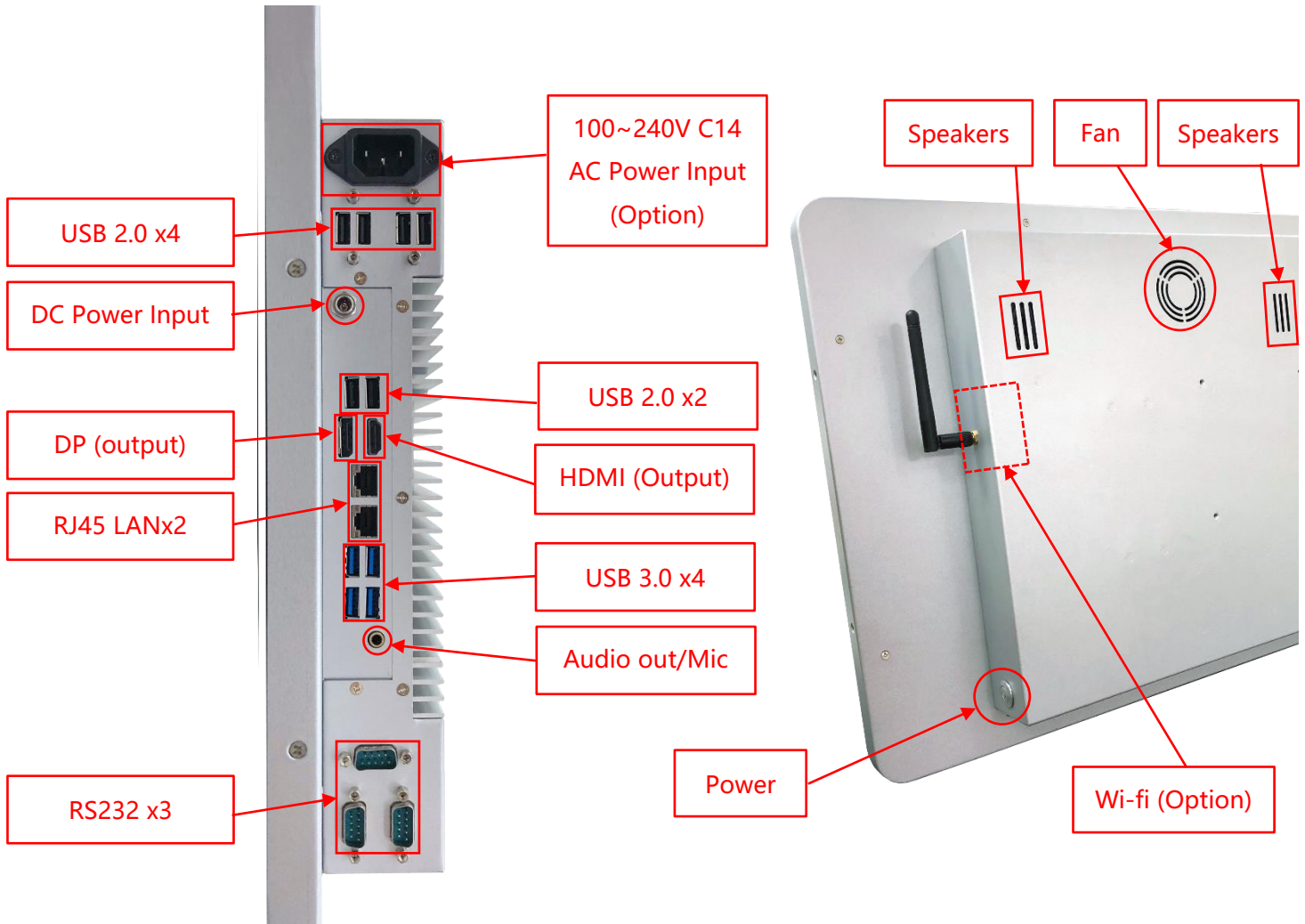


DC-in, Locking Jack



AC-in, C14 Plug

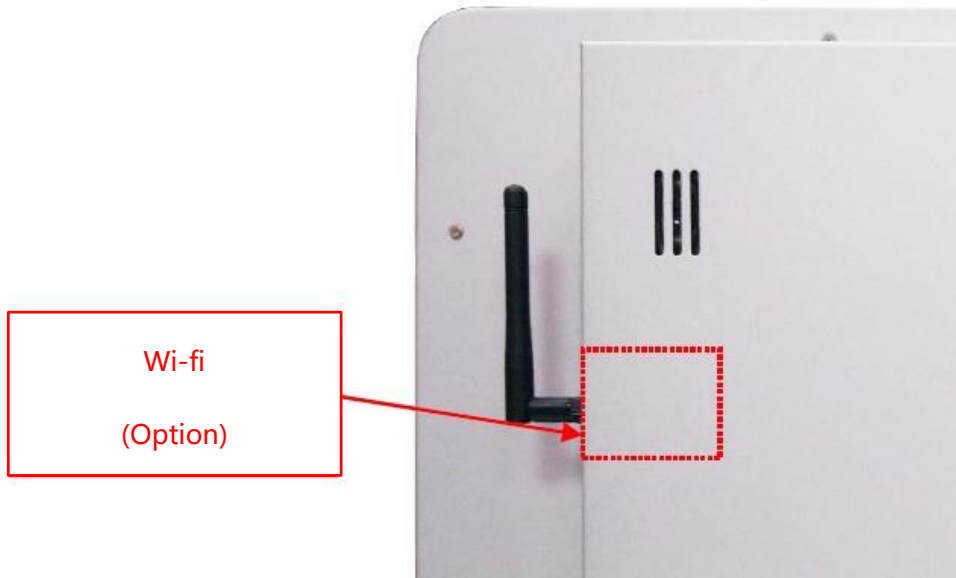
Input /Output System



Input / Output	Connectors	Input / Output	Connectors
HDMI (Output)	1	USB 3.0	4
DP (Output)	1	USB 2.0	6
Audio Output /Mic Input (3.5mm)	1	RS232	3
DC Power Input	1	LAN (RJ45)	2
AC Power Input	Option	Wi-Fi/Bluetooth & Antenna	Option
Speakers	2W x2		

Other Options

Wireless Network (Option)	
Spec	Wi-Fi a/b/g/n/ac, Dual Mode Bluetooth 2.1/2.1+EDR,3.0,3.0+HS,4.0 (BLE) (Wi-Fi+BT4.0)



Active Stylus Option (Option)	
Technology	Active Capacitive Coupled
Working Frequencies	90~250 KHZ
Pressure Level	256~1024 Levels
Side Buttons	2 Side Buttons (Eraser, Barrel)
Active Tip Force	5~25g
Max. Tip Force	400g

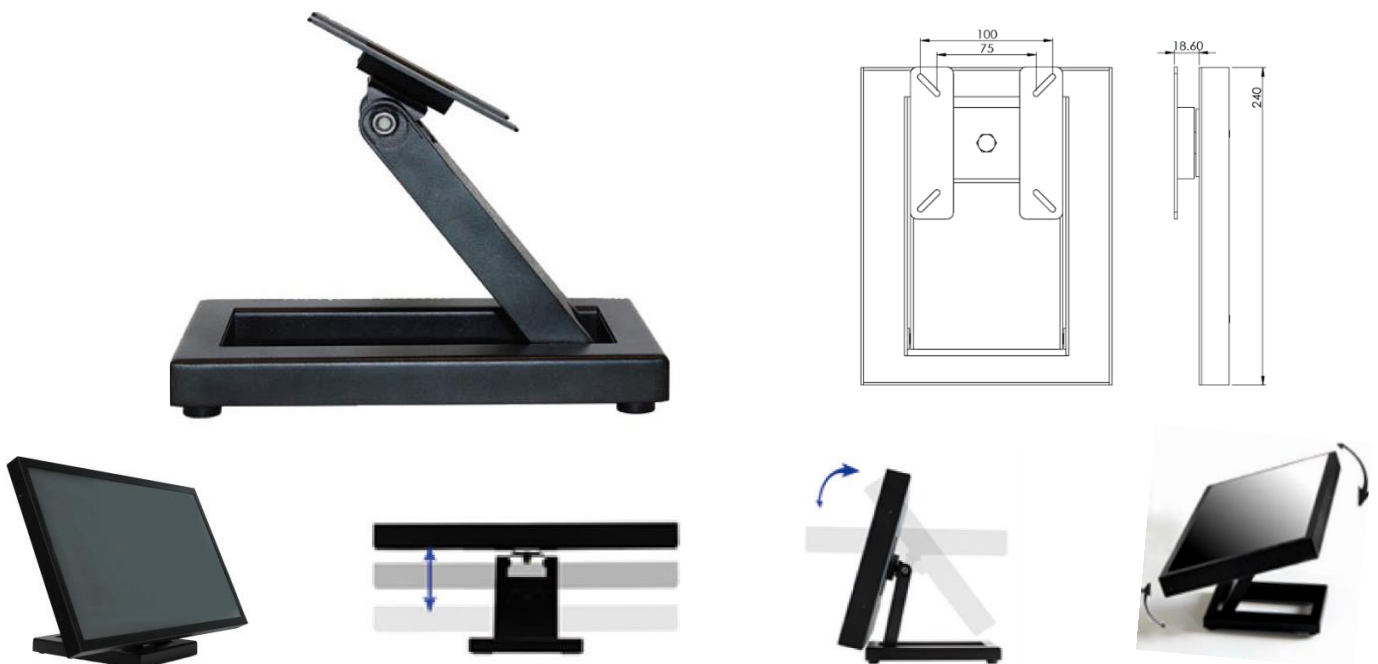


Desktop Stand (Option)

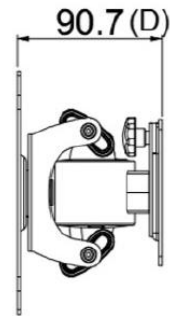
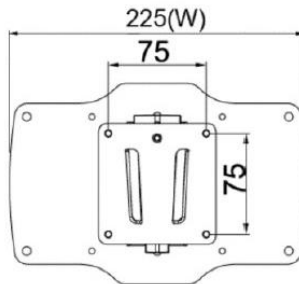
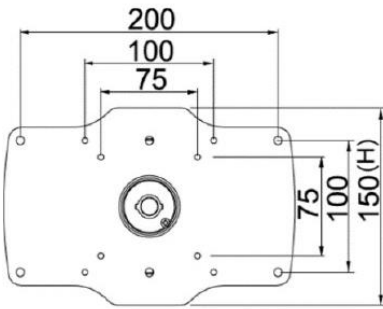
Item	B Stand	Part No.	DST-0B002/DST-1B002
Mounting Pattern	100x100 / 75x75 mm	Dimension (WxHxD)	203x275x227 mm
Material	Steel/Plastic/Aluminum	Net Weight	1.8 KG
Tilt (Hinge)	-2° ~ +180°	Support Max. Weight	15 KG



Item	Z Stand	Part No.	DST-0BZ01/DST-1BZ01
Mounting Pattern	100x100 / 75x75 mm	Dimension (WxHxD)	190x240x41.6
Material	SECC	Net Weight	2.6 KG
Tilt (Hinge)	±360°	Support Max. Weight	15 KG



Wall Mount Bracket (Option)

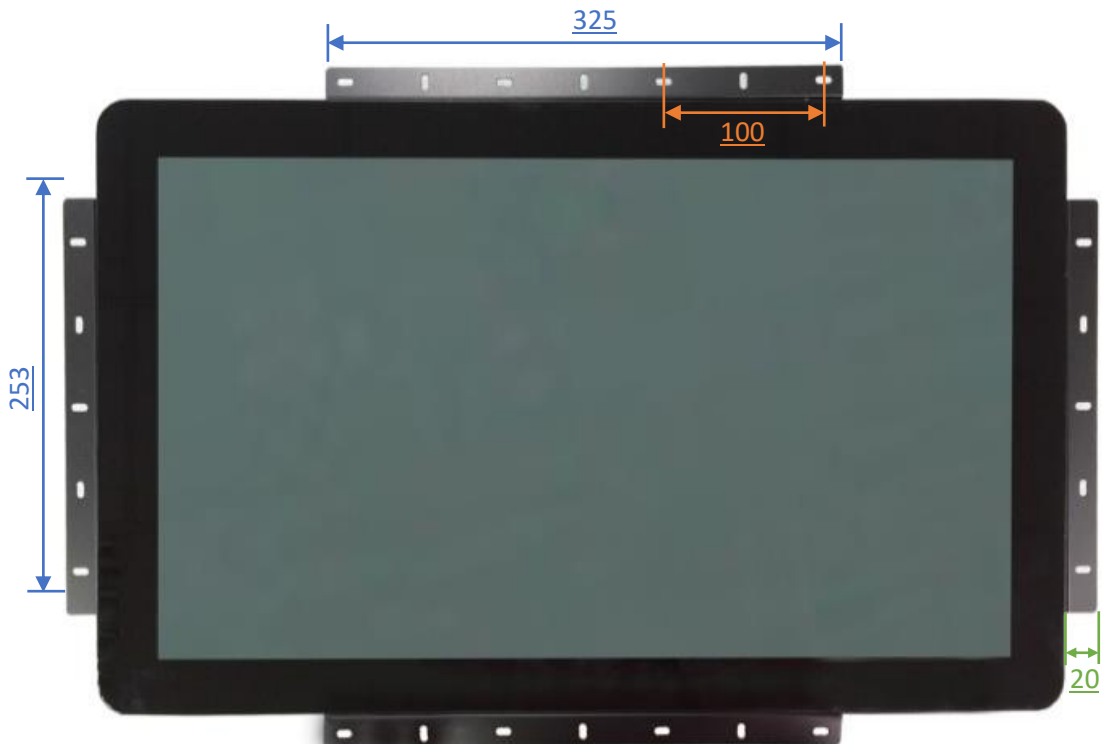
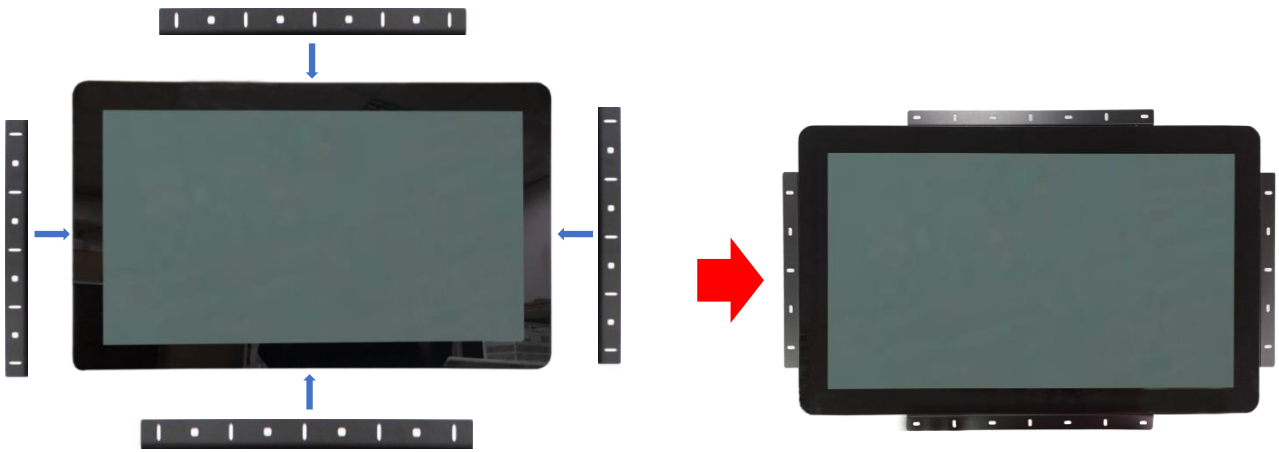


Packing Information

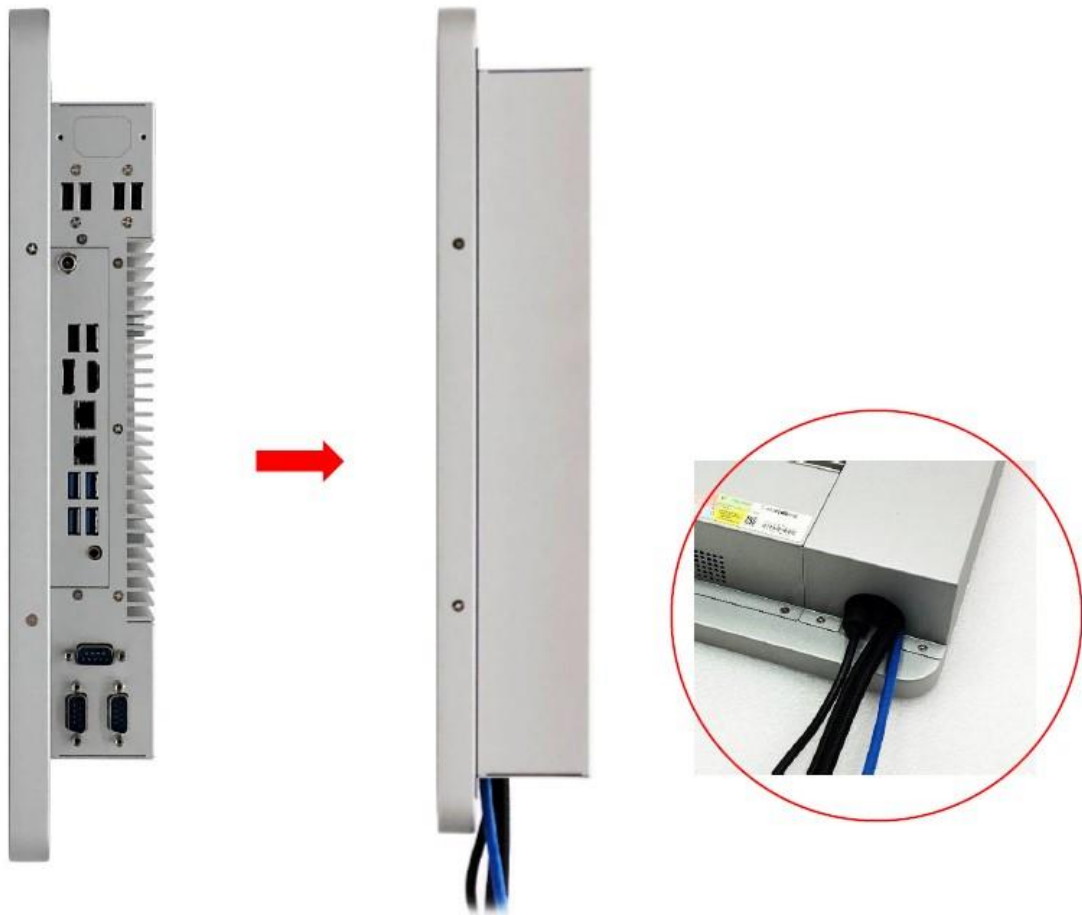


Dimensions of Carton	752x187x518 mm
Net Weight	≤9.5 KG
Gross Weight	≤11.5 KG

Open-frame Brackets (Option)



Connector Protective Cover (Option)



Front Cover (Option)



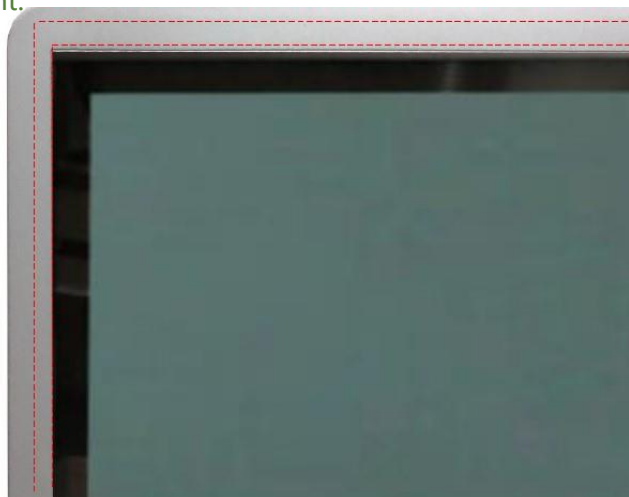
The standard **NTWP240** is true flat surface.

To protect the corners of the touch screen, the Front Cover can be added.



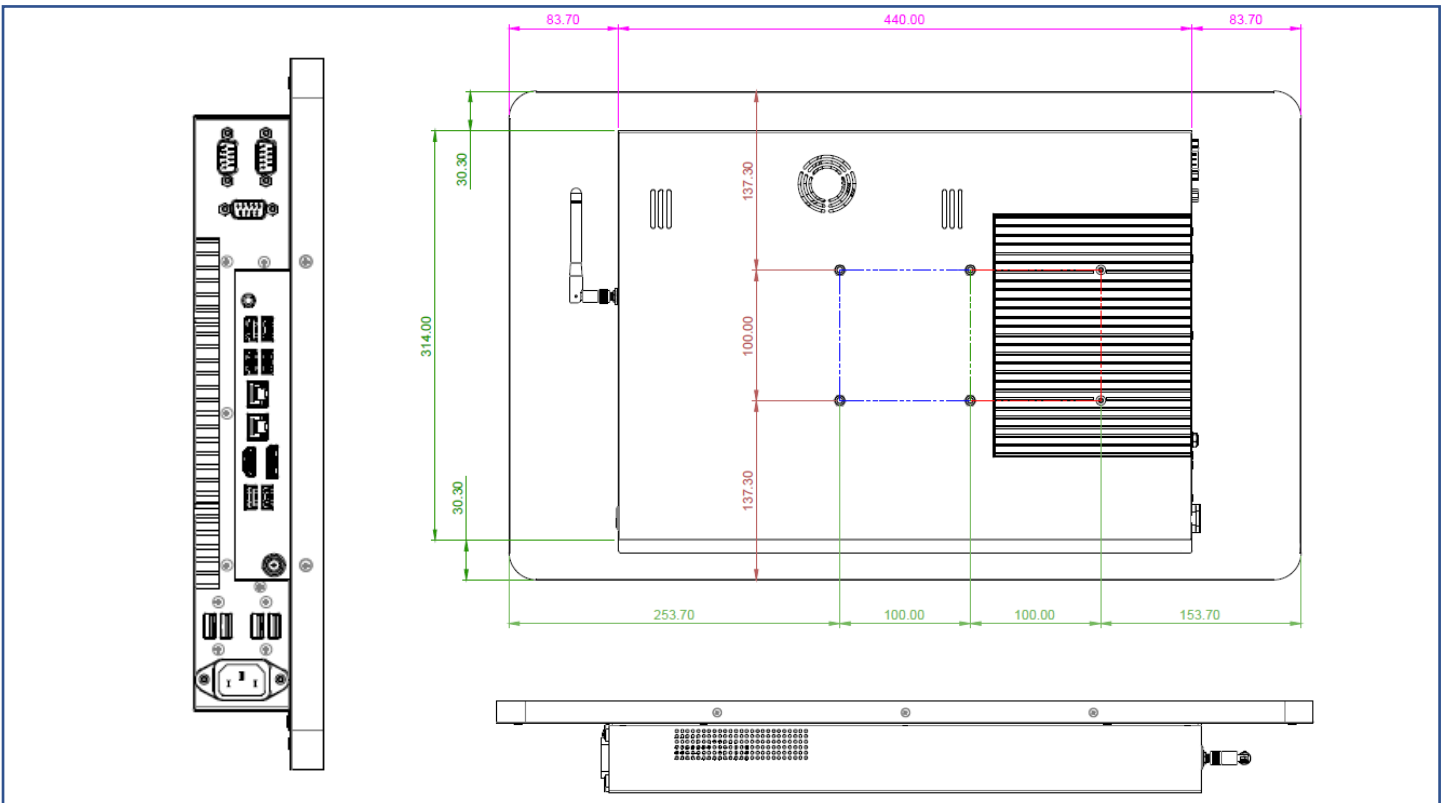
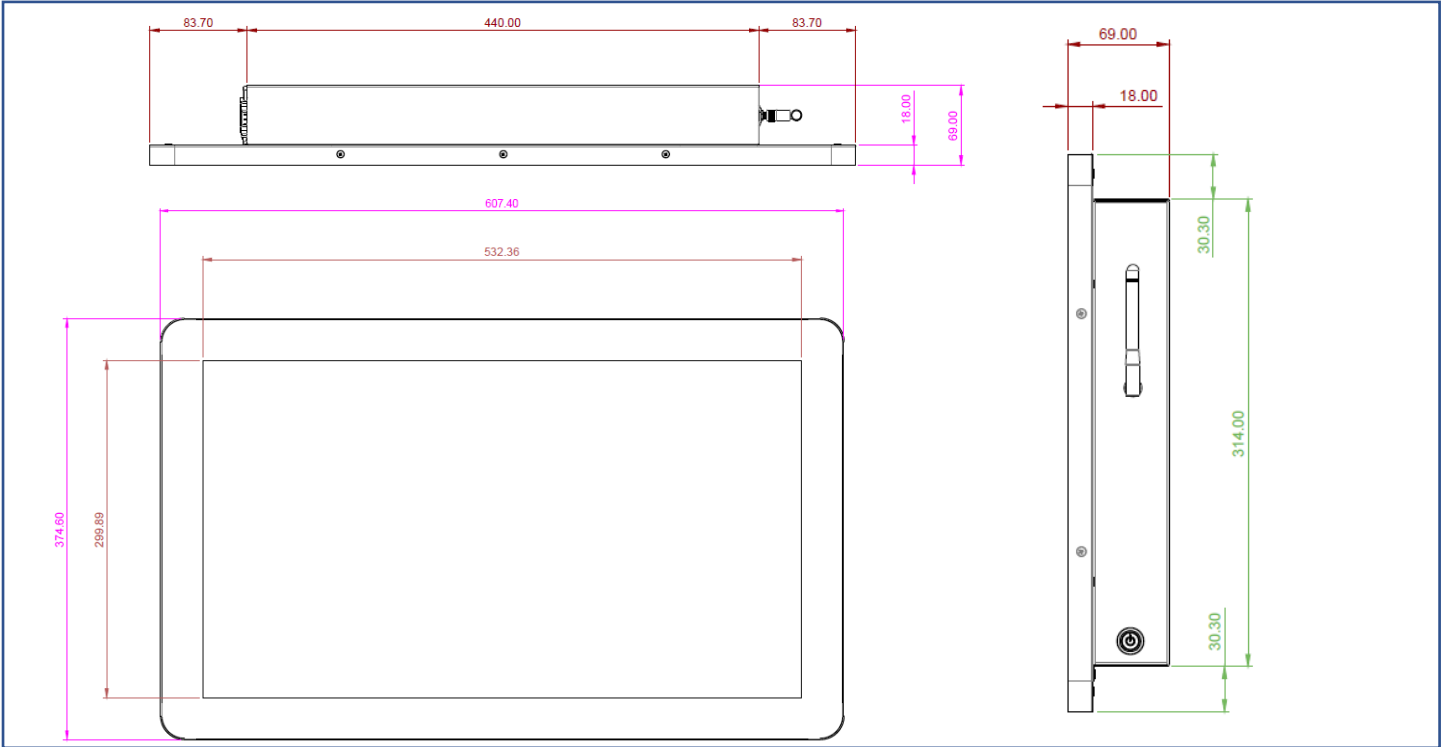
The watertight gasket can be added between the Front Cover and **NTWP240**.

It complies **IP65** on front.



Physical Specifications

Dimension	607x375x69(±2)mm(W/O Antenna)	Net Weight	≤9.5 KG
VESA Mounting	100x100 mm	Gross Weight	≤11.5 KG



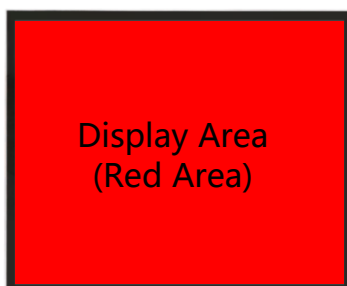
Cosmetic Inspection Standard

Display Area Allowance			
Defect description	Defective Specifications	Allowance	Remarks
Dot Defect (including dark dot, particles, bubbles, pits, dust, foreign matter)	$D \leq 0.2\text{mm}$	Ignored	D=Diameter
	$0.2 < D \leq 0.7\text{mm}$	$N \leq 5$	N=Quantity
	$0.7 < D \leq 1\text{mm}$	$N \leq 3$	
	$D > 1\text{mm}$	$N \leq 0$	
Linear Defect (including scratches, fluff, particles)	$W \leq 0.15\text{mm}$	Ignored	W=Width
	$0.15 < W \leq 0.5\text{mm}, L \leq 15\text{mm}$	$N \leq 2$	L=Length
	$W > 0.5\text{mm}$ or $L > 15\text{mm}$	NG	

* Visual inspection distance: 60cm, 90 degree (same for front/side/back)

Front Appearance Allowance (Including Coating)			
Defect description	Defective Specifications	Allowance	Remarks
Dot Defect (including particles, bubbles, pits...etc.)	$D \leq 0.7\text{mm}$	Ignored	D=Diameter
	$0.7 < D \leq 1.5\text{mm}$	$N \leq 3$	N=Quantity
	$D > 1.5\text{mm}$	$N \leq 0$	
Linear Defect (including scratches, fluff, particles)	$W \leq 0.2\text{mm}, L \leq 15\text{mm}$	Ignored	W=Width, L=Length
	$0.2 < W \leq 0.7\text{mm}, L \leq 15\text{mm}$	$N \leq 1$	
	$W > 0.7\text{mm}$ or $L > 15\text{mm}$	NG	

Side / Back Appearance Allowance (Including Coating)			
Defect description	Defective Specifications	Allowance	Remarks
Dot Defect (including particles, bubbles, pits...etc.)	$D \leq 1.5\text{mm}$	Ignored	D=Diameter
	$1.5 < D \leq 3\text{mm}$	$N \leq 8$	N=Quantity
	$D > 3\text{mm}$	$N \leq 2$	
Linear Defect (including scratches, fluff, particles)	$W \leq 0.8\text{mm}, L \leq 15\text{mm}$	Ignored	W=Width, L=Length
	$0.8 < W \leq 1.5\text{mm}, L \leq 15\text{mm}$	$N \leq 5$	
	$W > 1.5\text{mm}$ or $L > 15\text{mm}$	NG	



Display Area
(Red Area)



Front Appearance (Red Area)



Back Appearance