



# Product Specifications

<b>Customer</b>	
<b>Model Name</b>	<b>NTWP240-2 V500E</b>
<b>Model Number</b>	NTWP240 <u>XXSXX</u> -GP <u>XX8XX</u> - <u>XXFX</u> -500E

\* X = A~Z, 0~9 (Depends on Options.)



Records of Revision			
Vision	Modifying	Old Description	New Description
v2101.1	Preliminary Specification		

## Features

- ★ 24" Industrial Panel, 16:9/1920x1080 (FHD) Resolution
- ★ VA Wide Viewing Angle Technology (178°/178°)
- ★ Operating Temperature Range -20~70°C
- ★ Intel® Quad-Core N3450/N4200 CPU
- ★ DDR3 8G DRAM
- ★ Serial ATAIIIx1, mSATA/mPCIe x1
- ★ True Flat Projected Capacitive Touch Screen
- ★ 7H Hardness Tempered Cover Glass
- ★ 10 points Multi-touch , Supports Active Stylus
- ★ Metal Cabinet with Diverse Combine Options
- ★ Made in Taiwan, 3 Years Warranty
- ★ Optional High Brightness 1500nits, for Outdoor Environment
- ★ Optional Antibacterial/Anti-Glare/AR/AF/AS Surface Treatment



Desktop Stand



Side Brackets



Wall Mounting



PSE



BSMI



FCC



CE



RoHS



ISO9001



## System Specifications

CPU	Intel® Quad-Core Pentium®
Memory	DDR3 SO-DIMM 8G
Storage	SATAx2, mSATA/mPCIe2 x1
GPU	Realtek ALC255 Audio CODEC
Network	Realtek Gbe LAN Chips x1
Power Input	9~36V DC
Hardware Monitoring	Voltage / Temperature / Fan Speed Detection, Control
OS	Windows 10 64-bit

## Display Specifications

Model Name	609.7mm (24.0 inch)	Display Mode	VA Mode, Normally Black
Screen Diagonal	531.36x298.89 mm	Backlight Unit	LED (white LED)
Display Area	1920x1080 (FHD)	Viewing Angle (L/R, U/D)	178°/178° (CR=10)
Resolution	5000:1	Backlight Lifetime	>50,000 Hours
Contrast Ratio	16:9	Operating Temp.	-20~70°C
Display Ratio	16.7 M Colors	Storage Temp.	-30~80°C
Support Color	276.75x276.75 um	Surface Treatment	Anti-glare, Hardness 3H
Response Time	25 msec.		

## Display Options

Brightness			
	Brightness	Environment	Model Name
<b>Standard</b>	<b>300nits</b>	<b>General</b>	<b>NTWP240NX2XX-GPXX8XX-XXXX-500E</b>
Option 1	1000nits	Outdoor Environment	NTWP240AX2XX-GPXX8XX-XXXX-500E
Option 2	1500nits	Sunlight Readable	NTWP240FX2XX-GPXX8XX-XXXX-500E

## Touch Options

Projected Capacitive			
Model Name	NTWP240 <u>P</u> 2XX-GPXX8XX-XXXX-500E		
Touch Technology	Projected Capacitive	Thickness of Cover Lens	2.9±0.2mm
Allowed Touch Points	10 points	Hardness of Cover Lens	7H
Transparency	≥87%	IK Ratings	IK07
Accuracy	99.00%		



Non-Touch	
Model Name	NTWP240 <u>X</u> 02XX-GPXX8XX-XXXX-500E

Surface Treatment Options		
	Description	Model Name
<b>Standard</b>	<b>(none)</b>	<b>NTWP240XX2<u>00</u>-GPXX8XX-XXXX-500E</b>
Option	Anti-Glare Coating	NTWP240XX2 <u>GG</u> -GPXX8XX-XXXX-500E
Option	Antibacterial (AB Film)	NTWP240XX2 <u>AB</u> -GPXX8XX-XXXX-500E
Option	Anti-Glare +UV-Cut (AG+UV Film)	NTWP240XX2 <u>GU</u> -GPXX8XX-XXXX-500E
Option	Anti-Glare +Fouling/Fingerprint (AG+AFP Film)	NTWP240XX2 <u>GP</u> -GPXX8XX-XXXX-500E
Option	Anti-Reflective +Fouling/Fingerprint (AR+AFP Film)	NTWP240XX2 <u>RP</u> -GPXX8XX-XXXX-500E
Option	Anti-Glare +Reflective +Fouling/Fingerprint (AG+AR+AFP Film)	NTWP240XX2 <u>GR</u> -GPXX8XX-XXXX-500E
Option	Anti-Spy (AS Film)	NTWP240XX2 <u>SF</u> -GPXX8XX-XXXX-500E



### System Options

CPU		
	Item	Model Name
<b>Standard</b>	<b>N3450</b>	<b>NTWP240XX2XX-GP<u>C</u>28XX-XXXX-500E</b>
Option	N4200	NTWP240XX2XX-GP <u>C</u> 48XX-XXXX-500E

Storage		
	Item	Model Name
<b>Standard</b>	<b>SSD 128G</b>	<b>NTWP240XX2XX-GPXX8<u>S</u>1-XXXX-500E</b>
Option 1	SSD 256G	NTWP240XX2XX-GPXX8 <u>S</u> 2-XXXX-500E
Option 2	SSD 512G	NTWP240XX2XX-GPXX8 <u>H</u> 5-XXXX-500E

Material of Cabinet		
	Description	Model Name
<b>Standard</b>	<b>SECC</b>	<b>NTWP240XX2XX-GPXX8XX-<u>S</u>XXX-500E</b>
Option 1	Stainless Steel	NTWP240XX2XX-GPXX8XX- <u>L</u> XXX-500E
Option 2	Aluminum	NTWP240XX2XX-GPXX8XX- <u>A</u> XXX-500E

Color of Cabinet		
	Description	Model Name
<b>Standard</b>	<b>Silver</b>	<b>NTWP240XX2XX-GPXX8XX-<u>X</u>SXX-500E</b>
Option 1	White	NTWP240XX2XX-GPXX8XX- <u>X</u> WXX-500E
Option 2	Black	NTWP240XX2XX-GPXX8XX- <u>X</u> BXX-500E
Options	Other Color	NTWP240XX2XX-GPXX8XX- <u>X</u> XXX-500E

\* X = A~Z, 0~9 (Depends on Color)

**System Options (Continued)**

Cooling Fan		
	Description	Model Name
Standard	7 Blades/4000rpm/Max.10.96CFM/28.3dB	NTWP240XX2XX-GPXX8XX-XXFX-500E
Option	Fanless	NTWP240XX2XX-GPXX8XX-XX0X-500E

Power Input		
	Description	Model Name
Standard	12VDC-in(2.1φ), with 12V Adapter	NTWP240XX2XX-GPXX8XX-XXX4-500E
Option	100~240V AC, C14 AC Power Socket	NTWP240XX2XX-GPXX8XX-XXXA-500E

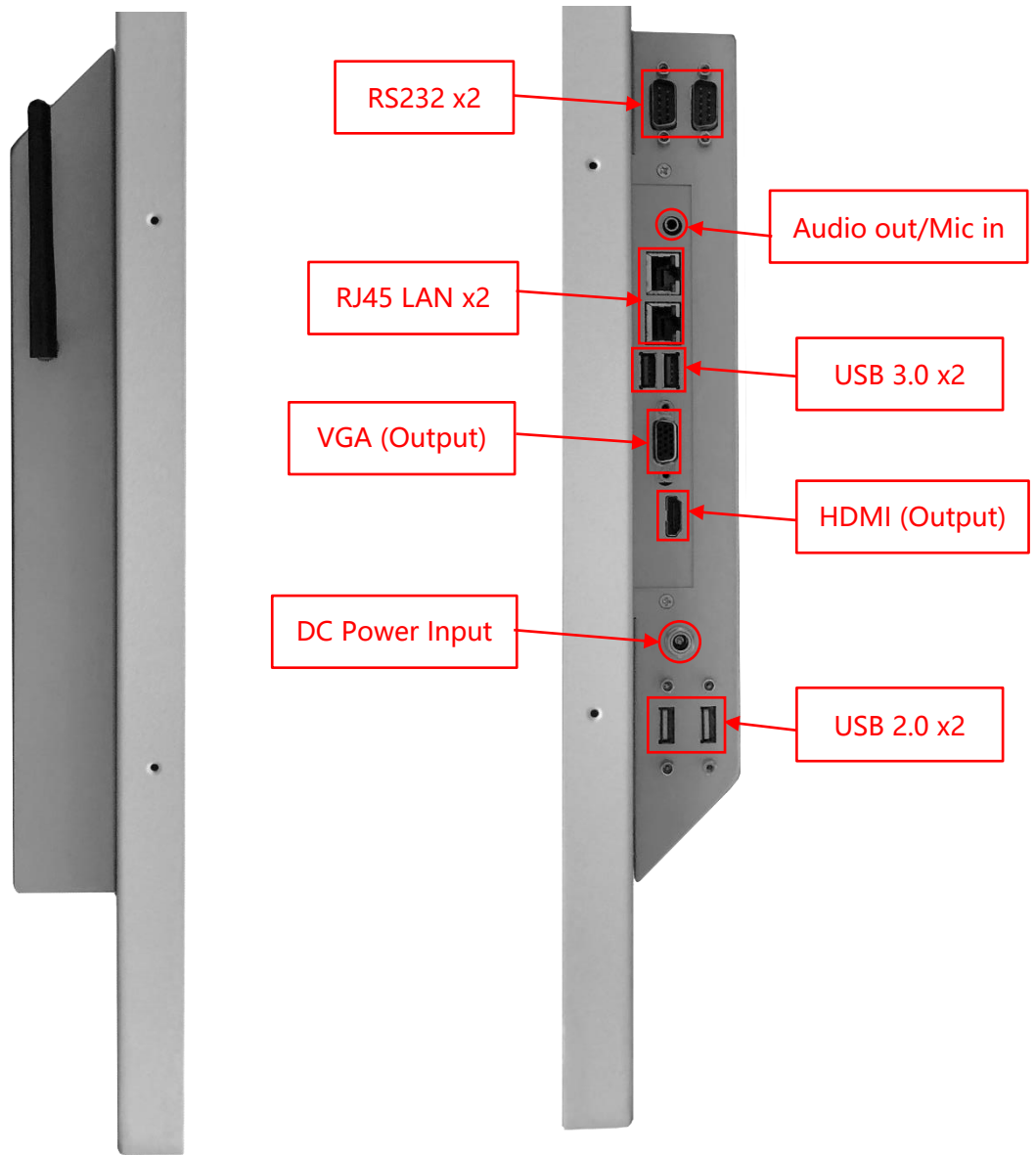


DC-in, Locking Jack



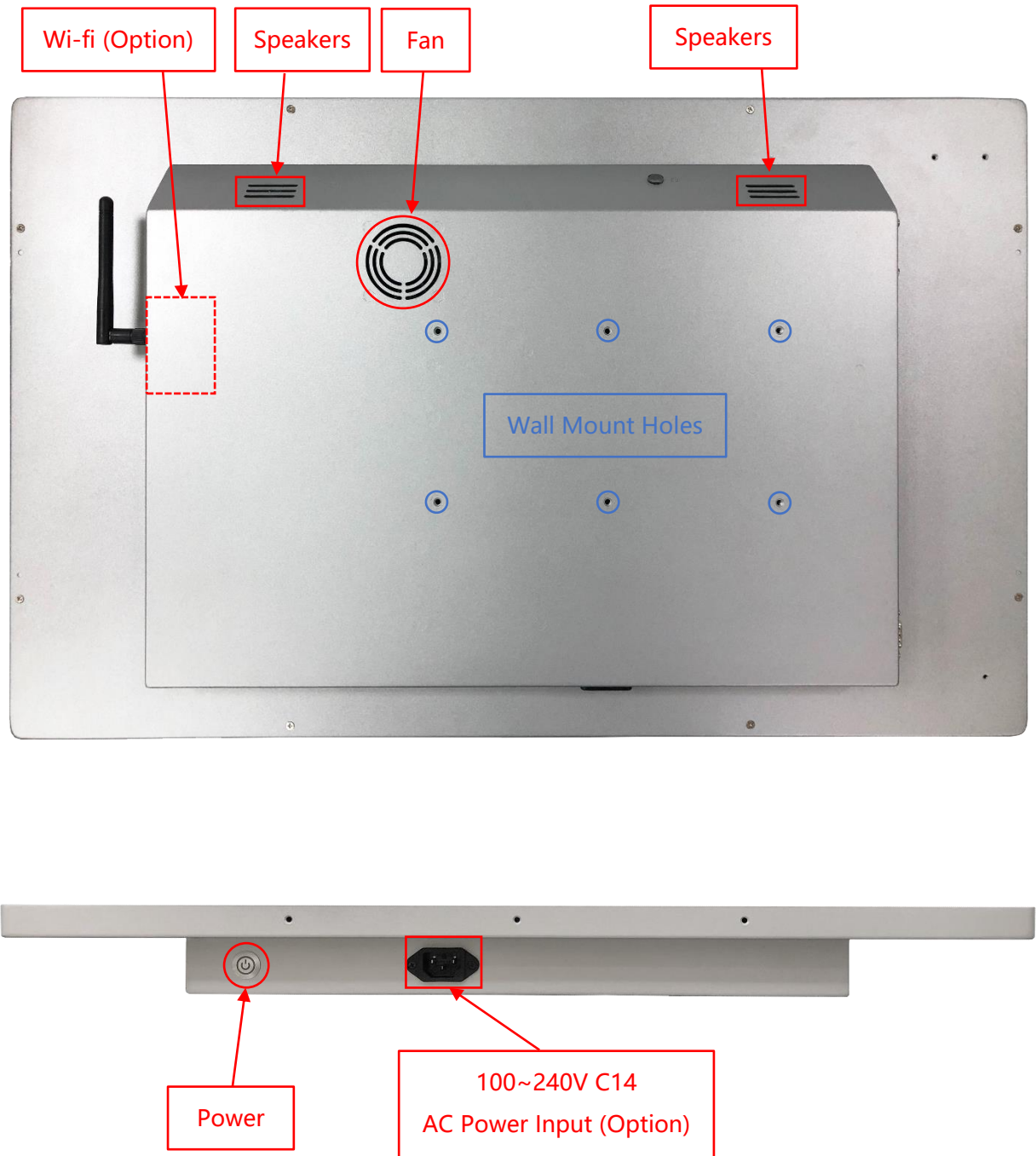
AC-in, C14 Plug

## Input /Output System



Input / Output	Connectors	Input / Output	Connectors
HDMI (Output)	1	USB 3.0	2
VGA (Output)	1	USB 2.0	2
Audio Output/Mic Input(3.5mm)	1	RS232	2
DC Power Input	1	LAN (RJ45)	2
Speakers	2W x2	Wi-Fi/Bluetooth & Antenna	Option

## Input /Output System (Continued)

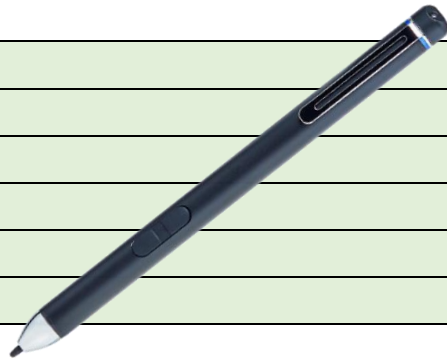


### Other Options

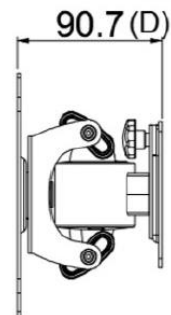
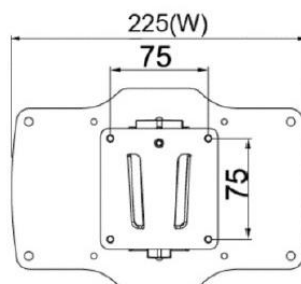
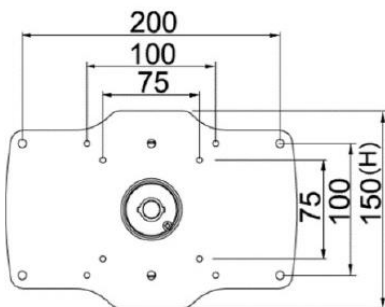
Wireless Network (Option)	
Spec	Wi-Fi a/b/g/n/ac, Dual Mode Bluetooth 2.1/2.1+EDR,3.0,3.0+HS,4.0 (BLE) (Wi-Fi+BT4.0)

### Active Stylus (Option)

Technology	Active Capacitive Coupled
Working Frequencies	90~250 KHZ
Pressure Level	256~1024 Levels
Side Buttons	2 Side Buttons (Eraser, Barrel)
Active Tip Force	5~25g
Max. Tip Force	400g



### Wall Mount Bracket (Option)



### Desktop Stand (Option)

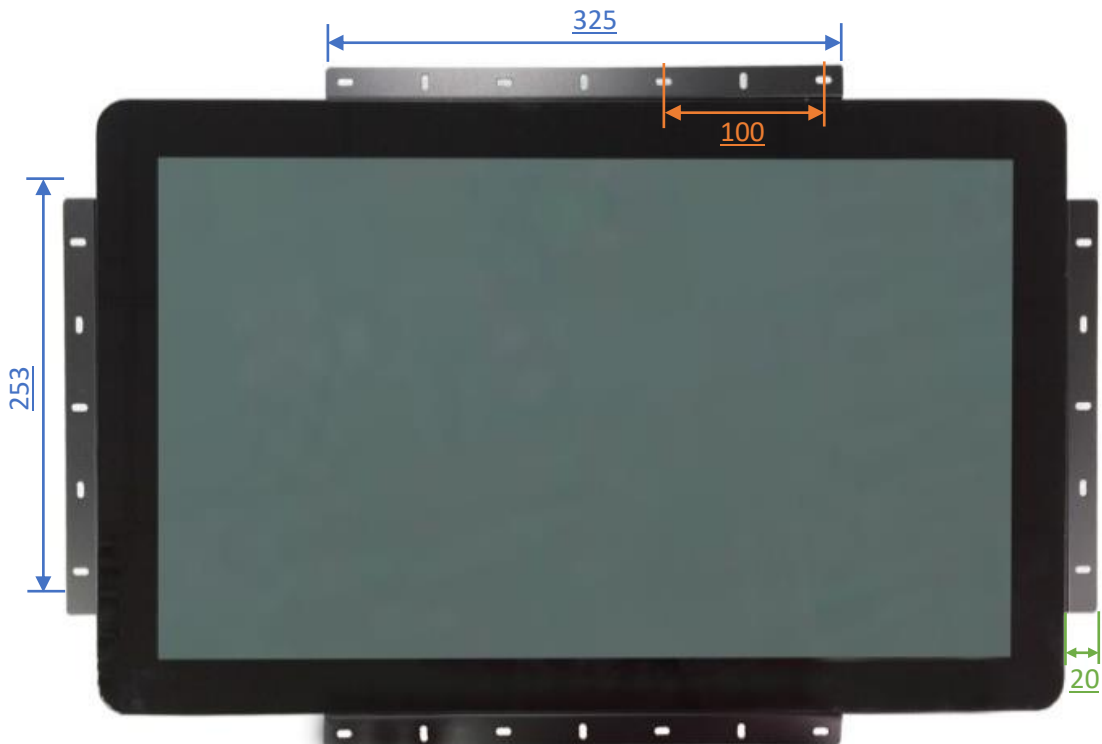
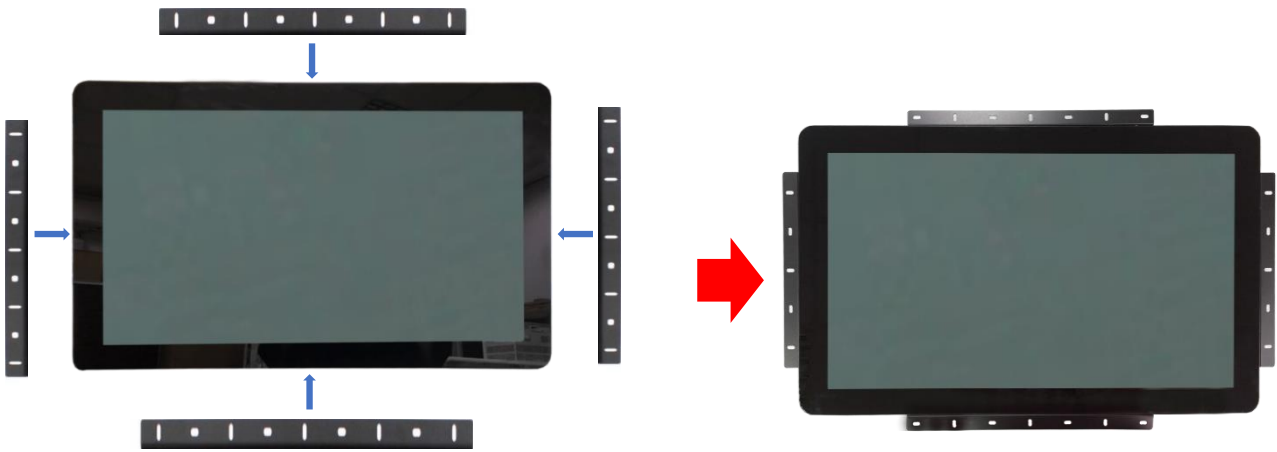
Item	B Stand	Part No.	DST-0B002/DST-1B002
Mounting Pattern	100x100 / 75x75 mm	Dimension (WxHxD)	203x275x227 mm
Material	Steel/Plastic/Aluminum	Net Weight	1.8 KG
Tilt (Hinge)	-2° ~ +180°	Support Max. Weight	15 KG



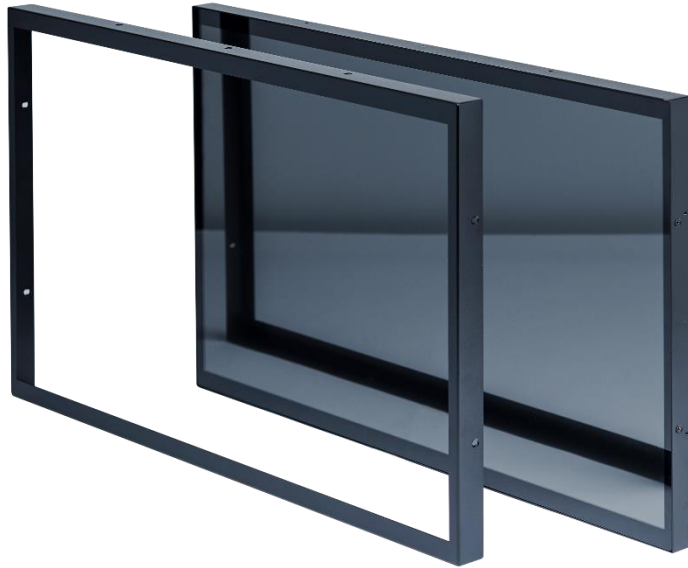
Item	Z Stand	Part No.	DST-0BZ01/DST-1BZ01
Mounting Pattern	100x100 / 75x75 mm	Dimension (WxHxD)	190x240x41.6
Material	SECC	Net Weight	2.6 KG
Tilt (Hinge)	±360°	Support Max. Weight	15 KG



## Open-frame Brackets (Option)



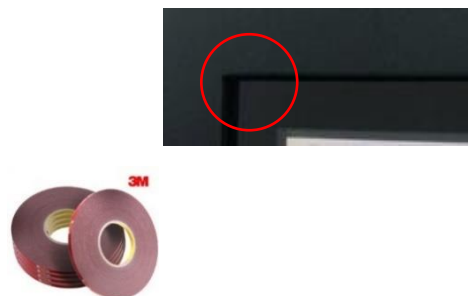
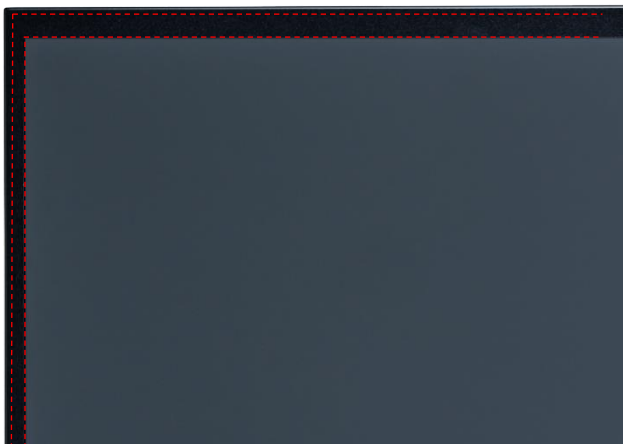
## Front Cover (Option)



The standard **NTWP238** is true flat surface, with only 1mm metal bezel. To protect the corners of the touch screen, the **Front Cover** can be added.

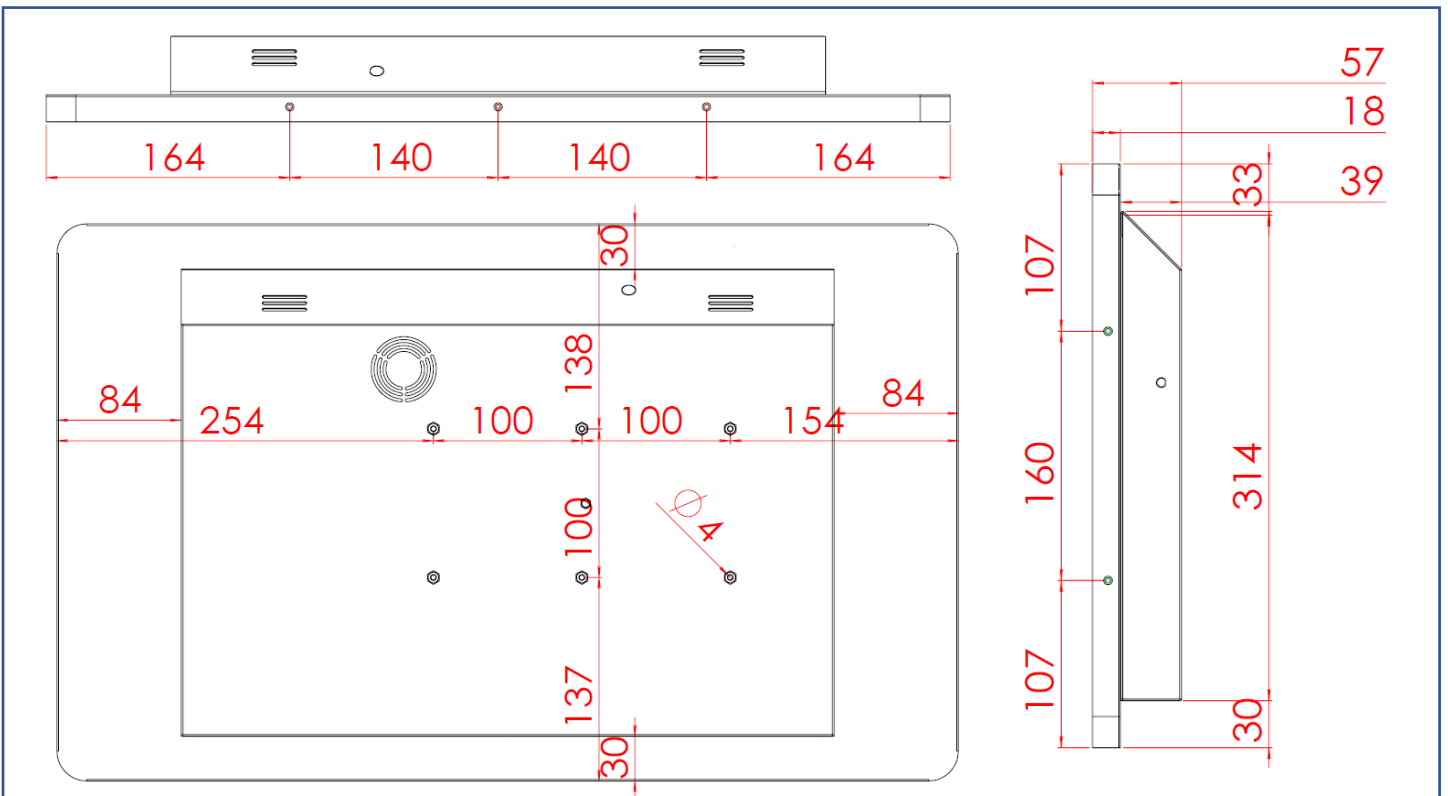
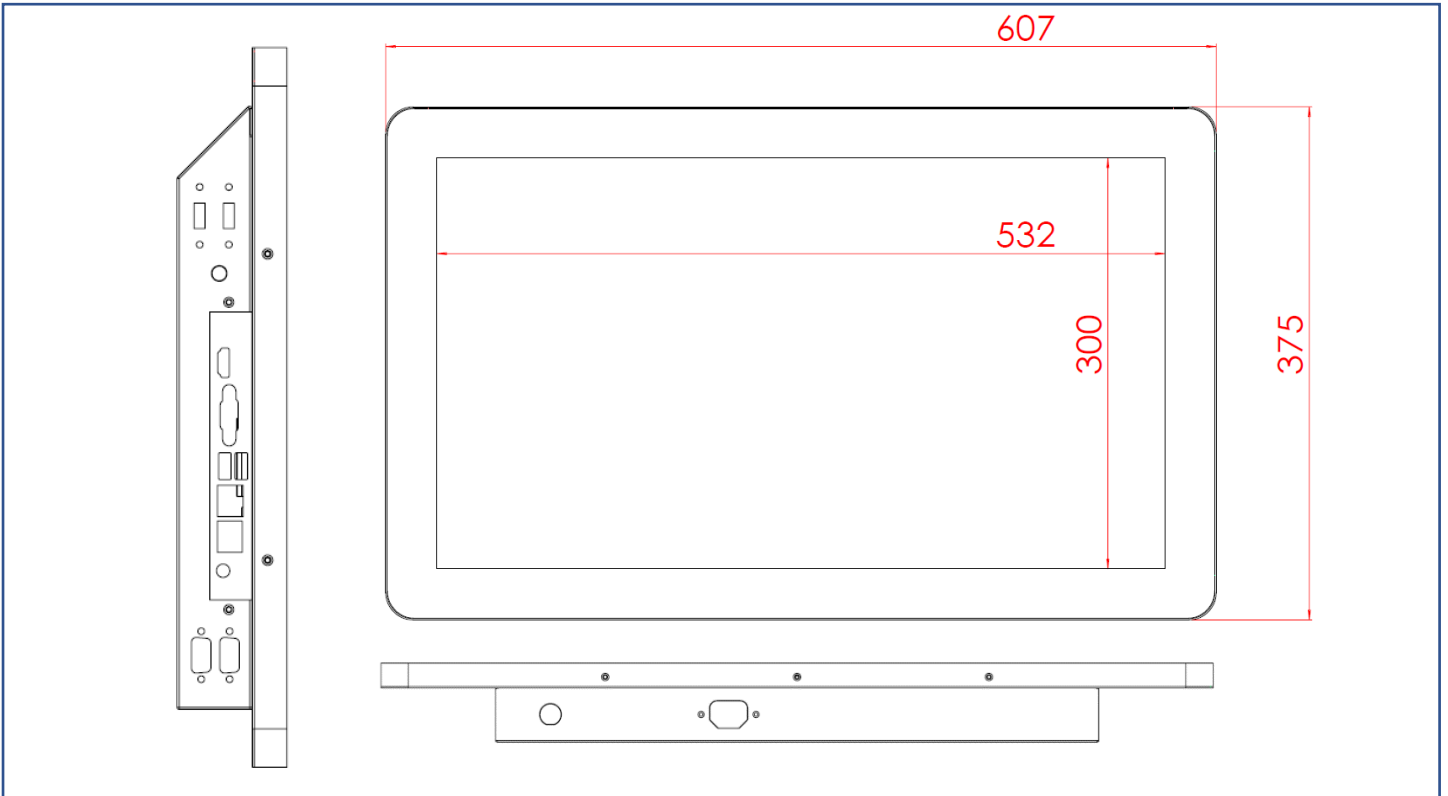


The watertight gasket can be added between the **Front Cover** and **NTWP238**. It complies **IP65** on front.



## Physical Specifications

Dimension	607x375x57(±2)mm (W/O Antenna)	Net Weight	≤9.0 KG
VESA Mounting	100x100 mm	Gross Weight	≤11.0 KG



## Packing Information



Dimensions of Carton	<b>772x200x523 mm</b>
Net Weight	<b>≤9.0 KG</b>
Gross Weight	<b>≤11.0 KG</b>

## Cosmetic Inspection Standard

Display Area Allowance			
Defect description	Defective Specifications	Allowance	Remarks
Dot Defect (including dark dot, particles, bubbles, pits, dust, foreign matter)	$D \leq 0.2\text{mm}$	Ignored	D=Diameter
	$0.2 < D \leq 0.7\text{mm}$	$N \leq 5$	N=Quantity
	$0.7 < D \leq 1\text{mm}$	$N \leq 3$	
	$D > 1\text{mm}$	$N \leq 0$	
Linear Defect (including scratches, fluff, particles)	$W \leq 0.15\text{mm}$	Ignored	W=Width
	$0.15 < W \leq 0.5\text{mm}, L \leq 15\text{mm}$	$N \leq 2$	L=Length
	$W > 0.5\text{mm}$ or $L > 15\text{mm}$	NG	

\* Visual inspection distance: 60cm, 90 degree (same for front/side/back)

Front Appearance Allowance (Including Coating)			
Defect description	Defective Specifications	Allowance	Remarks
Dot Defect (including particles, bubbles, pits...etc.)	$D \leq 0.7\text{mm}$	Ignored	D=Diameter
	$0.7 < D \leq 1.5\text{mm}$	$N \leq 3$	N=Quantity
	$D > 1.5\text{mm}$	$N \leq 0$	
Linear Defect (including scratches, fluff, particles)	$W \leq 0.2\text{mm}, L \leq 15\text{mm}$	Ignored	W=Width, L=Length
	$0.2 < W \leq 0.7\text{mm}, L \leq 15\text{mm}$	$N \leq 1$	
	$W > 0.7\text{mm}$ or $L > 15\text{mm}$	NG	

Side / Back Appearance Allowance (Including Coating)			
Defect description	Defective Specifications	Allowance	Remarks
Dot Defect (including particles, bubbles, pits...etc.)	$D \leq 1.5\text{mm}$	Ignored	D=Diameter
	$1.5 < D \leq 3\text{mm}$	$N \leq 8$	N=Quantity
	$D > 3\text{mm}$	$N \leq 2$	
Linear Defect (including scratches, fluff, particles)	$W \leq 0.8\text{mm}, L \leq 15\text{mm}$	Ignored	W=Width, L=Length
	$0.8 < W \leq 1.5\text{mm}, L \leq 15\text{mm}$	$N \leq 5$	
	$W > 1.5\text{mm}$ or $L > 15\text{mm}$	NG	



Display Area  
(Red Area)



Front Appearance (Red Area)



Back Appearance