



Product Specifications

Customer	
Model Name	NTWP270 V500E
Model Number	NTWP270 <u>XXSXX</u> -GP <u>XX8XX</u> - <u>XXXX</u> -500E

* X = A~Z, 0~9 (Depends on Options.)



Records of Revision			
Vision	Modifying	Old Description	New Description
v2009.1	Preliminary Specification		

Features

- ★ 27" 1920x1080 (FHD) Resolution
- ★ VA Wide Viewing Angle Technology (178°/178°)
- ★ Intel® Quad-Core N3450/N4200 CPU
- ★ DDR3 8G DRAM , SSD 128/256/512G
- ★ Serial ATAIIIx1, mSATA/mPCIe x1
- ★ True Flat Projected Capacitive Touch Screen, 7H Hardness Tempered Cover Glass
- ★ 10 points Multi-touch , Supports Active Stylus
- ★ Metal Cabinet with Diverse Combine Options
- ★ Made in Taiwan, 3 Years Warranty, designed for Harsh Environments
- ★ Optional High Brightness 1500nits, for Outdoor Environment
- ★ Optional Antibacterial/Anti-Glare/AR/AF/AS Surface Treatment



Desktop Stand



Side Brackets



Wall Mounting



PSE



BSMI



FCC



CE



RoHS



ISO9001



System Specifications

CPU	Intel® Quad-Core Pentium®
Memory	DDR3 SO-DIMM 8G
Storage	mSATA/mPCIe2 x1
GPU	Realtek ALC255 Audio CODEC
Network	Realtek Gbe LAN Chips x1
Hardware Monitoring	Voltage / Temperature / Fan Speed Detection, Control
OS	Windows 10 64-bit

Display Specifications

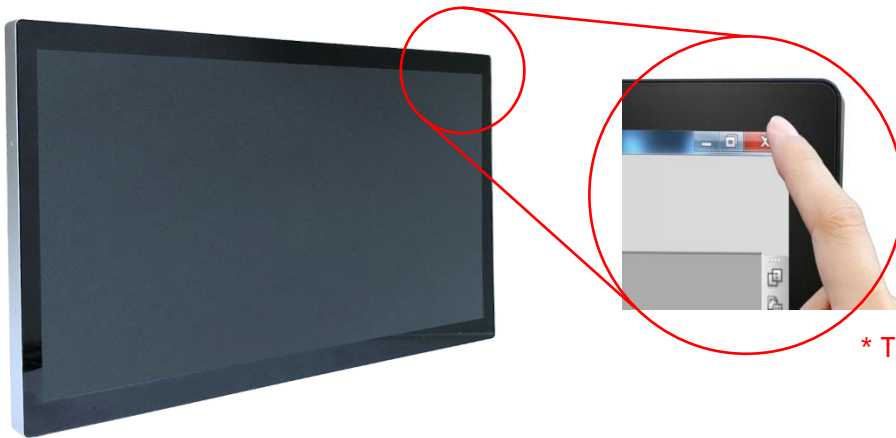
Screen Diagonal	685.6mm (27.0 inch)	Display Mode	VA Type, Normally Black
Display Area	597.6x336.2 mm	Backlight Unit	LED (white LED)
Resolution	1920x1080 (FHD)	Viewing Angle (L/R, U/D)	178°/178° (CR=10)
Contrast Ratio	3000:1	Backlight Lifetime	>30,000 Hours
Display Ratio	16:9	Operating Temp.	0~50°C
Support Colors	16.7M Colors	Storage Temp.	-20~60°C
Pixel Pitch	264x264 um	Surface Treatment	Anti-glare, Hardness 3H
Response Time	5 msec.		

Display Options

Brightness			
	Brightness	Environment	Model Name
Standard	300nits	General	NTWP270NXSXX-GPXX8XX-XXXX-500E
Option 1	1000nits	Outdoor Environment	NTWP270AXSXX-GPXX8XX-XXFX-500E
Option 2	1500nits	Sunlight Readable	NTWP270FXSXX-GPXX8XX-XXFX-500E

Touch Options

Projected Capacitive			
Model Name	NTWP270 <u>X</u> <u>P</u> <u>S</u> <u>X</u> <u>X</u> - <u>G</u> <u>P</u> <u>X</u> <u>X</u> <u>8</u> <u>X</u> <u>X</u> - <u>X</u> <u>X</u> <u>X</u> <u>X</u> -500E		
Touch Technology	Projected Capacitive	Thickness of Cover Lens	2.0±0.2mm
Allowed Touch Points	10 points	Hardness of Cover Lens	7H
Transparency	≥87%	IK Ratings	IK07
Accuracy	99.00%		



* True Flat, 1mm Bezel

Non-Touch	
Model Name	NTWP270 <u>X</u> <u>0</u> <u>S</u> <u>X</u> <u>X</u> - <u>G</u> <u>P</u> <u>X</u> <u>X</u> <u>8</u> <u>X</u> <u>X</u> - <u>X</u> <u>X</u> <u>X</u> <u>X</u> -500E

Surface Treatment Options		
	Description	Model Name
Standard	(none)	NTWP270<u>X</u><u>X</u><u>S</u><u>00</u>-<u>G</u><u>P</u><u>X</u><u>X</u><u>8</u><u>X</u><u>X</u>-<u>X</u><u>X</u><u>X</u><u>X</u>-500E
Option	Anti-Glare Coating	NTWP270 <u>X</u> <u>X</u> <u>S</u> <u>GG</u> - <u>G</u> <u>P</u> <u>X</u> <u>X</u> <u>8</u> <u>X</u> <u>X</u> - <u>X</u> <u>X</u> <u>X</u> <u>X</u> -500E
Option	Antibacterial (AB Film)	NTWP270 <u>X</u> <u>X</u> <u>S</u> <u>AB</u> - <u>G</u> <u>P</u> <u>X</u> <u>X</u> <u>8</u> <u>X</u> <u>X</u> - <u>X</u> <u>X</u> <u>X</u> <u>X</u> -500E
Option	Anti-Glare +UV-Cut (AG+UV Film)	NTWP270 <u>X</u> <u>X</u> <u>S</u> <u>GU</u> - <u>G</u> <u>P</u> <u>X</u> <u>X</u> <u>8</u> <u>X</u> <u>X</u> - <u>X</u> <u>X</u> <u>X</u> <u>X</u> -500E
Option	Anti-Glare +Fouling/Fingerprint (AG+AFP Film)	NTWP270 <u>X</u> <u>X</u> <u>S</u> <u>GP</u> - <u>G</u> <u>P</u> <u>X</u> <u>X</u> <u>8</u> <u>X</u> <u>X</u> - <u>X</u> <u>X</u> <u>X</u> <u>X</u> -500E
Option	Anti-Reflective +Fouling/Fingerprint (AR+AFP Film)	NTWP270 <u>X</u> <u>X</u> <u>S</u> <u>RP</u> - <u>G</u> <u>P</u> <u>X</u> <u>X</u> <u>8</u> <u>X</u> <u>X</u> - <u>X</u> <u>X</u> <u>X</u> <u>X</u> -500E
Option	Anti-Glare +Reflective +Fouling/Fingerprint (AG+AR+AFP Film)	NTWP270 <u>X</u> <u>X</u> <u>S</u> <u>GR</u> - <u>G</u> <u>P</u> <u>X</u> <u>X</u> <u>8</u> <u>X</u> <u>X</u> - <u>X</u> <u>X</u> <u>X</u> <u>X</u> -500E
Option	Anti-Spy (AS Film)	NTWP270 <u>X</u> <u>X</u> <u>S</u> <u>SF</u> - <u>G</u> <u>P</u> <u>X</u> <u>X</u> <u>8</u> <u>X</u> <u>X</u> - <u>X</u> <u>X</u> <u>X</u> <u>X</u> -500E



System Options

CPU		
	Item	Model Name
Standard	N3450	NTWP270XXSXX-GP<u>C</u>28XX-XXXX-500E
Option	N4200	NTWP270XXSXX-GP <u>C</u> 48XX-XXXX-500E

Storage		
	Item	Model Name
Standard	SSD 128G	NTWP270XXSXX-GPXX8<u>S</u>1-XXXX-500E
Option 1	SSD 256G	NTWP270XXSXX-GPXX8 <u>S</u> 2-XXXX-500E
Option 2	SSD 512G	NTWP270XXSXX-GPXX8 <u>H</u> 5-XXXX-500E
Option 3	SATA HDD 1T	NTWP270XXSXX-GPXX8 <u>H</u> 1-XXXX-500E

Material of Cabinet		
	Description	Model Name
Standard	SECC	NTWP270XXSXX-GPXX8XX-<u>S</u>XXX-500E
Option 1	Stainless Steel	NTWP270XXSXX-GPXX8XX- <u>L</u> XXX-500E
Option 2	Aluminum	NTWP270XXSXX-GPXX8XX- <u>A</u> XXX-500E

Color of Cabinet		
	Description	Model Name
Standard	Silver	NTWP270XXSXX-GPXX8XX-<u>X</u>SXX-500E
Option 1	White	NTWP270XXSXX-GPXX8XX- <u>X</u> WXX-500E
Option 2	Black	NTWP270XXSXX-GPXX8XX- <u>X</u> BXX-500E
Options	Other Color	NTWP270XXSXX-GPXX8XX- <u>X</u> XXX-500E

* X = A~Z, 0~9 (Depends on Color)

System Options (Continued)

Cooling Fan		
	Description	Model Name
Standard	7 Blades/4000rpm/Max.10.96CFM/28.3dB	NTWP270XXSXX-GPXX8XX-XXFX-500E
Option	Fanless	NTWP270XXSXX-GPXX8XX-XX0X-500E

Power Input		
	Description	Model Name
Standard	12VDC-in(2.1φ), with 12V Adapter	NTWP270XXSXX-GPXX8XX-XXX4-500E
Option	100~240V AC, C14 AC Power Socket	NTWP270XXSXX-GPXX8XX-XXXA-500E

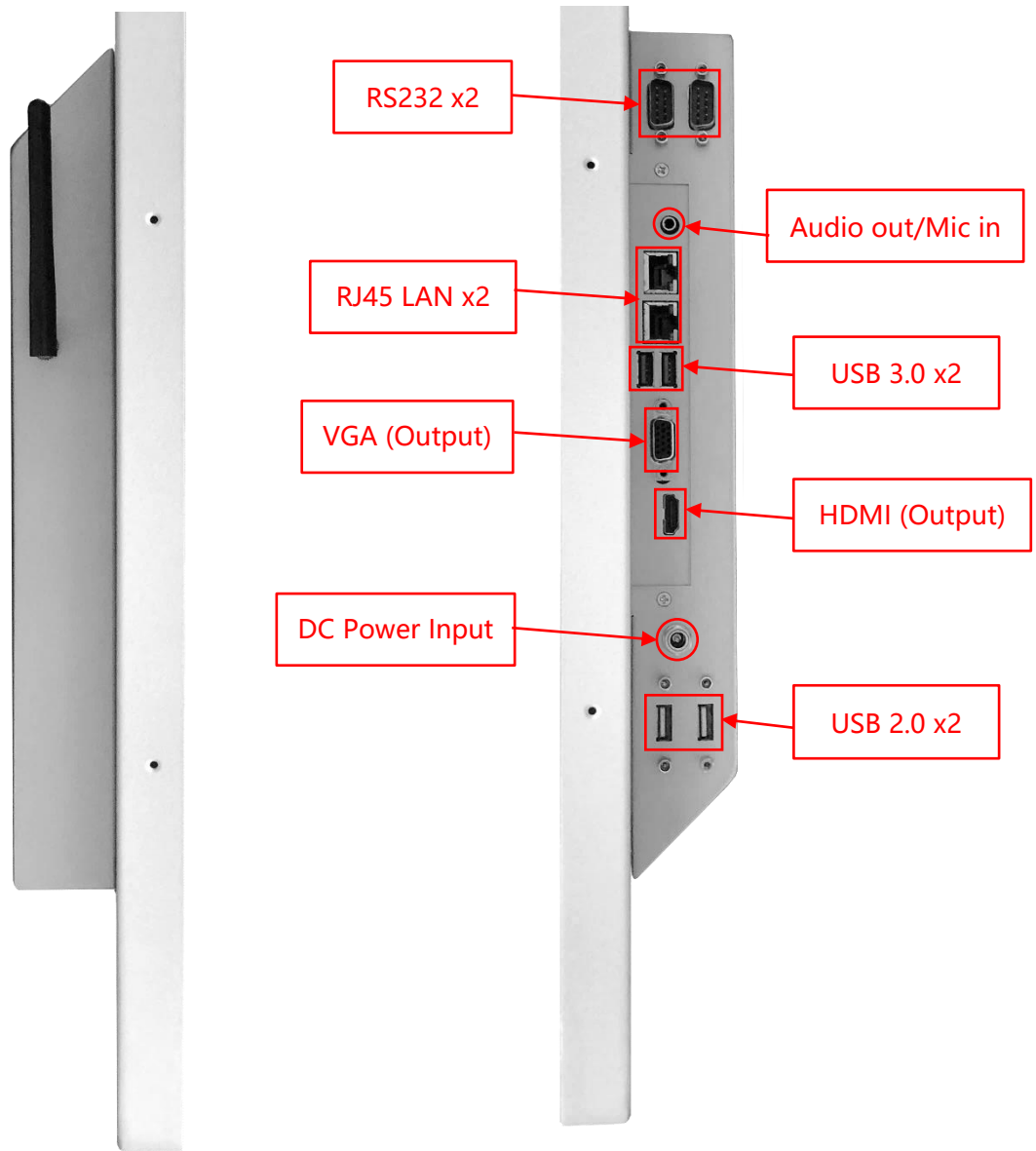


DC-in, Locking Jack



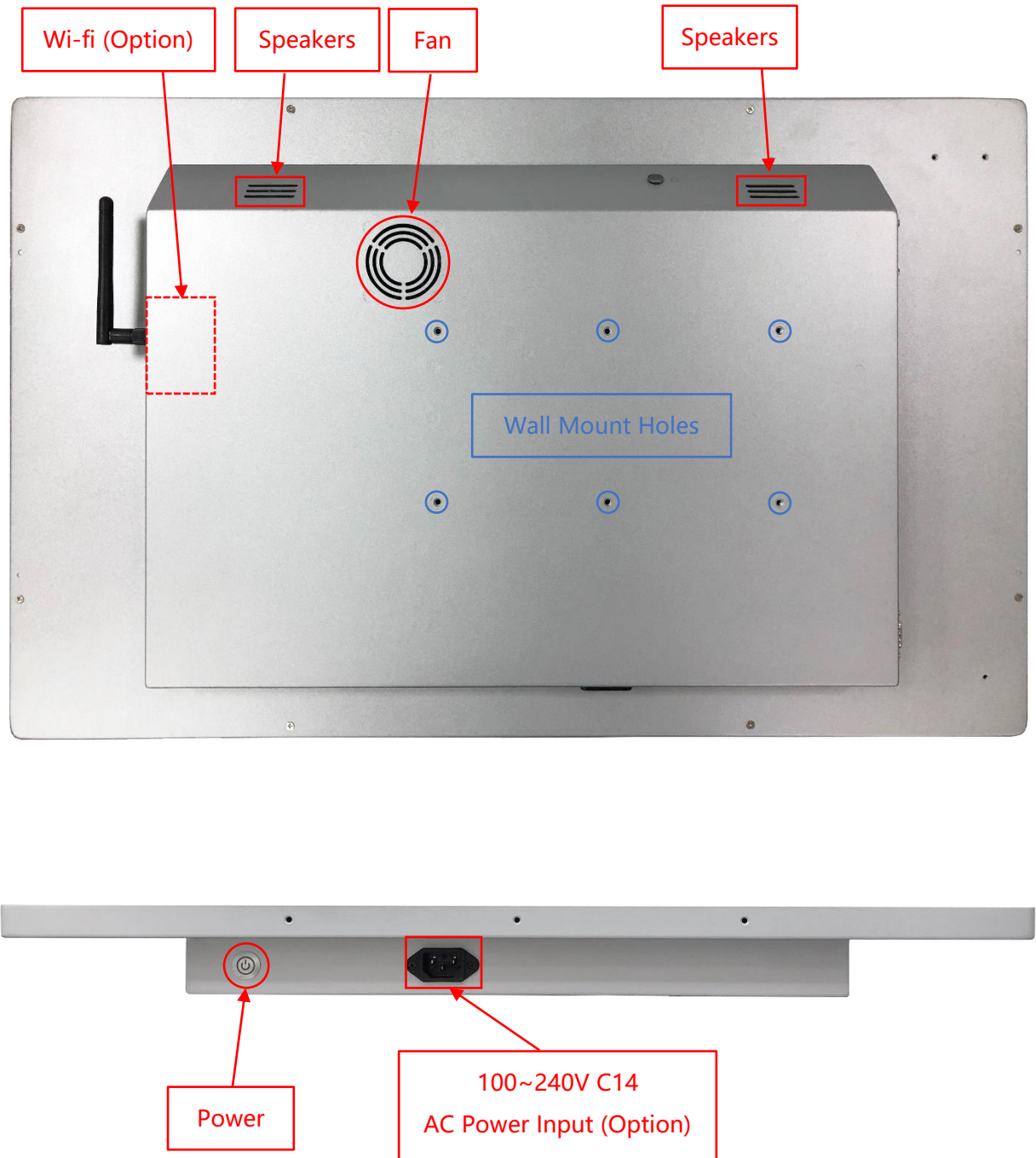
AC-in, C14 Plug

Input /Output System



Input / Output	Connectors	Input / Output	Connectors
HDMI (Output)	1	USB 3.0	2
VGA (Output)	1	USB 2.0	2
Audio Output /Mic Input (3.5mm)	1	RS232	2
DC Power Input	1	LAN (RJ45)	2
Speakers	2W x2	Wi-Fi/Bluetooth & Antenna	Option

Input /Output System (Continued)



Other Options

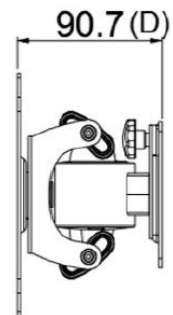
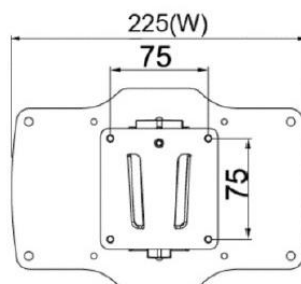
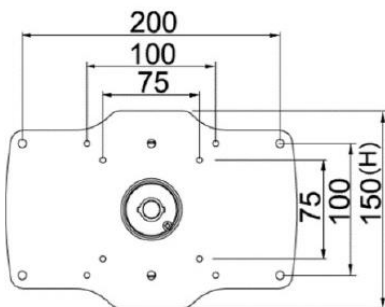
Wireless Network (Option)	
Spec	Wi-Fi a/b/g/n/ac, Dual Mode Bluetooth 2.1/2.1+EDR,3.0,3.0+HS,4.0 (BLE) (Wi-Fi+BT4.0)

Active Stylus (Option)

Technology	Active Capacitive Coupled
Working Frequencies	90~250 KHZ
Pressure Level	256~1024 Levels
Side Buttons	2 Side Buttons (Eraser, Barrel)
Active Tip Force	5~25g
Max. Tip Force	400g

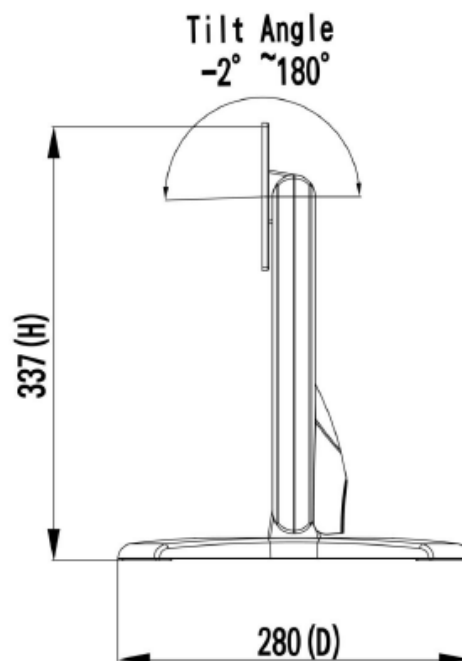
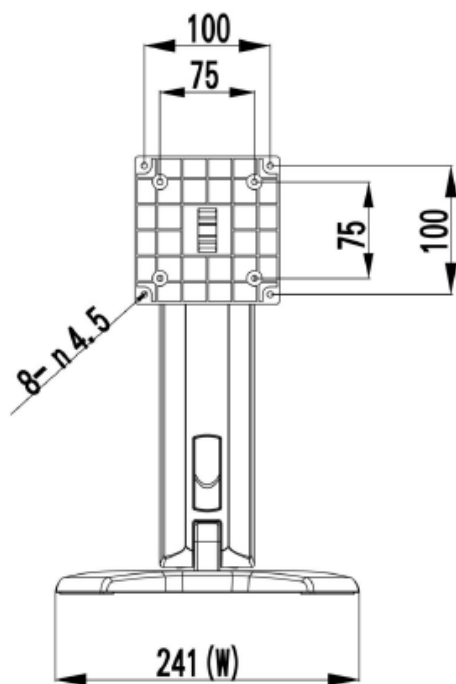


Wall Mount Bracket (Option)

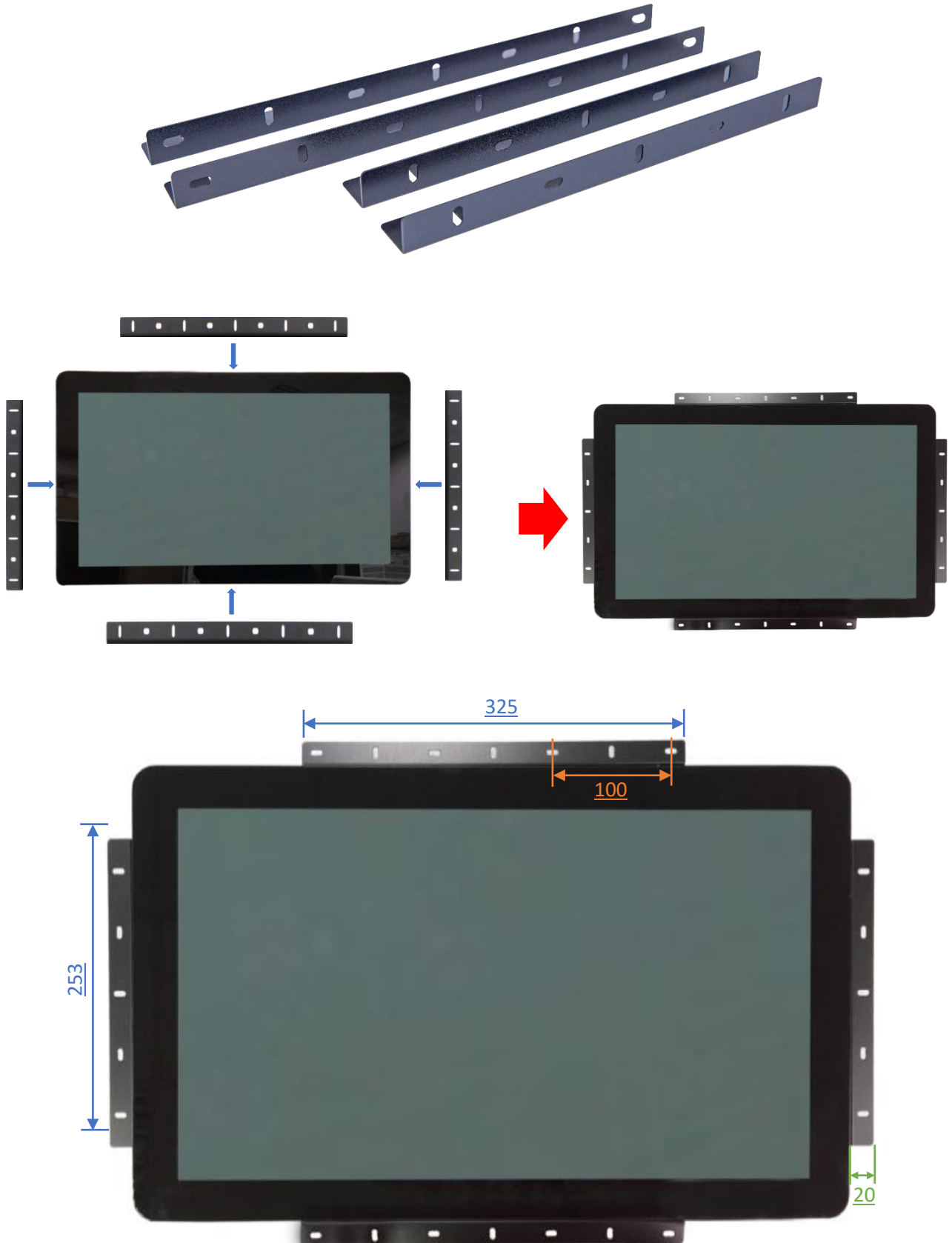


Desktop Stand (Option)

Item	B Stand	Part No.	DST-0B003/DST-1B003
Mounting Pattern	100x100 / 75x75 mm	Dimension (WxHxD)	203x275x227 mm
Material	Steel/Plastic/Aluminum	Net Weight	1.8 KG
Tilt (Hinge)	-2° ~+180°	Support Max. Weight	15 KG



Open-frame Brackets (Option)



Front Cover (Option)



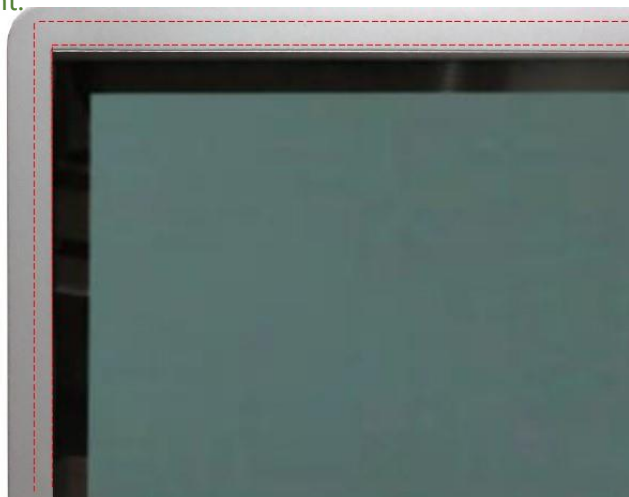
The standard **NTWP270** is true flat surface.

To protect the corners of the touch screen, the Front Cover can be added.



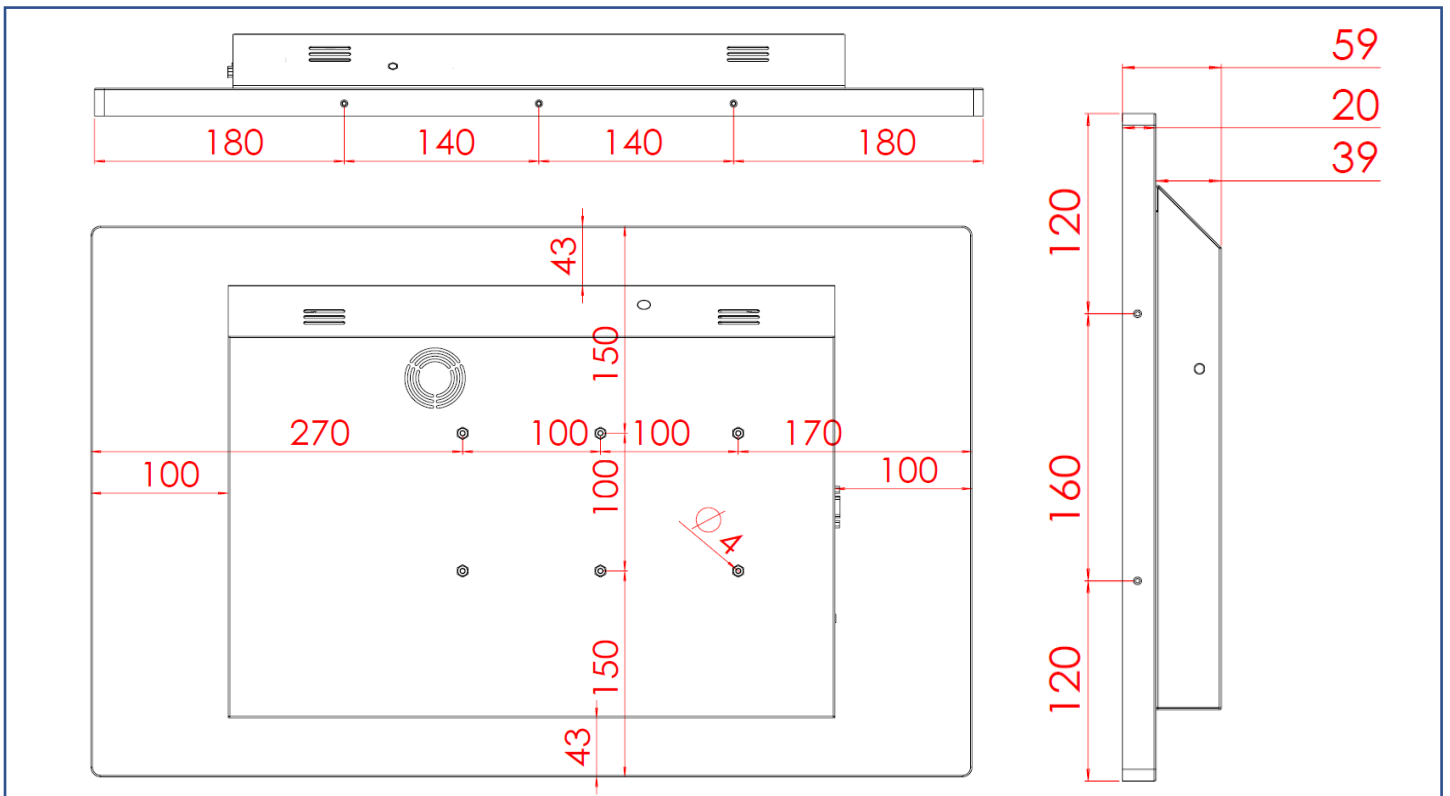
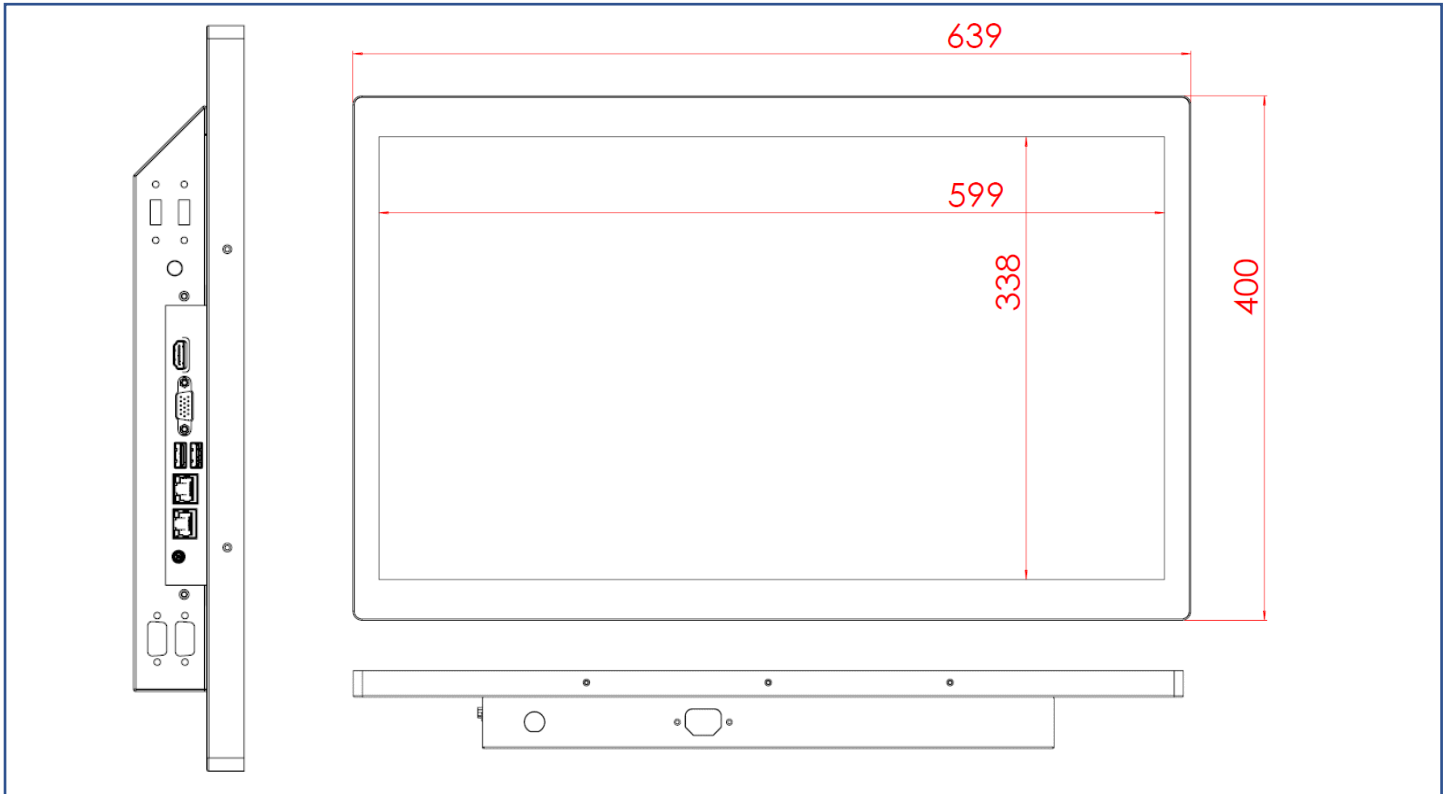
The watertight gasket can be added between the Front Cover and **NTWP270**.

It complies **IP65** on front.

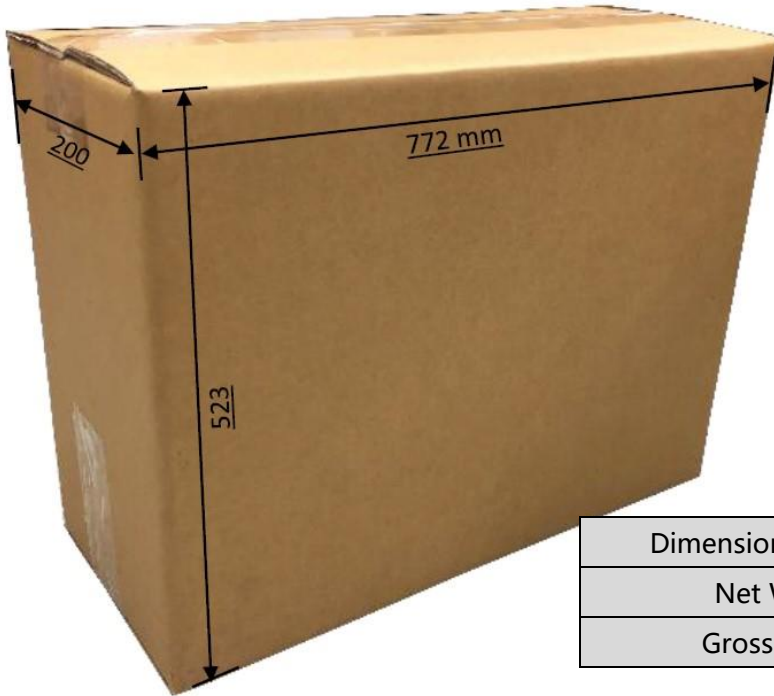


Physical Specifications

Dimension	639x400x59(±2)mm (w/o Antenna)	Net Weight	≤9.7 KG
VESA Mounting	100x100 mm	Gross Weight	≤11.9 KG



Packing Information



Dimensions of Carton	772x200x523 mm
Net Weight	≤9.7 KG
Gross Weight	≤11.9 KG

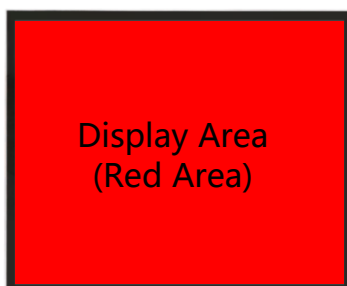
Cosmetic Inspection Standard

Display Area Allowance			
Defect description	Defective Specifications	Allowance	Remarks
Dot Defect (including dark dot, particles, bubbles, pits, dust, foreign matter)	$D \leq 0.2\text{mm}$	Ignored	D=Diameter
	$0.2 < D \leq 0.7\text{mm}$	$N \leq 5$	N=Quantity
	$0.7 < D \leq 1\text{mm}$	$N \leq 3$	
	$D > 1\text{mm}$	$N \leq 0$	
Linear Defect (including scratches, fluff, particles)	$W \leq 0.15\text{mm}$	Ignored	W=Width
	$0.15 < W \leq 0.5\text{mm}, L \leq 15\text{mm}$	$N \leq 2$	L=Length
	$W > 0.5\text{mm}$ or $L > 15\text{mm}$	NG	

* Visual inspection distance: 60cm, 90 degree (same for front/side/back)

Front Appearance Allowance (Including Coating)			
Defect description	Defective Specifications	Allowance	Remarks
Dot Defect (including particles, bubbles, pits...etc.)	$D \leq 0.7\text{mm}$	Ignored	D=Diameter
	$0.7 < D \leq 1.5\text{mm}$	$N \leq 3$	N=Quantity
	$D > 1.5\text{mm}$	$N \leq 0$	
Linear Defect (including scratches, fluff, particles)	$W \leq 0.2\text{mm}, L \leq 15\text{mm}$	Ignored	W=Width, L=Length
	$0.2 < W \leq 0.7\text{mm}, L \leq 15\text{mm}$	$N \leq 1$	
	$W > 0.7\text{mm}$ or $L > 15\text{mm}$	NG	

Side / Back Appearance Allowance (Including Coating)			
Defect description	Defective Specifications	Allowance	Remarks
Dot Defect (including particles, bubbles, pits...etc.)	$D \leq 1.5\text{mm}$	Ignored	D=Diameter
	$1.5 < D \leq 3\text{mm}$	$N \leq 8$	N=Quantity
	$D > 3\text{mm}$	$N \leq 2$	
Linear Defect (including scratches, fluff, particles)	$W \leq 0.8\text{mm}, L \leq 15\text{mm}$	Ignored	W=Width, L=Length
	$0.8 < W \leq 1.5\text{mm}, L \leq 15\text{mm}$	$N \leq 5$	
	$W > 1.5\text{mm}$ or $L > 15\text{mm}$	NG	



Display Area
(Red Area)



Front Appearance (Red Area)



Back Appearance