

Product Specifications

Customer	
Model	NTAP170-1-Q2 V500
Model No.	NTAP170<u>XXSXX</u>-Q2A72F8-<u>XXXX</u>-500

* X = A~Z, 0~9 (Depends on Options.)



Records of Revision			
Vision	Modifying	Old Description	New Description
v2110.1	Preliminary Specification		
v2110.2	Modify the Design of the Carton		
v2110.3	Add Stylus Pen Option		
v2110.4	Upgrade Display Specifications	Panel Type: TN Operating Temp.: 0~50°C Viewing Angles: 170°/160° Response Time: 5 msec	Panel Type: IAV Operating Temp: 0~60°C Viewing Angles: 178°/178° Response Time: 25 msec
v2110.5	New trademark released		

Features

- ★ 17 inch, 1280x1024 Resolution
- ★ IAV type, Wide Viewing Angle Technology (178°/178°)
- ★ Rock Chip ARM Cortex A17 RK3288 Quad-Core 1.8GHz CPU
- ★ On Board DDR3 2G RAM
- ★ On Board 8G Flash ROM (Max. upgraded to 32G)
- ★ Micro SD Card Slot x1 (Max. to 64G)
- ★ Android 10.0
- ★ Narrow Bezel, True Flat Projected Capacitive Touch Screen
- ★ 7H Hardness Tempered Cover Glass
- ★ 10 points Multi-touch, Supports NEXTECH Dedicated Stylus
- ★ Metal Cabinet with Diverse Combine Options
- ★ Made in Taiwan, 3 Years Warranty
- ★ Optional High Brightness 1500nits, for Outdoor Environment
- ★ Optional Anti-Glare&UV/Antibacterial/Privacy Filter Surface Treatment



PSE



BSMI



RoHS



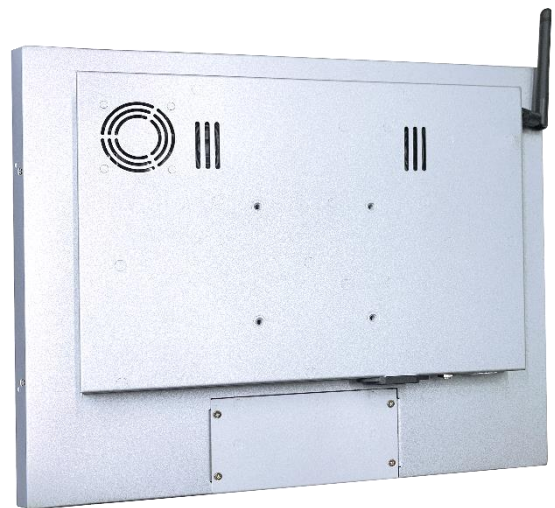
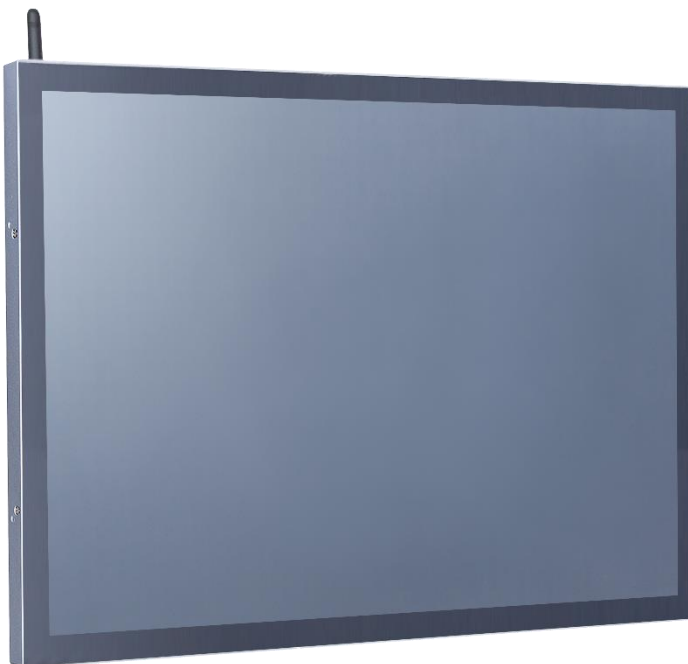
CE



ISO9001



FCC



Desktop Stand



Wall Mounting



Open-frame Bracket



Panel Mount

System Specifications

CPU	Rock Chip ARM Cortex A17 RK3288 Quad-Core 1.8GHz
Memory	DDR3 2G
Storage	8G Flash ROM (Max. to 32G)
GPU Chip	Mali T764 GPU
Sound Chip	ES8316 2 Channel HD Audio
Physical Network	1x GbE Lan port (RJ45)
Wireless Network	IEEE 802.11b/g/n 2.4G WIFI and Blue Tooth v2.1+EDR/V3.0/V3.0+HS/V4.0
OS	Android 10.0

Display Specifications

Screen Diagonal	432mm (17.0 inch)	Display Mode	IAV Type, Normally Black
Display Area	337.9x270.3 mm	Backlight Unit	LED (white LED)
Resolution	1280x1024	Viewing Angle (L/R, U/D)	178°/178°
Contrast Ratio	1000:1	Response Time	25 msec.
Display Ratio	4:3	Backlight Lifetime	> 50,000 Hours
Support Colors	16.7M Colors	Operating Temp.	0~60°C
Pixel Pitch	264x264 um	Storage Temp.	-20~60°C

Display Options

Brightness			
	Brightness	Environment	Model Name
Standard	250nits	General	NTAP170NXSXX-Q2A72F8-XXXX-500
Option 1	1000nits	Outdoor Environment	NTAP170AXSXX-Q2A72F8-XXFX-500
Option 2	1500nits	Sunlight Readable	NTAP170FXSXX-Q2A72F8-XXFX-500

Touch Options

Touch Screen		
	Description	Model Name
Standard	Projected Capacitive Touch	NTAP170XPSXX-Q2A72F8-XXXX-500
Option 1	Resistive Touch	NTAP170X5SXX-Q2A72F8-XXXX-500
Option 2	Non-Touch	NTAP170X0SXX-Q2A72F8-XXXX-500

Projected Capacitive Touch

Touch Technology	Projected Capacitive	Thickness of Cover Lens	2.9±0.2mm
Allowed Touch Points	10 points	Hardness of Cover Lens	7H
Transparency	≥87%	IK Ratings	IK07
Accuracy	99.00%		

Resistive Touch

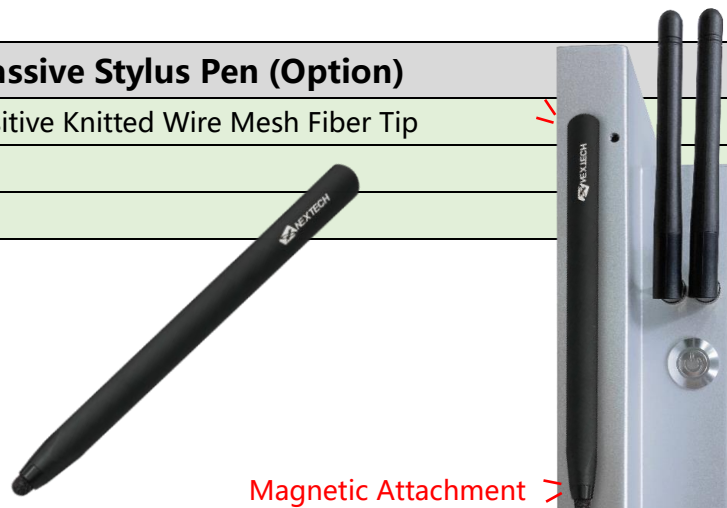
Touch Technology	Resistive Touch	Transparency	80%±5%
Allowed Touch Points	1 point	Surface Treatment	Anti-glare<15%
Precision	98.50%	Hardness	≥3H

Surface Treatment

	Description	Model Name
Standard	(none)	NTAP170XXS00-Q2A72F8-XXXX-500
Option 1	Anti-Glare&UV Coating	NTAP170XXSGG-Q2A72F8-XXXX-500
Option 2	Antibacterial (AB Film)	NTAP170XXSAB-Q2A72F8-XXXX-500
Option 3	Anti-Spy (AS Film)	NTAP170XXSFF-Q2A72F8-XXXX-500

Passive Stylus Pen (Option)

Technology	Passive High Sensitive Knitted Wire Mesh Fiber Tip
Size of tip	6mm
Magnetic Attachment	Yes



System Options

Material of Cabinet		
	Description	Model Name
Standard	SECC	NTAP170XXSXX-Q2A72F8-SXXX-500
Option 1	Stainless Steel	NTAP170XXSXX-Q2A72F8-LXXX-500
Option 2	Aluminum	NTAP170XXSXX-Q2A72F8-AXXX-500

Color of Cabinet		
	Description	Model Name
Standard	Silver	NTAP170XXSXX-Q2A72F8-XSXX-500
Option 1	White	NTAP170XXSXX-Q2A72F8-XWXX-500
Option 2	Black	NTAP170XXSXX-Q2A72F8-XBXX-500
Options	Other Colors	NTAP170XXSXX-Q2A72F8-XXXX-500

* X = A~Z, 0~9 (Depends on Color)

Cooling Fan		
	Description	Model Name
Standard	Fanless	NTAP170XXSXX-Q2A72F8-XX0X-500
Option	7 Blades/4000r.p.m/28.3dB	NTAP170XXSXX-Q2A72F8-XXFX-500

Power Input		
	Description	Model Name
Standard	12VDC-in, with AC/DC Adapter	NTAP170XXSXX-Q2A72F8-XXX2-500
Option	100~240V AC, C14 AC Power Socket	NTAP170XXSXX-Q2A72F8-XXXA-500

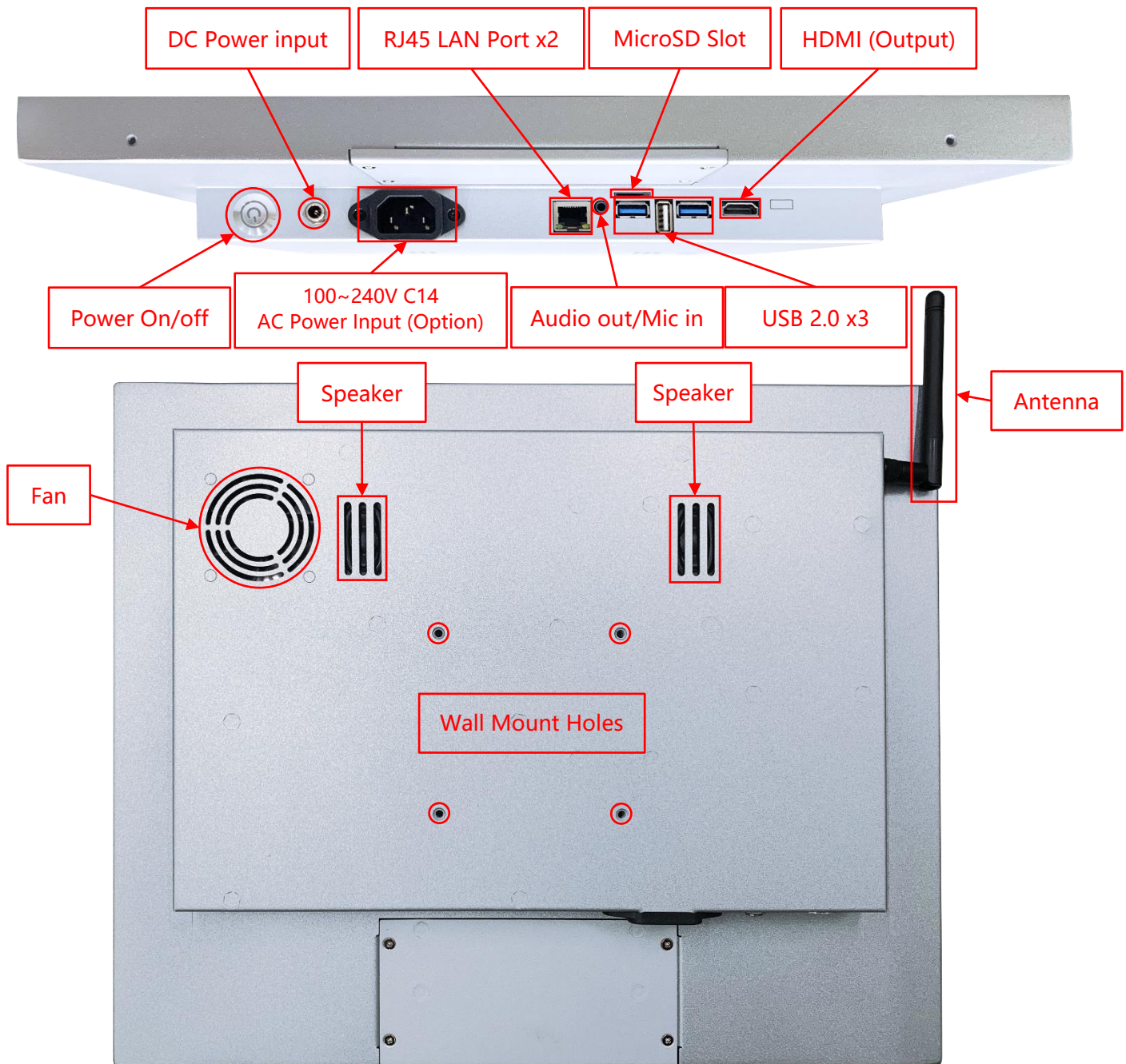


DC-in



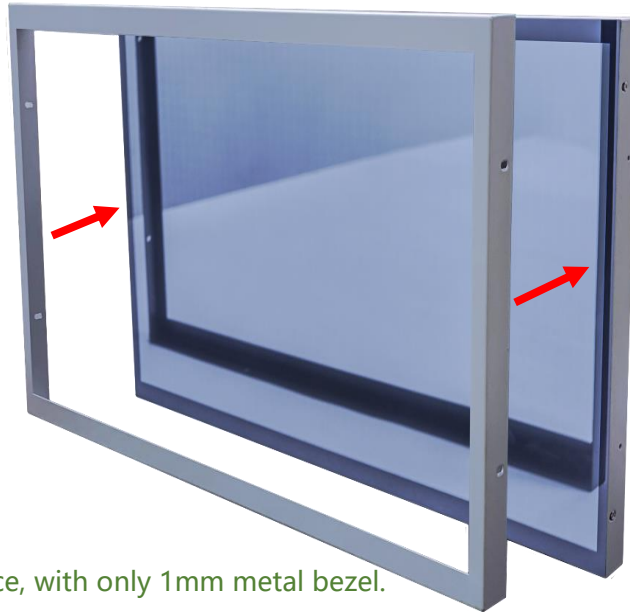
AC-in

Input /Output System



Input / Output	Connectors	Input / Output	Connectors
HDMI (Output)	1	USB 2.0	3
Audio Output /Mic Input (3.5mm)	1	MicroSD Card Slot	1
DC Power Input	1	LAN (RJ45)	1
AC Power Input	Option	Wi-Fi/Bluetooth & Antenna	1
Speakers	2W x2		

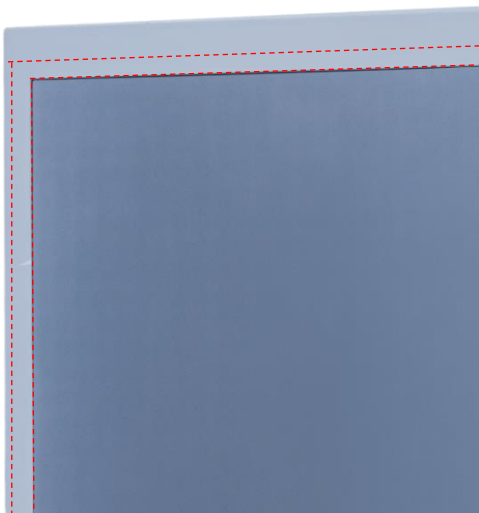
Front Cover (Option)



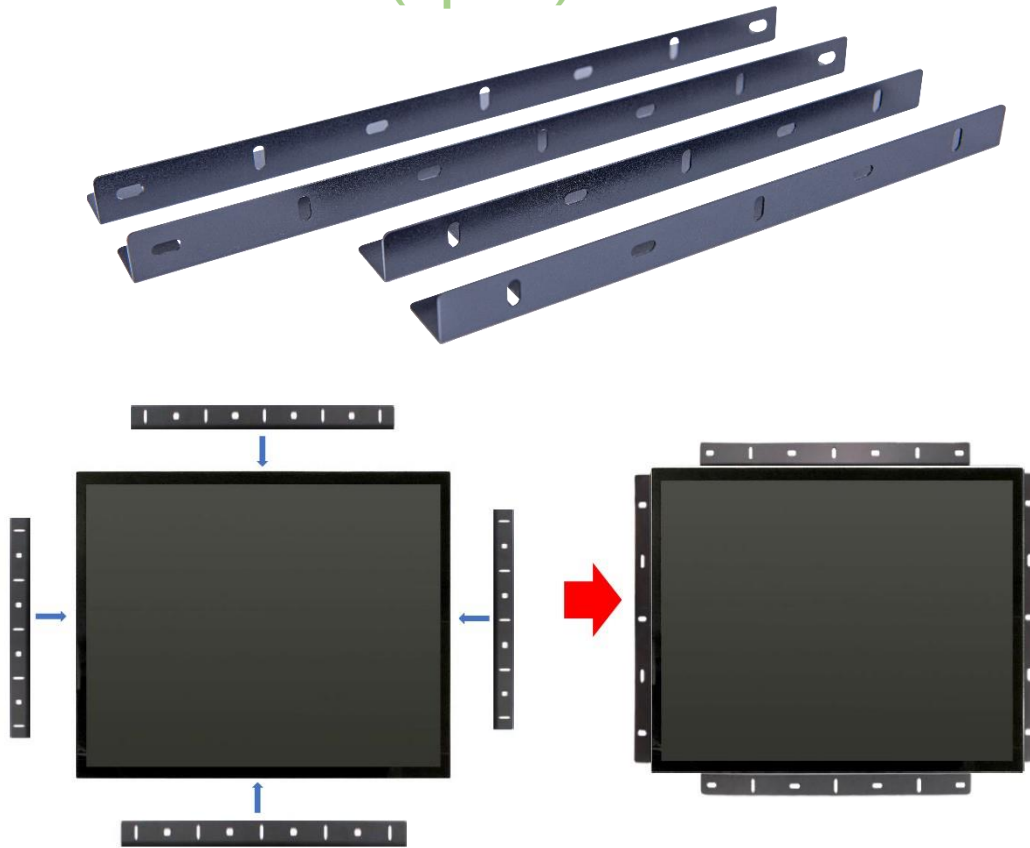
The standard **NTAP170** is true flat surface, with only 1mm metal bezel.
To protect the corners of the touch screen, the **Front Cover** can be added.



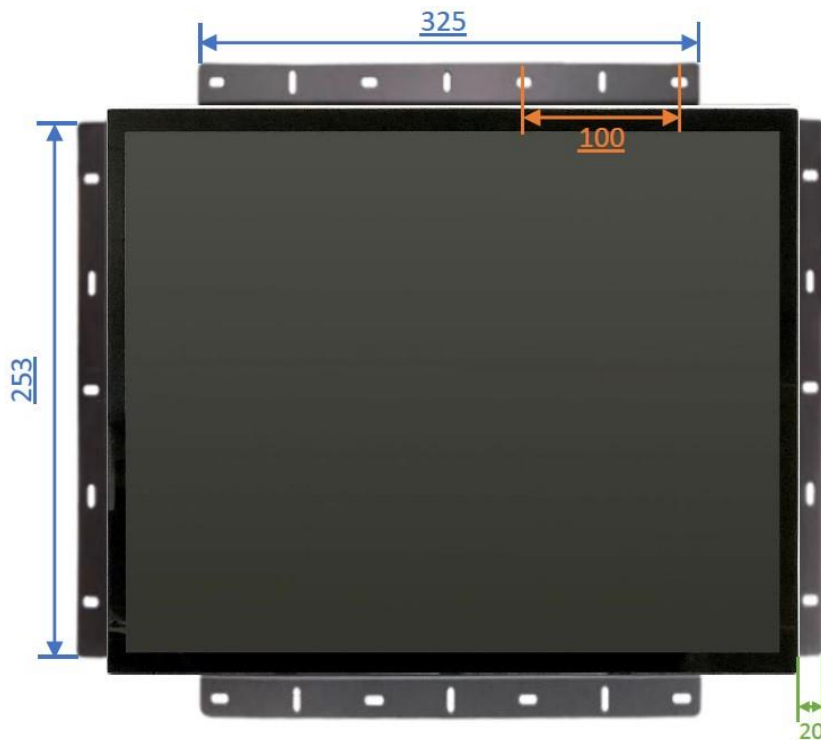
The watertight gasket can be added between the **Front Cover** and **NTAP170**.
It complies **IP65** on front.



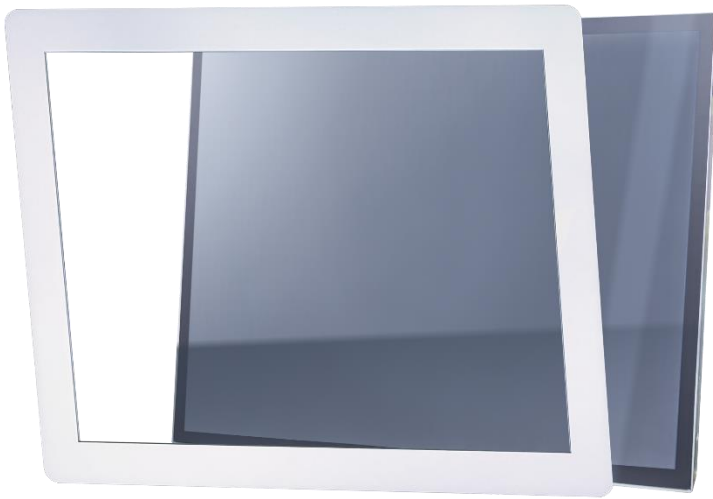
Open-frame Brackets (Option)



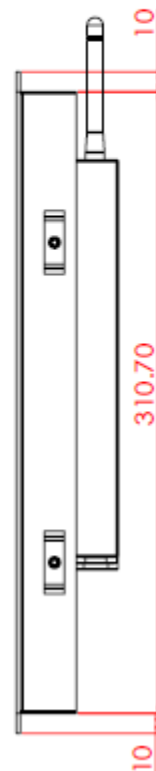
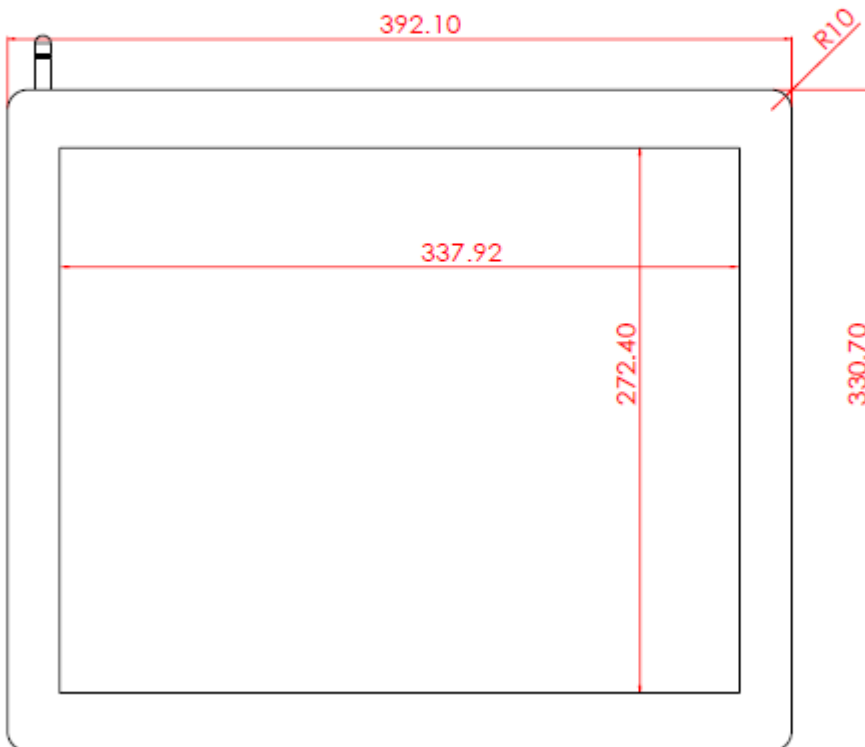
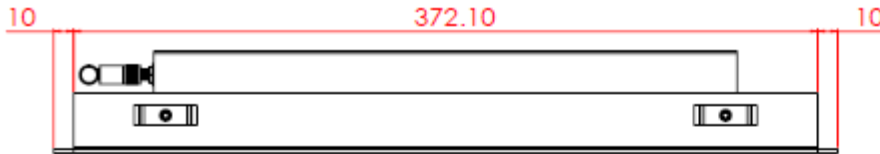
Dimension for Installing with Open-frame Brackets



Panel Mount Kits (Option)

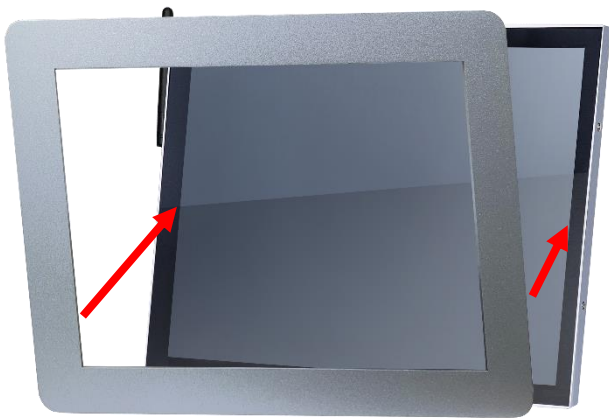


Dimension for Installing with Panel Mount Kit

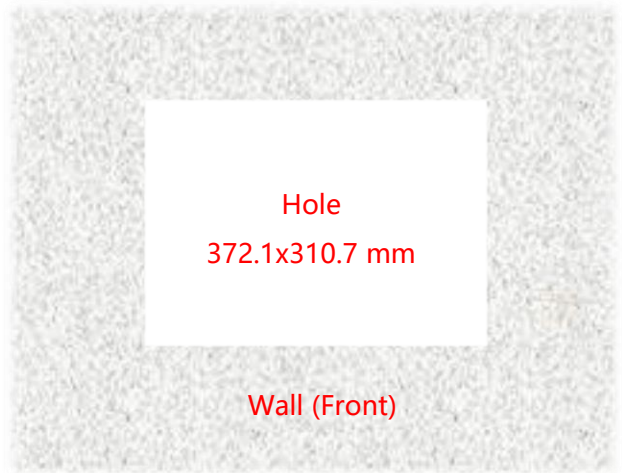


Nextech P Series 17" Android All-in-one Touch PC

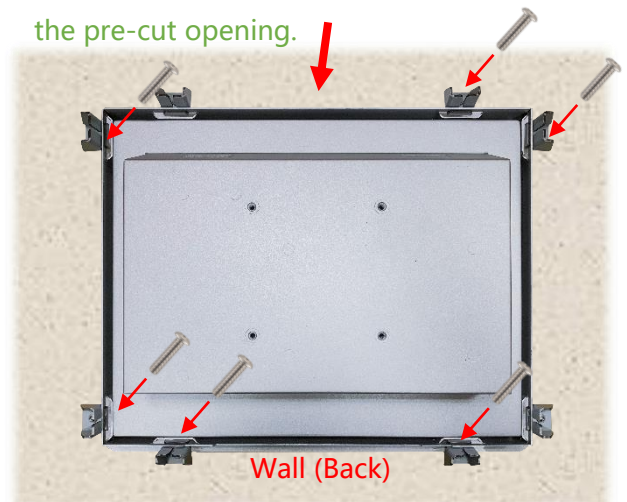
NTAP170-1-Q2 V500



Step 1: Assemble the front module with the screen body. (This step is pre-assembled at the factory.)



Step 2: Insert the screen from the front into the pre-cut opening.



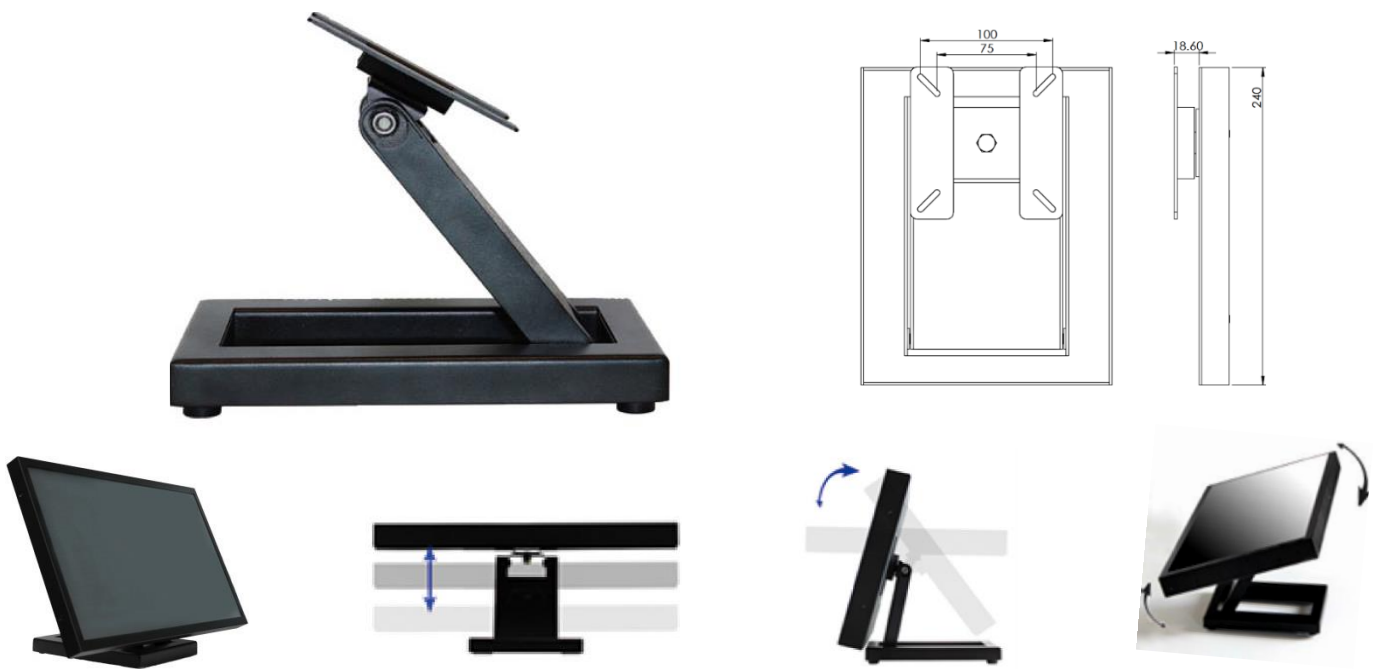
Step 3: Attach the clips from the back and secure with screws. (Up to 8 clips can be installed as needed or per positional limitations.)

Desktop Stand (Option)

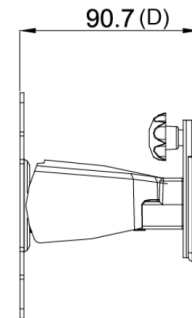
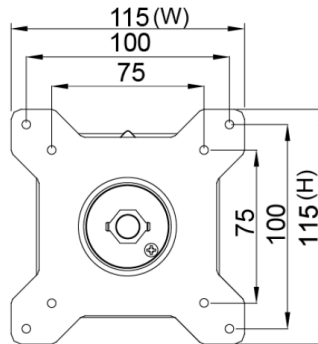
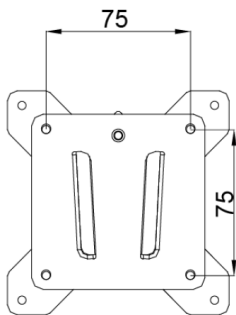
Item	B Stand	Part No.	DST-0B002/DST-1B002
Mounting Pattern	100x100 / 75x75 mm	Dimension (WxHxD)	203x275x227 mm
Material	Steel/Plastic/Aluminum	Net Weight	1.8 KG
Tilt (Hinge)	-2° ~ +180°	Support Max. Weight	15 KG



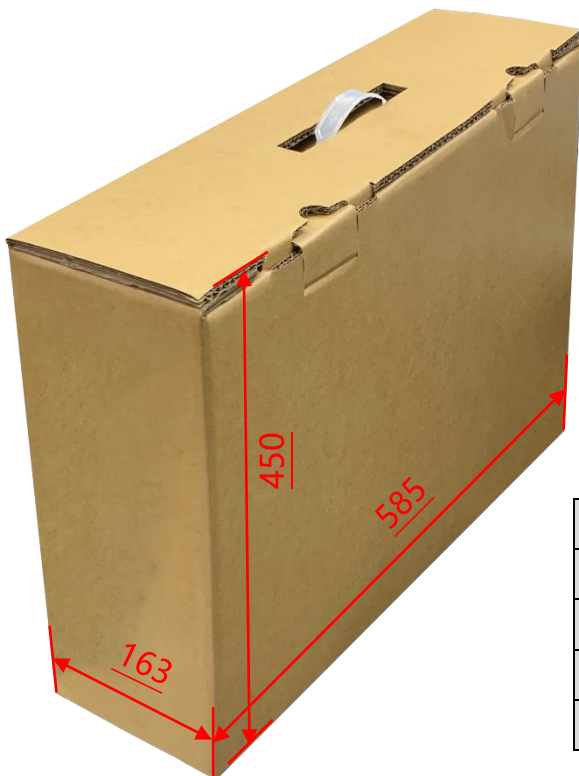
Item	Z Stand	Part No.	DST-0BZ01/DST-1BZ01
Mounting Pattern	100x100 / 75x75 mm	Dimension (WxHxD)	190x240x41.6
Material	SECC	Net Weight	2.6 KG
Tilt (Hinge)	±360°	Support Max. Weight	15 KG



Wall Mount Bracket (Option)



Packing Information



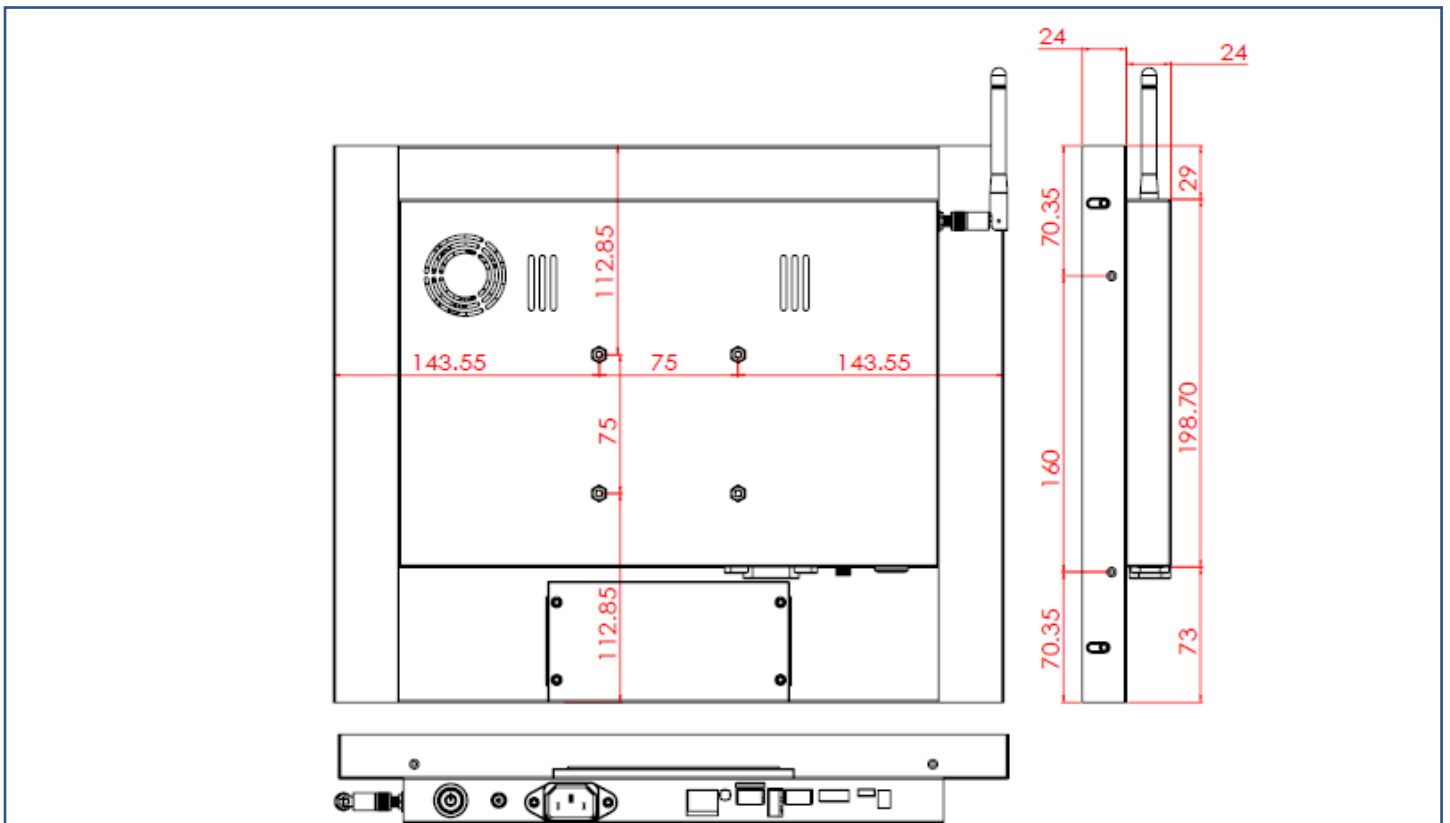
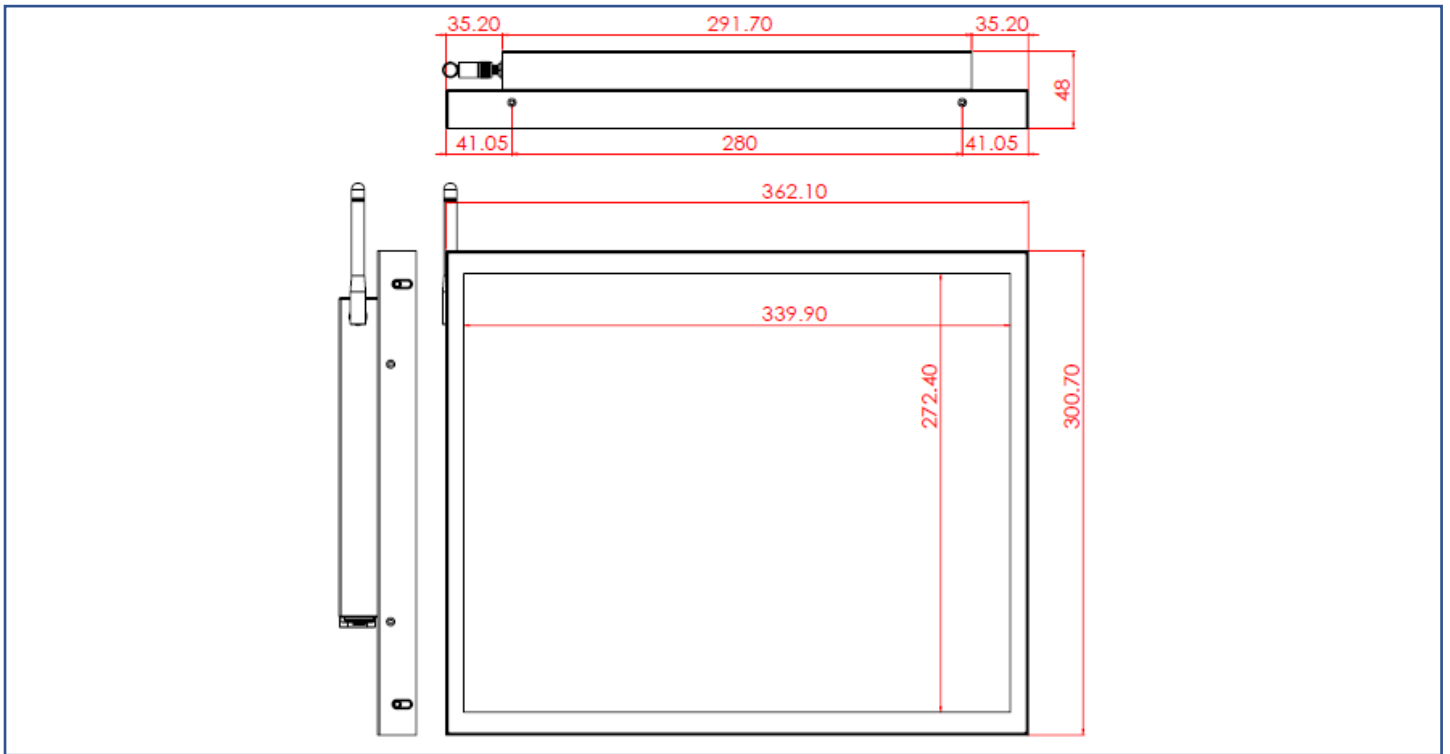
Unit Carton Size	585x163x450 mm
Unit N. Weight	≤3.9 KG
Unit G. Weight	≤4.5 KG
Units per Pallet	36 units
Pallet Size	120x100x147 CM

Nextech P Series 17" Android All-in-one Touch PC

NTAP170-1-Q2 V500

Physical Specifications

Dimension	301x362x48(±2)mm (W/O Antenna)	Net Weight	≤3.9 KG
VESA Mounting	75x75 mm	Gross Weight	≤4.5 KG



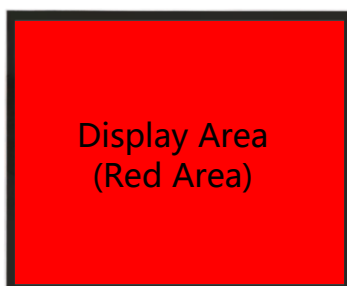
Cosmetic Inspection Standard

Display Area Allowance			
Defect description	Defective Specifications	Allowance	Remarks
Dot Defect (including dark dot, particles, bubbles, pits, dust, foreign matter)	$D \leq 0.2\text{mm}$	Ignored	D=Diameter
	$0.2 < D \leq 0.7\text{mm}$	$N \leq 5$	N=Quantity
	$0.7 < D \leq 1\text{mm}$	$N \leq 3$	
	$D > 1\text{mm}$	$N \leq 0$	
Linear Defect (including scratches, fluff, particles)	$W \leq 0.15\text{mm}$	Ignored	W=Width
	$0.15 < W \leq 0.5\text{mm}, L \leq 15\text{mm}$	$N \leq 2$	L=Length
	$W > 0.5\text{mm}$ or $L > 15\text{mm}$	NG	

* Visual inspection distance: 60cm, 90 degree (same for front/side/back)

Front Appearance Allowance (Including Coating)			
Defect description	Defective Specifications	Allowance	Remarks
Dot Defect (including particles, bubbles, pits...etc.)	$D \leq 0.7\text{mm}$	Ignored	D=Diameter
	$0.7 < D \leq 1.5\text{mm}$	$N \leq 3$	N=Quantity
	$D > 1.5\text{mm}$	$N \leq 0$	
Linear Defect (including scratches, fluff, particles)	$W \leq 0.2\text{mm}, L \leq 15\text{mm}$	Ignored	W=Width, L=Length
	$0.2 < W \leq 0.7\text{mm}, L \leq 15\text{mm}$	$N \leq 1$	
	$W > 0.7\text{mm}$ or $L > 15\text{mm}$	NG	

Side / Back Appearance Allowance (Including Coating)			
Defect description	Defective Specifications	Allowance	Remarks
Dot Defect (including particles, bubbles, pits...etc.)	$D \leq 1.5\text{mm}$	Ignored	D=Diameter
	$1.5 < D \leq 3\text{mm}$	$N \leq 8$	N=Quantity
	$D > 3\text{mm}$	$N \leq 2$	
Linear Defect (including scratches, fluff, particles)	$W \leq 0.8\text{mm}, L \leq 15\text{mm}$	Ignored	W=Width, L=Length
	$0.8 < W \leq 1.5\text{mm}, L \leq 15\text{mm}$	$N \leq 5$	
	$W > 1.5\text{mm}$ or $L > 15\text{mm}$	NG	



Display Area
(Red Area)



Front Appearance (Red Area)



Back Appearance