



Product Specifications

Customer	
Model	NTAP215 <u>XX</u> -2 <u>XEXXAX</u> -400*
Name	NTAP215 V400

* X = A~Z, 0~9 (Depends on Options.)



Records of Revision			
Vision	Modifying	Old Description	New Description
v1810.1	Frist Vision		
v1810.2	Format Updated		
v1810.3	Format Updated		
v1810.4	1. Add Antibacterial Film Option 2. Add Color Options		

Features

- ★ 21.5" , 16:9/1920x1080 (FHD) Resolution
- ★ VA Wide Viewing Angle Technology (178°/178°)
- ★ ARM Cortex A53 CPU
- ★ Android 5.1
- ★ True Flat Projected Capacitive Touch Screen
- ★ 7H Hardness Tempered Cover Glass
- ★ 10 points Multi-touch , Supports Active Stylus
- ★ Metal Cabinet with Diverse Combine Options
- ★ Made in Taiwan, 3 Years Warranty
- ★ Designed for Harsh Environments
- ★ Optional High Brightness/Sunlight Readable
- ★ Optional AG/AR/AF/AS Film
- ★ **Optional Antibacterial Film Option, disinfects 99.99% of Harmful Bacteria**



Side Brackets



Desktop Stand



Wall Mounting



System Specifications

CPU	64bit Octa-core ARM CORTEX-A53 1.5GHz
Memory	DDR3 2G
Storage	eMMC 8G, Max. Support 32G
GPU Chip	PowerVR SXG6110
Sound Chip	Realtek ALC662 Audio CODEC
Network	RJ45 10/100 Mbps, WIFI 802.11b/g/n
Power Input	12V DC

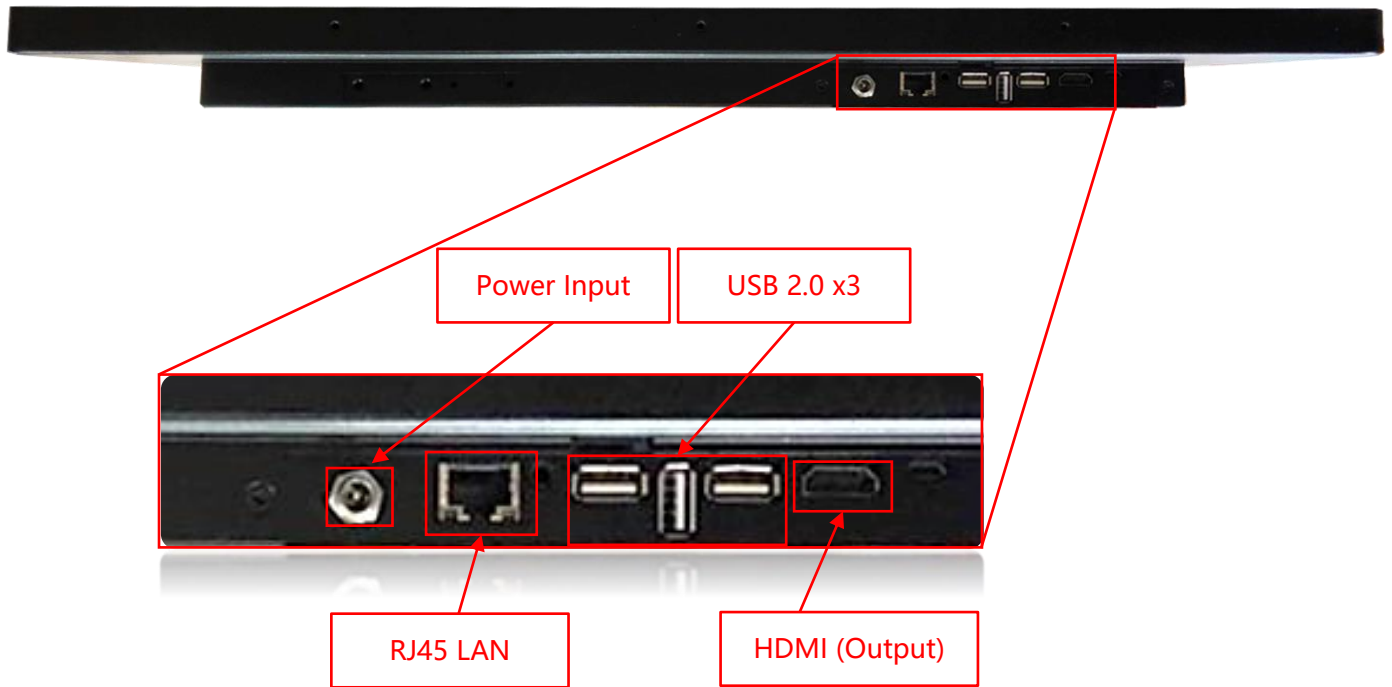
System Options

Cabinet		
	Description	Model Name
Standard	Galvanized steel (SECC)	NTAP215XX-2XESXAX-400
Option 1	Stainless Steel	NTAP215XX-2XELXAX-400
Option 2	Aluminum	NTAP215XX-2XEAAXAX-400

Color of Cabinet		
	Description	Model Name
Standard	Black	NTAP215XX-2BEXXAX-400
Option 1	Sliver	NTAP215XX-2SEXAX-400
Option 2	White	NTAP215XX-2WEXXAX-400
Options	Other Color	NTAP215XX-2XEXXAX-400

* X = A~Z, 0~9 (Depends on Color)

Input /Output System



Input / Output	Connectors	Input / Output	Connectors
HDMI (Output)	1	DC Power Input	1
USB 2.0	3	Speakers	2W x2
LAN (RJ45)	1		



Display Specifications

Screen Diagonal	546.21mm (21.5 inch)	Display Mode	VA mode, Normally Black
Display Area	476.1x267.8 mm	Backlight Unit	LED (white LED)
Resolution	1920x1080 (FHD)	Viewing Angle (L/R, U/D)	178°/178° (CR=10)
Contrast Ratio	3000:1	Backlight Lifetime	30000 Hours
Display Ratio	16:9	Operating Temp.	0~50°C
Support Color	16.7M Colors	Storage Temp.	-20~60°C
Pixel Pitch	247.95x247.95 um	Surface Treatment	Anti-glare, Hardness 3H
Response Time	18 msec.		

Display Options

Brightness			
	Brightness	Environment	Model Name
Standard	250nits	General (Indoor Environment)	NTAP215NX-2XEXXAX-400
Option 1	1000nits	Outdoor Environment	NTAP215AX-2XEXXAX-400
Option 2	1500nits	Sunlight Readable	NTAP215FX-2XEXXAX-400

Touch Specifications

Touch Technology	Projected Capacitive	Transparency	≥87%
Allowed Touch Points	10 points	Accuracy	99.00%
Hardness of Cover Lens	7H	Thickness of Cover Lens	2.8±0.2mm



Touch Options

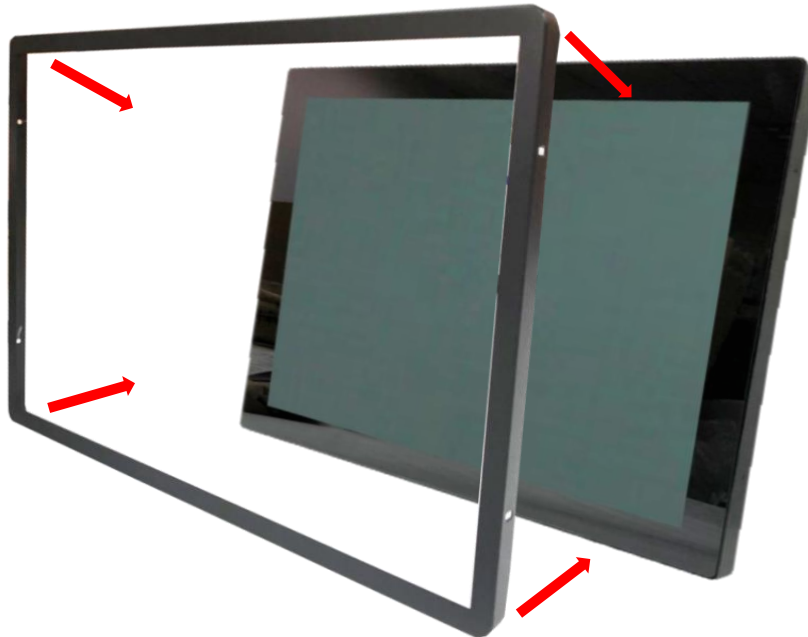
Active Stylus Option	
Technology	Active Capacitive Coupled
Working Frequencies	90~250 KHZ
Pressure Level	256~1024 Levels
Side Buttons	2 Side Buttons (Eraser, Barrel)
Active Tip Force	5~25g
Max. Tip Force	400g



Surface Film Options	
Standard	(none)
Option	Antibacterial (AB Film)
Option	Anti-Glare (AG Film)
Option	Anti-Reflective (AR Film)
Option	Anti-Fouling/Fingerprint (AFP Film)
Option	Anti-Spy (AS Film)
Option	UV-Cut (UV Film)



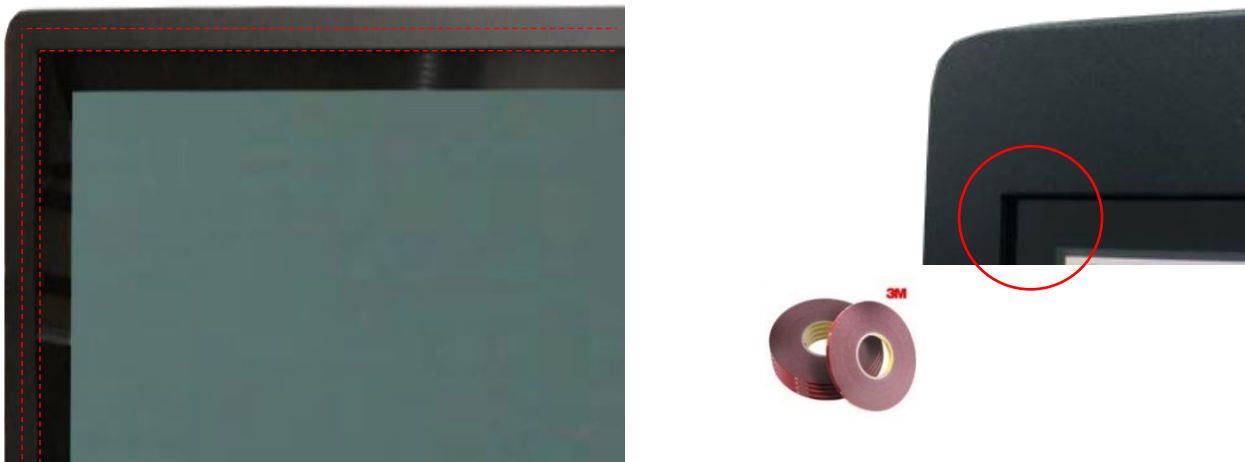
Optional Accessories (Front Cover)



The standard **NTAP215** is true flat surface, with only 1mm metal bezel.
To protect the corners of the touch screen, the **Front Cover** can be added.

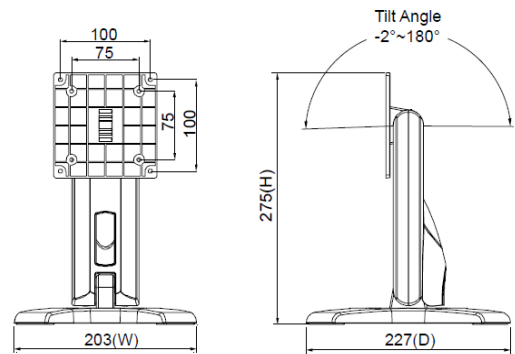


The watertight gasket can be added between the **Front Cover** and **NTAP215**.
It complies IP65 on front.

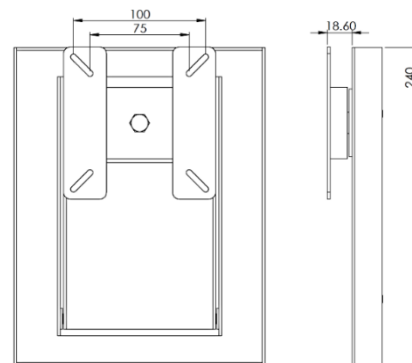


Optional Accessories (Desktop Stand)

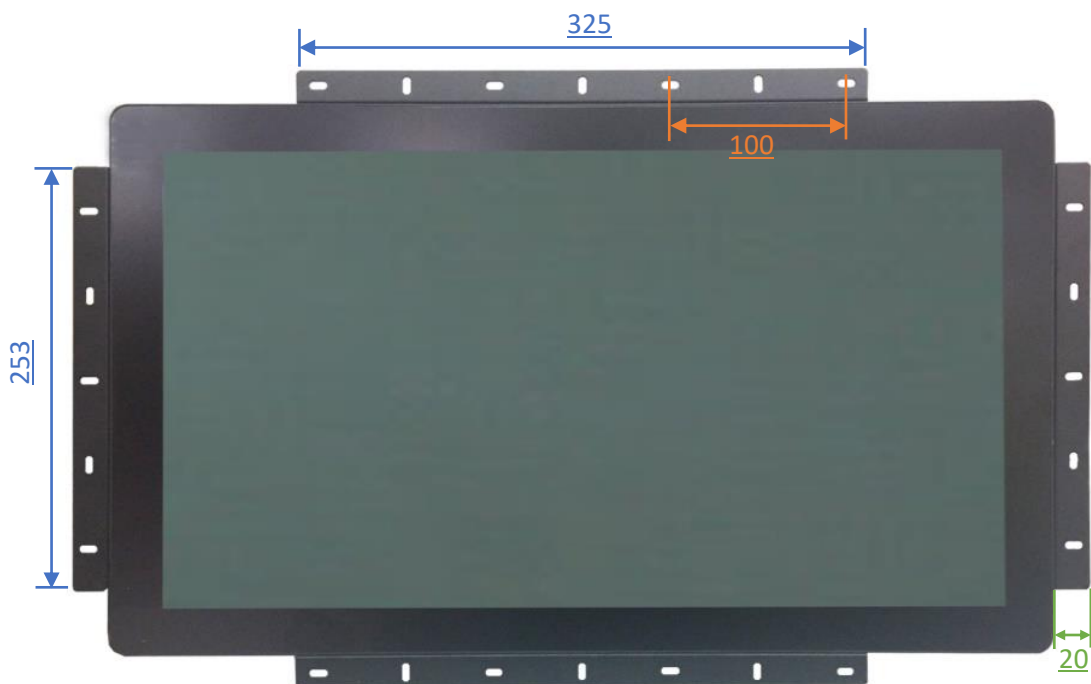
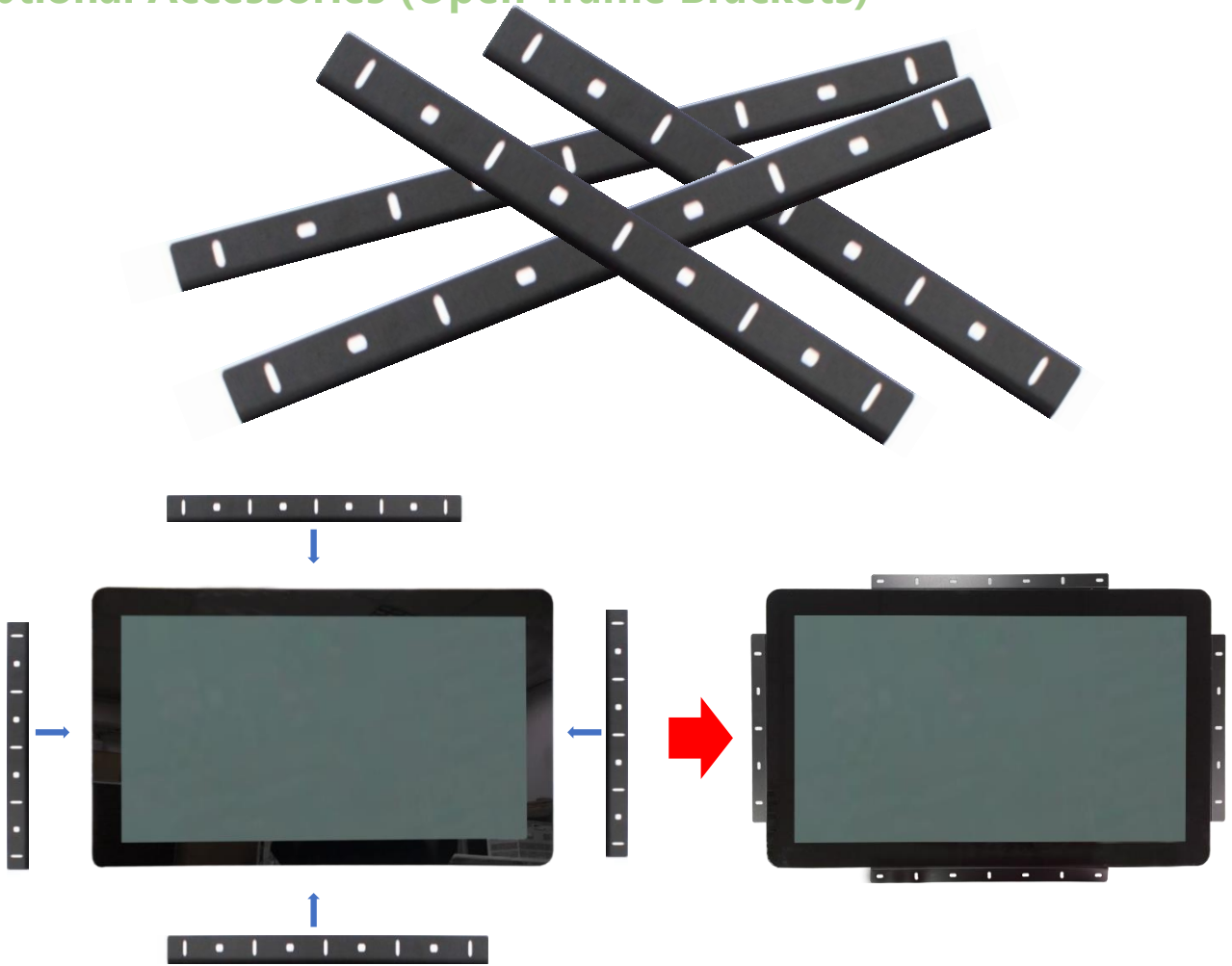
Item	B Stand	Part No.	DST-0B002/DST-1B002
Mounting Pattern	100x100 / 75x75 mm	Dimension (WxHxD)	203x275x227 mm
Material	Steel/Plastic/Aluminum	Net Weight	1.8 KG
Tile (Hinge)	-2° ~+180°	Support Max. Weight	15 KG



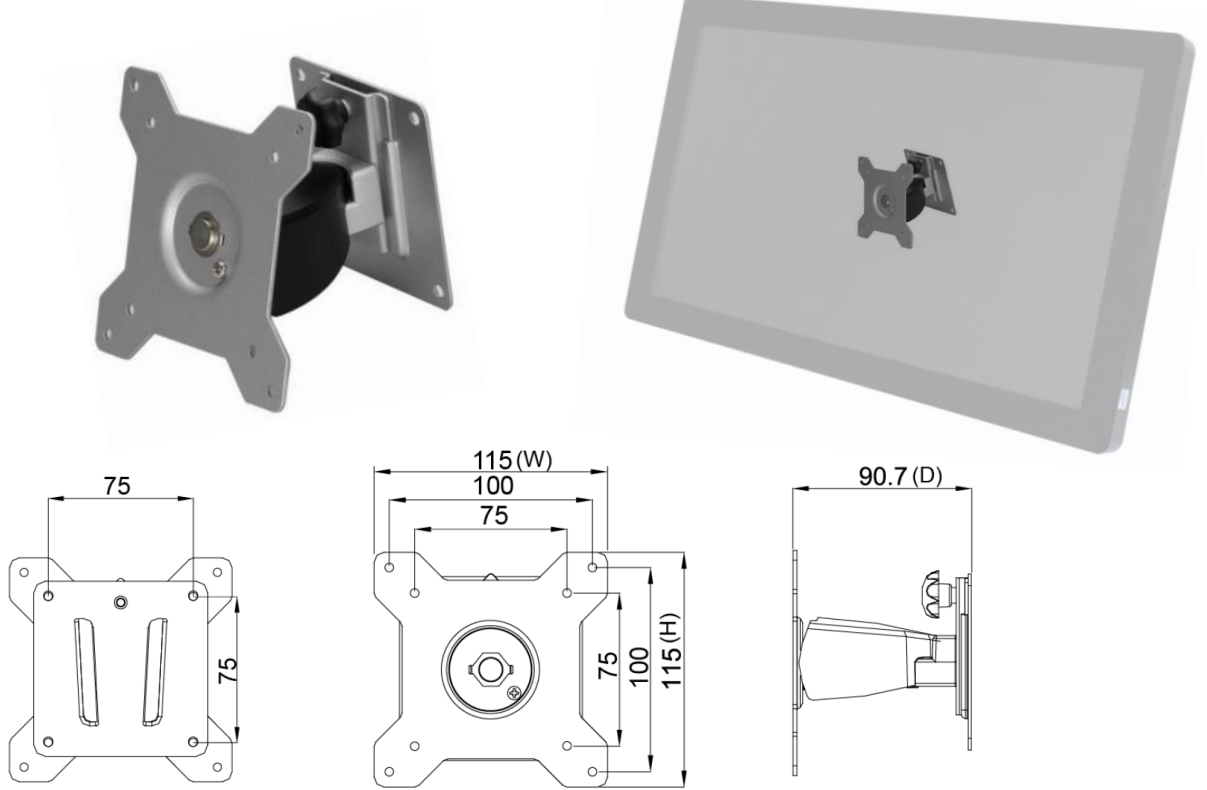
Item	Z Stand	Part No.	DST-0BZ01/DST-1BZ01
Mounting Pattern	100x100 / 75x75 mm	Dimension (WxHxD)	190x240x41.6
Material	SECC	Net Weight	2.6 KG
Tile (Hinge)	±360°	Support Max. Weight	15 KG



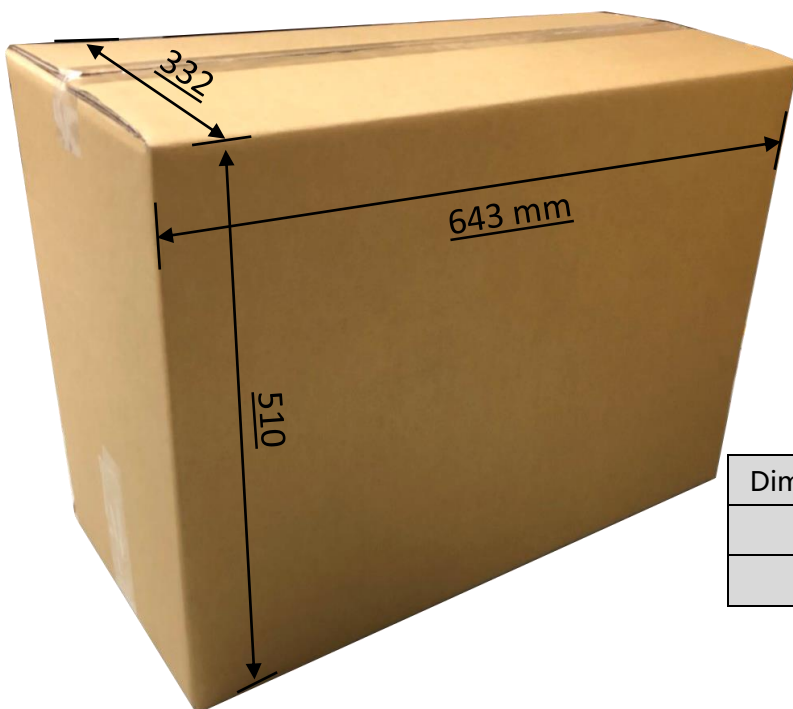
Optional Accessories (Open-frame Brackets)



Optional Accessories (Wall Mount Bracket)



Packing Information



Dimensions of Carton	643x510x332 mm
Net Weight	≅ 6.3 KG
Gross Weight	≅ 9.2 KG

Optional Accessories (Desktop Stand or Arm)



- 273x180x265 mm
 - 1.07 KG
 - Support 12 KG



- 620x556x123 mm
 - 3 KG
 - Support 10 KG



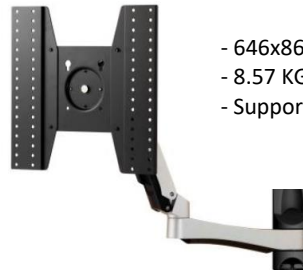
- 250x192x445 mm
 - 1.4 KG
 - Support 12 KG



- 655x858.5x563 mm
 - 7.56 KG
 - Support 30 KG



- 158x403x144 mm
 - 2.12 KG
 - Support 12 KG



- 646x861x953.5 mm
 - 8.57 KG
 - Support 30 KG



- 423x403x240 mm
 - 1.91 KG
 - Support 12 KG



- 1300x403x307 mm
 - 5.3 KG
 - Support 8 KG (2.7 KG Each)



- 715x393x144 mm
 - 3.68 KG
 - Support 12 KG (6 KG Each)

