



Product Specifications

Customer	
Model	NTAP240 <u>XX</u> -2 <u>XEXXAX</u> -001*
Name	NTAP240 V001

* X = A~Z, 0~9 (Depends on Options.)



Records of Revision			
Vision	Modifying	Old Description	New Description
v1908.1	Preliminary specification		
v1908.2	Dimensions/Outward Updated		
v1908.3	Replace the Wall Mount		

Features

- ★ 24" , 16:9/1920x1080 (FHD) Resolution
- ★ ARM Cortex A53 CPU
- ★ Android 5.1
- ★ True Flat Projected Capacitive Touch Screen
- ★ 7H Hardness Tempered Cover Glass
- ★ 10 points Multi-touch , Supports Active Stylus
- ★ Metal Cabinet with Diverse Combine Options
- ★ Made in Taiwan, 3 Years Warranty
- ★ Designed for Harsh Environments
- ★ Optional High Brightness/Sunlight Readable
- ★ Optional AG/AR/AF Film
- ★ **Optional Antibacterial Film Option, disinfects 99.99% of Harmful Bacteria**



Side Brackets



Desktop Stand

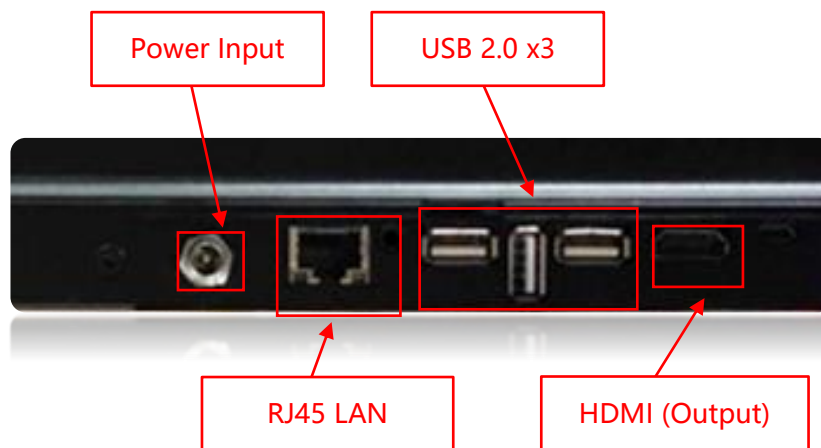


Wall Mounting

System Specifications

CPU	64bit Octa-core ARM CORTEX-A53 1.5GHz
Memory	DDR3 2G
Storage	eMMC 8G, Max. Support 32G
GPU Chip	PowerVR SXG6110
Sound Chip	Realtek ALC662 Audio CODEC
Network	RJ45 10/100 Mbps, WIFI 802.11b/g/n
Power Input	12V DC

Input /Output System



System Options

Cabinet		
	Description	Model Name
Standard	Galvanized steel (SECC)	NTAP240XX-2XESXAX-001
Option 1	Stainless Steel	NTAP240XX-2XELXAX-001
Option 2	Aluminum	NTAP240XX-2XEAAXAX-001



Display Specifications

Screen Diagonal	609.7mm (24.0 吋)	Display Mode	TN, Normally White
Display Area	531.36x298.89 mm	Backlight Unit	LED (white LED)
Resolution	1920x1080 (FHD)	Viewing Angle (L/R, U/D)	170°/160° (CR=10)
Contrast Ratio	1000:1	Backlight Lifetime	30000 Hours
Display Ratio	16:9	Operating Temp.	0~50°C
Support Color	16.7M Colors	Storage Temp.	-20~60°C
Pixel Pitch	276.75x276.75 um	Surface Treatment	Anti-glare, Hardness 3H
Response Time	5 msec.		

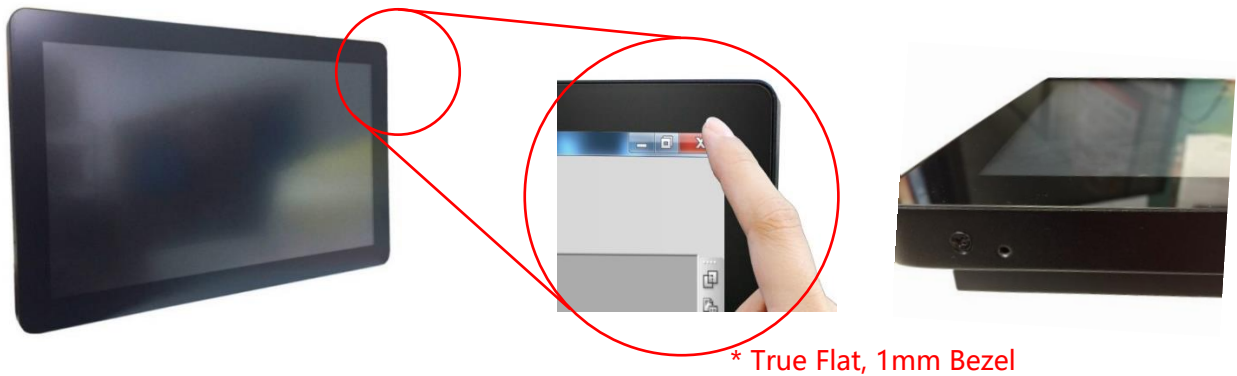
Display Options

Brightness			
	Brightness	Environment	Model Name
Standard	250nits	General (Indoor Environment)	NTAP240<u>N</u>X-2XEXXAX-001
Option 1	600nits	High Brightness	NTAP240 <u>6</u> X-2XEXXAX-001
Option 2	1000nits	Outdoor Environment	NTAP240 <u>A</u> X-2XEXXAX- <u>011</u>
Option 3	1500nits	Sunlight Readable	NTAP240 <u>F</u> X-2XEXXAX- <u>011</u>

* Check the data sheet NTAP240 V011

Touch Specifications

Touch Technology	Projected Capacitive	Transparency	≥87%
Allowed Touch Points	10 points	Accuracy	99.00%
Hardness of Cover Lens	7H	Thickness of Cover Lens	2.9±0.2mm



Touch Options

Active Stylus	
Technology	Active Capacitive Coupled
Working Frequencies	90~250 KHZ
Pressure Level	256~1024 Levels
Side Buttons	2 Side Buttons (Eraser, Barrel)
Active Tip Force	5~25g
Max. Tip Force	400g

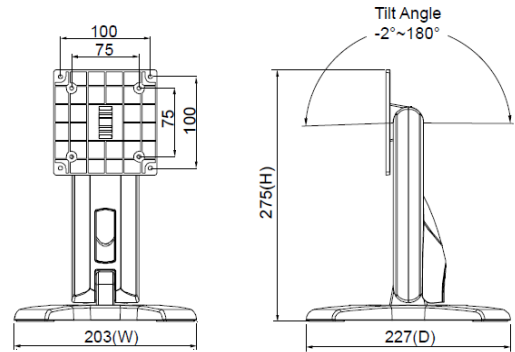


Surface Film	
Standard	(none)
Option	Anti-Glare (AG Film)
Option	Anti-Reflective (AR Film)
Option	Anti-Fouling/Fingerprint (AFP Film)
Option	Anti-Spy (AS Film)
Option	UV-Cut (UV Film)

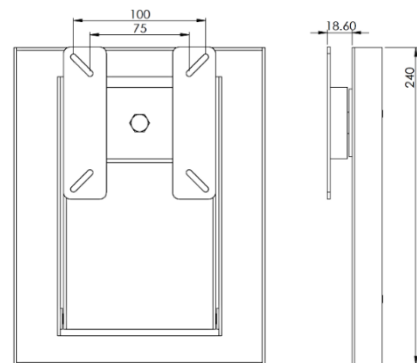


Optional Accessories (Desktop Stand)

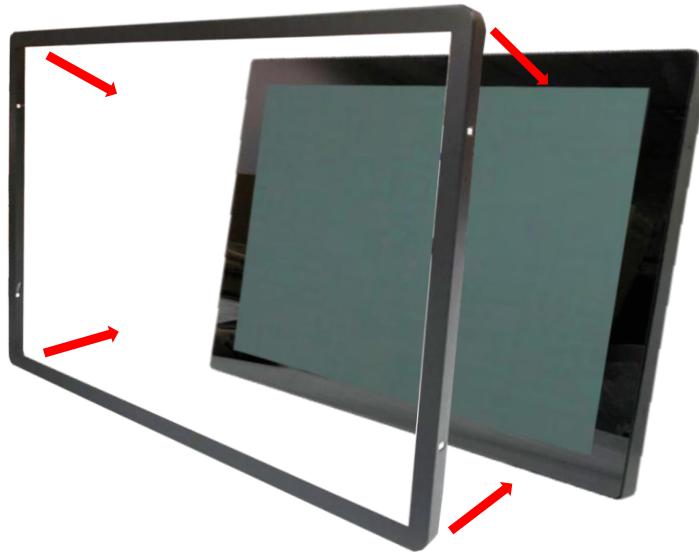
Item	B Stand	Part No.	DST-0B001/DST-1B001
Mounting Pattern	100x100 / 75x75 mm	Dimension (WxHxD)	203x275x227 mm
Material	Steel/Plastic/Aluminum	Net Weight	1.8 KG
Tile (Hinge)	-2° ~+180°	Support Max. Weight	15 KG



Item	Z Stand	Part No.	DST-0BZ01/DST-1BZ01
Mounting Pattern	100x100 / 75x75 mm	Dimension (W/H/D)	190x240x41.6
Material	SECC	Net Weight	2.6 KG
Tile (Hinge)	±360°	Support Max. Weight	15 KG



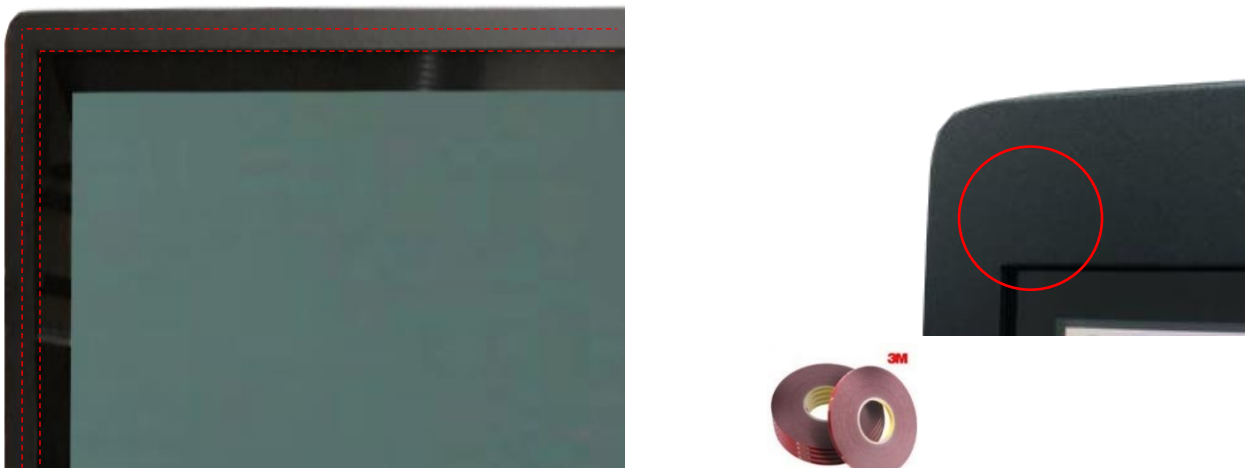
Optional Accessories (Front Cover)



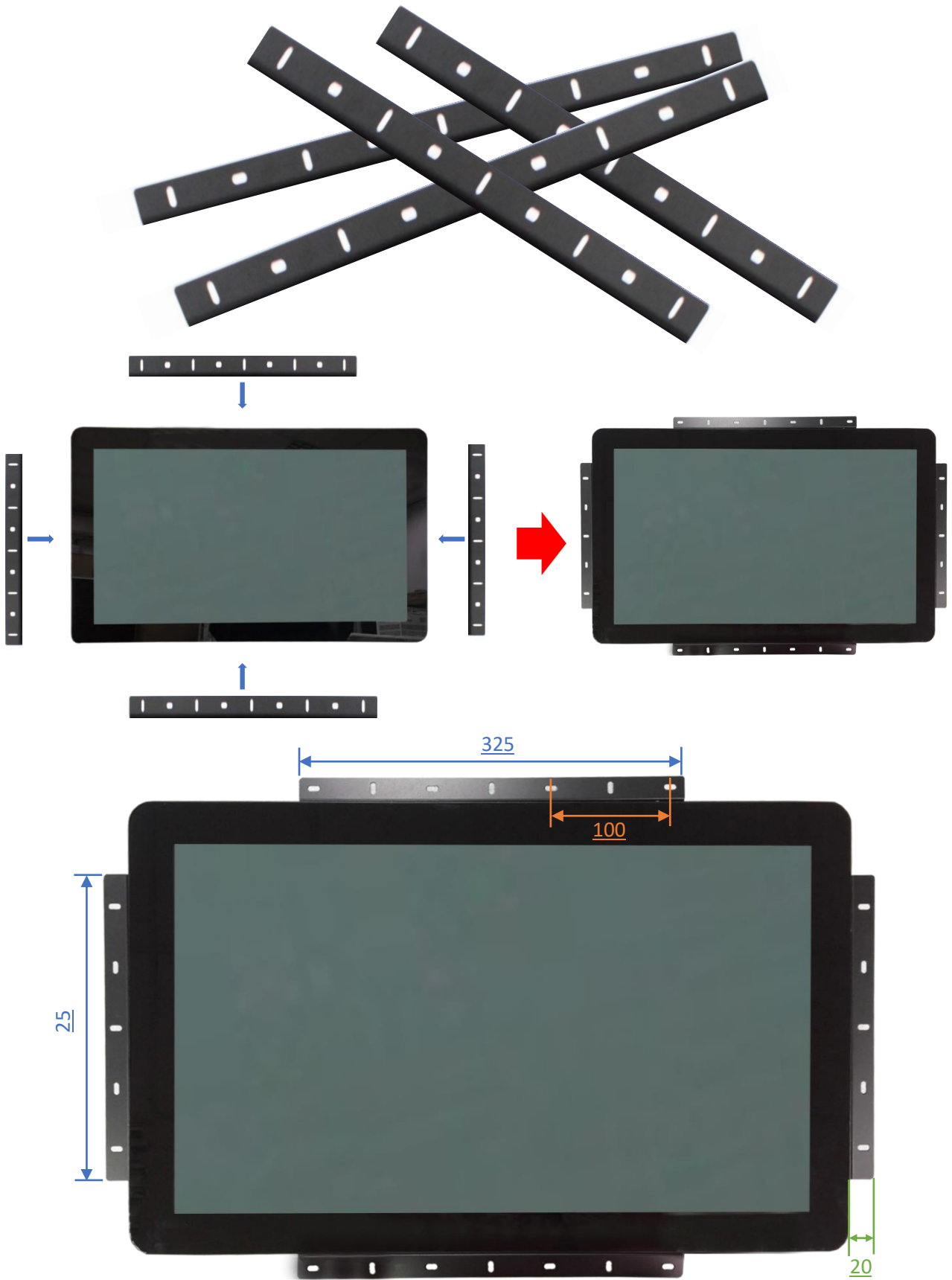
The standard **NTAP240** is true flat surface, with only 1mm metal bezel.
To protect the corners of the touch screen, the **Front Cover** can be added



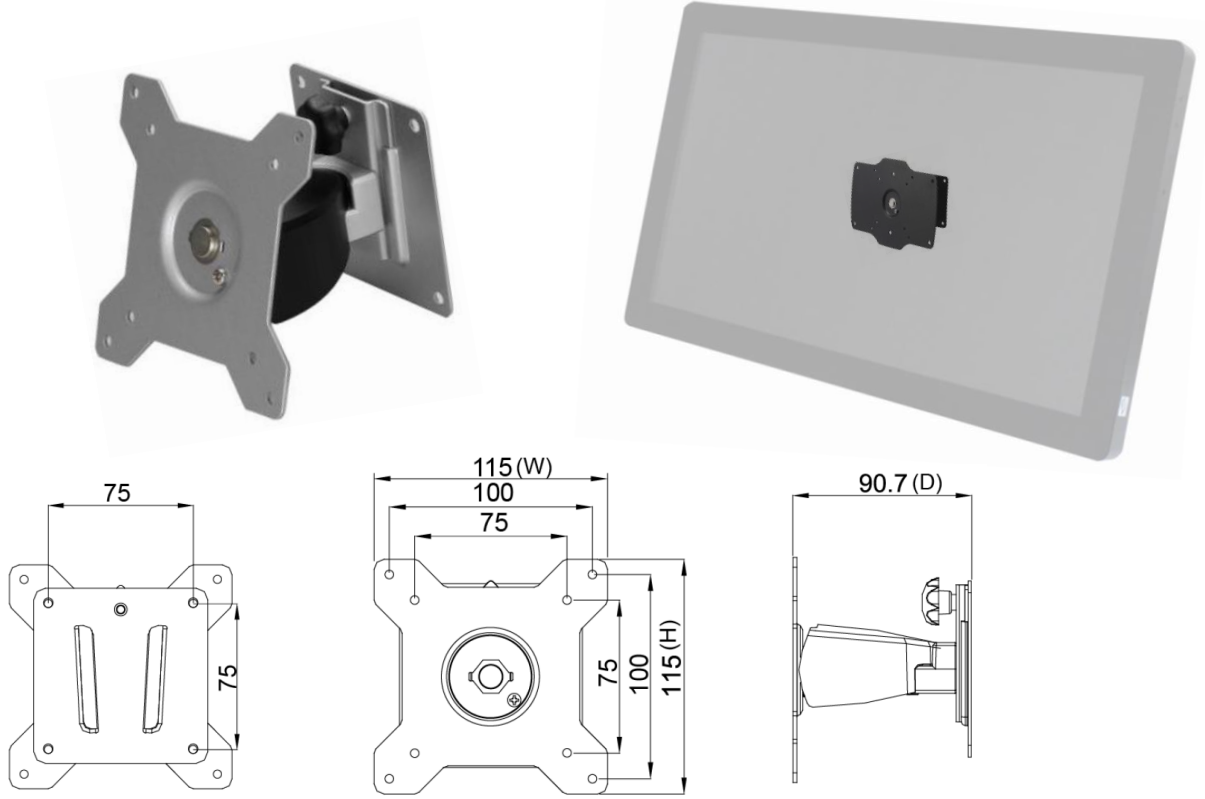
The watertight gasket can be added between the **Front Cover** and **NTAP240**.
It complies IP65 on front.



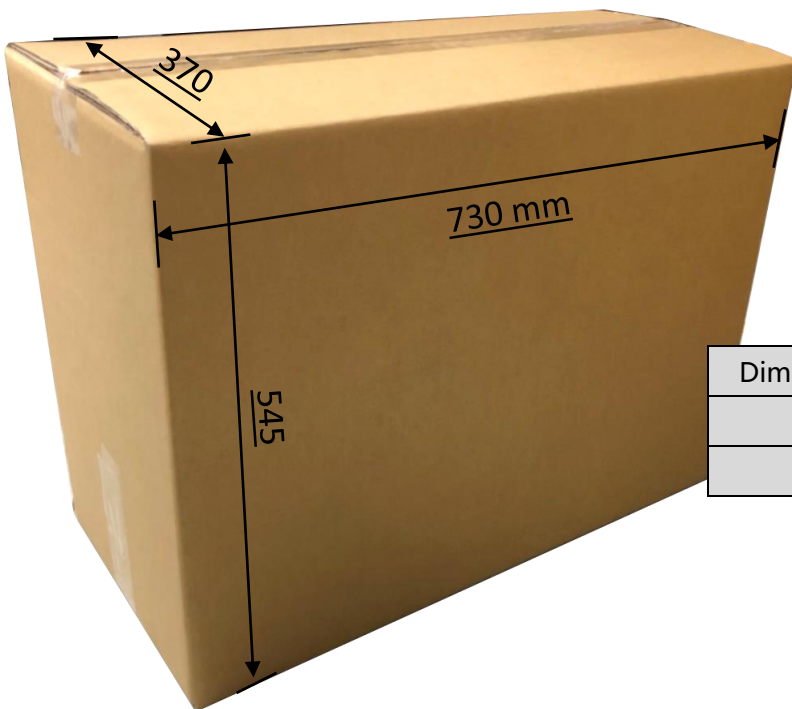
Optional Accessories (Open-frame Brackets)



Optional Accessories (Wall Mount Bracket)



Packing Information



Dimensions of Carton	730x545x370 mm
Net Weight	≤7.5 KG
Gross Weight	≤10.5 KG

Optional Accessories (Desktop Stand or Arm)



- 273x180x265 mm
- 1.07 KG
- Support 12 KG



- 620x556x123 mm
- 3 KG
- Support 10 KG



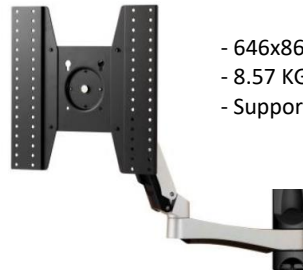
- 250x192x445 mm
- 1.4 KG
- Support 12 KG



- 655x858.5x563 mm
- 7.56 KG
- Support 30 KG



- 158x403x144 mm
- 2.12 KG
- Support 12 KG



- 646x861x953.5 mm
- 8.57 KG
- Support 30 KG



- 423x403x240 mm
- 1.91 KG
- Support 12 KG



- 1300x403x307 mm
- 5.3 KG
- Support 8 KG (2.7 KG Each)



- 715x393x144 mm
- 3.68 KG
- Support 12 KG (6 KG Each)

