

# Product Specifications

<b>Customer</b>	
<b>Model</b>	NTAP240 <u>XX</u> -4 <u>XG</u> <u>XX</u> <u>BX</u> -001*
<b>Name</b>	NTAP240 V001

\* X = A~Z, 0~9 (Depends on Options.)



Records of Revision			
Vision	Modifying	Old Description	New Description
v1908.1	Preliminary specification		
v1908.2	Dimensions/Outward Updated		
v1908.3	Revise Specifications of Memory	2G	4G
v1908.4	<b>Replace the Wall Mount</b>		

## Features

- ★ 24" 16:9/1920x1080 (FHD) Resolution
- ★ Quad Core ARM Cortex A72+A53 CPU
- ★ Android 7.1
- ★ True Flat Projected Capacitive Touch Screen
- ★ 7H Hardness Tempered Cover Glass
- ★ 10 points Multi-touch , Supports Active Stylus
- ★ Metal Cabinet with Diverse Combine Options
- ★ Made in Taiwan, 3 Years Warranty
- ★ Designed for Harsh Environments
- ★ Optional High Brightness/Sunlight Readable
- ★ Optional AG/AR/AF Film
- ★ **Optional Antibacterial Film Option, disinfects 99.99% of Harmful Bacteria**



Side Brackets



Desktop Stand

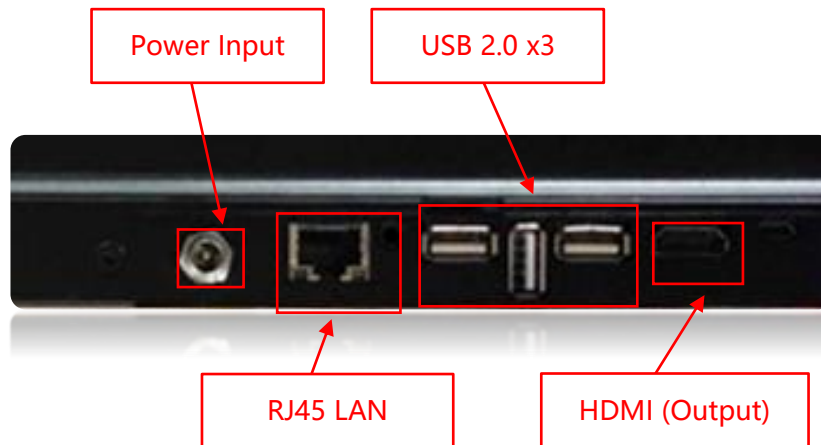


Wall Mounting

## System Specifications

CPU	Dual Core ARM Cortex-A72 +Cortex-A53 up to 2.0GHz
Memory	DDR3 4G
Storage	eMMC 16G, Max. Support 32G
GPU Chip	Mali-T864 GPU
Sound Chip	Realtek ALC662 Audio CODEC
Network	RJ45 10/100 Mbps, WIFI 802.11b/g/n
Power Input	12V DC

## Input /Output System



## System Options

Cabinet		
	Description	Model Name
<b>Standard</b>	Galvanized steel (SECC)	NTAP240XX-4XG <u>S</u> XBX-001
Option 1	Stainless Steel	NTAP240XX-4XG <u>L</u> XBX-001
Option 2	Aluminum	NTAP240XX-4XG <u>A</u> XBX-001



## Display Specifications

Screen Diagonal	<b>609.7mm (24.0 inch)</b>	Display Mode	<b>TN, Normally White</b>
Display Area	<b>531.36x298.89 mm</b>	Backlight Unit	<b>LED (white LED)</b>
Resolution	<b>1920x1080 (FHD)</b>	Viewing Angle (L/R, U/D)	<b>170°/160° (CR=10)</b>
Contrast Ratio	<b>1000:1</b>	Backlight Lifetime	<b>30000 Hours</b>
Display Ratio	<b>16:9</b>	Operating Temp.	<b>0~50°C</b>
Support Color	<b>16.7M Colors</b>	Storage Temp.	<b>-20~60°C</b>
Pixel Pitch	<b>276.75x276.75 um</b>	Surface Treatment	<b>Anti-glare, Hardness 3H</b>
Response Time	<b>5 msec.</b>		

## Display Options

<b>Brightness</b>			
	<b>Brightness</b>	<b>Environment</b>	<b>Model Name</b>
<b>Standard</b>	<b>250nits</b>	<b>General (Indoor Environment)</b>	<b>NTAP240<u>N</u>X-4XGXXBX-001</b>
Option 1	600nits	High Brightness	NTAP240 <u>6</u> X-4XGXXBX-001
Option 2	1000nits	Outdoor Environment	NTAP240 <u>A</u> X-4XGXXBX-0 <u>11</u>
Option 3	1500nits	Sunlight Readable	NTAP240 <u>F</u> X-4XGXXBX-0 <u>11</u>

\* Check the data sheet NTAP240 V011

## Touch Specifications

Touch Technology	<b>Projected Capacitive</b>	Transparency	<b>≥87%</b>
Allowed Touch Points	<b>10 points</b>	Accuracy	<b>99.00%</b>
Hardness of Cover Lens	<b>7H</b>	Thickness of Cover Lens	<b>2.9±0.2mm</b>



Active Stylus Option	
Technology	<b>Active Capacitive Coupled</b>
Working Frequencies	<b>90~250 KHZ</b>
Pressure Level	<b>256~1024 Levels</b>
Side Buttons	<b>2 Side Buttons (Eraser, Barrel)</b>
Active Tip Force	<b>5~25g</b>
Max. Tip Force	<b>400g</b>



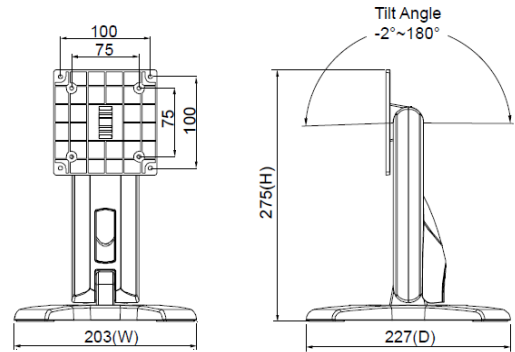
Surface Film Options	
<b>Standard</b>	<b>(none)</b>
Option	Anti-Glare (AG Film)
Option	Anti-Reflective (AR Film)
Option	Anti-Fouling/Fingerprint (AFP Film)
Option	Anti-Spy (AS Film)
Option	UV-Cut (UV Film)



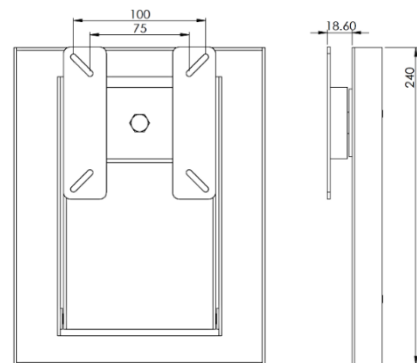


### Optional Accessories (Desktop Stand)

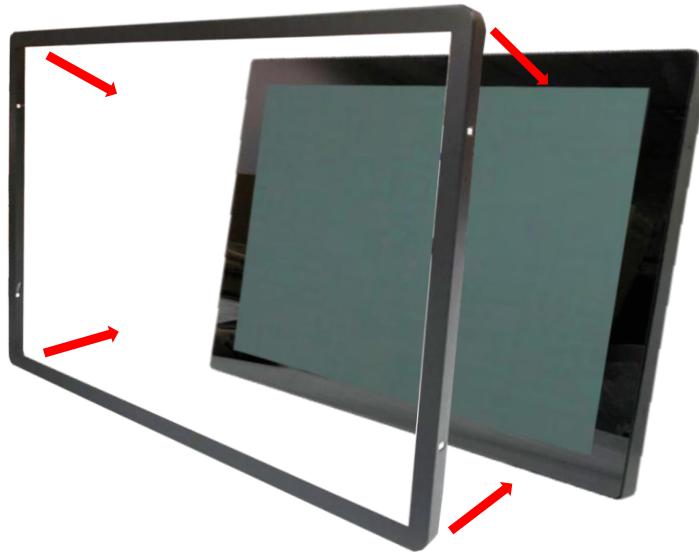
Item	B Stand	Part No.	DST-0B001/DST-1B001
Mounting Pattern	100x100 / 75x75 mm	Dimension (WxHxD)	203x275x227 mm
Material	Steel/Plastic/Aluminum	Net Weight	1.8 KG
Tile (Hinge)	-2° ~+180°	Support Max. Weight	15 KG



Item	Z Stand	Part No.	DST-0BZ01/DST-1BZ01
Mounting Pattern	100x100 / 75x75 mm	Dimension (W/H/D)	190x240x41.6
Material	SECC	Net Weight	2.6 KG
Tile (Hinge)	±360°	Support Max. Weight	15 KG



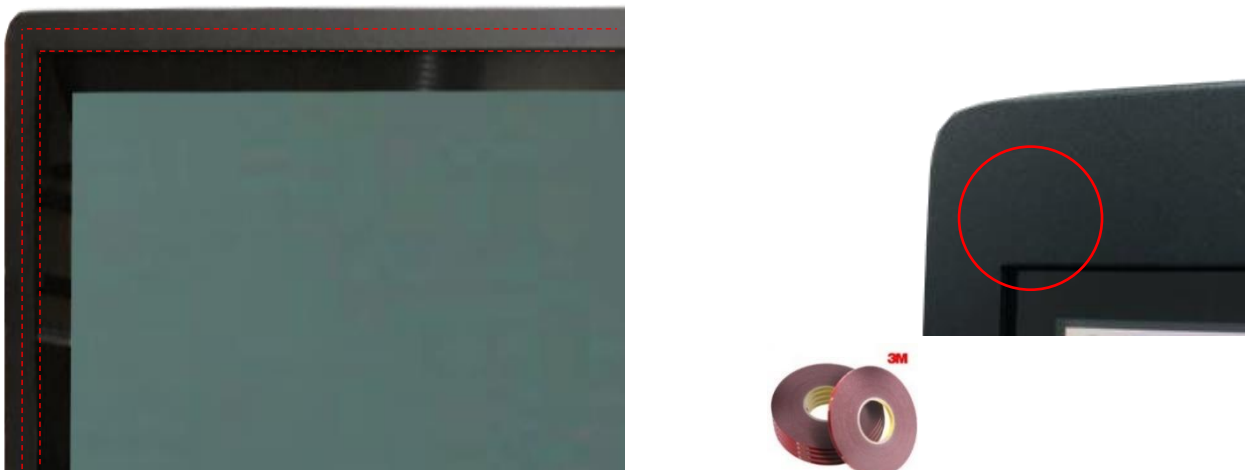
## Optional Accessories (Front Cover)



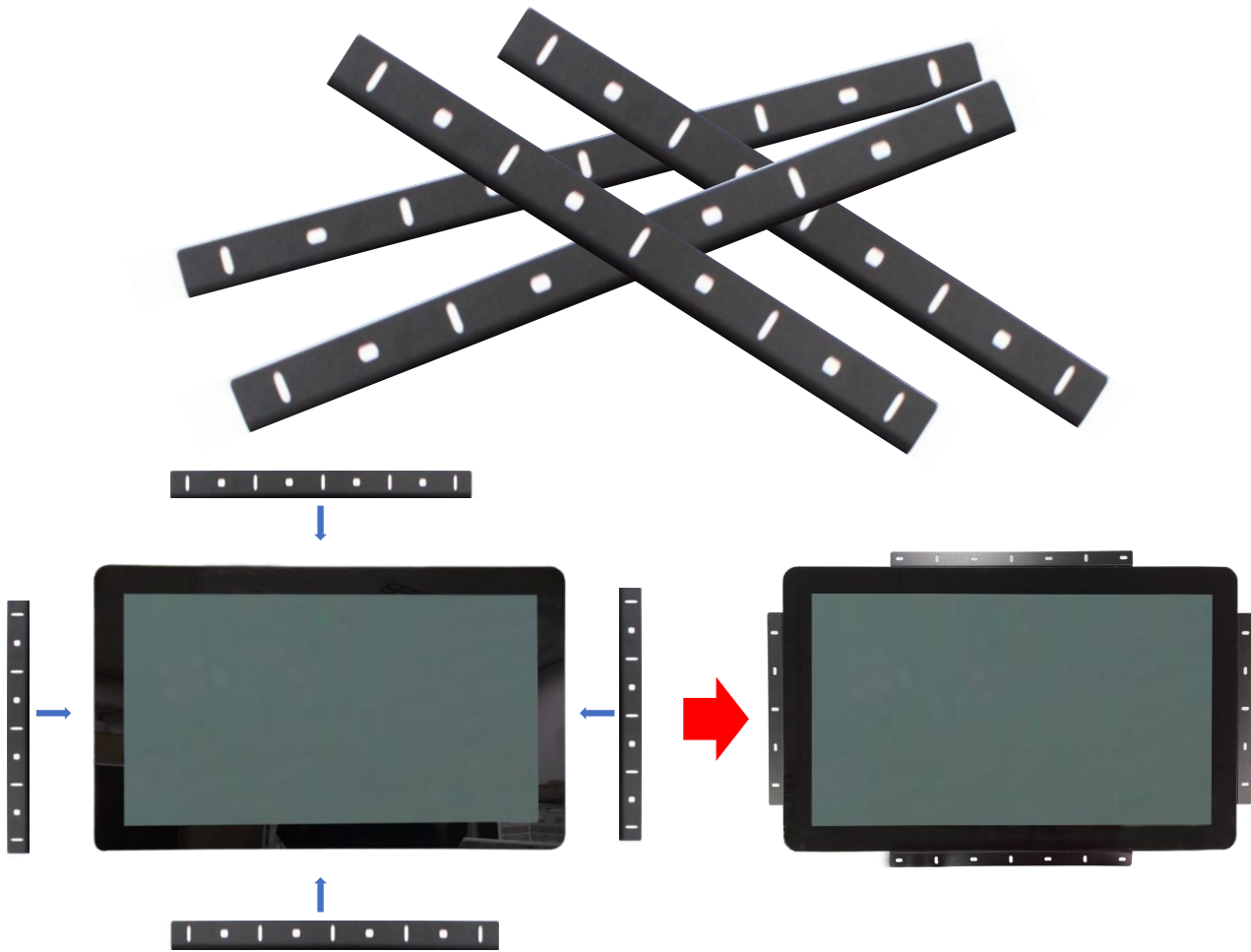
The standard **NTAP240** is true flat surface, with only 1mm metal bezel.  
To protect the corners of the touch screen, the **Front Cover** can be added



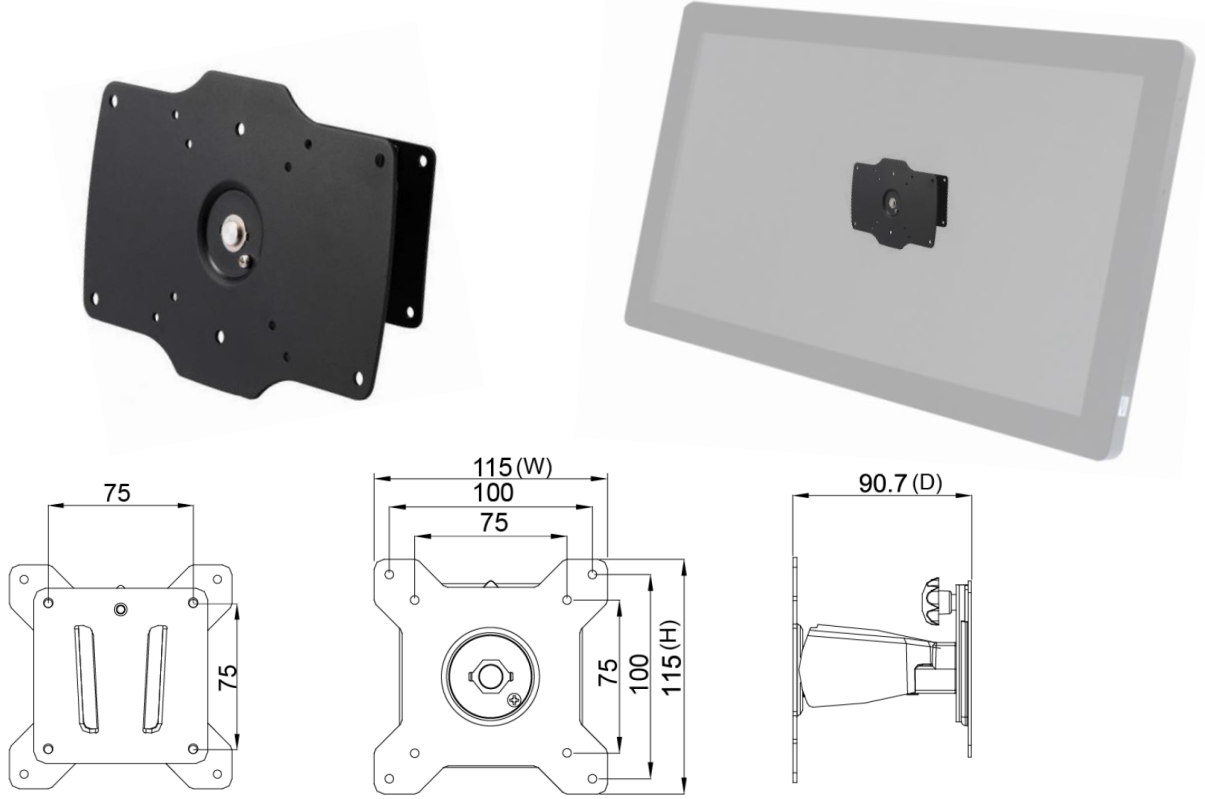
The watertight gasket can be added between the **Front Cover** and **NTAP240**.  
It complies IP65 on front.



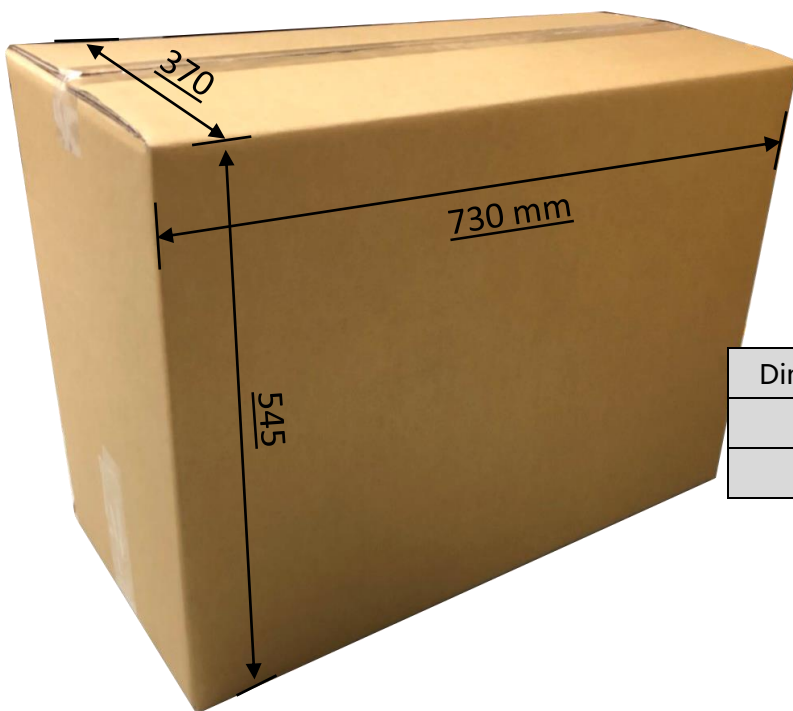
## Optional Accessories (Open-frame Brackets)



## Optional Accessories (Wall Mount Bracket)



## Packing Information



Dimensions of Carton	<b>730x545x370 mm</b>
Net Weight	<b>≤7.5 KG</b>
Gross Weight	<b>≤10.5 KG</b>

## Optional Accessories (Desktop Stand or Arm)



- 273x180x265 mm  
- 1.07 KG  
- Support 12 KG



- 620x556x123 mm  
- 3 KG  
- Support 10 KG



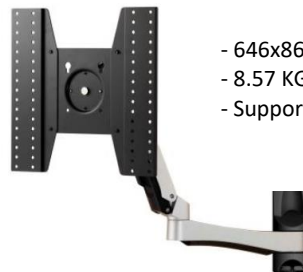
- 250x192x445 mm  
- 1.4 KG  
- Support 12 KG



- 655x858.5x563 mm  
- 7.56 KG  
- Support 30 KG



- 158x403x144 mm  
- 2.12 KG  
- Support 12 KG



- 646x861x953.5 mm  
- 8.57 KG  
- Support 30 KG



- 423x403x240 mm  
- 1.91 KG  
- Support 12 KG



- 1300x403x307 mm  
- 5.3 KG  
- Support 8 KG (2.7 KG Each)



- 715x393x144 mm  
- 3.68 KG  
- Support 12 KG (6 KG Each)

