



# Product Specifications

|                 |                    |
|-----------------|--------------------|
| <b>Customer</b> |                    |
| <b>Model</b>    | <b>NTI320 V011</b> |



| Records of Revision |                            |                      |                 |
|---------------------|----------------------------|----------------------|-----------------|
| Vision              | Modifying                  | Old Description      | New Description |
| v1909.1             | Preliminary Specifications |                      |                 |
| <b>v1909.2</b>      | <b>Replace the Panel</b>   | Surface : AG Haze 2% | <b>44%</b>      |
|                     |                            |                      |                 |
|                     |                            |                      |                 |
|                     |                            |                      |                 |
|                     |                            |                      |                 |
|                     |                            |                      |                 |
|                     |                            |                      |                 |
|                     |                            |                      |                 |

## Features

- ★ 32" 16:9 ,1920x1080 (Full-HD) Resolution
- ★ 1000nits High Brightness
- ★ VA Wide Viewing Angel 178°/178°
- ★ I.R. Touch Option
- ★ 7H Hardness Tempered Cover Glass
- ★ 10 points Multi-touch
- ★ Metal Cabinet with Diverse Combine Options
- ★ Made in Taiwan, 3 Years Warranty
- ★ Designed for Harsh Environments
- ★ Optional AG/AR/AF Film
- ★ Media Play by USB Drive. (PC free!)



PSE



BSMI



FCC



CE



RoHS



ISO9001



## Display Specifications

|                 |                            |                          |                                 |
|-----------------|----------------------------|--------------------------|---------------------------------|
| Model Name      | <b>NTI320X0XXHXA-011 *</b> | Display Mode             | <b>VA, Normally Black</b>       |
| Screen Diagonal | <b>31.5 inch</b>           | Response Time            | <b>8 msec.</b>                  |
| Display Area    | <b>698.4x392.9 mm</b>      | Backlight Unit           | <b>LED (white LED)</b>          |
| Resolution      | <b>1920x1080 (FHD)</b>     | Viewing Angle (L/R, U/D) | <b>178°/178° (CR≥10)</b>        |
| Contrast Ratio  | <b>3000:1</b>              | Backlight Lifetime       | <b>60000 HRS</b>                |
| Display Ratio   | <b>16:9</b>                | Operating Temp.          | <b>0~50°C</b>                   |
| Support Color   | <b>1073 M Colors</b>       | Storage Temp.            | <b>-20~60°C</b>                 |
| Pixel Pitch     | <b>0.3637x0.3637 mm</b>    | Surface Treatment        | <b>AG Haze 44%, Hardness 3H</b> |
| Brightness      | <b>1000 nits</b>           |                          |                                 |

\* X = A~Z, 0~9(Depends on options.)

## Display Input

| Connectors | Description           | Connectors | Description            |
|------------|-----------------------|------------|------------------------|
| VGA        | <b>15pin D-Sub x1</b> | DVI        | <b>DVI-I x1</b>        |
| HDMI       | <b>HDMI 1.4 x2</b>    | USB        | <b>USB Type A x1 *</b> |

\* For media playing function by using USB drives, plays the media files automatically.

| Supported Media Format |   |
|------------------------|---|
| Movie                  | <b>avi, mpg, dat, vob, mov, mkv, rm, rmvb, mp4, mjpeg, ts, trp, wmv, asf, flv</b> |
| Picture                | <b>Jpg, bmp, png</b>  |
| Music                  | <b>mp3, m4a</b>   |

### Notes

1. Media playing function by using USB driver isn't supporting touch function.
2. Touch function requires a PC, Android or Linux device.
3. Media playing function requires an USB Drive only. (without PC)

## Accessories

| Item       | Description  | Quantity |
|------------|--|----------|
| HDMI Cable | <b>HDMI Male to Male, 1.5 Meter</b>                              | <b>1</b> |
| Power cord | <b>*Country Specific</b>   | <b>1</b> |
| USB Cable  | <b>A type, Male to Male, 1.5 Meter *(only for touch monitor)</b> | <b>1</b> |

## Audio System

|             | Description   | Connector                                   |
|-------------|---------------|---|
| Audio Input | <b>Stereo</b> | <b>TRS Connector Φ3.5mm (Earphone Jack)</b> |
| Speakers    | <b>10W x2</b> |   |



## Touch Options

|                 | Environment      | Model Number                    |
|-----------------|------------------|---------------------------------|
| <b>Standard</b> | <b>Non-Touch</b> | <b>NTI320<u>0</u>0XXHXA-011</b> |
| Option          | I.R. Touch       | NTI320 <u>!</u> 0XXHXA-011      |

|                      |                   |                         |                  |
|----------------------|-------------------|-------------------------|------------------|
| Touch Technology     | <b>I.R. touch</b> | Transparency            | <b>≥92%</b>      |
| Allowed Touch Points | <b>10 points</b>  | Thickness of Cover Lens | <b>4.0±0.2mm</b> |
| Interface            | <b>USB</b>        | Hardness of Cover Lens  | <b>7H</b>        |
| Accuracy             | <b>99%</b>        |                         |                  |



## General Options

| Surface Film Options |              |                                 |
|----------------------|--------------|---------------------------------|
|                      | Description  | Model Number                    |
| <b>Standard</b>      | <b>Black</b> | <b>NTI320X0<u>B</u>XHXA-011</b> |
| Option 1             | White        | NTI320X0 <u>W</u> XHXA-011      |
| Option 2             | Sliver       | NTI320X0 <u>S</u> XHXA-011      |
| Options              | Other Color  | NTI320X0 <u>X</u> XHXA-011      |

\* X = A~Z, 0~9(Depends on Color)

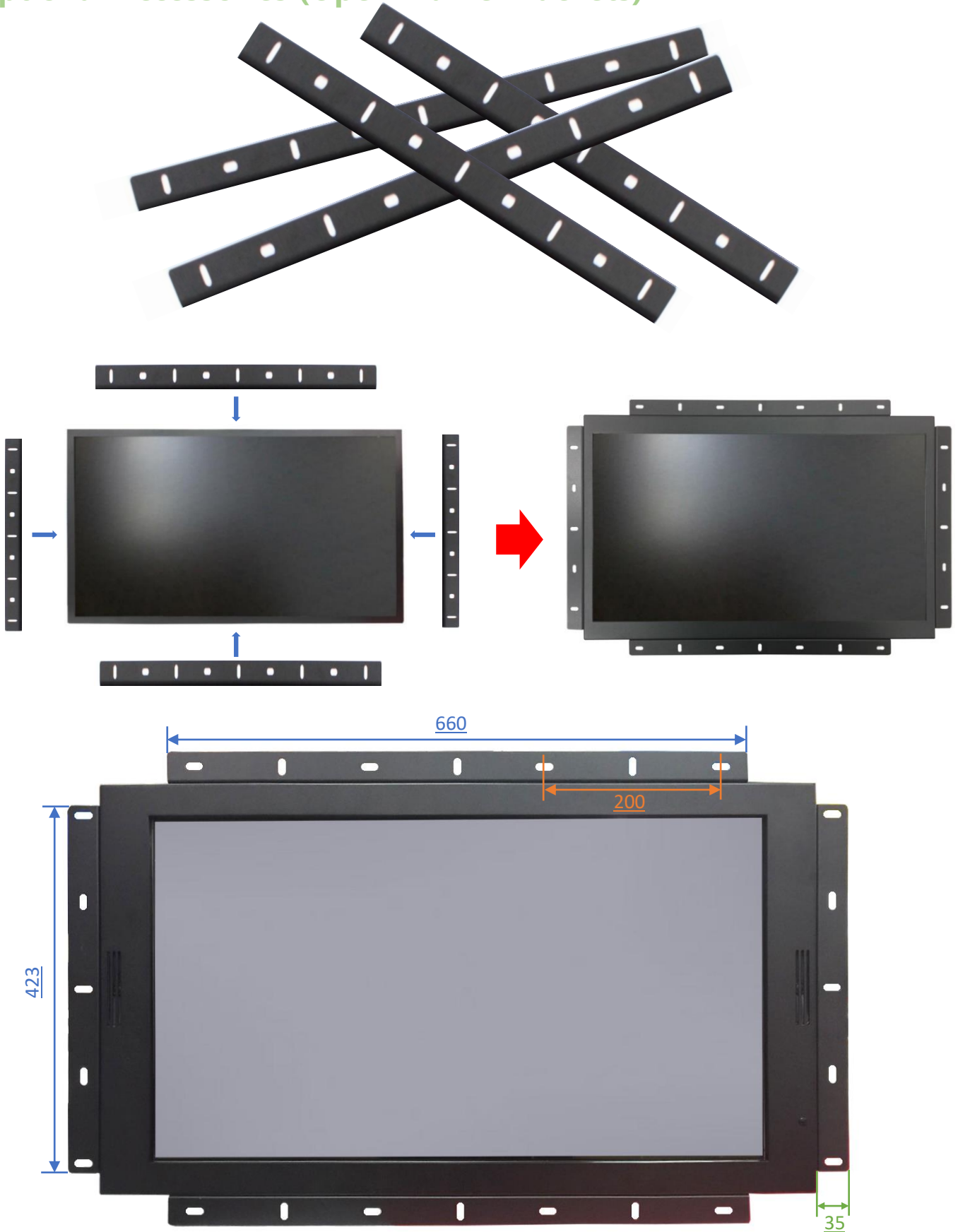
| Touch Interface |                  |                                 |
|-----------------|------------------|---------------------------------|
|                 | Description      | Model Number                    |
| <b>Standard</b> | <b>Non-touch</b> | <b>NTI320X0X<u>0</u>HXA-011</b> |
| Option          | USB              | NTI320X0X <u>U</u> HXA-011      |

| Material of Cabinet |                                |                                 |
|---------------------|--------------------------------|---------------------------------|
|                     | Description                    | Model Number                    |
| <b>Standard</b>     | <b>Galvanized steel (SECC)</b> | <b>NTI320X0XXH<u>S</u>A-011</b> |
| Option 1            | Stainless Steel                | NTI320X0XXH <u>L</u> A-011      |
| Option 2            | Aluminum                       | NTI320X0XXH <u>A</u> A-011      |

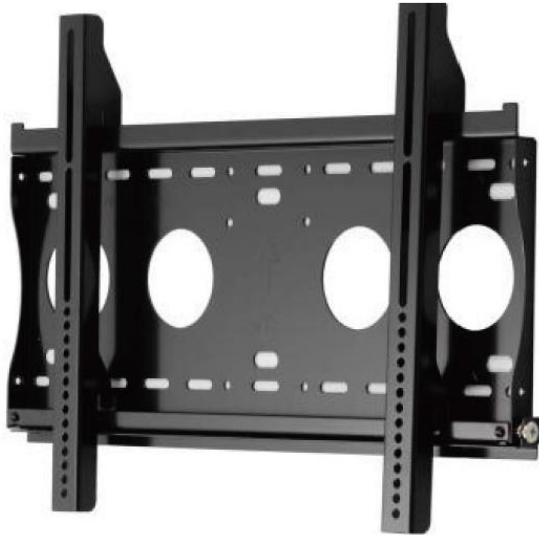
## Supported OS

|         |  |
|---------|--|
| Windows | <b>Win10, Win8, Win7 , Vista, XP, Embedded XP, Win2000, CE.NET 4.x ↑</b> |
| Linux   | <b>Kernel 2.6.24 ↑</b>   |
| Android | <b>3.0 ↑</b>   |
| Mac     | <b>10.5.x ↑ (Intel CPU)</b>  |

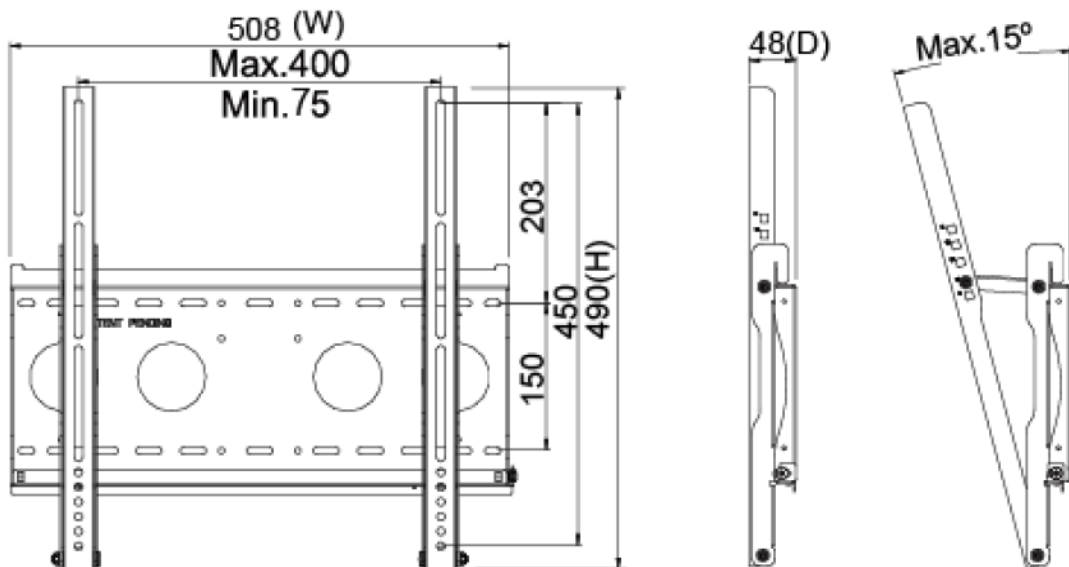
### Optional Accessories (Open-frame Brackets)



## Optional Accessories (Wall Mount Bracket)



|                  |                          |                           |                      |
|------------------|--------------------------|---------------------------|----------------------|
| Part No.         | <b>WMB-B001</b>          |                           |                      |
| Mounting Pattern | <b>Max. 400x450 mm</b>   | Dimension (WxHxD)         | <b>508x490x48 mm</b> |
| Material         | <b>SECC</b>              | Net Weight                | <b>4.01 KG</b>       |
| Tilt (Hinge)     | <b>0°/5°/10°/13°/15°</b> | Support Max. Weight       | <b>80 KG</b>         |
| Screw Type       | <b>M4/M5/M6/M8</b>       | Min. Distance to The Wall | <b>48 mm</b>         |



## Optional Accessories (KIOSK Cabinet)



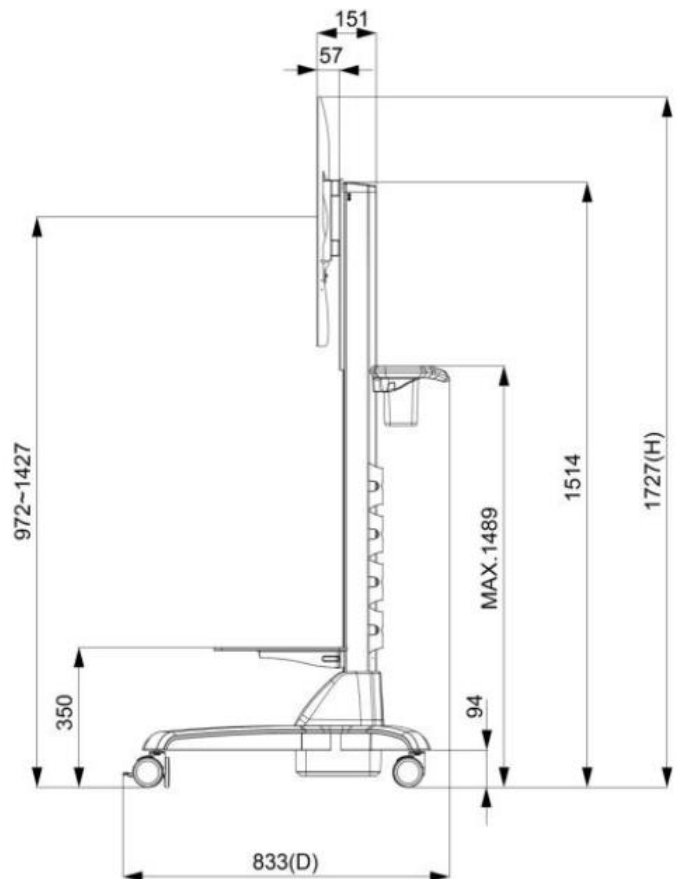
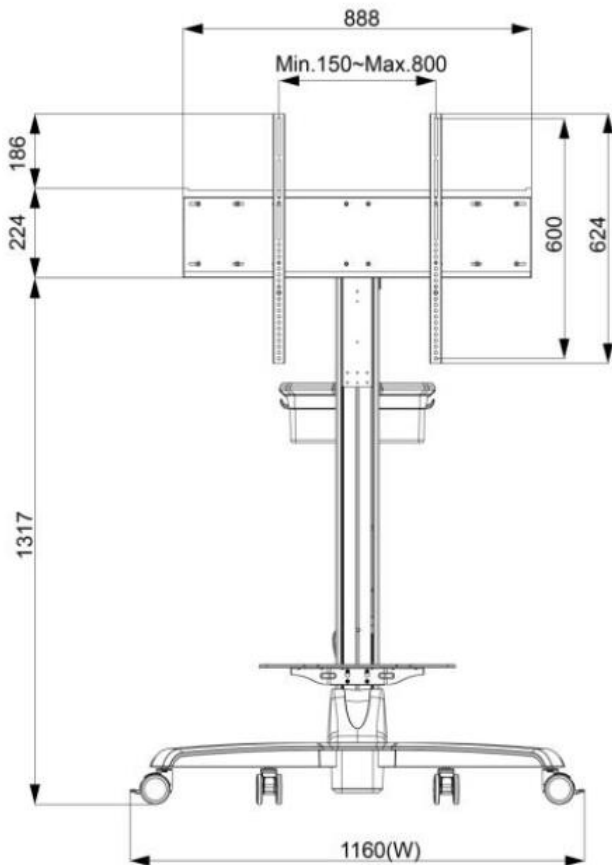
|                    |                                  |
|--------------------|----------------------------------|
| Material           | <b>SECC</b>                      |
| Caster             | <b>4 (front 2 braking)</b>       |
| Ingress Protection | <b>Front IP65</b>                |
| Power Socket       | <b>None (Wire Hole Reserved)</b> |



## Optional Accessories (Cart)



|                       |                                |
|-----------------------|--------------------------------|
| Net Weight            | <b>28.4 KG</b>                 |
| Power System          | <b>AC 200~240V 50/60Hz</b>     |
| User Interface        | <b>Button (up/down)</b>        |
| Packaged Dimension    | <b>W1160xD833xH1727 mm</b>     |
| Screw Type            | <b>M4/M5/M6/M8</b>             |
| Material              | <b>Aluminum /Plastic/Steel</b> |
| Max. Mount Pattern    | <b>800x600mm</b>               |
| Max. Weight Load      | <b>80 KG</b>                   |
| Caster                | <b>4 (front 2 braking)</b>     |
| Height Adjust Range   | <b>455 mm</b>                  |
| RoHS/REACH Compliance | <b>Yes</b>                     |



## Packing Information



|                      |                       |
|----------------------|-----------------------|
| Dimensions of Carton | <b>995x700x230 mm</b> |
| Net Weight           | <b>≤19 KG</b>         |
| Gross Weight         | <b>≤22 KG</b>         |

