



# Product Specifications

<b>Customer</b>	
<b>Model</b>	<b>NTI550 V001</b>



Records of Revision			
Vision	Modifying	Old Description	New Description
v1511.8	Preliminary Specifications		

## Features

- ★ 55" 16:9 ,1920x1080 (Full-HD) Resolution
- ★ VA Wide Viewing Angel 178°/178°
- ★ I.R. Touch Option
- ★ 7H Hardness Tempered Cover Glass
- ★ **10 points Multi-touch**
- ★ Metal Cabinet with Diverse Combine Options
- ★ Made in Taiwan, 3 Years Warranty
- ★ Designed for Harsh Environments
- ★ Optional High Brightness/Sunlight Readable
- ★ Media Play by USB Drive. (PC free!)



PSE



BSMI



FCC



CE



RoHS



ISO9001



## Display Specifications

Model Name	<b>NTI550X0XXXXA-001 *</b>	Display Mode	<b>VA Type, Normally Black</b>
Screen Diagonal	<b>1387.8mm (55 inch)</b>	Response Time	<b>12 msec.</b>
Display Area	<b>1209.6x680.4 mm</b>	Backlight Unit	<b>LED (white LED)</b>
Resolution	<b>1920x1080 (FHD)</b>	Viewing Angle (L/R, U/D)	<b>178°/178° (CR=10)</b>
Contrast Ratio	<b>4000:1</b>	Backlight Lifetime	<b>30000 HRS</b>
Display Ratio	<b>16:9</b>	Operating Temp.	<b>0~50°C</b>
Support Color	<b>1073M Colors</b>	Storage Temp.	<b>-20~60°C</b>
Pixel Pitch	<b>0.63x0.63 mm</b>	Surface Treatment	<b>Anti-glare Haze 2%, 3H</b>

\* X = A~Z, 0~9 (Depends on options)

## Display Input

Connectors	Description	Connectors	Description
VGA	<b>15pin D-Sub x1</b>	DVI	<b>DVI-I x1</b>
HDMI	<b>HDMI 1.4 x2</b>	USB	<b>USB Type A x1 *</b>

\* For media playing function by using USB drives, plays the media files automatically.

Supported Media Format	
Movie	<b>avi, mpg, dat, vob, mov, mkv, rm, rmvb, mp4, mjpeg, ts, trp, wmv, asf, flv</b>
Picture	<b>Jpg, bmp, png</b>
Music	<b>mp3, m4a</b>

### Notes

1. Media playing function by using USB driver isn't supporting touch function.
2. Touch function requires a PC, Android or Linux device.
3. Media playing function requires an USB Drive only. (without PC)



## General Options

Item	Brightness	Model No.
<b>Standard</b>	<b>450nits</b>	<b>NTI550X0XX<u>N</u>XA-001</b>
Option 1	700nits	NTI550X0XX <u>H</u> XA-011
Option 2	2500nits	NTI550X0XX <u>H</u> XA-021

\* Check the data sheet NTI550 V011/V021

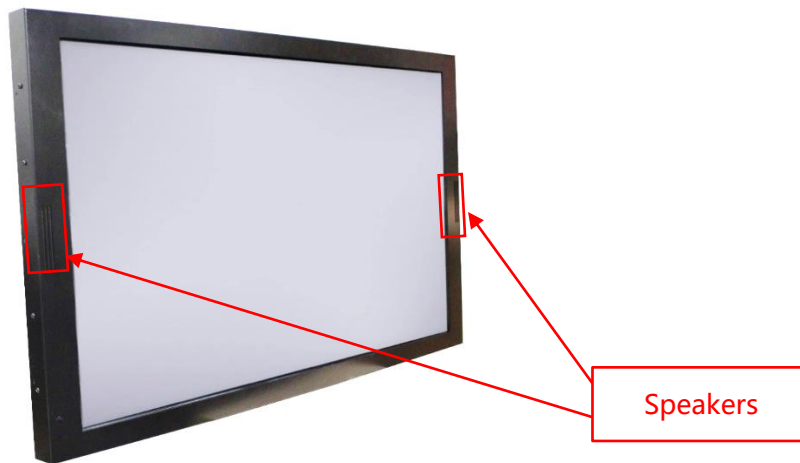
Material of Cabinet		
	Description	Model Name
<b>Standard</b>	<b>Galvanized steel (SECC)</b>	<b>NTI550X0XXX<u>S</u>A-001</b>
Option 1	Stainless Steel	NTI550X0XXX <u>L</u> A-001
Option 2	Aluminum	NTI550X0XXX <u>A</u> A-001

Color of Cabinet		
	Description	Model Name
<b>Standard</b>	<b>Black</b>	<b>NTI550X0<u>B</u>XXXXA-001</b>
Option 1	White	NTI550X0 <u>W</u> XXXXA-001
Option 2	Sliver	NTI550X0 <u>S</u> XXXXA-001
Options	Other Color	NTI550X0 <u>X</u> XXXXA-001

\* X = A~Z, 0~9 (Depends on Color)

## Input /Output

	Description	Connectors
Audio Input	<b>Stereo</b>	TRS Connector $\Phi$ 3.5mm (Earphone Jack)
Speakers	<b>10W x2</b>	
Power Input	<b>100~240VAC</b>	100~240VAC, C14 Female Socket



## Supported OS

Windows	<b>Win10, Win8, Win7 , Vista, XP, Embedded XP, Win2000, CE.NET 4.x</b> ↑
Linux	<b>Kernel 2.6.24</b> ↑
Android	<b>3.0</b> ↑
Mac	<b>10.5.x</b> ↑ (Intel CPU)

## Accessories

Item	Description	Quantity
HDMI Cable	<b>HDMI Male to Male, 1.5 Meter</b>	<b>1</b>
Power cord	<b>*Country Specific</b>	<b>1</b>
USB Cable	<b>A type, Male to Male, 1.5 Meter</b> *(only for touch monitor)	<b>1</b>



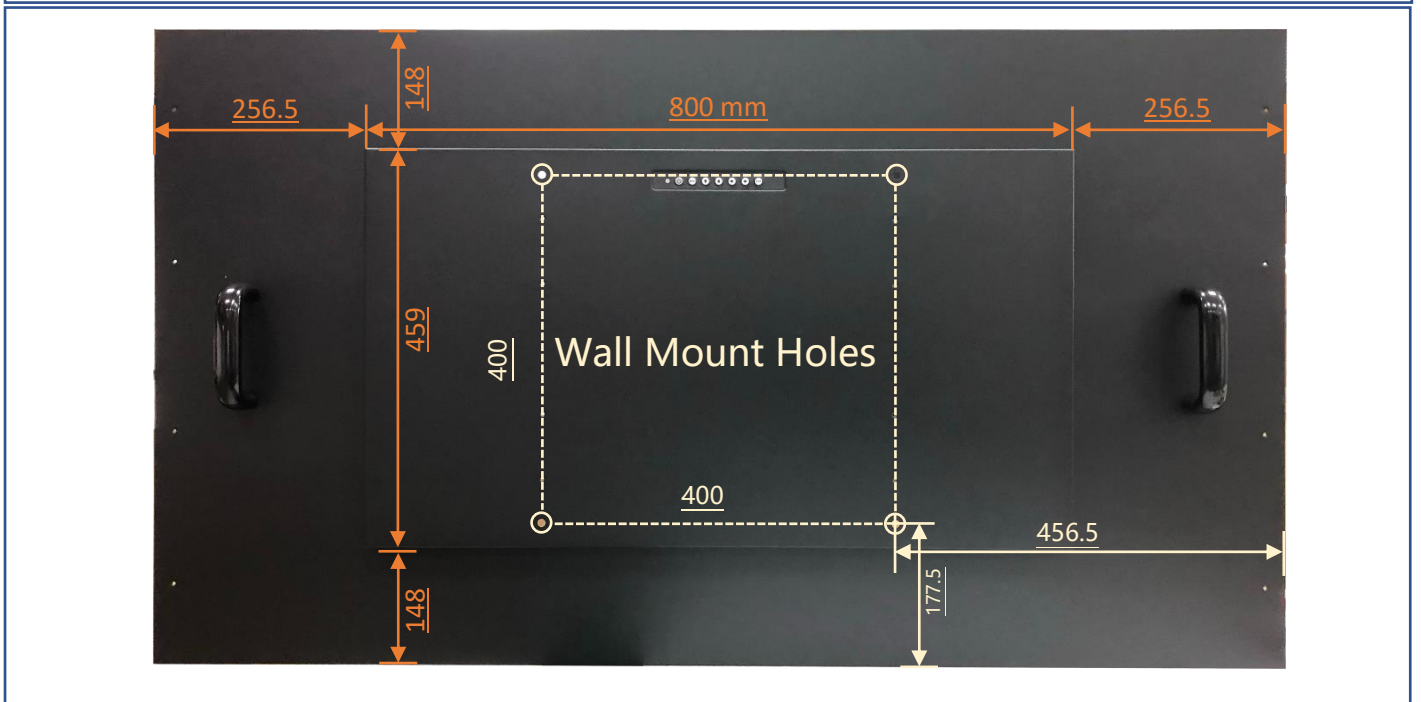
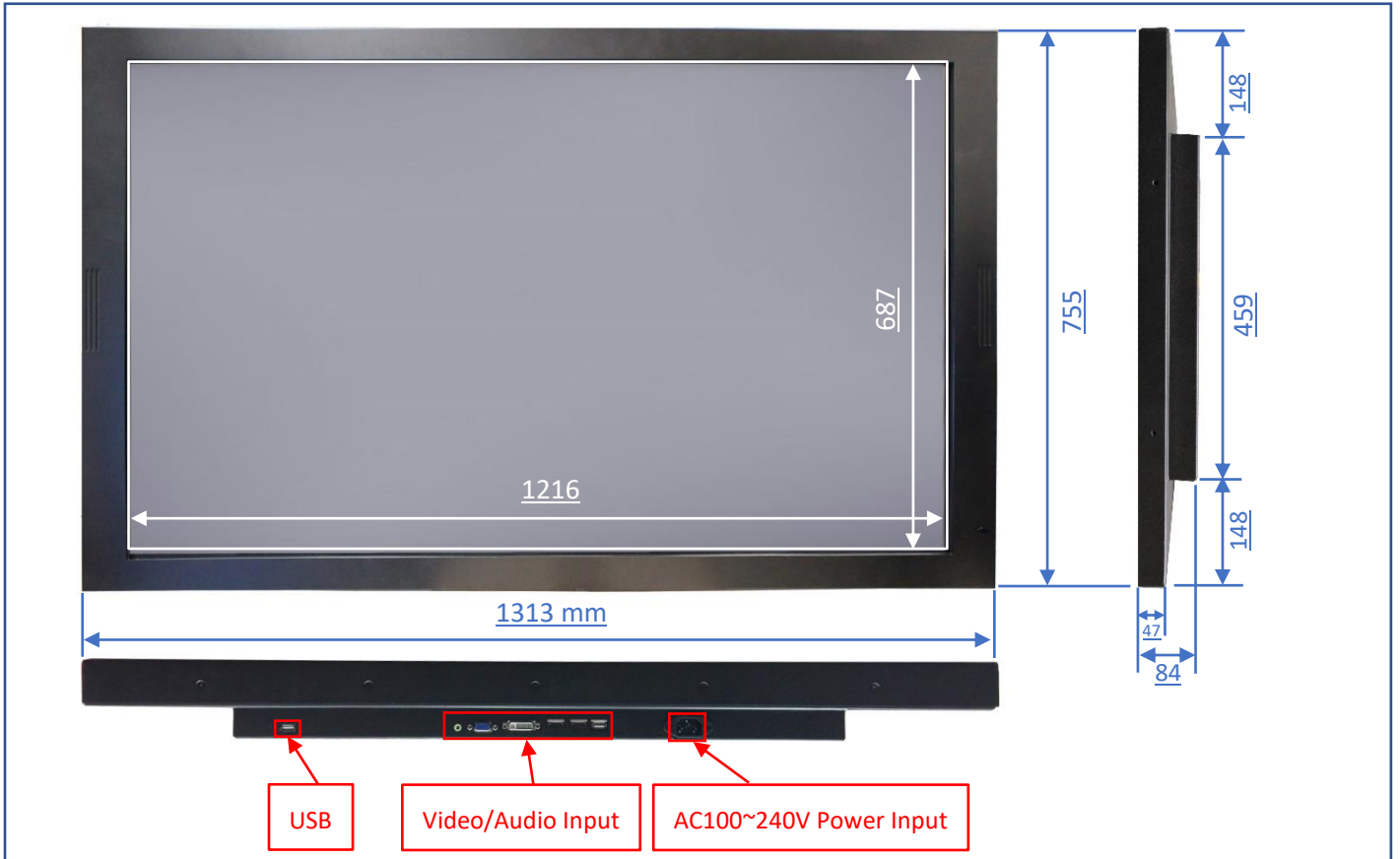
## Touch Options

Non-Touch			
Model No.	NTI550 <u>0</u> XXXXA-001		

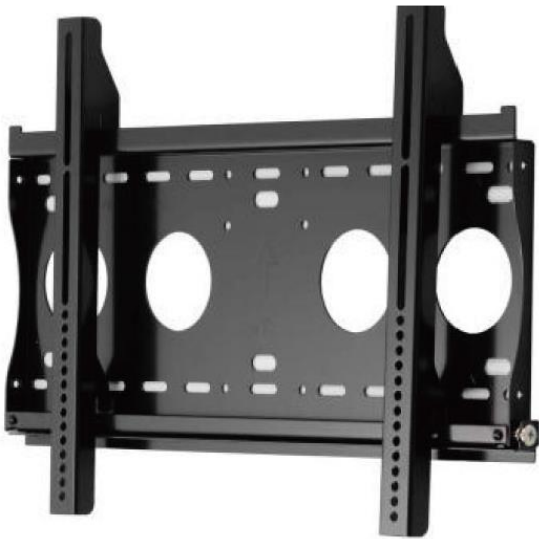
I.R. Touch			
Model No.	NTI550 <u>1</u> XXXXA-001	Transparency	≥ <b>92%</b>
Touch Technology	<b>I.R. Touch</b>	Accuracy	<b>99.00%</b>
Allowed Touch Points	<b>10 points</b>	Thickness of Cover Lens	<b>4.0±0.2mm</b>
Interface	<b>USB</b>	Hardness of Cover Lens	<b>7H</b>

## Physical Specifications

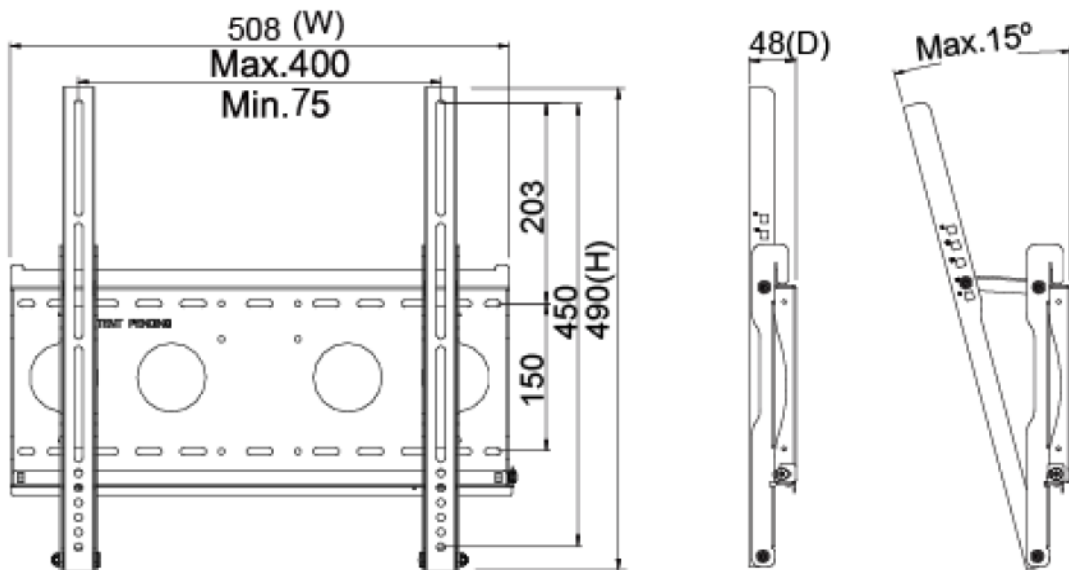
Dimension (Max)	<b>1313x755x84(±1)mm</b>	Net Weight	<b>≈42.0 KG</b>
VESA Mounting	<b>400x400 mm</b>	Gross Weight	<b>≈49.5 KG</b>



## Optional Accessories (Wall Mount Bracket)



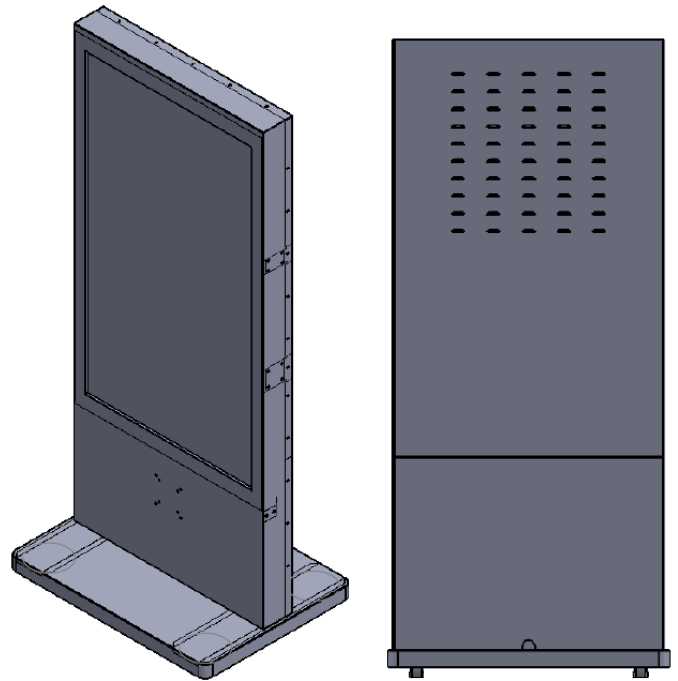
Part No.	<b>WMB-B001</b>		
Mounting Pattern	<b>Max. 400x450 mm</b>	Dimension (WxHxD)	<b>508x490x48 mm</b>
Material	<b>SECC</b>	Net Weight	<b>4.01 KG</b>
Tilt (Hinge)	<b>0°/5°/10°/13°/15°</b>	Support Max. Weight	<b>80 KG</b>
Screw Type	<b>M4/M5/M6/M8</b>	Min. Distance to The Wall	<b>48 mm</b>



## Optional Accessories (KIOSK Cabinet)



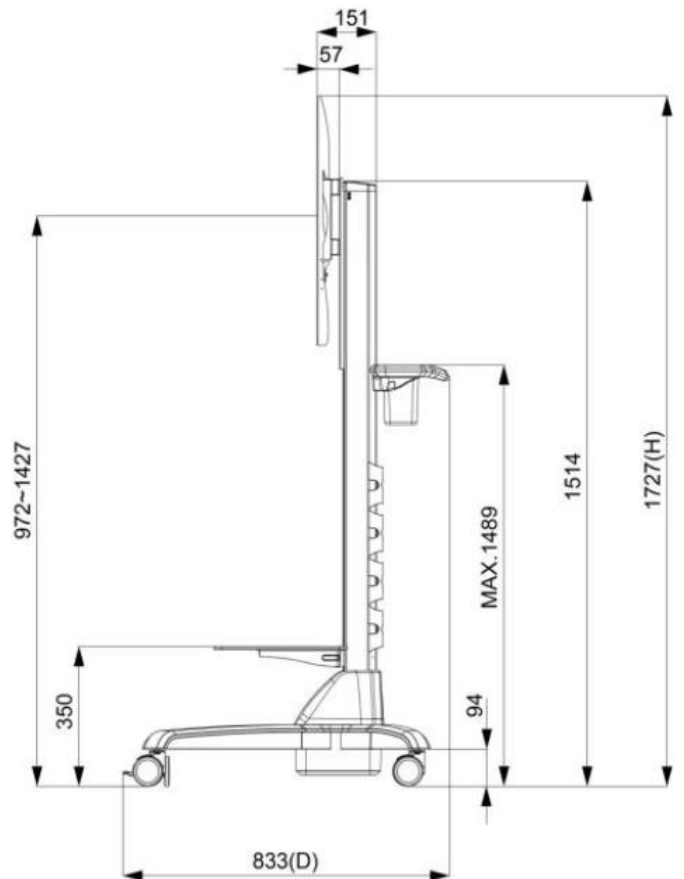
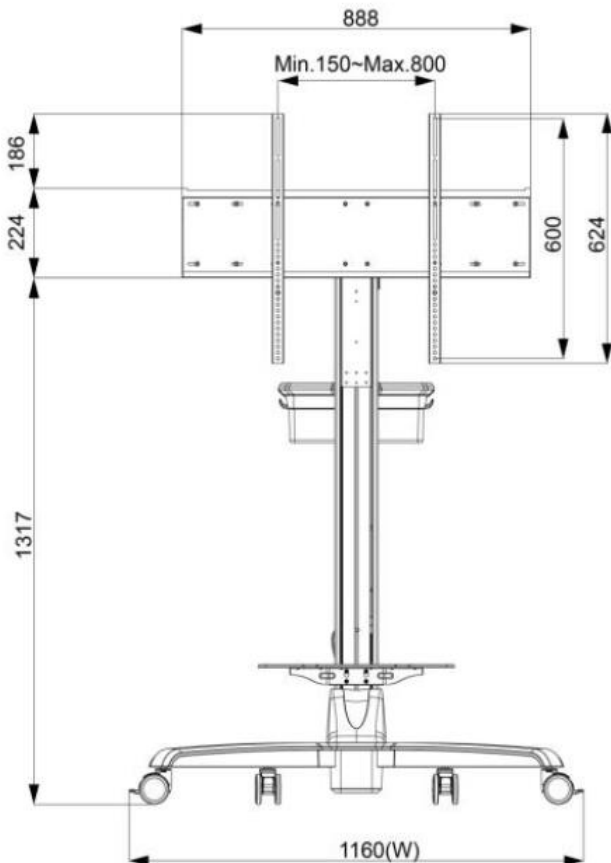
Material	SECC
Caster	4 (front 2 braking)



## Optional Accessories (Cart)



Net Weight	<b>28.4 KG</b>
Power System	<b>AC 200~240V 50/60Hz</b>
User Interface	<b>Button (up/down)</b>
Packaged Dimension	<b>W1160xD833xH1727 mm</b>
Screw Type	<b>M4/M5/M6/M8</b>
Material	<b>Aluminum/Plastic/Steel</b>
Max. Mount Pattern	<b>800x600mm</b>
Max. Weight Load	<b>80 KG</b>
Caster	<b>4 (front 2 braking)</b>
Height Adjust Range	<b>455 mm</b>
RoHS/REACH	<b>Yes</b>



## Packing Information



Dimensions of Carton	<b>1530x960x230 mm</b>
Net Weight	<b>≤42.0 KG</b>
Gross Weight	<b>≤49.5 KG</b>