



Product Specifications

Customer	
Model	NTI550 V021



Records of Revision			
Vision	Modifying	Old Description	New Description
v1511.2	Preliminary Specifications		

Features

- ★ 55" 16:9 ,1920x1080 (Full-HD) Resolution
- ★ 2500nits High Brightness
- ★ VA Wide Viewing Angel 178°/178°
- ★ I.R. Touch Option
- ★ 7H Hardness Tempered Cover Glass
- ★ **10 points Multi-touch**
- ★ Metal Cabinet with Diverse Combine Options
- ★ Made in Taiwan, 3 Years Warranty
- ★ Designed for Harsh Environments
- ★ Media Play by USB Drive. (PC free!)



PSE



BSMI



FCC



CE



RoHS



ISO9001



Display Specifications

Model Name	NTI550X0XXHXA-021 *	Display Mode	VA Type, Normally Black
Screen Diagonal	54.64 inch	Response Time	12 msec.
Display Area	1209.6x680.4 mm	Backlight Unit	LED (white LED)
Resolution	1920x1080 (FHD)	Viewing Angle (L/R, U/D)	178°/178° (CR=10)
Contrast Ratio	4000:1	Backlight Lifetime	50000 Hours
Display Ratio	16:9	Operating Temp.	0~50°C
Support Color	1073M Colors	Storage Temp.	-20~60°C
Pixel Pitch	0.63x0.63 mm	Surface Treatment	Anti-Reflection ≤1.452%
Brightness	2500nits		

* X = A~Z, 0~9 (Depends on options)

Display Input

Connectors	Description	Connectors	Description
VGA	15pin D-Sub x1	DVI	DVI-I x1
HDMI	HDMI 1.4 x2	USB	USB Type A x1 *

* For media playing function by using USB drives, plays the media files automatically.

Supported Media Format	
Movie	avi, mpg, dat, vob, mov, mkv, rm, rmvb, mp4, mjpeg, ts, trp, wmv, asf, flv
Picture	Jpg, bmp, png
Music	mp3, m4a

Notes

1. Media playing function by using USB driver isn't supporting touch function.
2. Touch function requires a PC, Android or Linux device.
3. Media playing function requires an USB Drive only. (without PC)



General Options

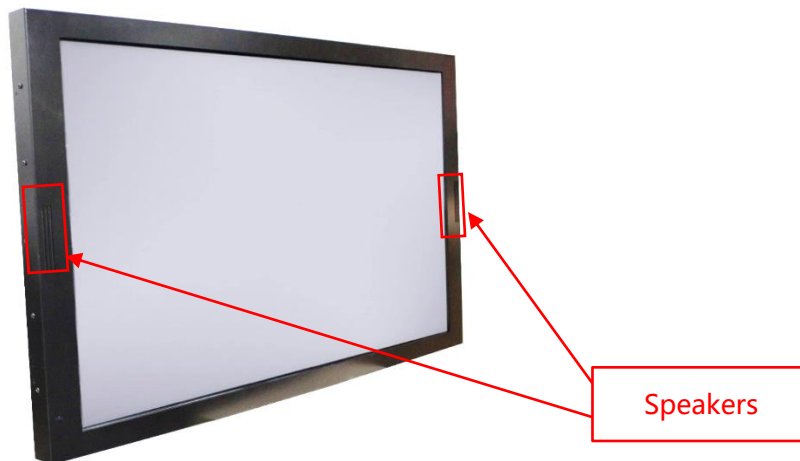
Material of Cabinet		
	Description	Model Name
Standard	Galvanized steel (SECC)	NTI550X0XXH<u>S</u>A-021
Option 1	Stainless Steel	NTI550X0XXH <u>L</u> A-021
Option 2	Aluminum	NTI550X0XXH <u>A</u> A-021

Color of Cabinet		
	Description	Model Name
Standard	Black	NTI550X0<u>B</u>XHXA-021
Option 1	White	NTI550X0 <u>W</u> XHXA-021
Option 2	Sliver	NTI550X0 <u>S</u> XHXA-021
Options	Other Color	NTI550X0 <u>X</u> XHXA-021

* X = A~Z, 0~9 (Depends on Color)

Input /Output

	Description	Connectors
Audio Input	Stereo	TRS Connector Φ 3.5mm (Earphone Jack)
Speakers	10W x2	
Power Input	100~240VAC	100~240VAC, C14 Female Socket



Supported OS

Windows	Win10, Win8, Win7 , Vista, XP, Embedded XP, Win2000, CE.NET 4.x ↑
Linux	Kernel 2.6.24 ↑
Android	3.0 ↑
Mac	10.5.x ↑ (Intel CPU)

Accessories

Item	Description	Quantity
HDMI Cable	HDMI Male to Male, 1.5 Meter	1
Power cord	*Country Specific	1
USB Cable	A type, Male to Male, 1.5 Meter *(only for touch monitor)	1



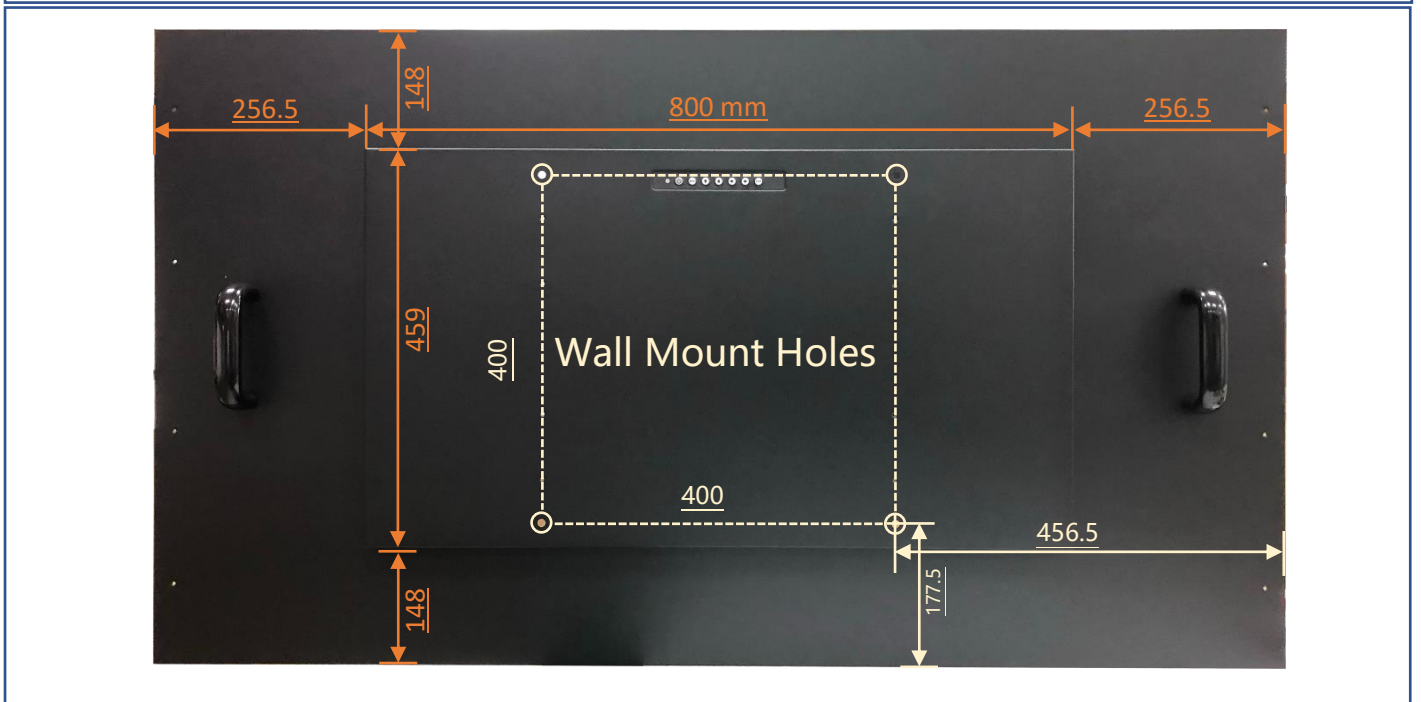
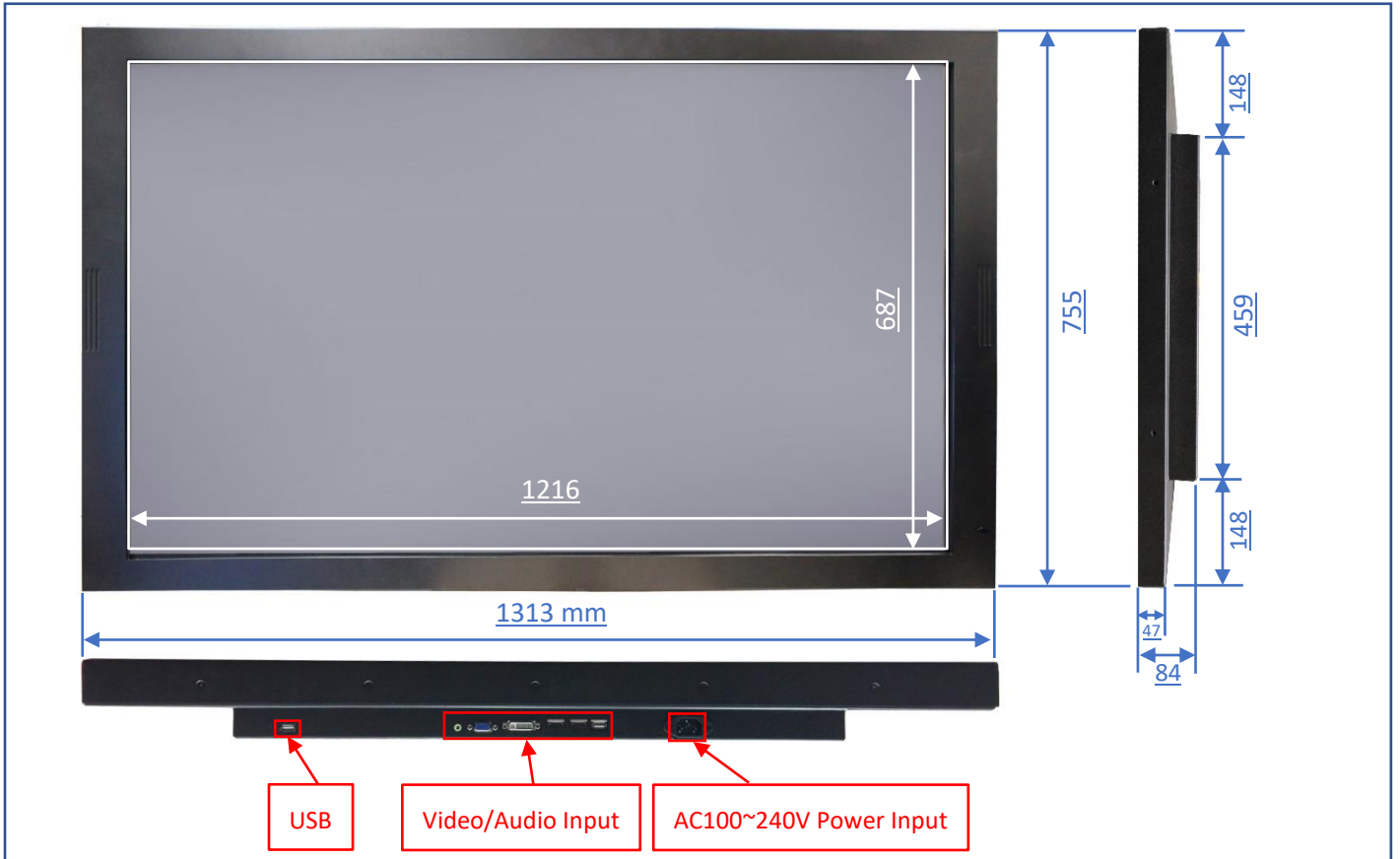
Touch Options

Non-Touch			
Model No.	NTI550 <u>0</u> XXHXA-021		

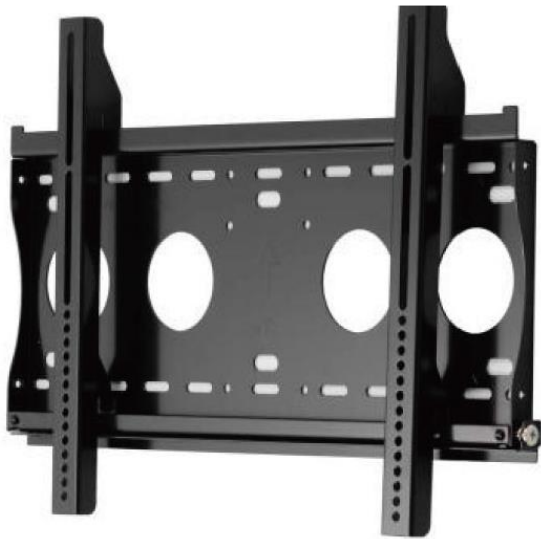
I.R. Touch			
Model No.	NTI550 <u>1</u> XXHXA-021	Transparency	≥ 92%
Touch Technology	I.R. Touch	Accuracy	99.00%
Allowed Touch Points	10 points	Thickness of Cover Lens	4.0±0.2mm
Interface	USB	Hardness of Cover Lens	7H

Physical Specifications

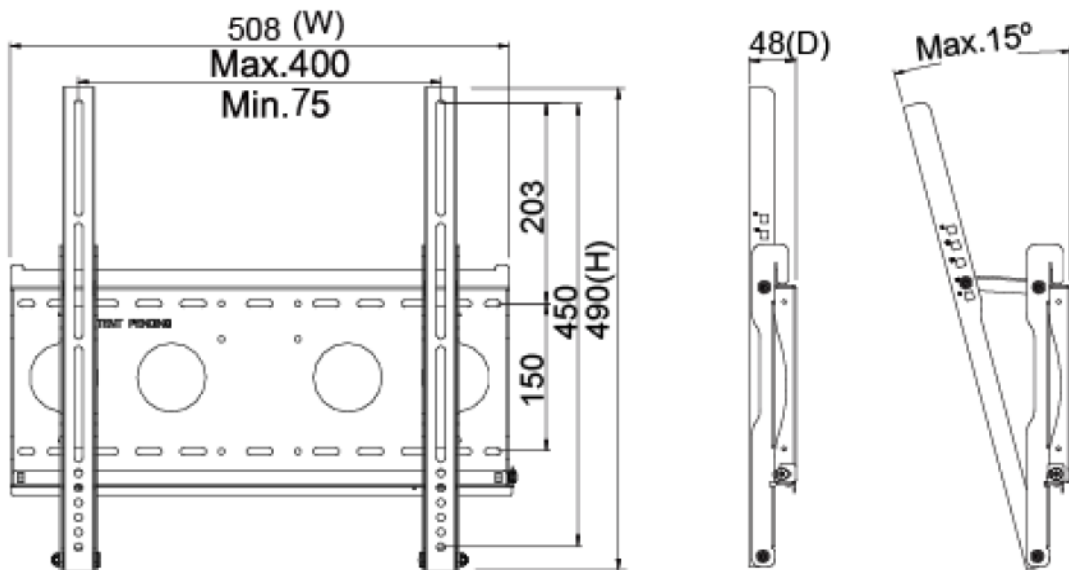
Dimension (Max)	1313x755x84(±1)mm	Net Weight	≈42.0 KG
VESA Mounting	400x400 mm	Gross Weight	≈49.5 KG



Optional Accessories (Wall Mount Bracket)



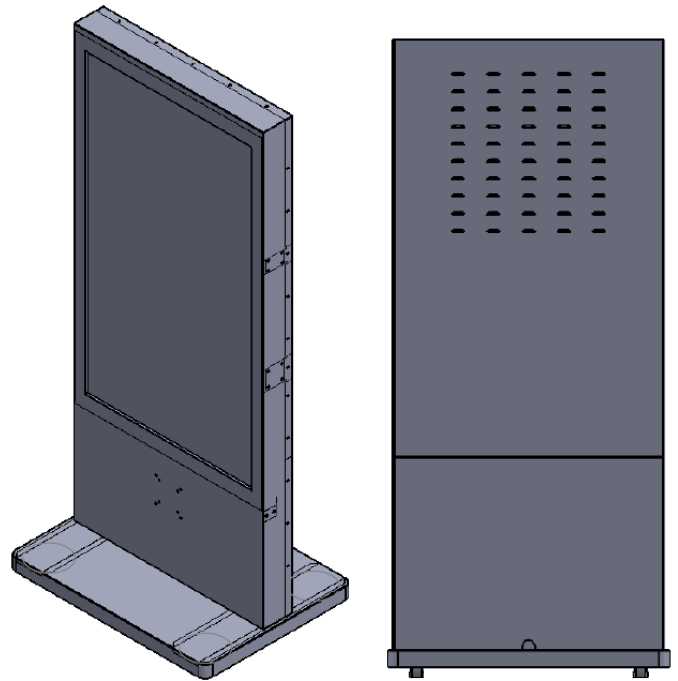
Part No.	WMB-B001		
Mounting Pattern	Max. 400x450 mm	Dimension (WxHxD)	508x490x48 mm
Material	SECC	Net Weight	4.01 KG
Tilt (Hinge)	0°/5°/10°/13°/15°	Support Max. Weight	80 KG
Screw Type	M4/M5/M6/M8	Min. Distance to The Wall	48 mm



Optional Accessories (KIOSK Cabinet)



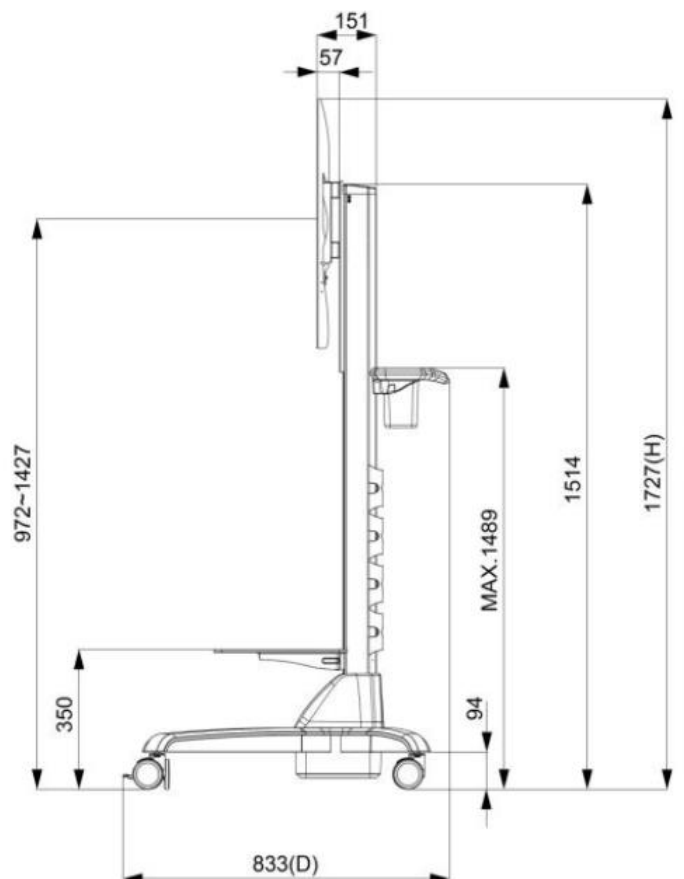
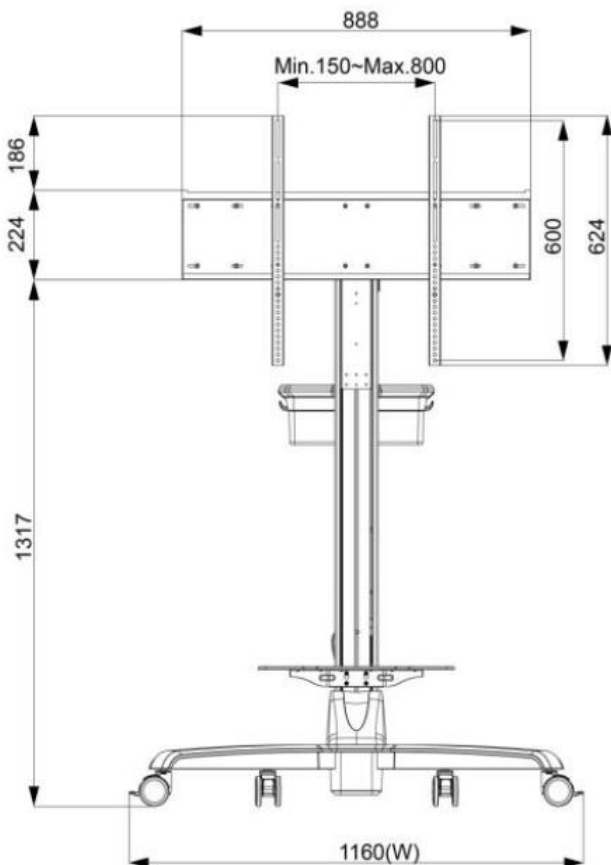
Material	SECC
Caster	4 (front 2 braking)



Optional Accessories (Cart)



Net Weight	28.4 KG
Power System	AC 200~240V 50/60Hz
User Interface	Button (up/down)
Packaged Dimension	W1160xD833xH1727 mm
Screw Type	M4/M5/M6/M8
Material	Aluminum/Plastic/Steel
Max. Mount Pattern	800x600mm
Max. Weight Load	80 KG
Caster	4 (front 2 braking)
Height Adjust Range	455 mm
RoHS/REACH	Yes



Packing Information



Dimensions of Carton	1530x960x230 mm
Net Weight	≤42.0 KG
Gross Weight	≤49.5 KG