

Product Specifications

Customer	
Model	NTM121 V001



Records of Revision			
Vision	Modifying	Old Description	New Description
v1708.1	Preliminary Specifications		
v1708.2	Change TFT-LCD	Contrast 700:1	1000:1
		16.2M colors	16.7M colors
		Response time 11ms	25ms
		Viewing angle 160°/140°	178°/178°
V1708.3	Remove RS232 OSD Remote Function		
v1708.4	1. Add Antibacterial Film Option 2. Add Color Options		

Features

- ★ 12.1" 1024x768(XGA 4:3) Resolution
- ★ Viewing Angle 178°/178°
- ★ Wide Operating Temperature (-30~70°C)
- ★ Resistive/Capacitive Touch Options
- ★ Metal Cabinet with Diverse Combine Options
- ★ Made in Taiwan, 3 Years Warranty
- ★ Designed for Harsh Environments
- ★ Optional High Brightness/Sunlight Readable
- ★ Optional AG/AR/AF/AS Film
- ★ **Optional Antibacterial Film Option, disinfects 99.99% of Harmful Bacteria**



Side Brackets



Desktop Stand



Wall Mounting



PSE



BSMI



FCC



CE



RoHS



ISO9001

Display Specifications

Model Name	NTM121XXXXXD-001 *	Display Mode	AAS Type, Normally Black
Screen Diagonal	12.1 inch	Response Time	25 msec.
Display Area	245.76x184.32 mm	Backlight Unit	LED (white LED)
Resolution	1024x768 (XGA)	Viewing Angle (L/R, U/D)	178°/178° (CR_≥10)
Contrast Ratio	1000:1	Backlight Lifetime	30000 HRS
Display Ratio	4:3	Operating Temp.	-30~70°C
Support Color	16.7M Colors	Storage Temp.	-40~80°C
Pixel Pitch	0.240x0.240 mm	Surface Treatment	Anti-glare, 3H

* X = A~Z, 0~9 (Depends on Options.)

Input /Output System

	Description	Connector
Video Input	VGA+DVI	D-sub 15pin/DVI-D
Audio Input	Stereo	TRS Connector Φ3.5mm (Earphone Jack)
Speakers	2W x2	
Power Input	DC12V	DC Power Jack Φ2.1mm



VGA+DVI



Speakers

Supported OS

Windows	Win10, Win8, Win7 , Vista, XP, Embedded XP, Win2000, CE.NET 4.x ↑
Linux	Kernel 2.6.24 ↑
Android	3.0 ↑
Mac	10.5.x ↑ (Intel CPU)



General Options

Brightness			
	Brightness	Environment	Model Name
Standard	500nits	General (Indoor Environment)	NTM121XXXXNXD-001
Option 1	1000nits	Outdoor Environment	NTM121XXXX A XD-001
Option 2	1500nits	Sunlight Readable	NTM121XXXX F XD-001

Material of Cabinet		
	Description	Model Name
Standard	Galvanized steel (SECC)	NTM121XXXXXSD-001
Option 1	Stainless Steel	NTM121XXXXX L D-001
Option 2	Aluminum	NTM121XXXXX A D-001

Color of Cabinet		
	Description	Model Name
Standard	Black	NTM121XXBXXXD-001
Option 1	White	NTM121XX W XXXD-001
Option 2	Sliver	NTM121XX S XXXD-001
Options	Other Color	NTM121XX X XXXD-001

* X = A~Z, 0~9 (Depends on Color)

Accessories

Item	Description	Quantity
VGA Cable	D-Sub 15Pin Male to Male, 1.2 Meter	1
Audio cable	3.5mm Headset Jack, Male to Male, 1.2 Meter	1
AC-DC Adapter	4.16A/12V with CE/FCC/CCC/UL/RoHS/PSE/JET Certification	1
Power cord	*Country Specific	1
USB Cable	A type, Male to Male, 1.5 Meter *(only for touch monitor)	1

Touch Options

Non-Touch			
Model No.	NTM121 <u>0</u> XXXXXD-001		

Resistive Touch			
Model No.	NTM121 <u>5</u> XXXXXD-001	Transparency	80%±5%
Touch Screen	5 Wire Resistive Touch	Precision	98.50%
Allowed touch points	1 point	Surface Treatment	Anti-glare <15%
Interface	USB/RS232	Hardness	≥3H

Projected Capacitive Touch			
Model No.	NTM121 <u>Y</u> XXXXXD-001	Transparency	≥90%±3%
Touch Screen	Projected Capacitive	Accuracy	99.00%
Allowed touch points	10 points	Surface Treatment	Tempered
Interface	USB	Hardness	≥7H

Active Stylus Option	
Technology	Active Capacitive Coupled
Working Frequencies	90~250 KHZ
Pressure Level	256~1024 Levels
Side Buttons	2 Side Buttons (Eraser, Barrel)
Active Tip Force	5~25g
Max. Tip Force	400g

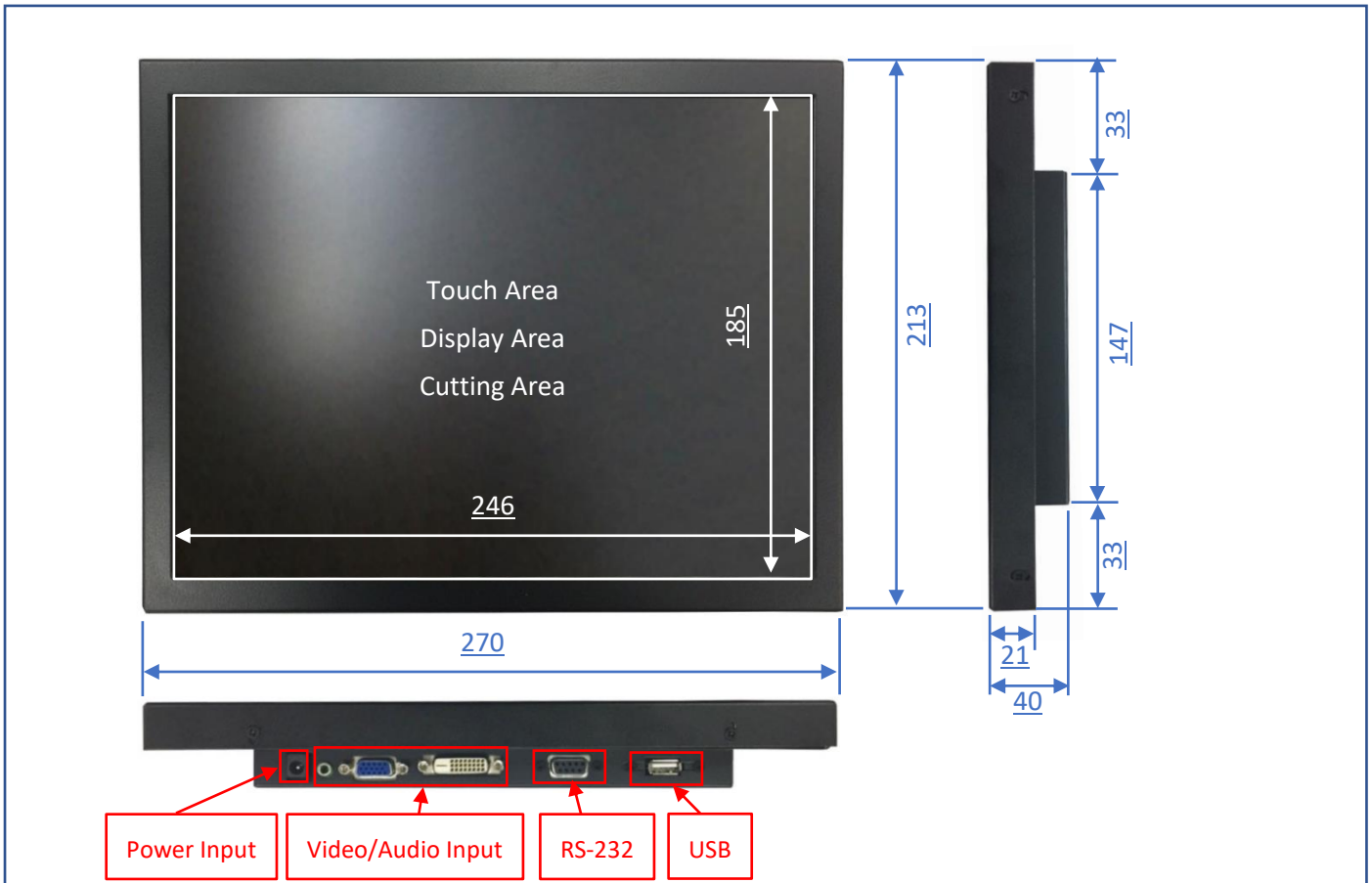


Surface Film Options	
Standard	(none)
Option	Antibacterial (AB Film)
Option	Anti-Glare (AG Film)
Option	Anti-Reflective (AR Film)
Option	Anti-Fouling/Fingerprint (AFP Film)
Option	Anti-Spy (AS Film)
Option	UV-Cut (UV Film)



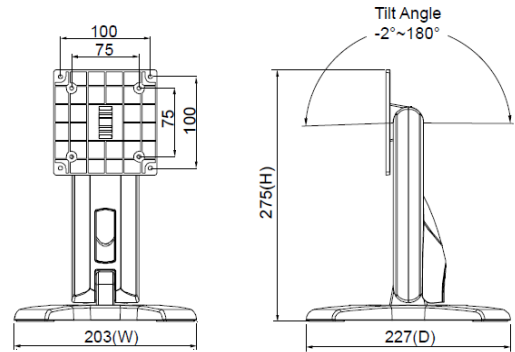
Physical Specifications

Dimension (Max)	270x213x40(±1)mm	Net Weight	≤2.5 KG
VESA Mounting	75x75 mm	Gross Weight	≤3.5 KG

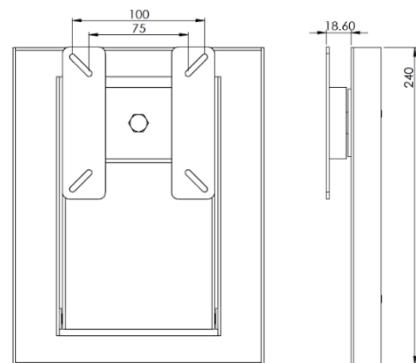


Optional Accessories (Desktop Stand)

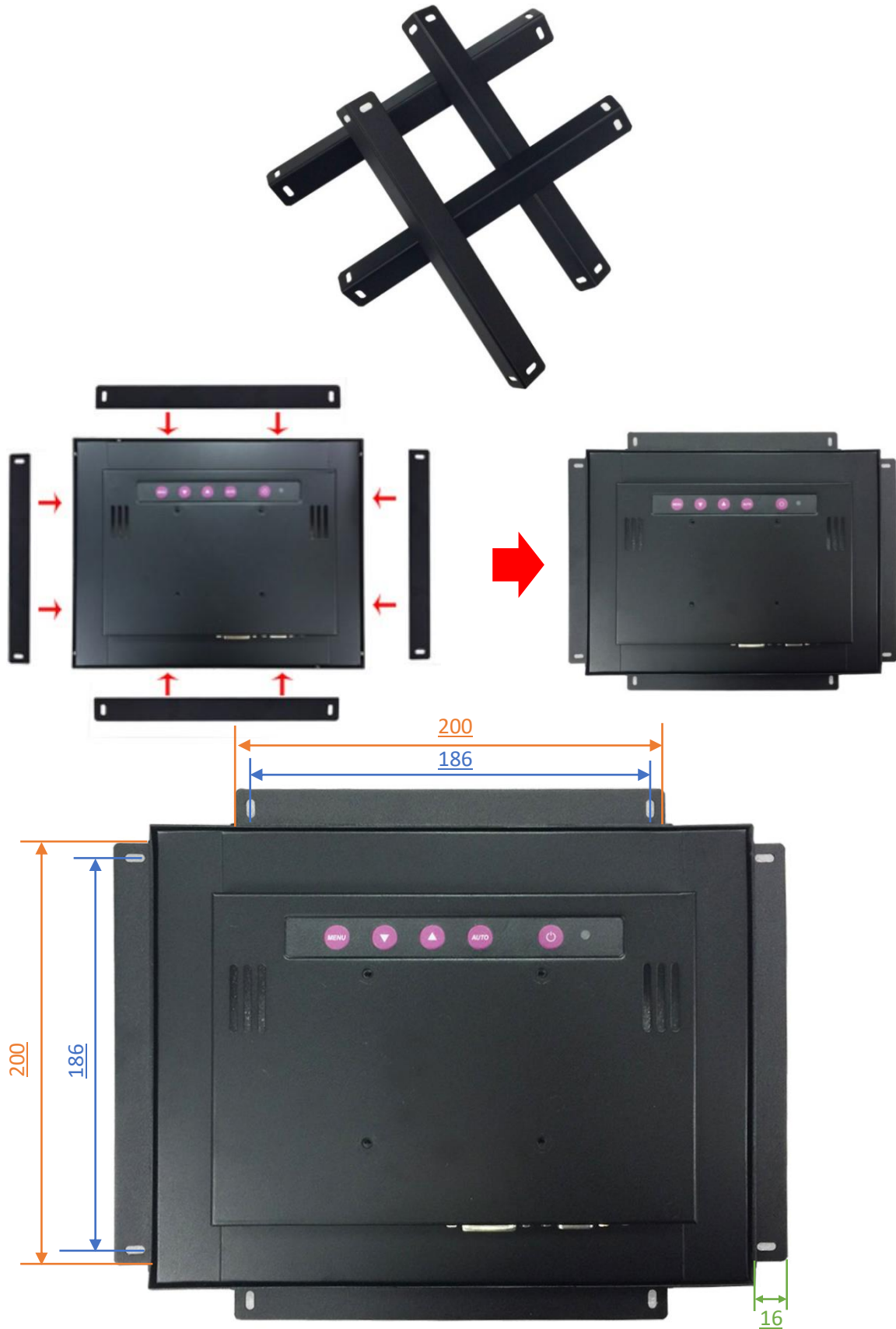
Item	B Stand	Part No.	DST-0B001/DST-1B001
Mounting Pattern	100x100 / 75x75 mm	Dimension (WxHxD)	203x275x227 mm
Material	Steel/Plastic/Aluminum	Net Weight	1.8 KG
Tile (Hinge)	-2° ~+180°	Support Max. Weight	15 KG



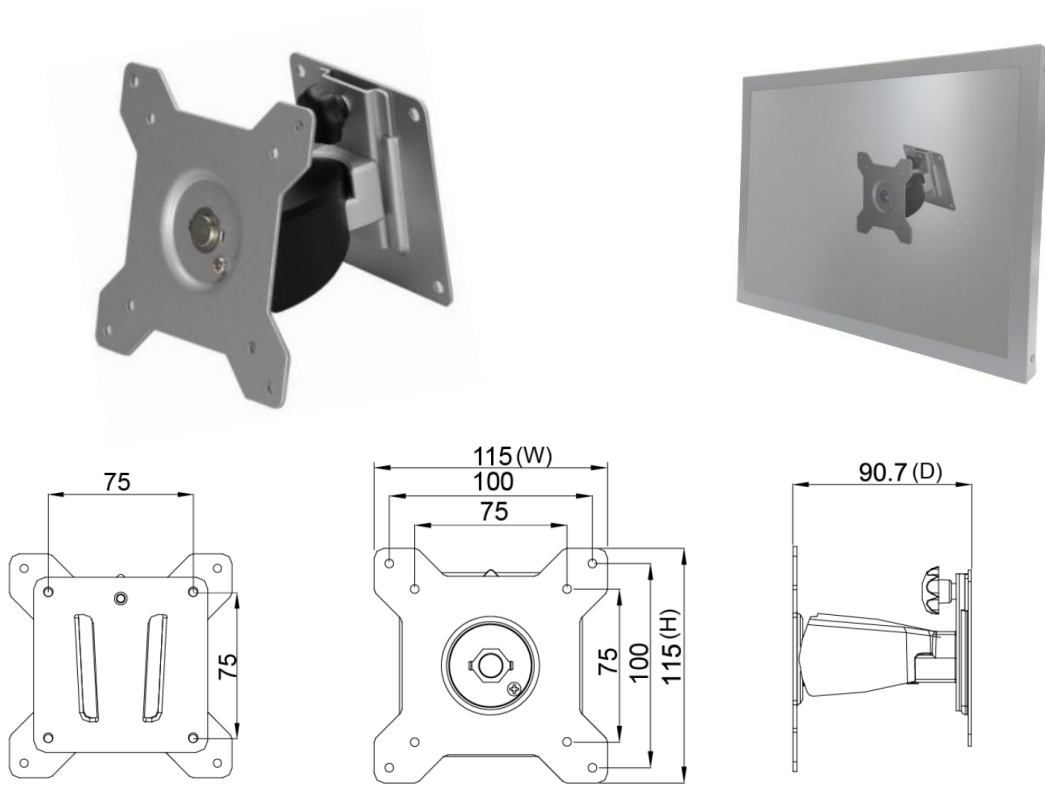
Item	Z Stand	Part No.	DST-0BZ02/DST-1BZ02
Mounting Pattern	100x100 / 75x75 mm	Dimension (WxHxD)	190x240x41.6
Material	SECC	Net Weight	2.6 KG
Tile (Hinge)	±360°	Support Max. Weight	15 KG



Optional Accessories (Open-frame Brackets)



Optional Accessories (Wall Mount Bracket)



Packing Information



Dimensions of Carton	390x320x90 mm
Net Weight	≤2.5 KG
Gross Weight	≤3.5 KG

Optional Accessories (Desktop Stand or Arm)



- 273x180x265 mm
- 1.07 KG
- Support 12 KG



- 620x556x123 mm
- 3 KG
- Support 10 KG



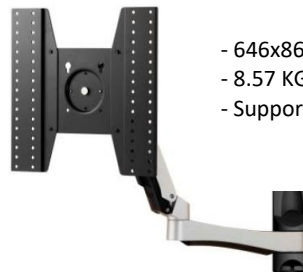
- 250x192x445 mm
- 1.4 KG
- Support 12 KG



- 655x858.5x563 mm
- 7.56 KG
- Support 30 KG



- 158x403x144 mm
- 2.12 KG
- Support 12 KG



- 646x861x953.5 mm
- 8.57 KG
- Support 30 KG



- 423x403x240 mm
- 1.91 KG
- Support 12 KG



- 1300x403x307 mm
- 5.3 KG
- Support 8 KG (2.7 KG Each)



- 715x393x144 mm
- 3.68 KG
- Support 12 KG (6 KG Each)

