



Product Specifications

Customer	
Model	NTM156 V022



Records of Revision			
Vision	Modifying	Old Description	New Description
v1909.1	Preliminary Specifications		
v1909.2	1. Change Standard Video Input 2. Add Antibacterial Film Option 3. Add Color Options	Standard : VGA+DVI	VGA+HDMI+DP

Features

- ★ 15.6 inch, 16:9/1920x1080 (FHD) Resolution
- ★ AHVA Wide Viewing Angle 178°/178°
- ★ Wide Operating Temperature -20~70°C
- ★ Resistive/Capacitive Touch Options
- ★ Video Input (VGA/DVI/HDMI/DP)
- ★ Metal Cabinet with Diverse Combine Options
- ★ Made in Taiwan, 3 Years Warranty
- ★ Designed for Harsh Environments
- ★ Optional High Brightness/Sunlight Readable
- ★ Optional 9~36VDC Power Input
- ★ Optional Software Remote Control by RS232
- ★ Optional AG/AR/AF/AS Film
- ★ **Optional Antibacterial Film Option, disinfects 99.99% of Harmful Bacteria**



Side Brackets



Desktop Stand



Wall Mounting



PSE



BSMI



FCC



CE



RoHS



ISO9001

Display Specifications

Model Name	NTM156X0XXXXX-022 *	Display Mode	AHVA, Normally Black
Screen Diagonal	15.6 inch	Response Time	25 msec.
Display Area	344.2x193.6 mm	Backlight Unit	LED (white LED)
Resolution	1920x1080 (FHD)	Viewing Angle (L/R, U/D)	178°/178° (CR _≥ 10)
Contrast Ratio	1000:1	Backlight Lifetime	50000 HRS
Display Ratio	16:9	Operating Temp.	-20~70°C
Support Color	16.7M Colors	Storage Temp.	-20~70°C
Pixel Pitch	0.17925x0.17925 mm	Surface Treatment	Anti-glare, 3H

* X = A~Z, 0~9 (Depends on options)

Audio System

	Description	Connector
Audio Input	Stereo	TRS Connector Φ3.5mm (Earphone Jack)
Speakers	2W x2	



Speakers

Accessories

Item	Description	Quantity
VGA Cable	D-Sub 15Pin Male to Male, 1.2 Meter	1
Audio cable	3.5mm Headset Jack, Male to Male, 1.2 Meter	1
AC-DC Adapter	4.16A/12V with CE/FCC/CCC/UL/RoHS/PSE/JET Certification	1
Power cord	*Country Specific	1
USB Cable	A type, Male to Male, 1.5 Meter *(only for touch monitor)	1

General Options

Brightness			
	Brightness	Environment	Model Name
Standard	500nits	General (Indoor Environment)	NTM156X0XXNXX-022
Option 1	1000nits	Outdoor Environment	NTM156X0XXAXX-022
Option 2	1500nits	Sunlight Readable	NTM156X0XXFXX-022

Video Input		
	Connectors	Model Name
Standard	VGA+HDMI+DP	NTM156XXXXXX3-022
Option	VGA+HDMI	NTM156XXXXXX2-022



Standard / VGA+HDMI+DP



Option / VGA+HDMI

Power Input	
	Description
Standard	12VDC , Lockable Jack Φ2.1mm
Option	9~36DC , Lockable Jack Φ 2.1mm



Lockable Power Jack



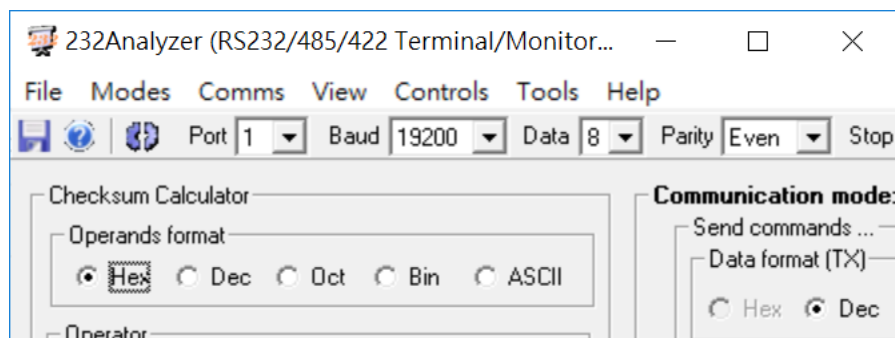
General Options (Continued)

Material of Cabinet		
	Description	Model Name
Standard	Galvanized steel (SECC)	NTM156X0XXXSX-022
Option 1	Stainless Steel	NTM156X0XXXLX-022
Option 2	Aluminum	NTM156X0XXXAX-022

Color of Cabinet		
	Description	Model Name
Standard	Black	NTM156XXBXXXX-022
Option 1	White	NTM156XXWXXXX-022
Option 2	Sliver	NTM156XXSXXXX-022
Options	Other Color	NTM156XXSXXXX-022

* X = A~Z, 0~9 (Depends on Color)

OSD Control		
	Item	Description
Standard	Button	Rear Physical Button
Option	Software Remote Control	Software Remote Control by RS232/Serial Port



* Software Remote Control

Touch Options

Non-Touch			
Model No.	NTM156 <u>0</u> XXXXXX-022		

Resistive Touch			
Model No.	NTM156 <u>5</u> XXXXXX-022	Transparency	80%±5%
Touch Screen	5 Wire Resistive Touch	Precision	98.50%
Allowed touch points	1 point	Surface Treatment	Anti-glare <15%
Interface	USB/RS232	Hardness	≥3H

Projected Capacitive Touch			
Model No.	NTM156 <u>Y</u> XXXXXX-022	Transparency	≥90%±3%
Touch Screen	Projected Capacitive	Accuracy	99.00%
Allowed touch points	10 points	Thickness of Cover Lens	1.8±0.1 mm
Interface	USB/RS232 (Optional)	Hardness	≥7H

Active Stylus Option	
Technology	Active Capacitive Coupled
Working Frequencies	90~250 KHZ
Pressure Level	256~1024 Levels
Side Buttons	2 Side Buttons (Eraser, Barrel)
Active Tip Force	5~25g
Max. Tip Force	400g

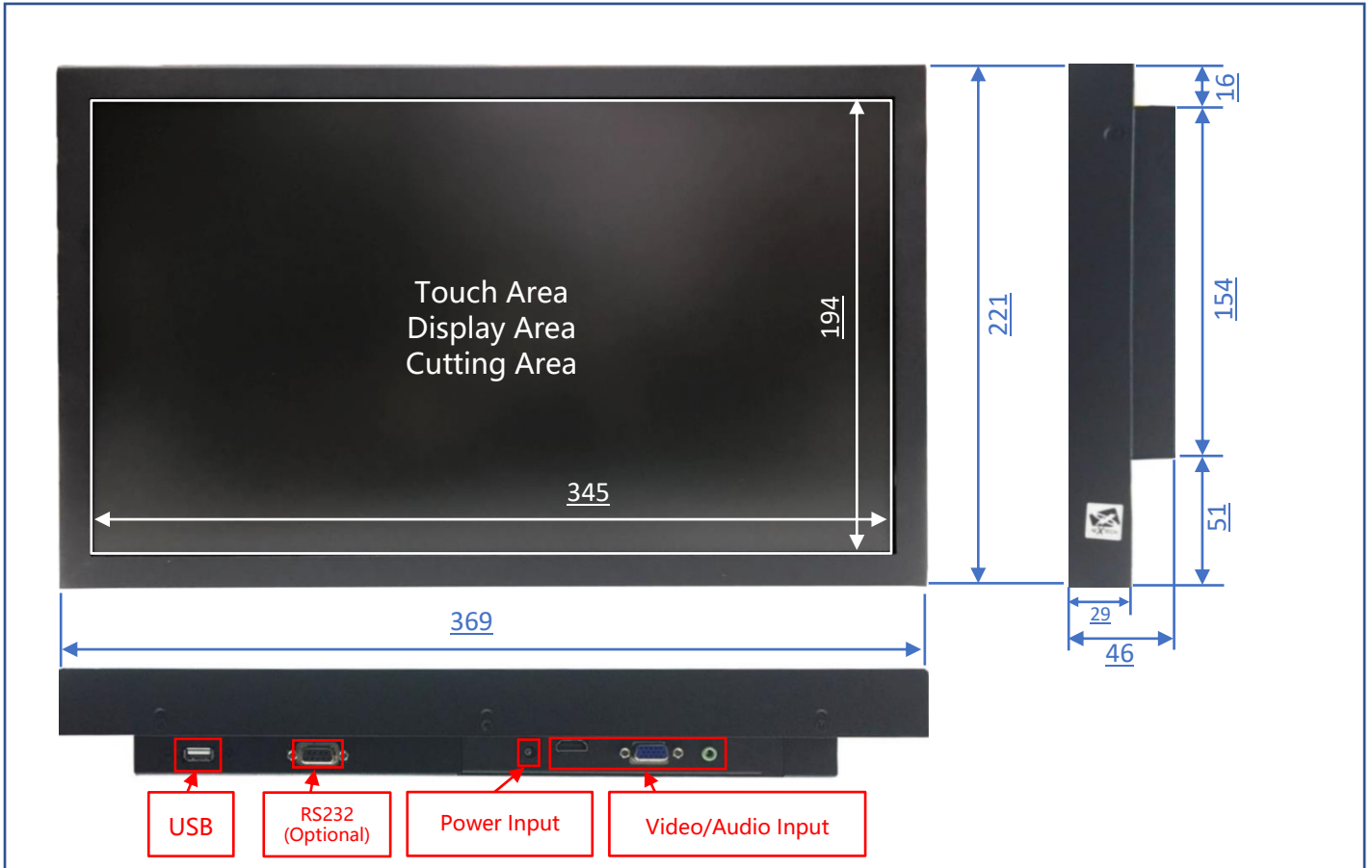


Surface Film Options	
Standard	(none)
Option	Antibacterial (AB Film)
Option	Anti-Glare (AG Film)
Option	Anti-Reflective (AR Film)
Option	Anti-Fouling/Fingerprint (AFP Film)
Option	Anti-Spy (AS Film)
Option	UV-Cut (UV Film)



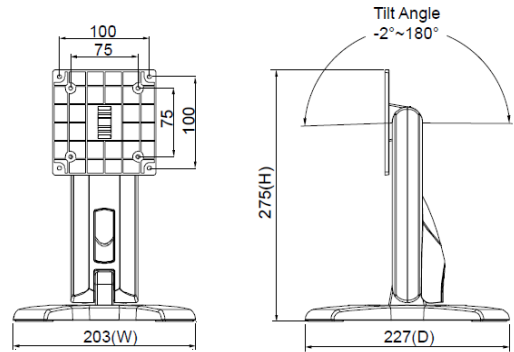
Physical Specifications

Dimension (Max)	369x221x46(±1)mm	Net Weight	≈3.2 KG
VESA Mounting	75x75 mm	Gross Weight	≈5.3 KG

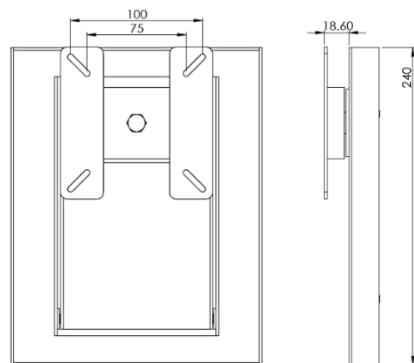


Optional Accessories (Desktop Stand)

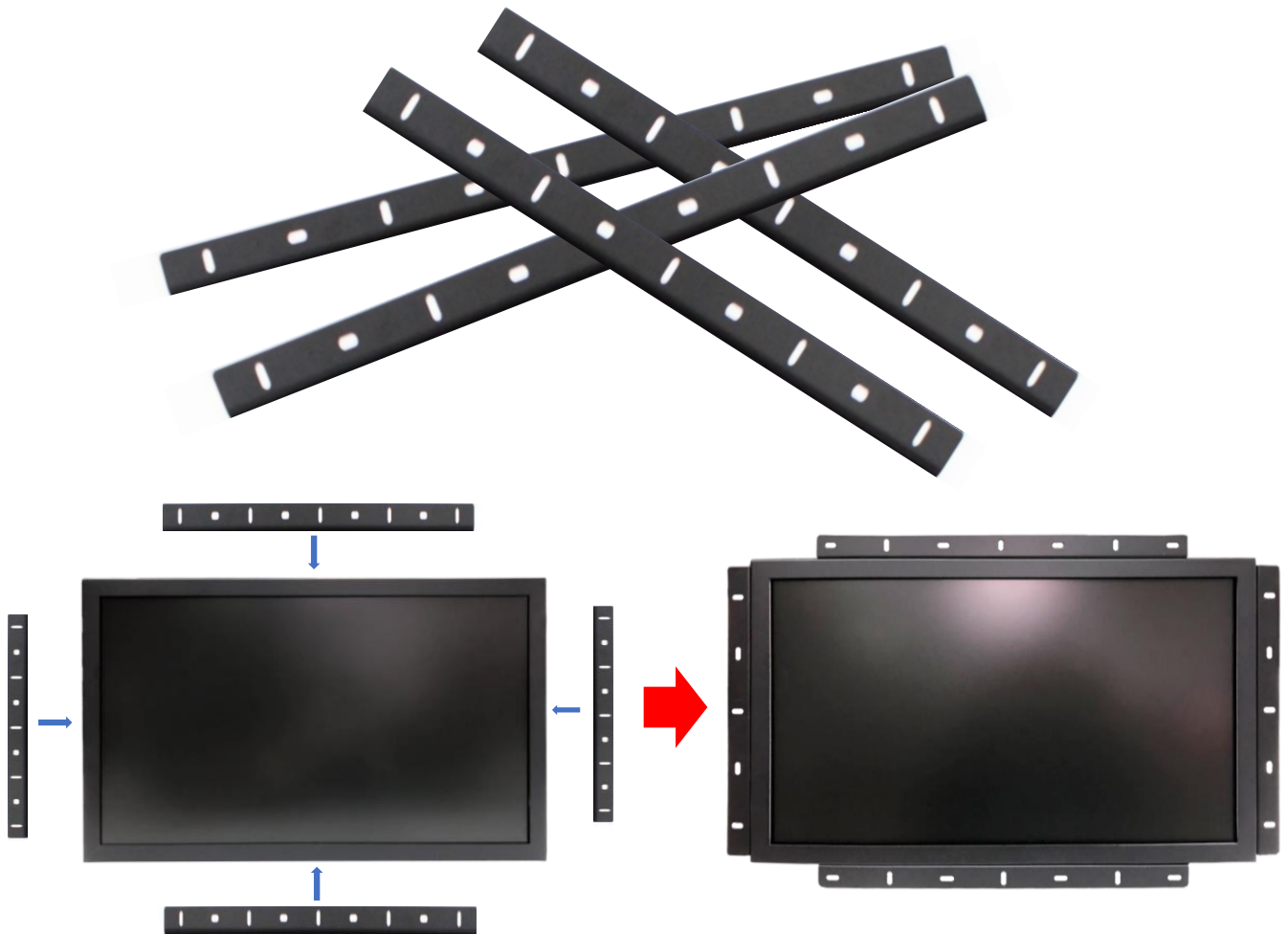
Item	B Stand	Part No.	DST-0B002/DST-1B002
Mounting Pattern	100x100 / 75x75 mm	Dimension (WxHxD)	203x275x227 mm
Material	Steel/Plastic/Aluminum	Net Weight	1.8 KG
Tile (Hinge)	-2° ~+180°	Support Max. Weight	15 KG



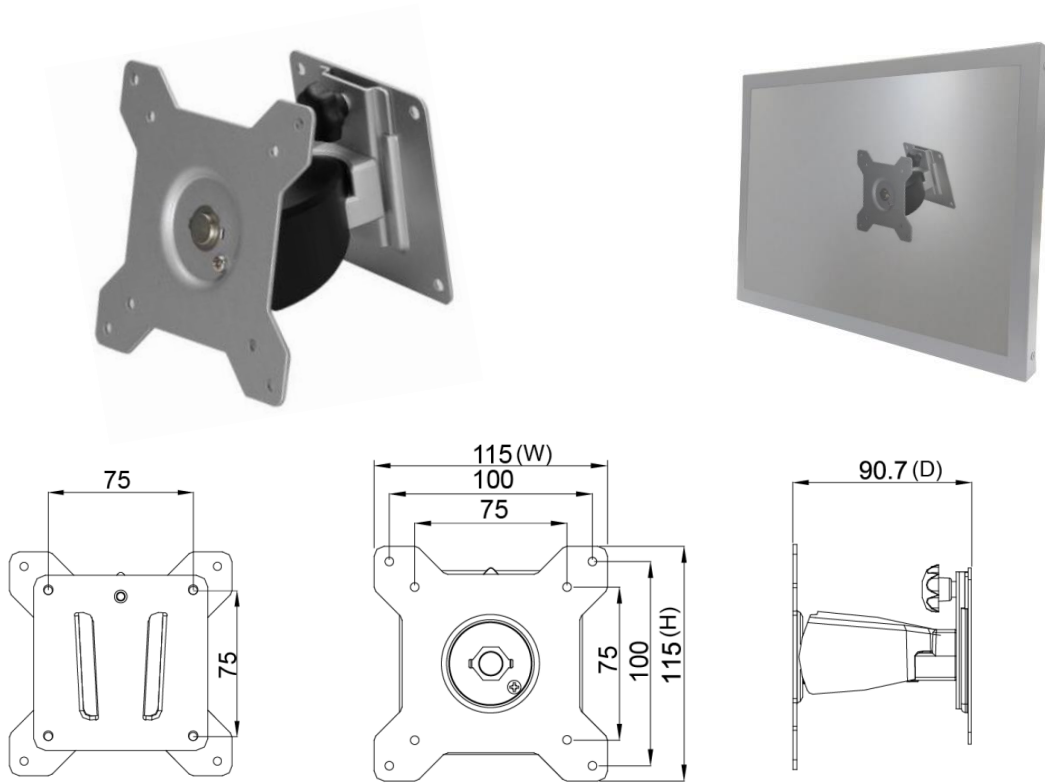
Item	Z Stand	Part No.	DST-0BZ01/DST-1BZ01
Mounting Pattern	100x100 / 75x75 mm	Dimension (WxHxD)	190x240x41.6
Material	SECC	Net Weight	2.6 KG
Tile (Hinge)	±360°	Support Max. Weight	15 KG



Optional Accessories (Open-frame Brackets)



Optional Accessories (Wall Mount Bracket)



Packing Information



Dimensions of Carton	500x500x150 mm
Net Weight	≈ 3.2 KG
Gross Weight	≈ 5.3 KG

Optional Accessories (Desktop Stand or Arm)



- 273x180x265 mm
- 1.07 KG
- Support 12 KG



- 620x556x123 mm
- 3 KG
- Support 10 KG



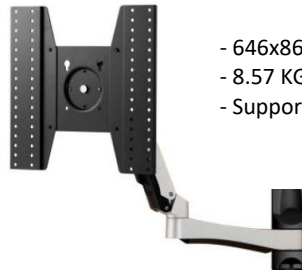
- 250x192x445 mm
- 1.4 KG
- Support 12 KG



- 655x858.5x563 mm
- 7.56 KG
- Support 30 KG



- 158x403x144 mm
- 2.12 KG
- Support 12 KG



- 646x861x953.5 mm
- 8.57 KG
- Support 30 KG



- 423x403x240 mm
- 1.91 KG
- Support 12 KG



- 1300x403x307 mm
- 5.3 KG
- Support 8 KG (2.7 KG Each)



- 715x393x144 mm
- 3.68 KG
- Support 12 KG (6 KG Each)

