



Product Specifications

Customer	
Model	NTM156 V002



Records of Revision			
Vision	Modifying	Old Description	New Description
v1709.1	Preliminary Specifications		
v1709.2	Format Updated		

Features

- ★ 15.6 inch, 16:9/1366x768 (HD) Resolution
- ★ Resistive/Capacitive Touch Options
- ★ Metal Cabinet with Diverse Combine Options
- ★ Made in Taiwan, 3 Years Warranty
- ★ Designed for Harsh Environments
- ★ Optional High Brightness/Sunlight Readable
- ★ Optional AG/AR/AF Film
- ★ Optional 9~36VDC Power Input
- ★ Optional Video Input (VGA/DVI/HDMI/DP)
- ★ Optional Software Remote Control by RS232



Side Brackets



Desktop Stand



Wall Mounting



PSE



BSMI



FCC



CE



RoHS



ISO9001

Display Specifications

Model Name	NTM156X0XXXXX-002 *	Display Mode	Normally White
Screen Diagonal	15.6 inch	Response Time	10 msec.
Display Area	344.2x193.5 mm	Backlight Unit	LED (white LED)
Resolution	1366x768 (HD)	Viewing Angle (L/R, U/D)	160°/160° (CR_≥10)
Contrast Ratio	500:1	Backlight Lifetime	50000 HRS
Display Ratio	16:9	Operating Temp.	0~60°C
Support Color	16.7M Colors	Storage Temp.	-20~60°C
Pixel Pitch	0.252x0.252 mm	Surface Treatment	Anti-glare, 3H

* Depends on options.

Audio System

	Description	Connector
Audio Input	Stereo	TRS Connector Φ3.5mm (Earphone Jack)
Speakers	2W x2	



Speakers

Accessories

Item	Description	Quantity
VGA Cable	D-Sub 15Pin Male to Male, 1.2 Meter	1
Audio cable	3.5mm Headset Jack, Male to Male, 1.2 Meter	1
AC-DC Adapter	4.16A/12V with CE/FCC/CCC/UL/RoHS/PSE/JET Certification	1
Power cord	*Country Specific	1
USB Cable	A type, Male to Male, 1.5 Meter *(only for touch monitor)	1

General Options

Brightness			
	Brightness	Environment	Model Name
Standard	300nits	General (Indoor Environment)	NTM156X0XXNXX-002
Option 1	1000nits	Outdoor Environment	NTM156X0XXAXX-002
Option 2	1500nits	Sunlight Readable	NTM156X0XXFXX-002

Video Input		
	Connectors	Model Name
Standard	VGA+DVI	NTM156X0XXXX1-002
Option 1	VGA+HDMI	NTM156X0XXXX2-002
Option 2	VGA+HDMI+DP	NTM156X0XXXX3-002



Standard / VGA+DVI



Option 1 / VGA+HDMI



Option 2 / VGA+HDMI+DP

Power Input	
	Description
Standard	12VDC , DC Power Jack Φ2.1mm
Option 1	9~36DC , DC Power Jack Φ 2.1mm
Option 2	12VDC , DC Lockable Power Jack Φ 2.1mm



Option 2 / Lockable Power Jack

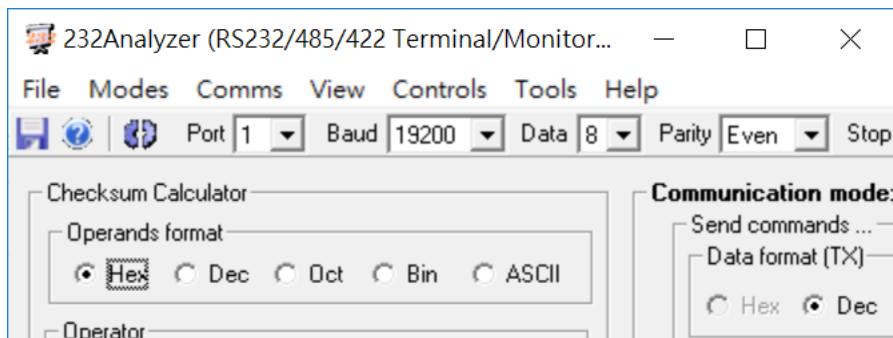


General Options

Cabinet		
	Description	Model Name
Standard	Galvanized steel (SECC)	NTM156X0XXXSX-002
Option 1	Stainless Steel	NTM156X0XXXLX-002
Option 2	Aluminum	NTM156X0XXXAX-002

Cooling Fan	
	Description
Standard	Fanless
Option	7 Blades/1.2W/4000r.p.m/Max.10.96CFM/28.3dB

OSD Control		
	Item	Description
Standard	Button	Rear Physical Button
Option	Software Remote Control	Software Remote Control by RS232/Serial Port



* Software Remote Control

Touch Options

Non-Touch			
Model No.	NTM156 <u>0</u> XXXXXX-002		

Resistive Touch			
Model No.	NTM156 <u>5</u> XXXXXX-002	Transparency	80%±5%
Touch Screen	5 Wire Resistive Touch	Precision	98.50%
Allowed touch points	1 point	Surface Treatment	Anti-glare <15%
Interface	USB/RS232	Hardness	≥3H

Projected Capacitive Touch			
Model No.	NTM156 <u>Y</u> XXXXXX-002	Transparency	≥90%±3%
Touch Screen	Projected Capacitive	Accuracy	99.00%
Allowed touch points	10 points	Thickness of Cover Lens	1.8±0.1 mm
Interface	USB/RS232 (Optional)	Hardness	≥7H

Active Stylus Option	
Technology	Active Capacitive Coupled
Working Frequencies	90~250 KHZ
Pressure Level	256~1024 Levels
Side Buttons	2 Side Buttons (Eraser, Barrel)
Active Tip Force	5~25g
Max. Tip Force	400g



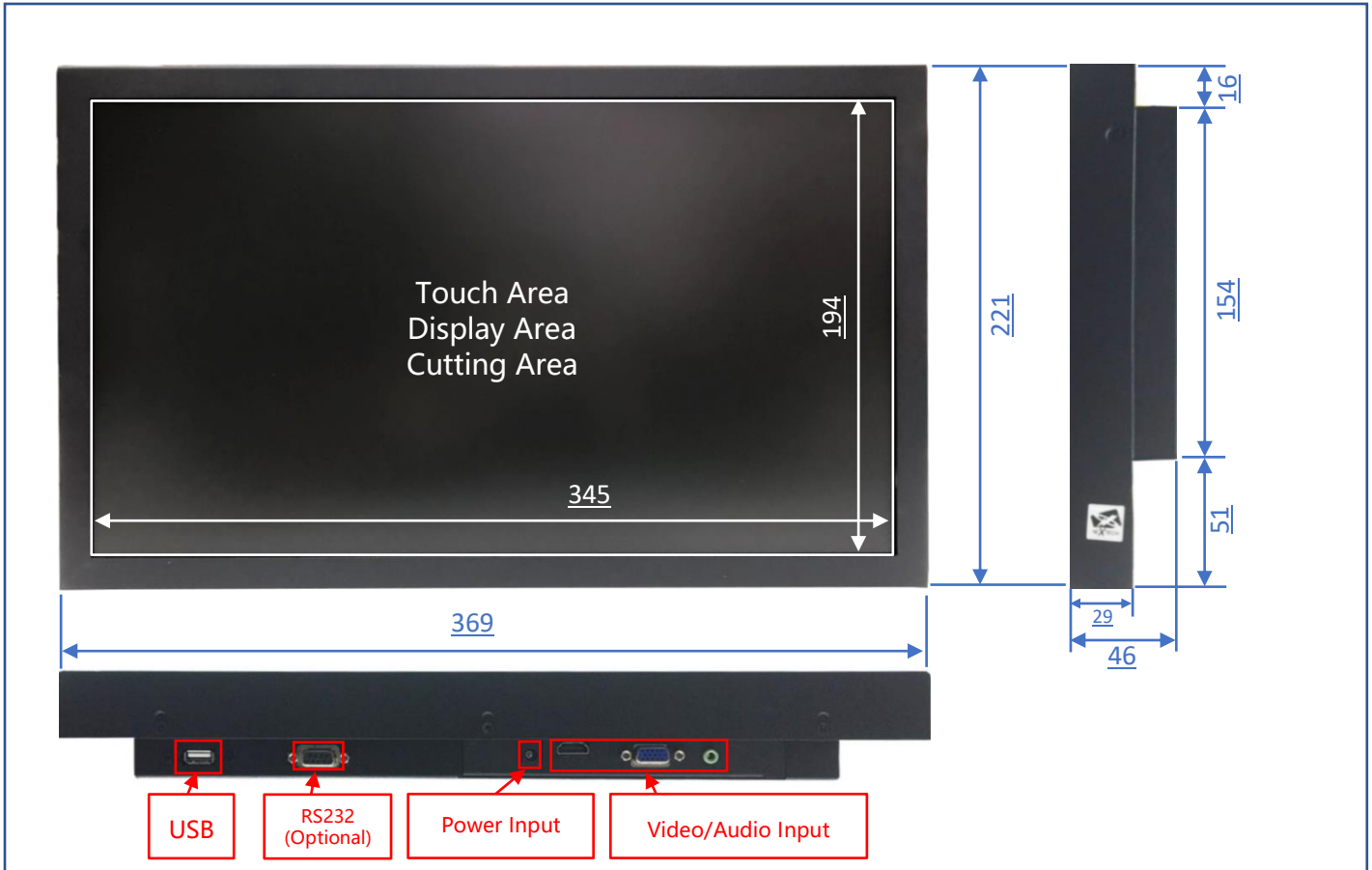
Surface Film Options	
Standard	(none)
Option	Anti-Glare (AG Film)
Option	Anti-Reflective (AR Film)
Option	Anti-Fouling/Fingerprint (AFP Film)
Option	Anti-Spy (AS Film)
Option	UV-Cut (UV Film)





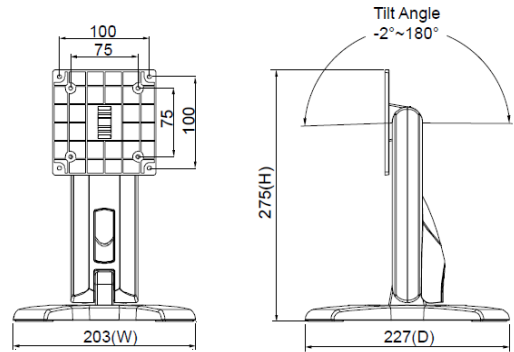
Physical Specifications

Dimension (Max)	369x221x46(±1)mm	Net Weight	≈3.2 KG
VESA Mounting	75x75 mm	Gross Weight	≈5.3 KG

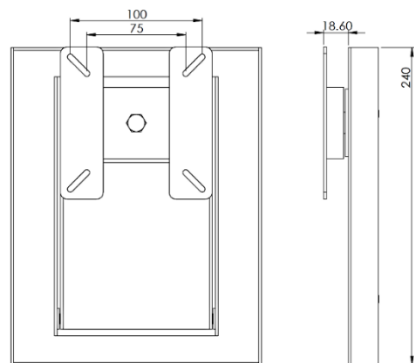


Optional Accessories (Desktop Stand)

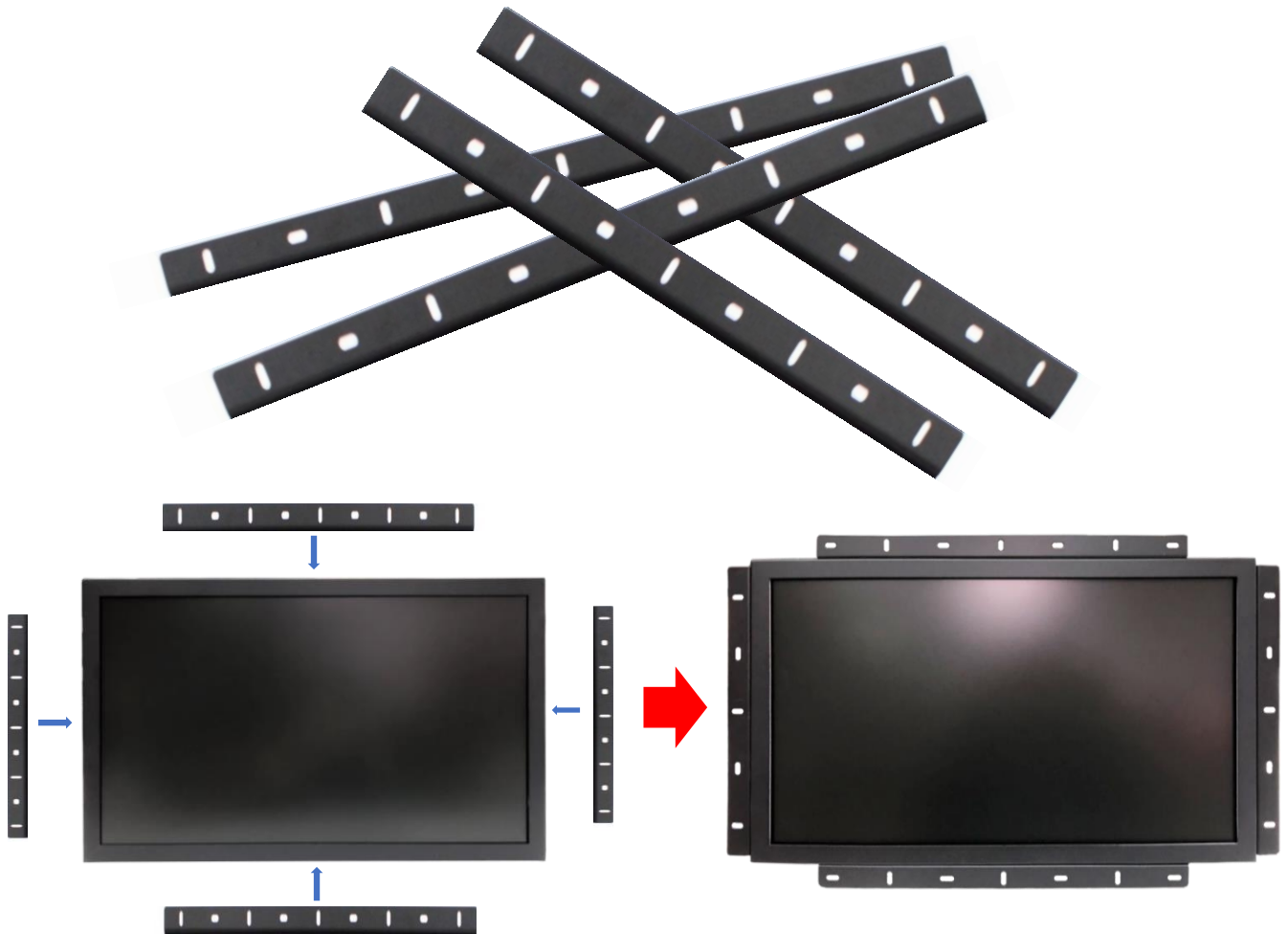
Item	B Stand	Part No.	DST-0B002/DST-1B002
Mounting Pattern	100x100 / 75x75 mm	Dimension (WxHxD)	203x275x227 mm
Material	Steel/Plastic/Aluminum	Net Weight	1.8 KG
Tile (Hinge)	-2° ~+180°	Support Max. Weight	15 KG



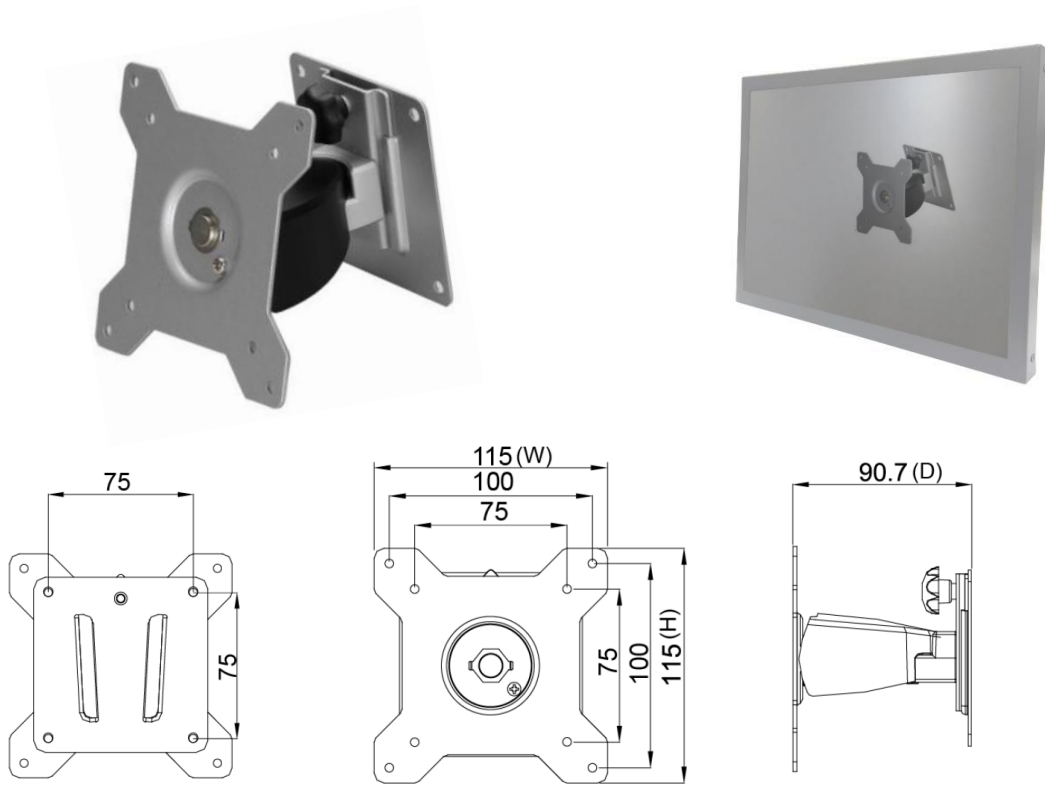
Item	Z Stand	Part No.	DST-0BZ01/DST-1BZ01
Mounting Pattern	100x100 / 75x75 mm	Dimension (WxHxD)	190x240x41.6
Material	SECC	Net Weight	2.6 KG
Tile (Hinge)	±360°	Support Max. Weight	15 KG



Optional Accessories (Open-frame Brackets)



Optional Accessories (Wall Mount Bracket)



Packing Information



Dimensions of Carton	500x500x150 mm
Net Weight	≤3.2 KG
Gross Weight	≤5.3 KG

Optional Accessories (Desktop Stand or Arm)



- 273x180x265 mm
- 1.07 KG
- Support 12 KG



- 620x556x123 mm
- 3 KG
- Support 10 KG



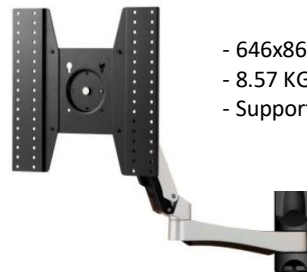
- 250x192x445 mm
- 1.4 KG
- Support 12 KG



- 655x858.5x563 mm
- 7.56 KG
- Support 30 KG



- 158x403x144 mm
- 2.12 KG
- Support 12 KG



- 646x861x953.5 mm
- 8.57 KG
- Support 30 KG



- 423x403x240 mm
- 1.91 KG
- Support 12 KG



- 1300x403x307 mm
- 5.3 KG
- Support 8 KG (2.7 KG Each)



- 715x393x144 mm
- 3.68 KG
- Support 12 KG (6 KG Each)

