



Product Specifications

Customer	
Model	NTP156 V002



Records of Revision			
Vision	Modifying	Old Description	New Description
v1711.1	Preliminary Specifications		
V1711.2	Format Updated		
V1711.3	Revise Standard Brightness	500nits	300nits

Features

- ★ 15.6" , 16:9/1366x768 (HD) Resolution
- ★ True Flat Projected Capacitive Touch Screen
- ★ 7H Hardness Tempered Cover Glass
- ★ 10 points Multi-touch , Supports Active Stylus
- ★ Metal Cabinet with Diverse Combine Options
- ★ Made in Taiwan, 3 Years Warranty
- ★ Designed for Harsh Environments
- ★ Optional High Brightness/Sunlight Readable
- ★ Optional AG/AR/AF Film
- ★ Optional 9~36VDC Power Input
- ★ Optional Video Input (VGA/DVI/HDMI/DP)
- ★ Optional Software Remote Control by RS232



Side Brackets



Desktop Stand



Wall Mounting



PSE



BSMI



FCC



CE



RoHS



ISO9001

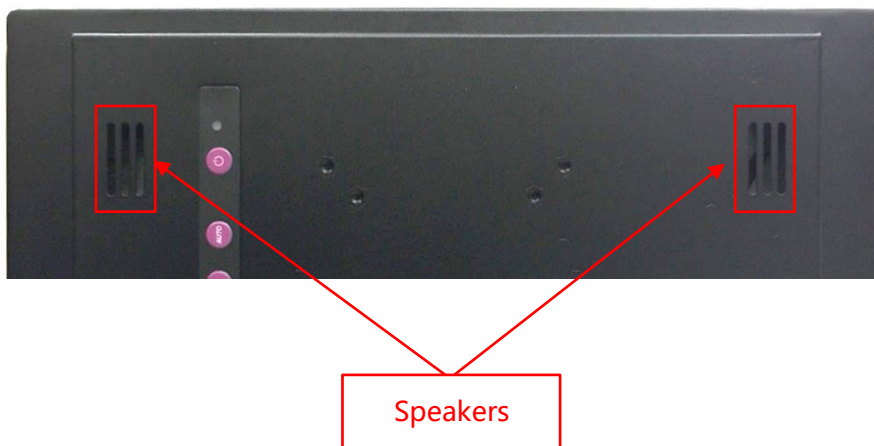
Display Specifications

Model Name	NTP156B0XUXXX-002 *	Display Mode	Normally White
Screen Diagonal	15.6 inch	Response Time	10 msec.
Display Area	344.2x193.5 mm	Backlight Unit	LED (white LED)
Resolution	1366x768 (HD)	Viewing Angle (L/R, U/D)	160°/160° (CR_≥10)
Contrast Ratio	500:1	Backlight Lifetime	50000 HRS
Display Ratio	16:9	Operating Temp.	0~60°C
Support Color	16.7M Colors	Storage Temp.	-20~60°C
Pixel Pitch	0.252x0.252 mm	Surface Treatment	Anti-glare, 3H

* Depends on options.

Audio System

	Description	Connector
Audio Input	Stereo	TRS Connector Φ3.5mm (Earphone Jack)
Speakers	2W x2	



Supported OS

Windows	Win7, Win8, Win10 ↑
Linux	Kernel 2.6.24 ↑
Android	3.0 ↑
Mac	10.5.x ↑ (Intel CPU)

General Options

Brightness			
	Brightness	Environment	Model Name
Standard	300nits	General (Indoor Environment)	NTP156B0XUNXX-002
Option 1	1000nits	Outdoor Environment	NTP156B0XUAXX-002
Option 2	1500nits	Sunlight Readable	NTP156B0XUFXX-002

Video Input		
	Connectors	Model Name
Standard	VGA+DVI	NTP156B0XUXX1-002
Option 1	VGA+HDMI	NTP156B0XUXX2-002
Option 2	VGA+HDMI+DP	NTP156B0XUXX3-002



Standard / VGA+DVI



Option 1 / VGA+HDMI



Option 2 / VGA+HDMI+DP

Power Input	
	Description
Standard	12VDC , DC Power Jack Φ2.1mm
Option 1	9~36DC , DC Power Jack Φ 2.1mm
Option 2	12VDC, DC Lockable Power Jack Φ 2.1mm



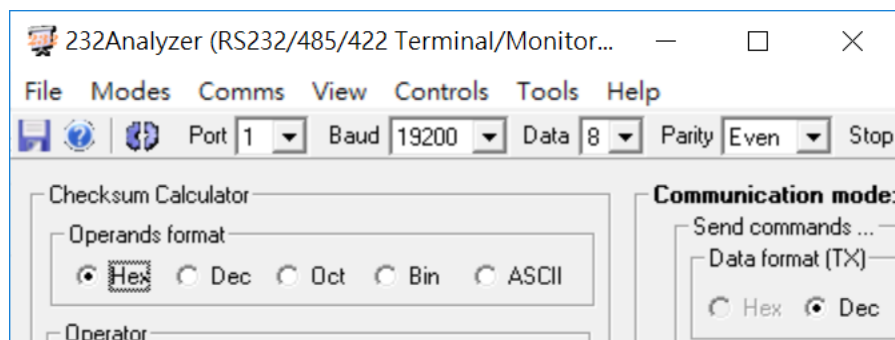
Option 2 / Lockable Power Jack

General Options

Cabinet		
	Description	Model Name
Standard	Galvanized steel (SECC)	NTP156B0XUXSX-002
Option 1	Stainless Steel	NTP156B0XUXLX-002
Option 2	Aluminum	NTP156B0XUXAX-002

Cooling Fan	
	Description
Standard	Fanless
Option	7 Blades/1.2W/4000r.p.m/Max.10.96CFM/28.3dB

OSD Control		
	Item	Description
Standard	Button	Rear Physical Button
Option	Software Remote Control	Software Remote Control by RS232/Serial Port



* Software Remote Control

Accessories

Item	Description	Quantity
VGA Cable	D-Sub 15Pin Male to Male, 1.2 Meter	1
Audio cable	3.5mm Headset Jack, Male to Male , 1.2 Meter	1
AC-DC Adapter	4.16A/12V with CE/FCC/CCC/UL/RoHS/PSE/JET Certification	1
Power cord	*Country Specific	1
USB Cable	A type, Male to Male, 1.5 Meter *(only for touch monitor)	1

Touch Specifications

Touch Technology	Projected Capacitive	Transparency	≥87%
Allowed Touch Points	10 points	Accuracy	99.00%
Interface	USB	Thickness of Cover Lens	1.8±0.05mm
Hardness of Cover Lens	7H		



Active Stylus Option	
Technology	Active Capacitive Coupled
Working Frequencies	90~250 KHZ
Pressure Level	256~1024 Levels
Side Buttons	2 Side Buttons (Eraser, Barrel)
Active Tip Force	5~25g
Max. Tip Force	400g

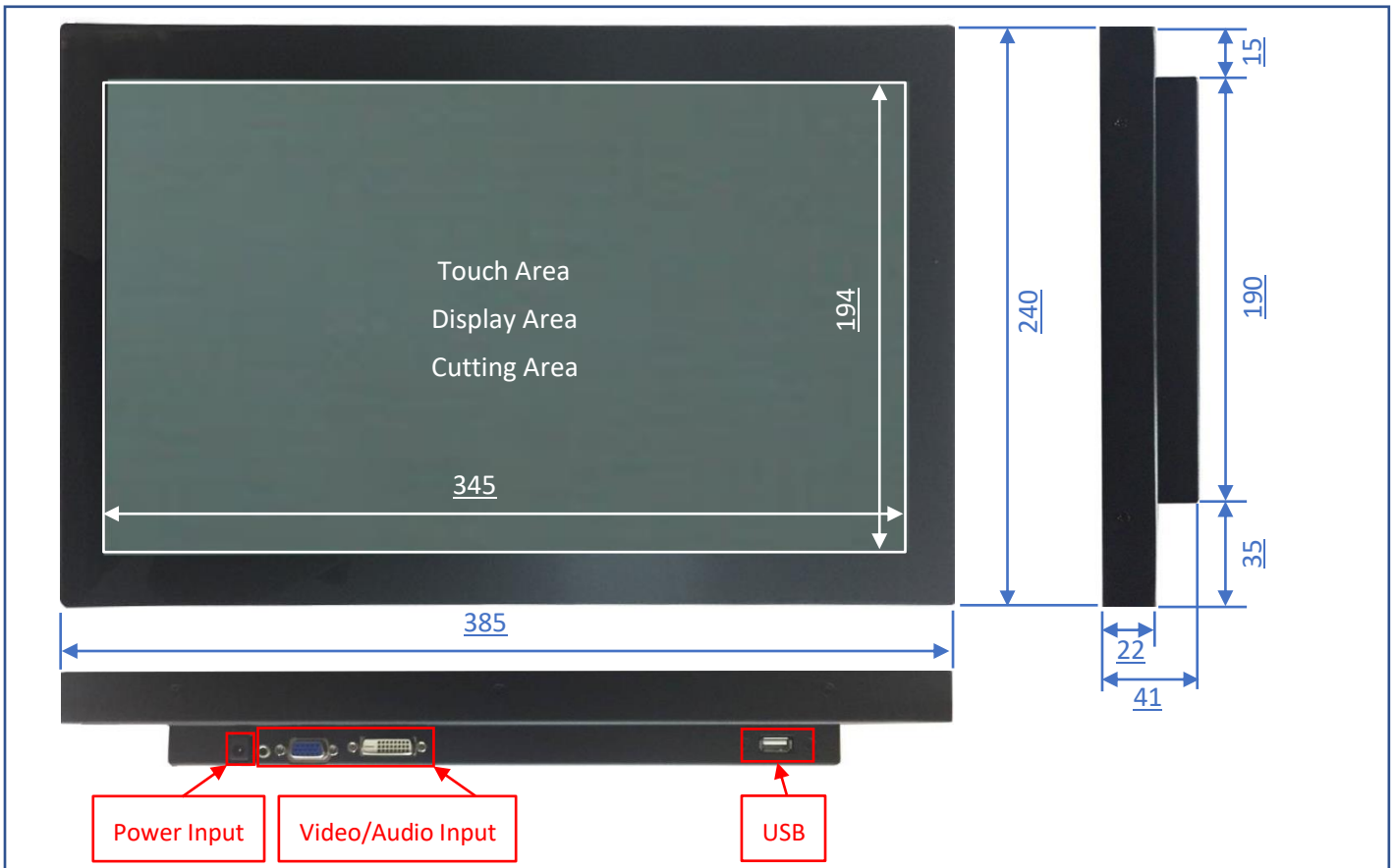


Surface Film Options	
Standard	(none)
Option	Anti-Glare (AG Film)
Option	Anti-Reflective (AR Film)
Option	Anti-Fouling/Fingerprint (AFP Film)
Option	Anti-Spy (AS Film)
Option	UV-Cut (UV Film)



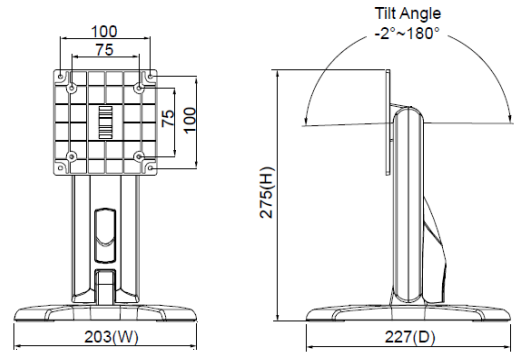
Physical Specifications

Dimension (Max)	385x240x41(±1)mm	Net Weight	3.3 KG
VESA Mounting	75x75/100x100 mm	Gross Weight	5.8 KG

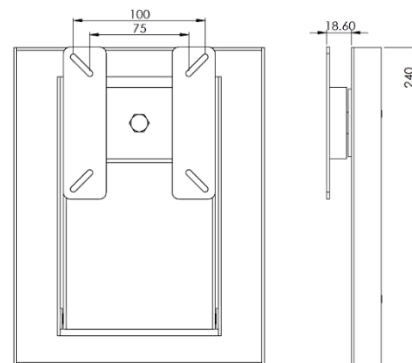


Optional Accessories (Desktop Stand)

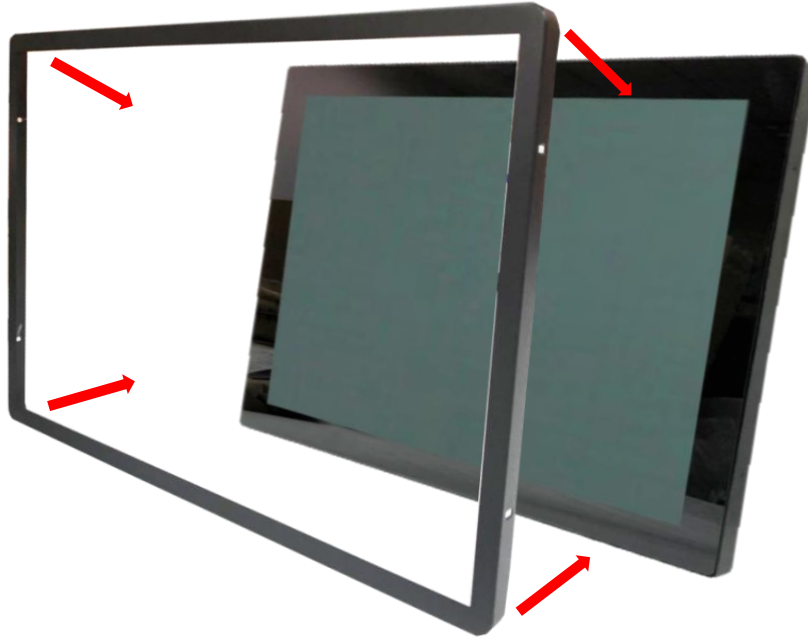
Item	B Stand	Part No.	DST-0B002/DST-1B002
Mounting Pattern	100x100 / 75x75 mm	Dimension (W/H/D)	203x275x227 mm
Material	Steel/Plastic/Aluminum	Net Weight	1.8 KG
Tile (Hinge)	-2° ~+180°	Support Max. Weight	15 KG



Item	Z Stand	Part No.	DST-0BZ01/DST-1BZ01
Mounting Pattern	100x100 / 75x75 mm	Dimension (W/H/D)	190x240x41.6
Material	SECC	Net Weight	2.6 KG
Tile (Hinge)	±360°	Support Max. Weight	15 KG



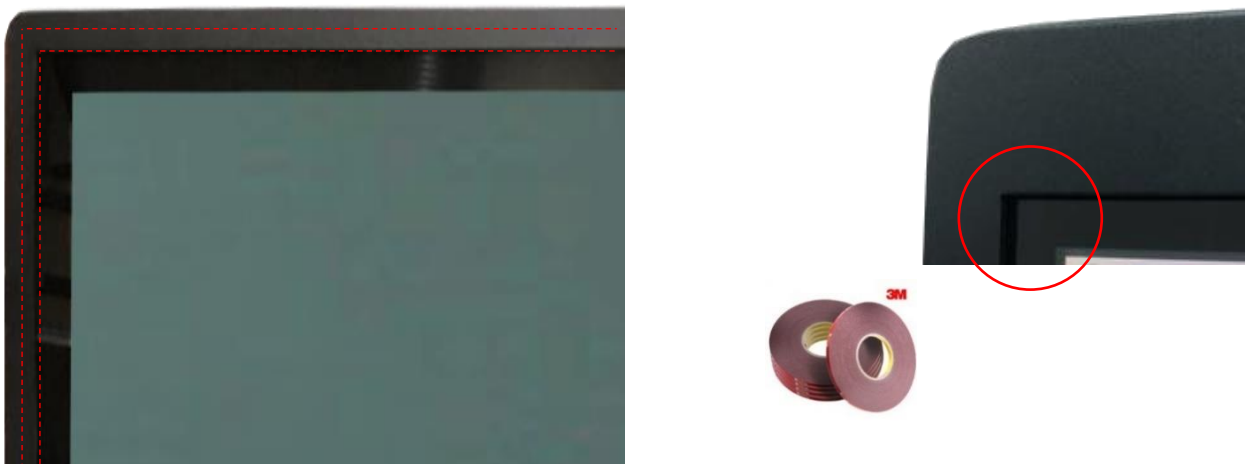
Optional Accessories (Front Cover)



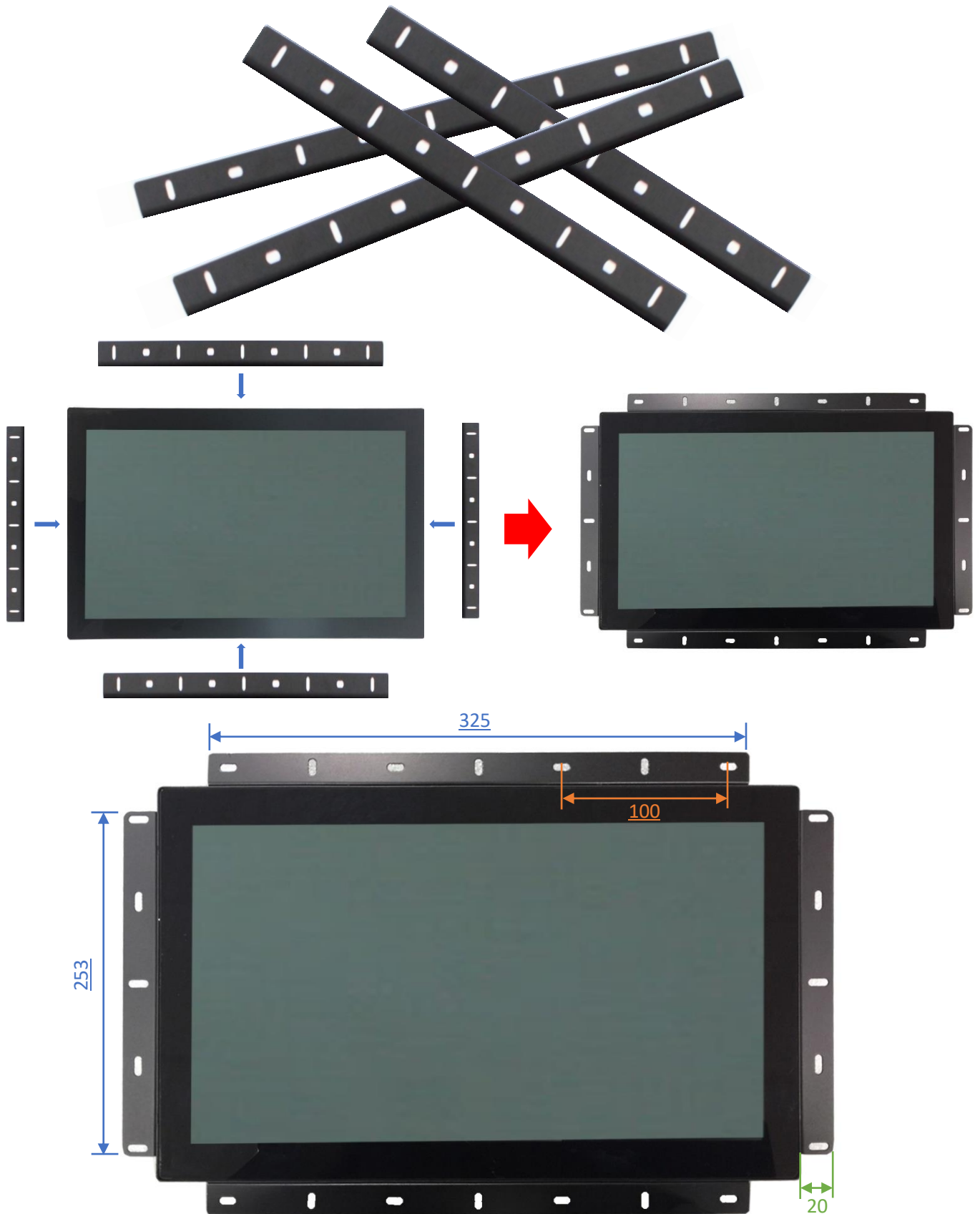
The standard **NTP156** is true flat surface, with only 1mm metal bezel.
To protect the corners of the touch screen, the **Front Cover** can be added.



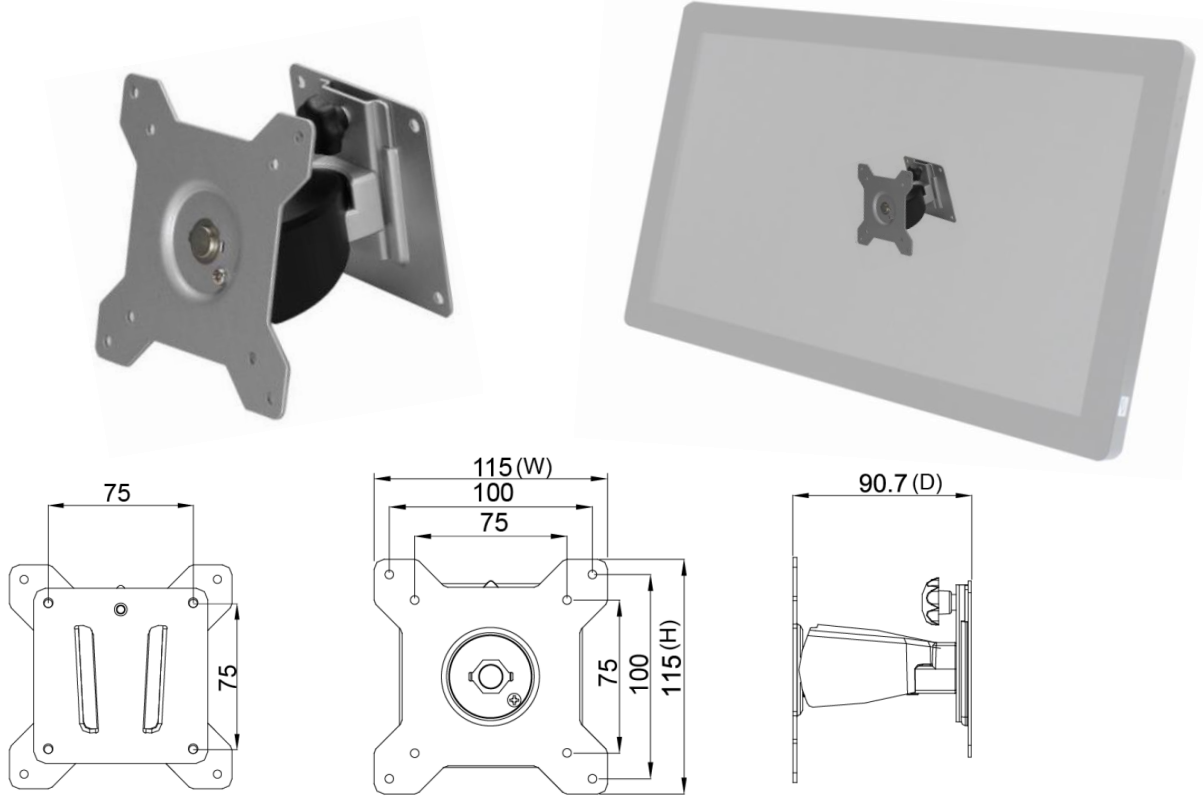
The watertight gasket can be added between the **Front Cover** and **NTP156**.
It complies IP65 on front.



Optional Accessories (Open-frame Brackets)



Optional Accessories (Wall Mount Bracket)



Packing Information



Dimensions of Carton	548x463x213 mm
Net Weight	≤ 3.3 KG
Gross Weight	≤ 5.8 KG

Optional Accessories (Desktop Stand or Arm)



- 273x180x265 mm
- 1.07 KG
- Support 12 KG



- 620x556x123 mm
- 3 KG
- Support 10 KG



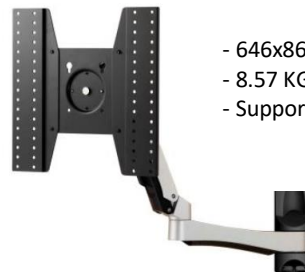
- 250x192x445 mm
- 1.4 KG
- Support 12 KG



- 655x858.5x563 mm
- 7.56 KG
- Support 30 KG



- 158x403x144 mm
- 2.12 KG
- Support 12 KG



- 646x861x953.5 mm
- 8.57 KG
- Support 30 KG



- 423x403x240 mm
- 1.91 KG
- Support 12 KG



- 1300x403x307 mm
- 5.3 KG
- Support 8 KG (2.7 KG Each)



- 715x393x144 mm
- 3.68 KG
- Support 12 KG (6 KG Each)

