



Product Specifications

Customer	
Model	NTP156 V022



Records of Revision			
Vision	Modifying	Old Description	New Description
v1907.1	Preliminary Specifications		
v1907.2	1. Change Standard Video Input 2. Add Antibacterial Film Option 3. Add Color Options	Standard : VGA+DVI	VGA+HDMI+DP

Features

- ★ 15.6" , 16:9/1920x1080 (FHD) Resolution
- ★ Wide Operating Temperature (-20~70°C)
- ★ AHVA Viewing Angle 178°/178°
- ★ True Flat Projected Capacitive Touch Screen
- ★ 7H Hardness Tempered Cover Glass
- ★ 10 points Multi-touch , Supports Active Stylus
- ★ Video Input (VGA/HDMI/DP)
- ★ Metal Cabinet with Diverse Combine Options
- ★ Made in Taiwan, 3 Years Warranty
- ★ Designed for Harsh Environments
- ★ Optional High Brightness/Sunlight Readable
- ★ Optional 9~36VDC Power Input
- ★ Optional Software Remote Control by RS232
- ★ Optional AG/AR/AF/AS Film
- ★ **Optional Antibacterial Film Option, disinfects 99.99% of Harmful Bacteria**



Side Brackets



Desktop Stand



Wall Mounting



PSE



BSMI



FCC



CE



RoHS



ISO9001

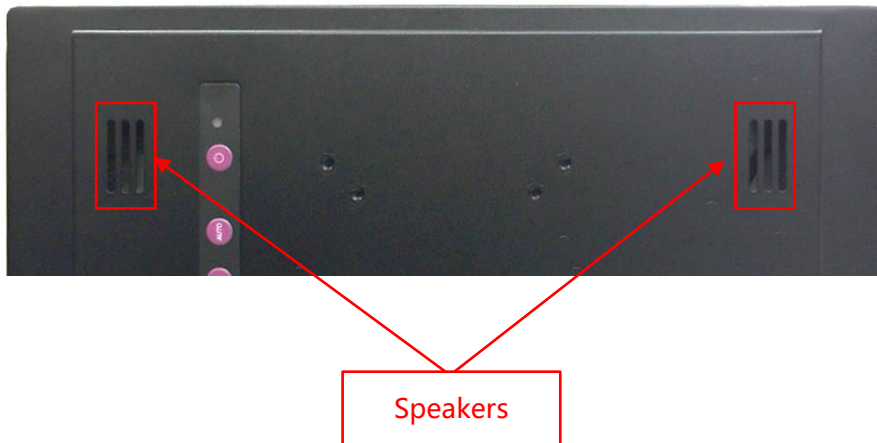
Display Specifications

Model Name	NTP156XXXXXX-022 *	Display Mode	AHVA, Normally Black
Screen Diagonal	15.6 inch	Response Time	25 msec.
Display Area	344.2x193.6 mm	Backlight Unit	LED (white LED)
Resolution	1920x1080 (FHD)	Viewing Angle (L/R, U/D)	178°/178° (CR_≥10)
Contrast Ratio	1000:1	Backlight Lifetime	50000 HRS
Display Ratio	16:9	Operating Temp.	-20~70°C
Support Color	16.7M Colors	Storage Temp.	-20~70°C
Pixel Pitch	0.17925x0.17925 mm	Surface Treatment	Anti-glare, 3H

* X = A~Z, 0~9 (Depends on options)

Audio System

	Description	Connector
Audio Input	Stereo	TRS Connector Φ3.5mm (Earphone Jack)
Speakers	2W x2	



Accessories

Item	Description	Quantity
VGA Cable	D-Sub 15Pin Male to Male, 1.2 Meter	1
Audio cable	3.5mm Headset Jack, Male to Male, 1.2 Meter	1
AC-DC Adapter	4.16A/12V with CE/FCC/CCC/UL/RoHS/PSE/JET Certification	1
Power cord	*Country Specific	1
USB Cable	A type, Male to Male, 1.5 Meter *(only for touch monitor)	1

General Options

Brightness			
	Brightness	Environment	Model Name
Standard	500nits	General (Indoor Environment)	NTP156XXXXNXX-022
Option 1	1000nits	Outdoor Environment	NTP156XXXX A XX-022
Option 2	1500nits	Sunlight Readable	NTP156XXXX F XX-022

Video Input		
	Connectors	Model Name
Standard	VGA+HDMI+DP	NTP156XXXXXX3-022
Option	VGA+HDMI	NTP156XXXXXX 2 -022



Standard / VGA+HDMI+DP



Option / VGA+HDMI

Power Input	
	Description
Standard	12VDC , Lockable Jack Φ2.1mm
Option	9~36DC , Lockable Jack Φ 2.1mm



Lockable Power Jack



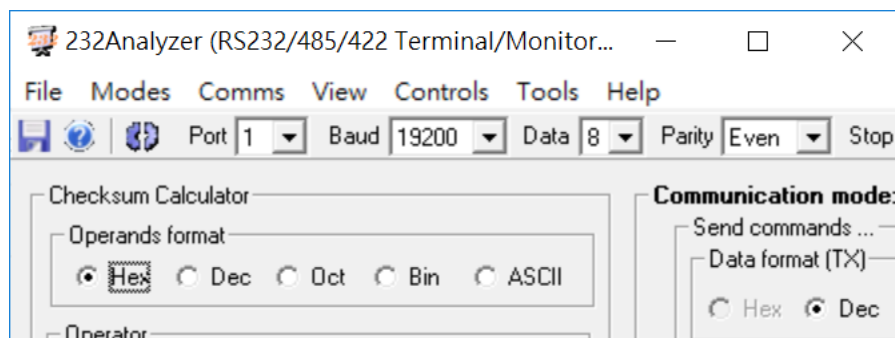
General Options (Continued)

Material of Cabinet		
	Description	Model Name
Standard	Galvanized steel (SECC)	NTP156XXXXX<u>S</u>X-022
Option 1	Stainless Steel	NTP156XXXXX <u>L</u> X-022
Option 2	Aluminum	NTP156XXXXX <u>A</u> X-022

Color of Cabinet		
	Description	Model Name
Standard	Black	NTP156XX<u>B</u>XXXX-022
Option 1	White	NTP156XX <u>W</u> XXXX-022
Option 2	Sliver	NTP156XX <u>S</u> XXXX-022
Options	Other Color	NTP156XX <u>S</u> XXXX-022

* X = A~Z, 0~9 (Depends on Color)

OSD Control		
	Item	Description
Standard	Button	Rear Physical Button
Option	Software Remote Control	Software Remote Control by RS232/Serial Port



* Software Remote Control

Touch Specifications

Touch Technology	Projected Capacitive	Transparency	≥87%
Allowed Touch Points	10 points	Accuracy	99.00%
Interface	USB	Thickness of Cover Lens	1.8±0.05mm
Hardness of Cover Lens	7H		



Active Stylus Option	
Technology	Active Capacitive Coupled
Working Frequencies	90~250 KHZ
Pressure Level	256~1024 Levels
Side Buttons	2 Side Buttons (Eraser, Barrel)
Active Tip Force	5~25g
Max. Tip Force	400g

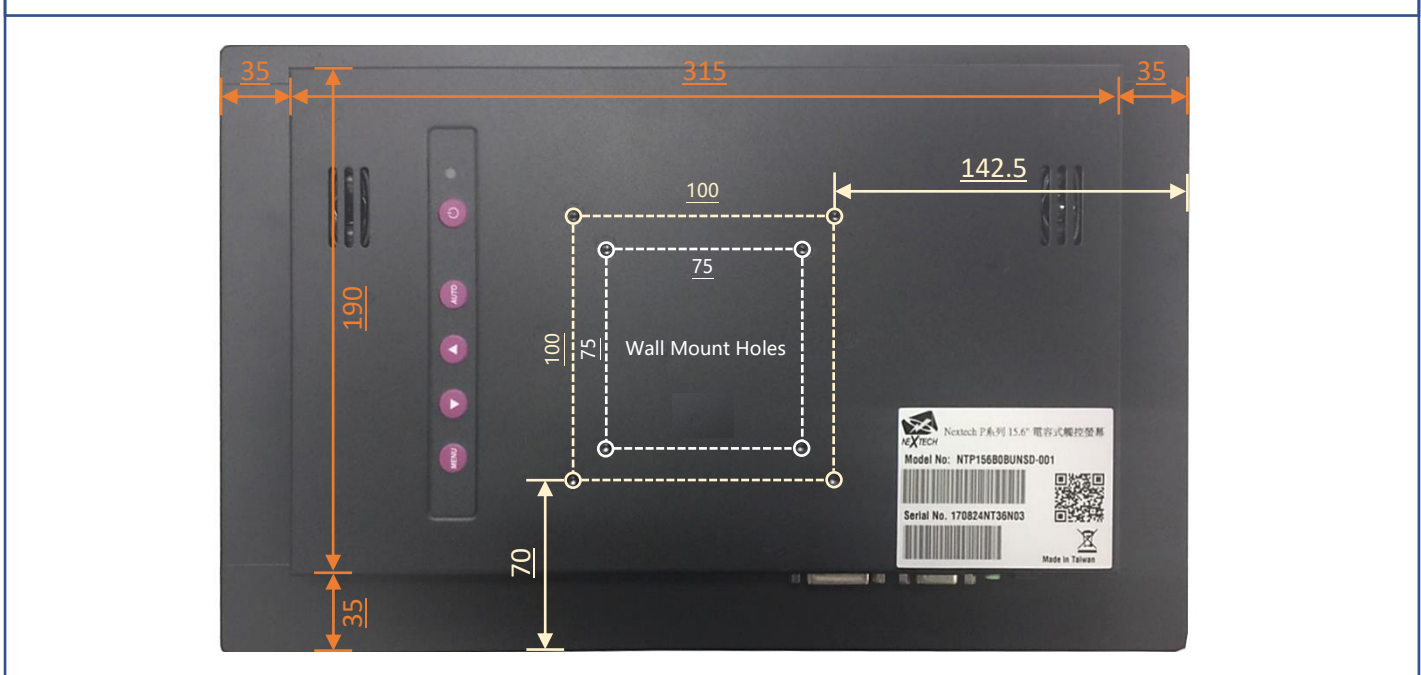
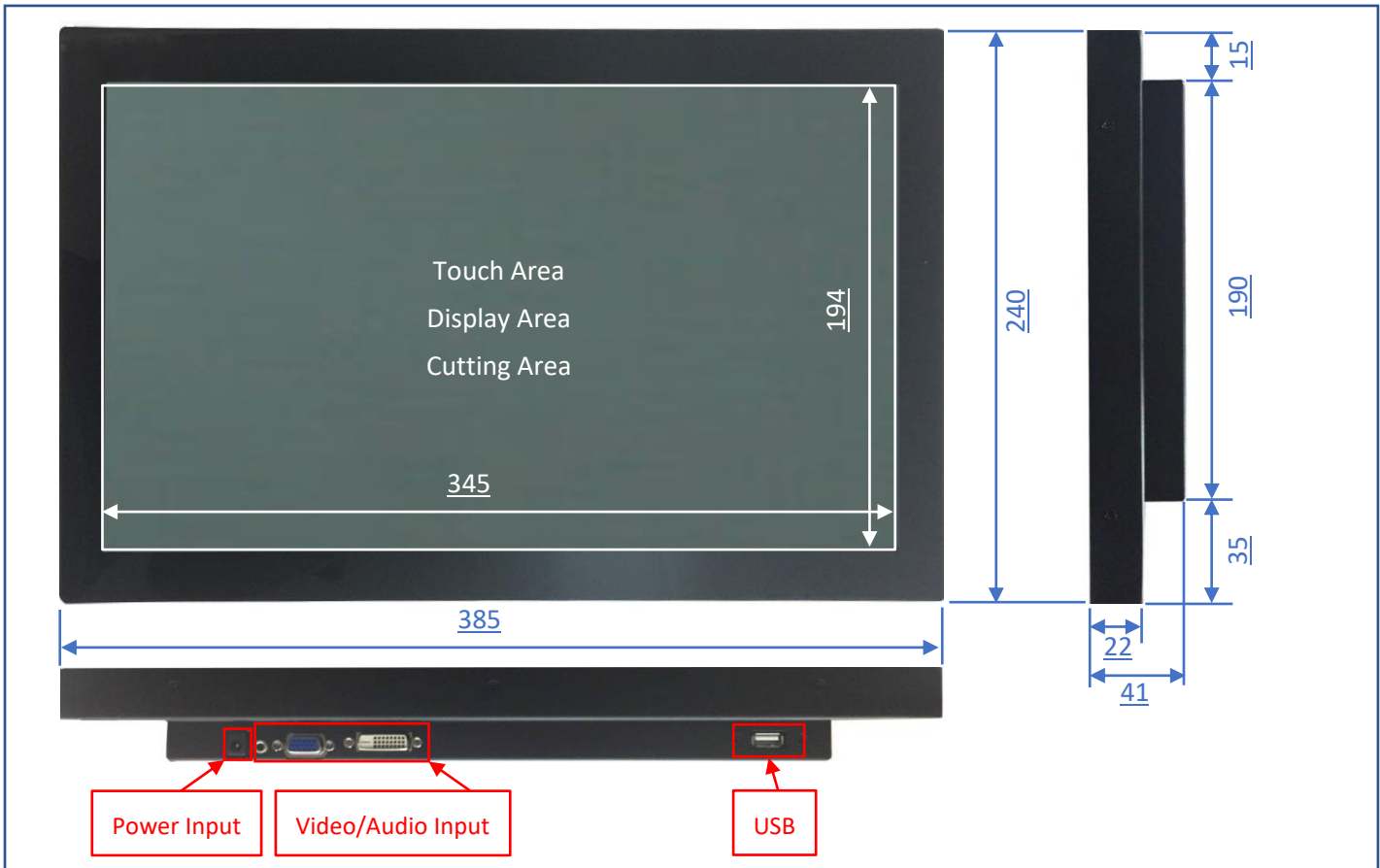


Surface Film Options	
Standard	(none)
Option	Antibacterial (AB Film)
Option	Anti-Glare (AG Film)
Option	Anti-Reflective (AR Film)
Option	Anti-Fouling/Fingerprint (AFP Film)
Option	Anti-Spy (AS Film)
Option	UV-Cut (UV Film)

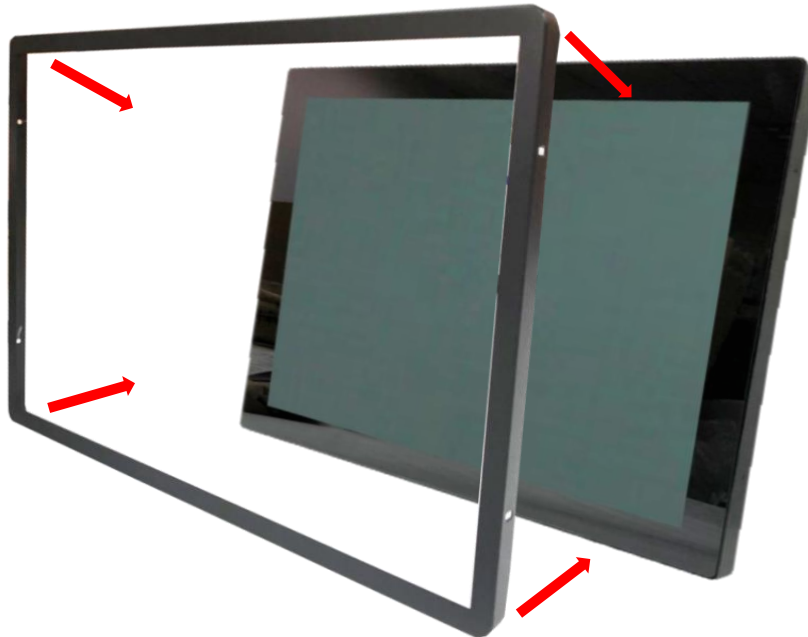


Physical Specifications

Dimension (Max)	385x240x41(±1)mm	Net Weight	3.3 KG
VESA Mounting	75x75/100x100 mm	Gross Weight	5.8 KG



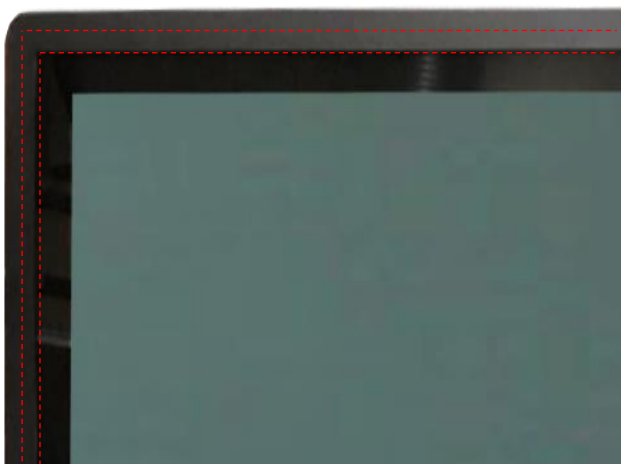
Optional Accessories (Front Cover)



The standard **NTP156** is true flat surface, with only 1mm metal bezel.
To protect the corners of the touch screen, the Front Cover can be added.

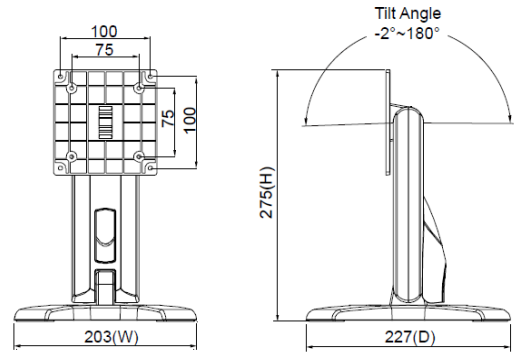


The watertight gasket can be added between the **Front Cover** and **NTP156**.
It complies IP65 on front.

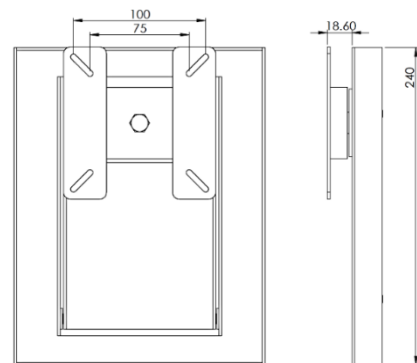


Optional Accessories (Desktop Stand)

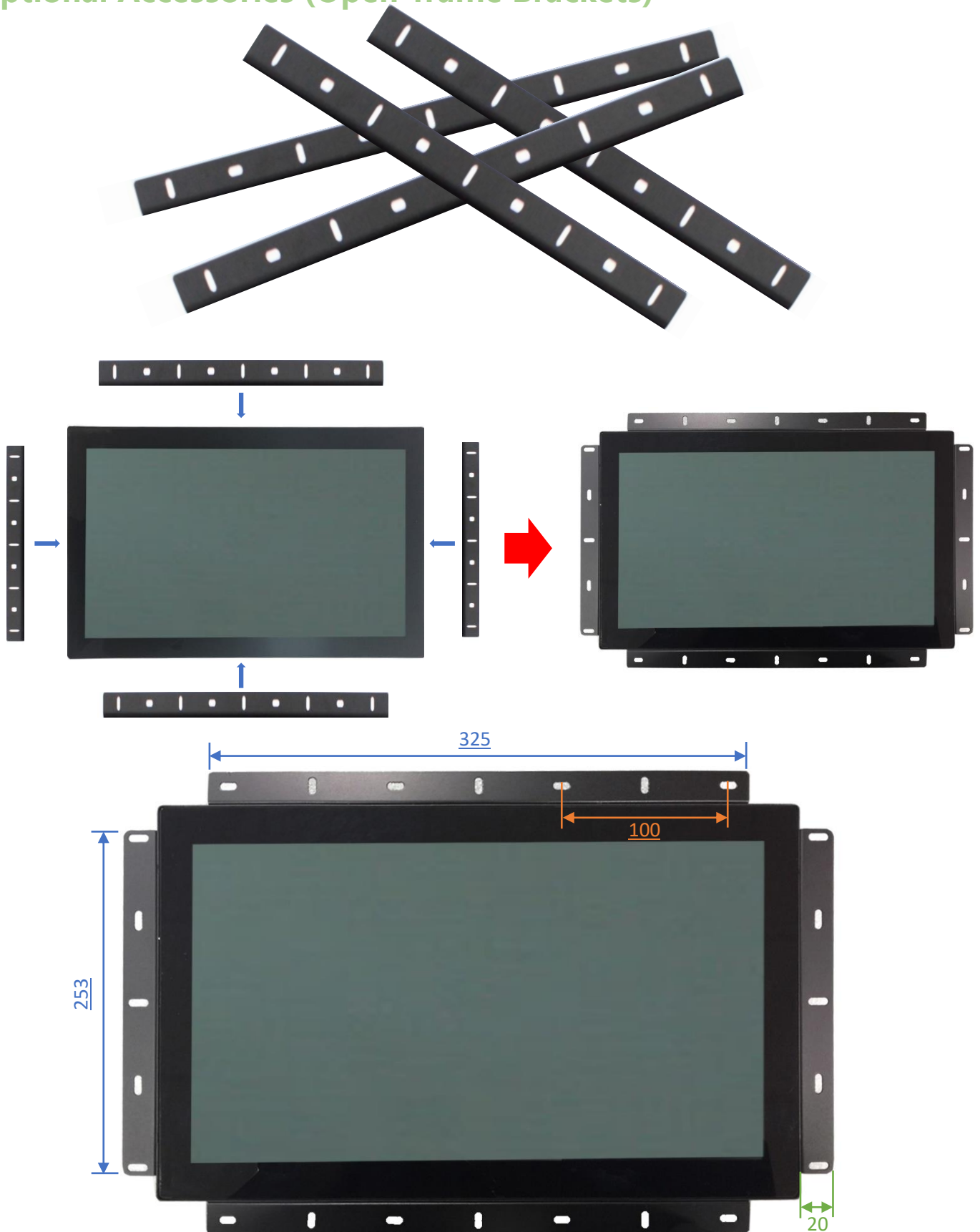
Item	B Stand	Part No.	DST-0B002/DST-1B002
Mounting Pattern	100x100 / 75x75 mm	Dimension (WxHxD)	203x275x227 mm
Material	Steel/Plastic/Aluminum	Net Weight	1.8 KG
Tile (Hinge)	-2° ~+180°	Support Max. Weight	15 KG



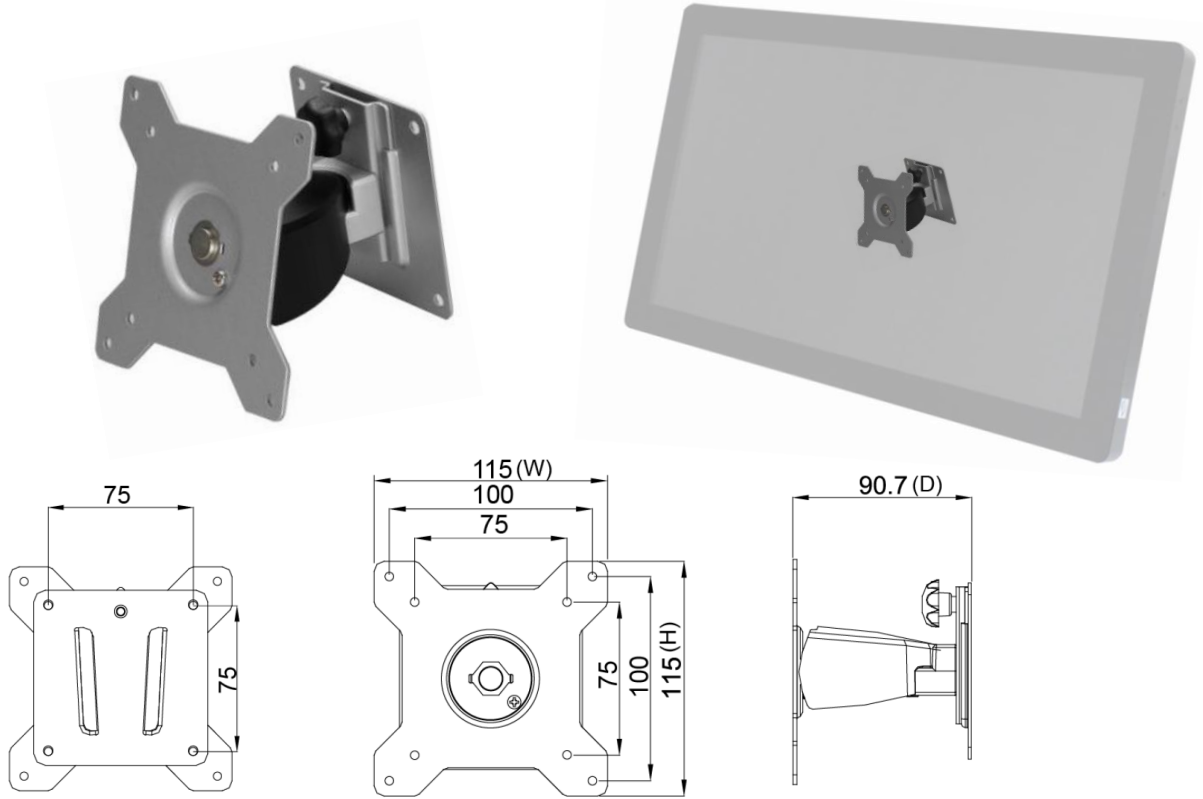
Item	Z Stand	Part No.	DST-0BZ01/DST-1BZ01
Mounting Pattern	100x100 / 75x75 mm	Dimension (WxHxD)	190x240x41.6
Material	SECC	Net Weight	2.6 KG
Tile (Hinge)	±360°	Support Max. Weight	15 KG



Optional Accessories (Open-frame Brackets)



Optional Accessories (Wall Mount Bracket)



Packing Information



Dimensions of Carton	548x463x213 mm
Net Weight	≤3.3 KG
Gross Weight	≤5.8 KG

Optional Accessories (Desktop Stand or Arm)



- 273x180x265 mm
- 1.07 KG
- Support 12 KG



- 620x556x123 mm
- 3 KG
- Support 10 KG



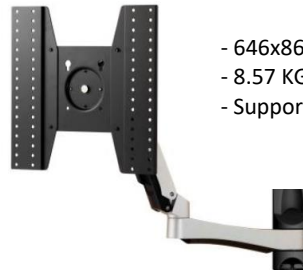
- 250x192x445 mm
- 1.4 KG
- Support 12 KG



- 655x858.5x563 mm
- 7.56 KG
- Support 30 KG



- 158x403x144 mm
- 2.12 KG
- Support 12 KG



- 646x861x953.5 mm
- 8.57 KG
- Support 30 KG



- 423x403x240 mm
- 1.91 KG
- Support 12 KG



- 1300x403x307 mm
- 5.3 KG
- Support 8 KG (2.7 KG Each)



- 715x393x144 mm
- 3.68 KG
- Support 12 KG (6 KG Each)

