



# Product Specifications

<b>Customer</b>	
<b>Model</b>	<b>NTSI550 V400</b>



Records of Revision			
Vision	Modifying	Old Description	New Description
v1902.1	Preliminary Specifications		
v1902.2	Format Updated		
v1902.3	Correct Thickness		
v1902.4	Format Updated		
<b>v1902.5</b>	<b>Revise the Dimensions of Carton</b>		

## Features

- ★ 55" 16:9 ,1920x1080 (Full-HD) Resolution
- ★ VA Wide Viewing Angel 178°/178°
- ★ I.R. Touch Option
- ★ 7H Hardness Tempered Cover Glass
- ★ 10 points Multi-touch
- ★ Metal Cabinet with Diverse Combine Options
- ★ Made in Taiwan, 3 Years Warranty
- ★ Designed for Harsh Environments
- ★ Optional High Brightness/Sunlight Readable
- ★ Optional Video Input (VGA/DVI/HDMI/DP)
- ★ Optional Software Remote Control by RS232
- ★ Optional Auto Dimming Function (with Light Sensor)



PSE



BSMI



FCC



CE



RoHS



ISO9001

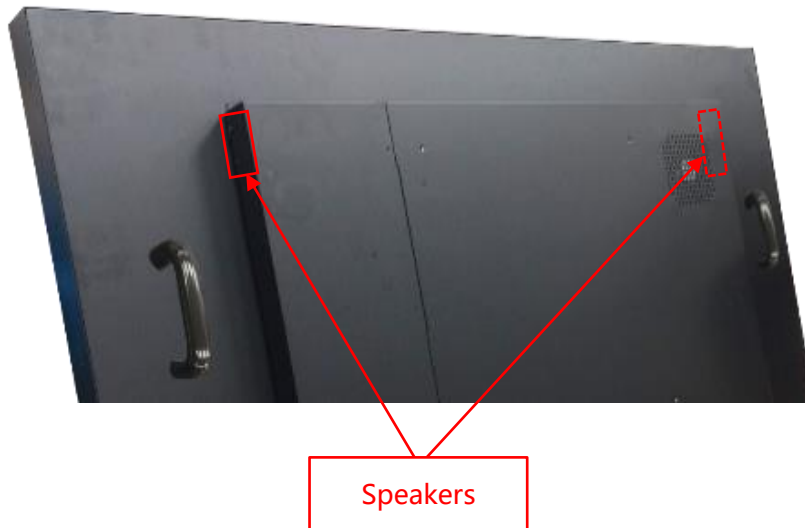
## Display Specifications

Model Name	NTSI550XX-1XXXXXA-400*	Display Mode	VA Type, Normally Black
Screen Diagonal	55 inch	Response Time	8 msec.
Display Area	1209.6x680.4 mm	Backlight Unit	LED (white LED)
Resolution	1920x1080 (FHD)	Viewing Angle (L/R, U/D)	178°/178° (CR=10)
Contrast Ratio	4000:1	Backlight Lifetime	30000 Hours
Display Ratio	16:9	Operating Temp.	0~50°C
Support Color	1073M Colors	Storage Temp.	-20~60°C
Pixel Pitch	0.63x0.63 mm	Surface Treatment	Anti-glare 2%, 3H

\* Depends on options.

## Input /Output

	Description	Connectors
Audio Input	Stereo	TRS Connector Φ3.5mm (Earphone Jack)
Speakers	10W x2	
Power Input	100~240VAC	100~240VAC, C14 Female Socket



## Accessories

Item	Description	Quantity
HDMI Cable	HDMI Male to Male, 1.8 Meter	1
Power cord	*Country Specific	1
USB Cable	A type, Male to Male, 1.5 Meter *(only for touch monitor)	1

## General Options

Brightness			
	Brightness	Environment	Model Name
<b>Standard</b>	<b>450nits</b>	<b>General (Indoor Environment)</b>	<b>NTSI550NX-1XXXXXA-400</b>
Option 1	700nits	Outdoor Environment	NTSI550HX-2XXXXXA-400
Option 2	2500nits	Sunlight Readable	NTSI550HX-3XXXXXA-400

\* Check the data sheets: NTSI550-2, NTSI550-3

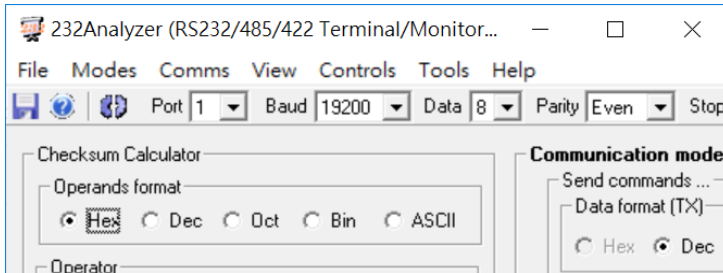
Video Input		
	Connectors	Model Name
<b>Standard</b>	<b>VGA+HDMI+DP</b>	<b>NTSI550XX-1XXXX8A-400</b>
Option	VGA+DVI+HDMIx2	NTSI550XX-1XXXXAA-400

Cabinet		
	Description	Model Name
<b>Standard</b>	<b>Galvanized steel (SECC)</b>	<b>NTSI550XX-1XXSXXA-400</b>
Option 1	Stainless Steel	NTSI550XX-1XXLXXA-400
Option 2	Aluminum	NTSI550XX-1XXAXXA-400

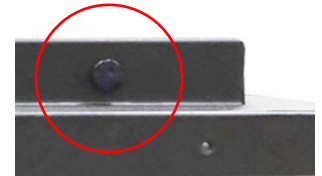
Cooling Fan		
	Description	Model Number
<b>Standard</b>	<b>Fanless</b>	<b>NTSI550XX-1XXX0XA-400</b>
Option	7 Blades/1.92W/12V/1200r.p.m/Max.44.72CFM/25dB	NTSI550XX-1XXXFXA-400



OSD Control		
	Item	Description
<b>Standard</b>	<b>Button</b>	<b>Rear Physical Button</b>
Option 1	Software Remote Control	Software Remote Control by RS232/Serial Port
Option 2	Auto Dimming	Auto Brightness Adjusting by Built-in Light Sensor



\* Software Remote Control



Light Sensor



## Supported OS

Windows	Win7, Win8, Win10 ↑
Linux	Kernel 2.6.24 ↑
Android	3.0 ↑
Mac	10.5.x ↑ (Intel CPU)



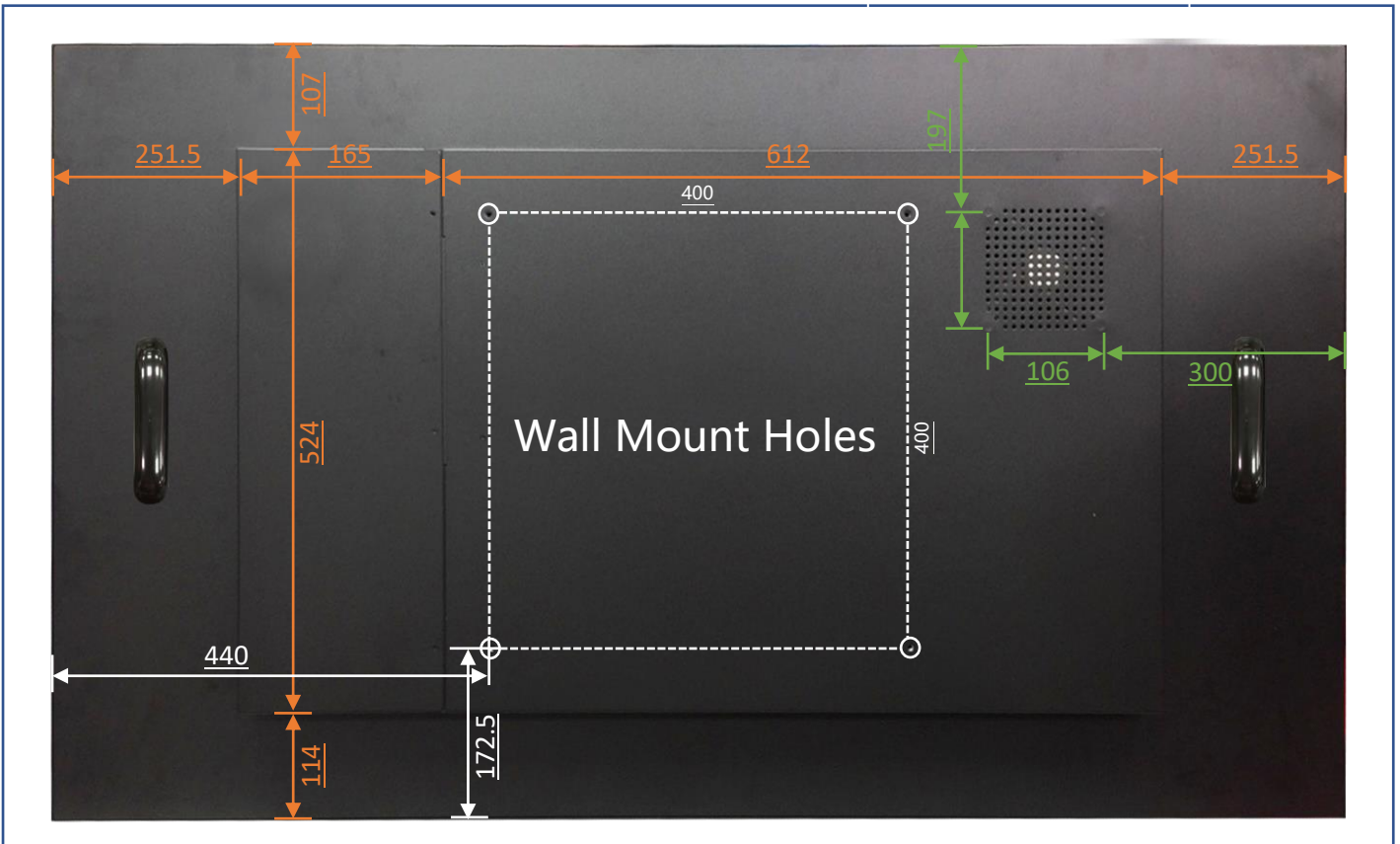
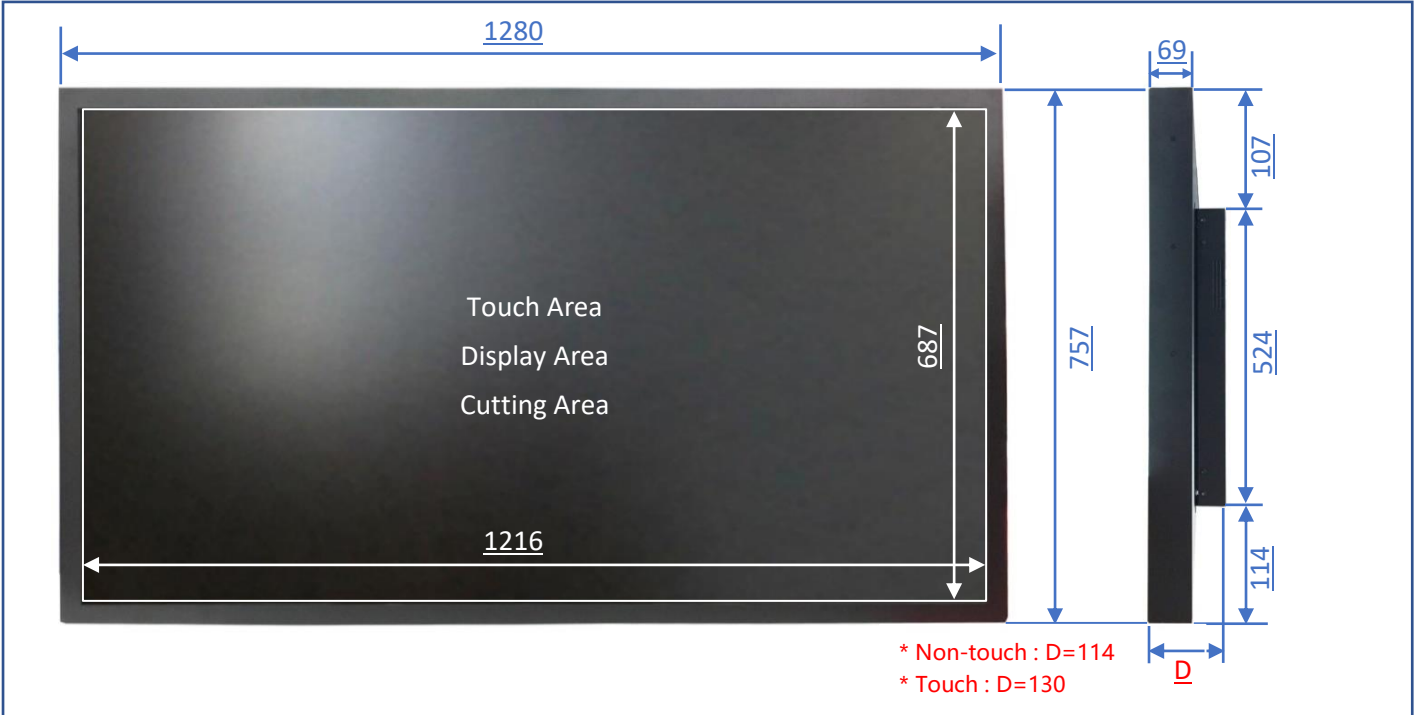
## Touch Options

Non-Touch			
Model No.	<b>NTSI55X0-1XXXXXA-400</b>		

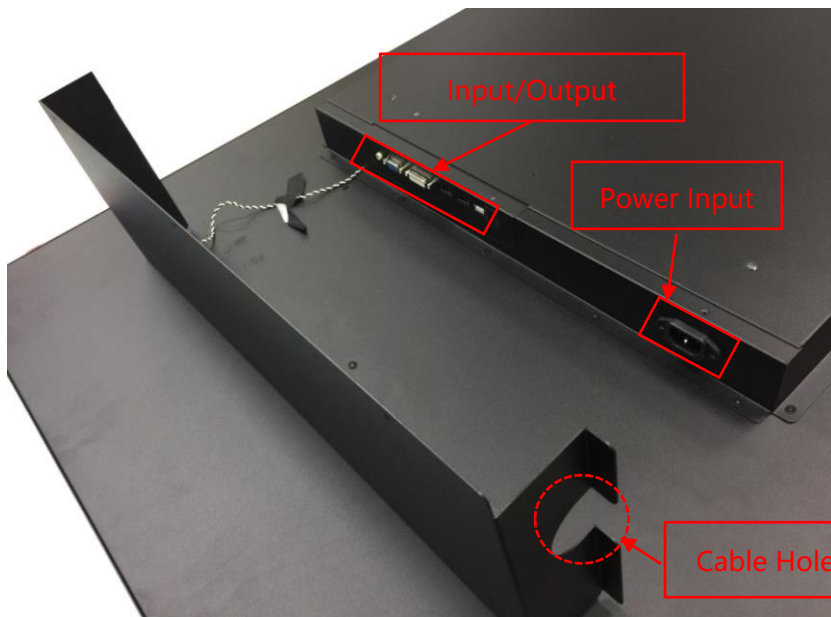
I.R. Touch			
Model No.	<b>NTSI55XI-1XXXXXA-400</b>	Transparency	<b>≥92%</b>
Touch Technology	<b>I.R. Touch</b>	Accuracy	<b>99.00%</b>
Allowed Touch Points	<b>10 points</b>	Thickness of Cover Lens	<b>4.0±0.2mm</b>
Interface	<b>USB</b>	Hardness of Cover Lens	<b>7H</b>

## Physical Specifications

Dimension (Max)	<b>1280x744.6xD*(±1)mm</b>	Net Weight	≦ <b>55.1 KG</b>
VESA Mounting	<b>400x400 mm</b>	Gross Weight	≦ <b>62.7 KG</b>



## Connector Protective Cover



Opened

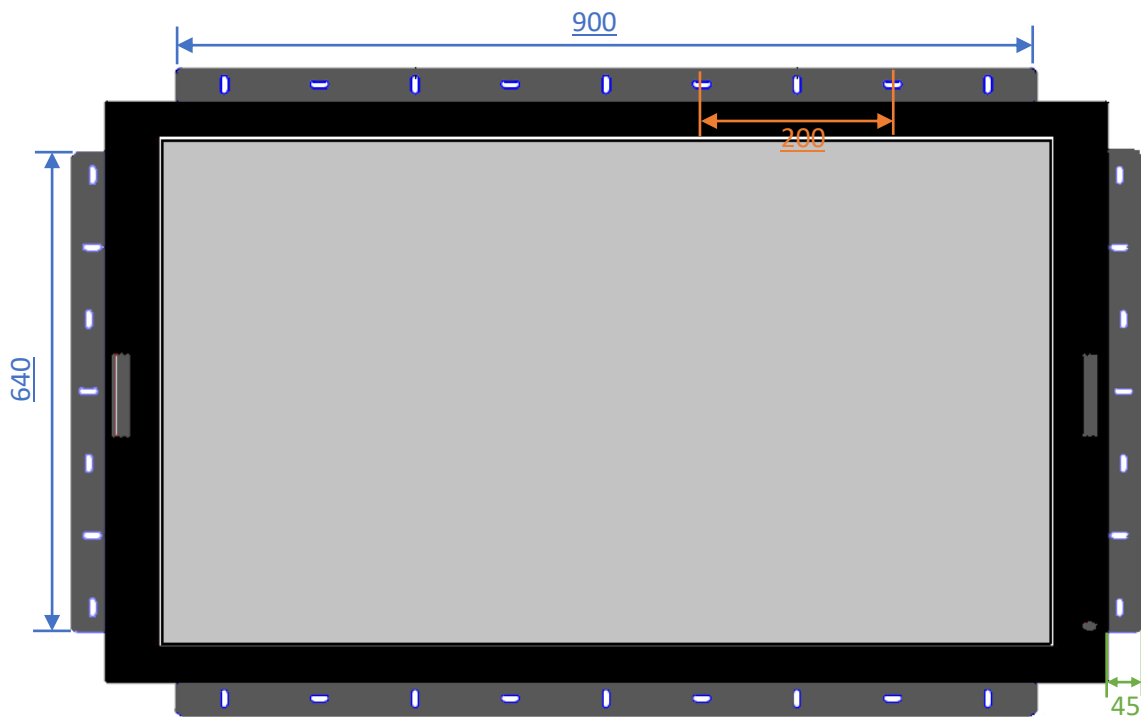
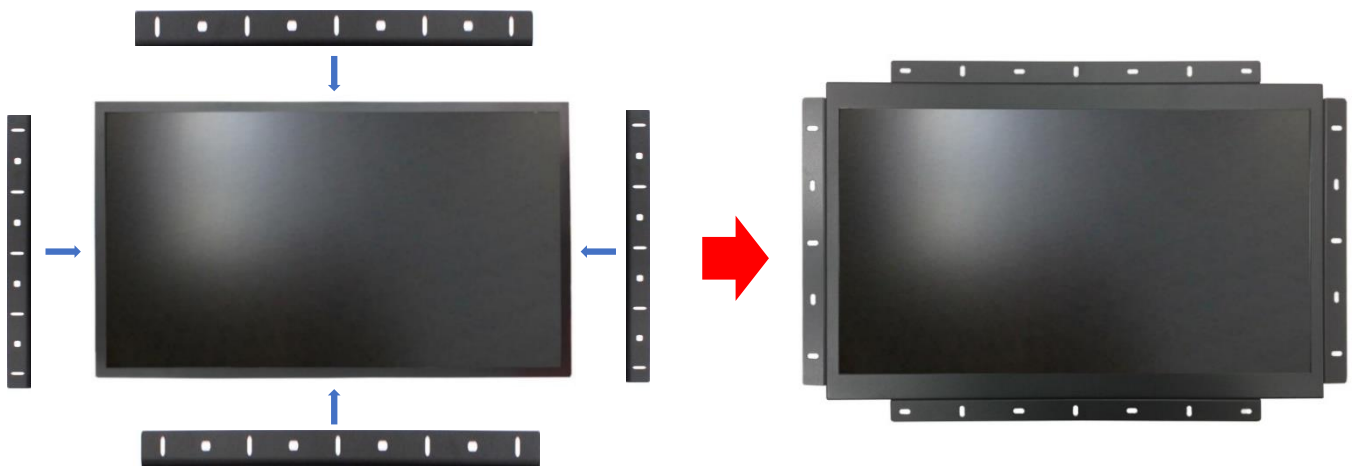


Closed

## Whiteboard Pen Holder (Option)



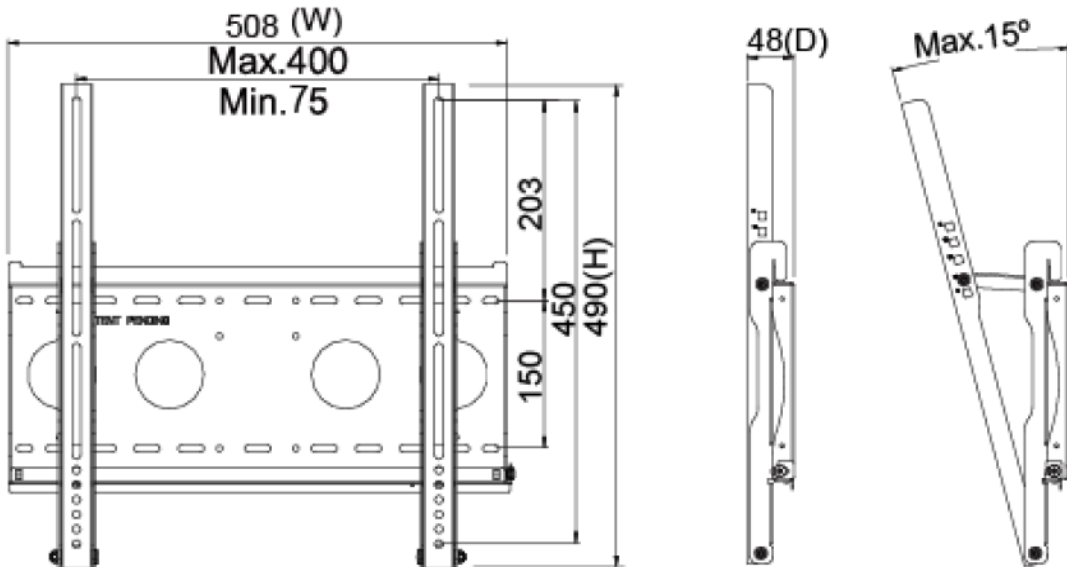
### Optional Accessories (Open-frame Brackets)



## Optional Accessories (Wall Mount Bracket)



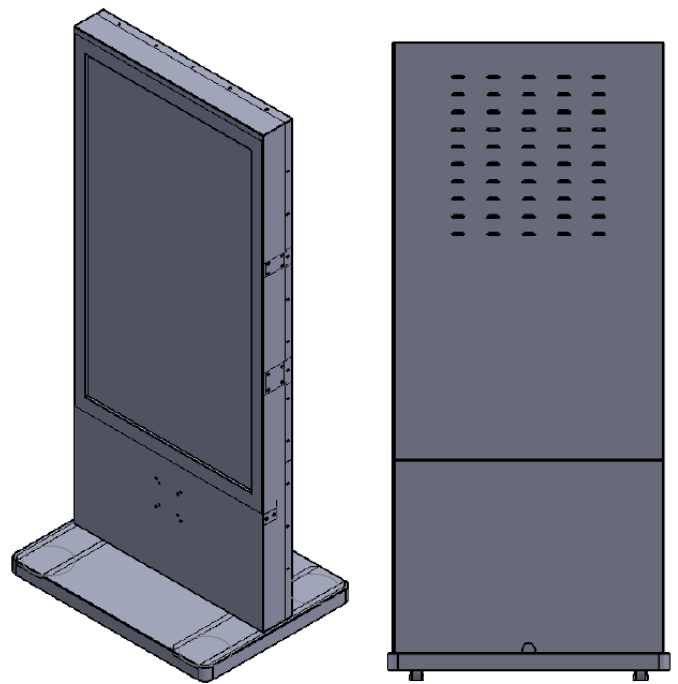
Part No.	<b>WMB-B001</b>		
Mounting Pattern	<b>Max. 400x450 mm</b>	Dimension (WxHxD)	<b>508x490x48 mm</b>
Material	<b>SECC</b>	Net Weight	<b>4.01 KG</b>
Tilt (Hinge)	<b>0°/5°/10°/13°/15°</b>	Support Max. Weight	<b>80 KG</b>
Screw Type	<b>M4/M5/M6/M8</b>	Min. Distance to The Wall	<b>48 mm</b>



### Optional Accessories (KIOSK Cabinet)



Material	SECC
Caster	4 (front 2 braking)

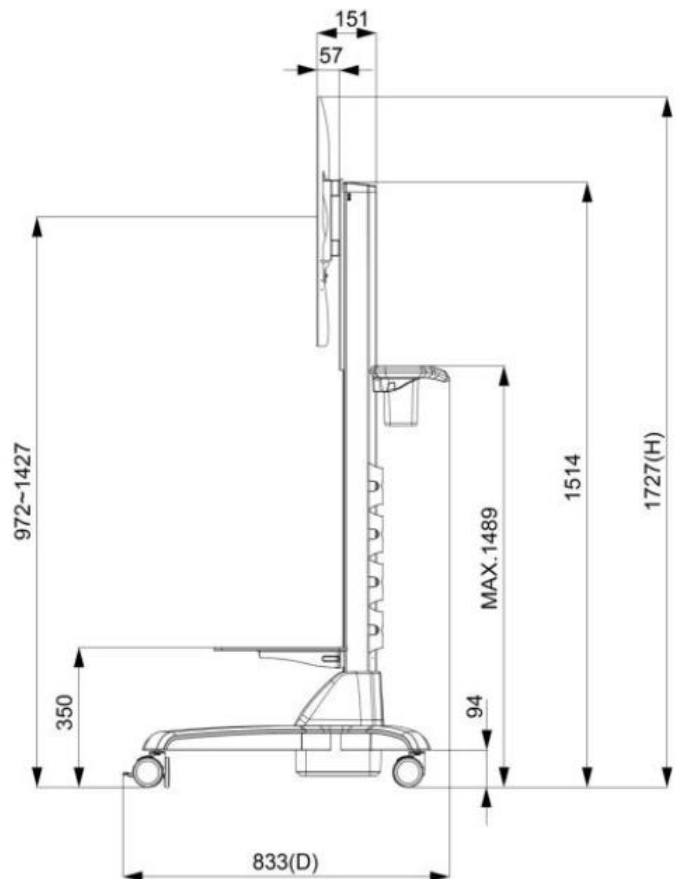
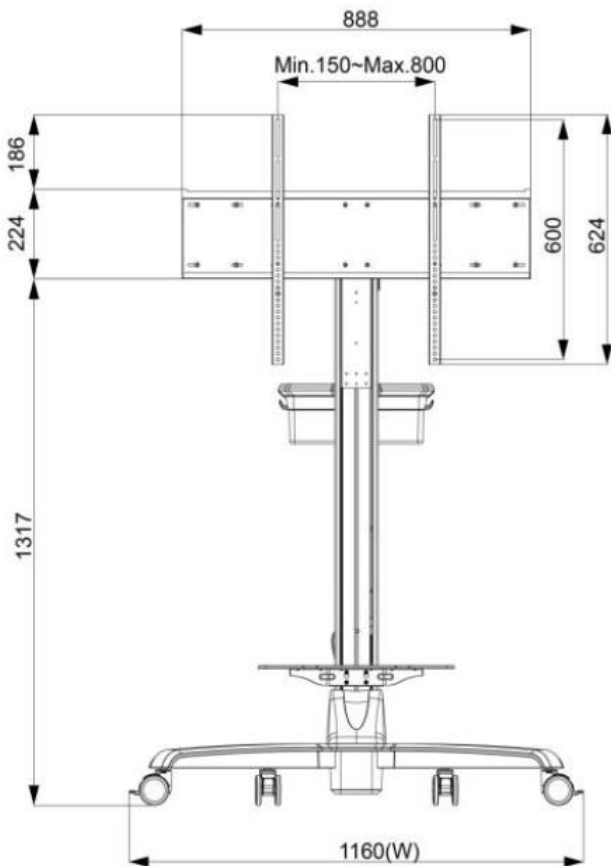




Optional Accessories (Cart)



Net Weight	<b>28.4 KG</b>
Power System	<b>AC 200~240V 50/60Hz</b>
User Interface	<b>Button (up/down)</b>
Packaged Dimension	<b>W1160xD833xH1727 mm</b>
Screw Type	<b>M4/M5/M6/M8</b>
Material	<b>Aluminum/Plastic/Steel</b>
Max. Mount Pattern	<b>800x600mm</b>
Max. Weight Load	<b>80 KG</b>
Caster	<b>4 (front 2 braking)</b>
Height Adjust Range	<b>455 mm</b>
RoHS/REACH	<b>Yes</b>



## Packing Information



Dimensions of Carton	<b>145.5x32.9x95.6 CM</b>
Net Weight	<b>≤55.1 KG</b>
Gross Weight	<b>≤62.7 KG</b>