



Product Specifications

Customer	
Model	NTSI550-2 V400



Records of Revision			
Vision	Modifying	Old Description	New Description
v1902.1	Preliminary Specifications		
v1902.2	Format Updated		
v1902.3	Correct Thickness		
v1902.4	Format Updated		
v1902.5	Revise the Dimensions of Carton		

Features

- ★ 55" 16:9 ,1920x1080 (Full-HD) Resolution
- ★ VA Wide Viewing Angel 178°/178°
- ★ I.R. Touch Option
- ★ 7H Hardness Tempered Cover Glass
- ★ 10 points Multi-touch
- ★ Metal Cabinet with Diverse Combine Options
- ★ Made in Taiwan, 3 Years Warranty
- ★ Designed for Harsh Environments
- ★ Optional High Brightness/Sunlight Readable
- ★ Optional Video Input (VGA/DVI/HDMI/DP)
- ★ Optional Software Remote Control by RS232
- ★ Optional Auto Dimming Function (with Light Sensor)



PSE



BSMI



FCC



CE



RoHS



ISO9001

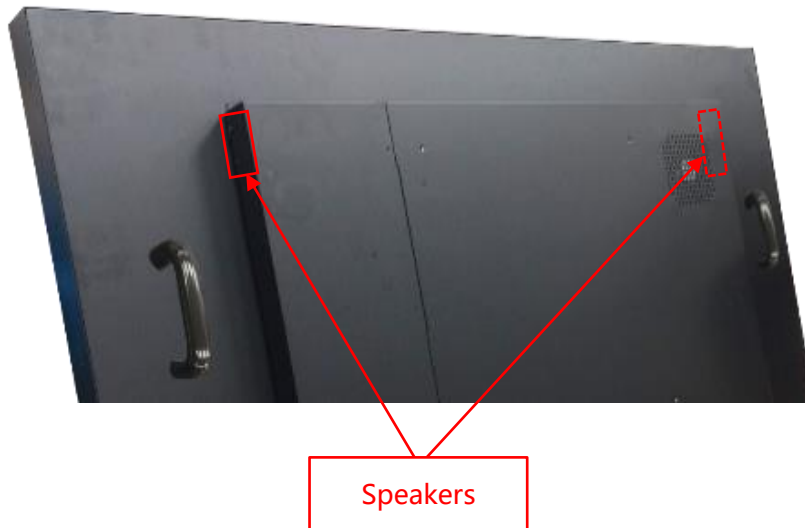
Display Specifications

Model Name	NTSI550HX-2XXXXXA-400*	Display Mode	VA Type, Normally Black
Screen Diagonal	55 inch	Response Time	6.5 msec.
Display Area	1209.6x680.4 mm	Backlight Unit	LED (white LED)
Resolution	1920x1080 (FHD)	Viewing Angle (L/R, U/D)	178°/178° (CR=10)
Contrast Ratio	4000:1	Backlight Lifetime	50000 Hours
Display Ratio	16:9	Operating Temp.	0~50°C
Support Color	1073M Colors	Storage Temp.	-20~60°C
Pixel Pitch	0.63x0.63 mm	Surface Treatment	Anti-glare 11%, 3H

* Depends on options.

Input /Output

	Description	Connectors
Audio Input	Stereo	TRS Connector Φ3.5mm (Earphone Jack)
Speakers	10W x2	
Power Input	100~240VAC	100~240VAC, C14 Female Socket



Accessories

Item	Description	Quantity
HDMI Cable	HDMI Male to Male, 1.8 Meter	1
Power cord	*Country Specific	1
USB Cable	A type, Male to Male, 1.5 Meter *(only for touch monitor)	1



General Options

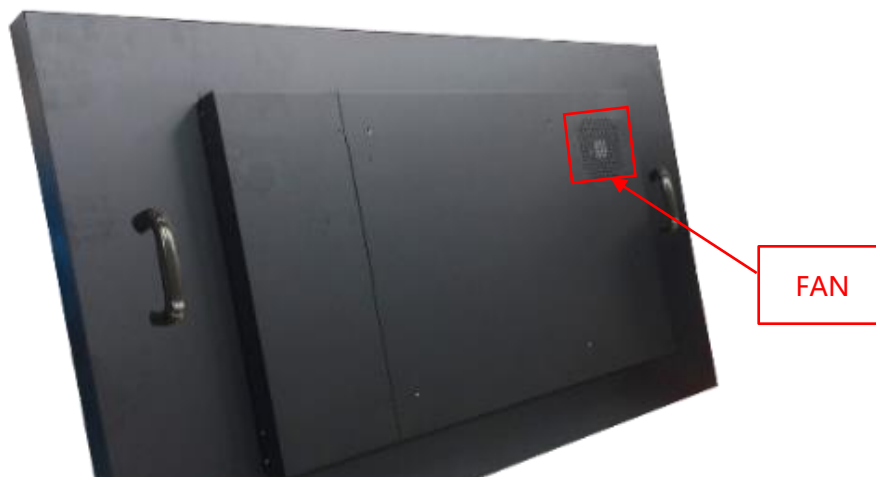
Brightness			
	Brightness	Environment	Model Name
Standard	700nits	Outdoor Environment	NTSI550HX-2XXXXXA-400
Option	2500nits	Sunlight Readable	NTSI550HX-3XXXXXA-400

* Check the data sheets: NTSI550-3

Video Input		
	Connectors	Model Name
Standard	VGA+HDMI+DP	NTSI550HX-2XXXX8A-400
Option	VGA+DVI+HDMIx2	NTSI550HX-2XXXXAA-400

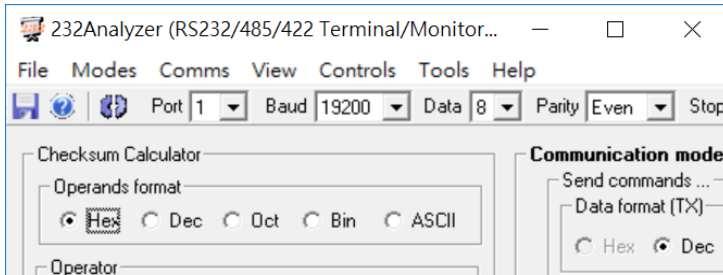
Cabinet		
	Description	Model Name
Standard	Galvanized steel (SECC)	NTSI550HX-2XXSXXA-400
Option 1	Stainless Steel	NTSI550HX-2XXLXXA-400
Option 2	Aluminum	NTSI550HX-2XXAXXA-400

Cooling Fan		
	Description	Model Number
Standard	Fanless	NTSI550HX-2XXX0XA-400
Option	7 Blades/1.92W/12V/1200r.p.m/Max.44.72CFM/25dB	NTSI550HX-2XXXFXA-400

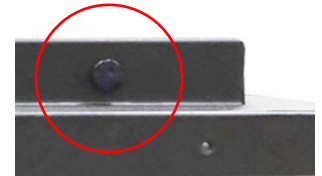




OSD Control		
	Item	Description
Standard	Button	Rear Physical Button
Option 1	Software Remote Control	Software Remote Control by RS232/Serial Port
Option 2	Auto Dimming	Auto Brightness Adjusting by Built-in Light Sensor



* Software Remote Control



Light Sensor



Supported OS

Windows	Win7, Win8, Win10 ↑
Linux	Kernel 2.6.24 ↑
Android	3.0 ↑
Mac	10.5.x ↑ (Intel CPU)

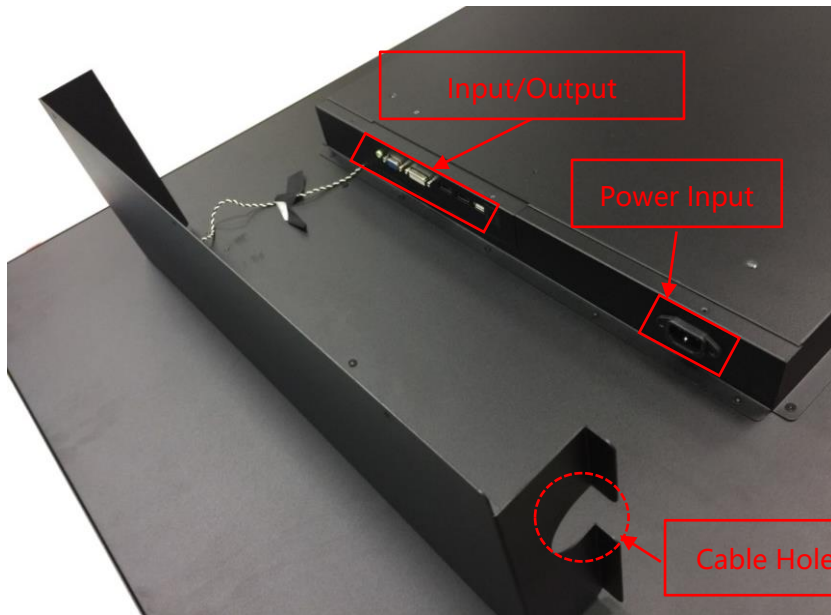


Touch Options

Non-Touch			
Model No.	NTSI55H0-2XXXXXA-400		

I.R. Touch			
Model No.	NTSI55HI-2XXXXXA-400	Transparency	≥92%
Touch Technology	I.R. Touch	Accuracy	99.00%
Allowed Touch Points	10 points	Thickness of Cover Lens	4.0±0.2mm
Interface	USB	Hardness of Cover Lens	7H

Connector Protective Cover



Opened

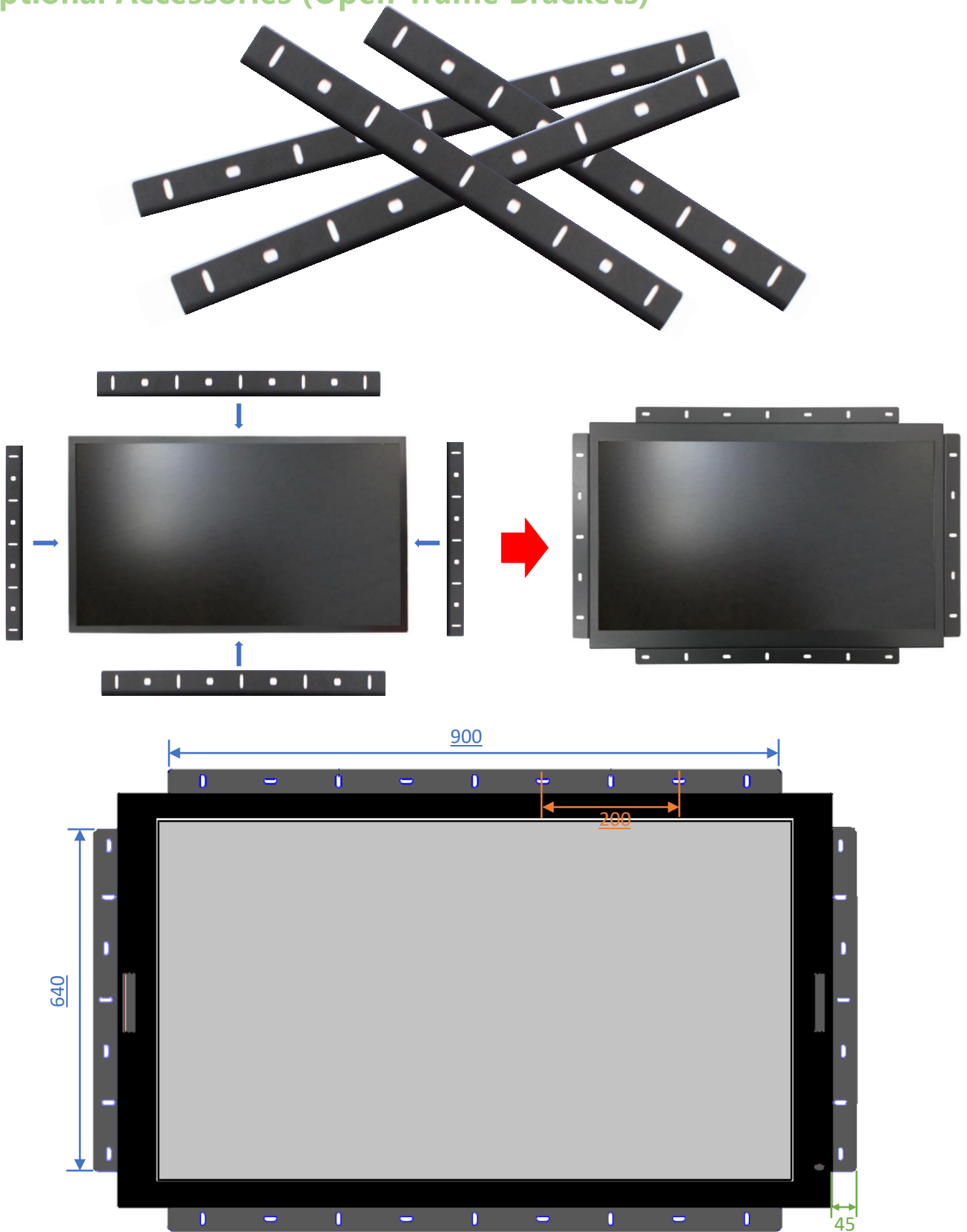


Closed

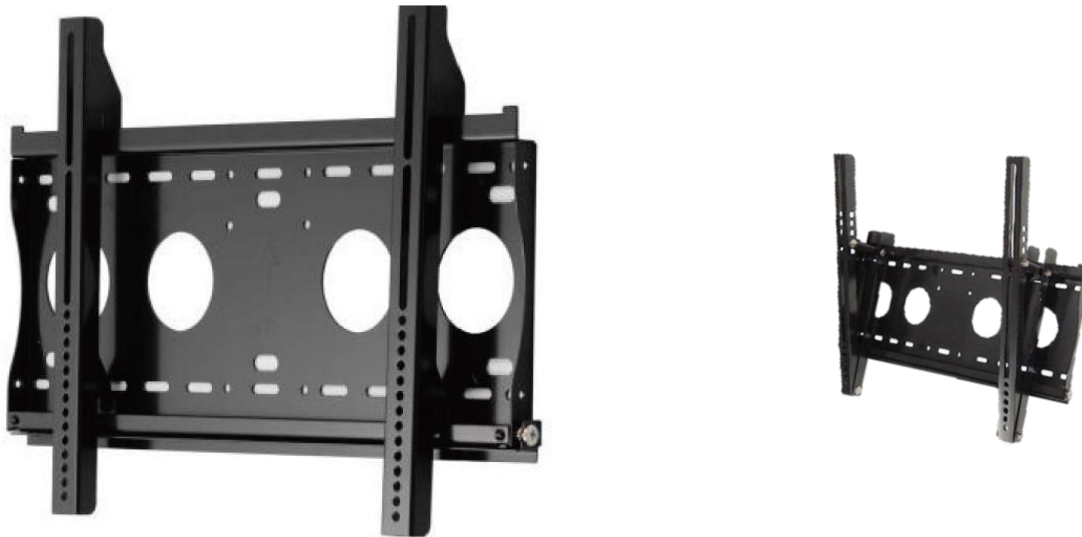
Whiteboard Pen Holder (Option)



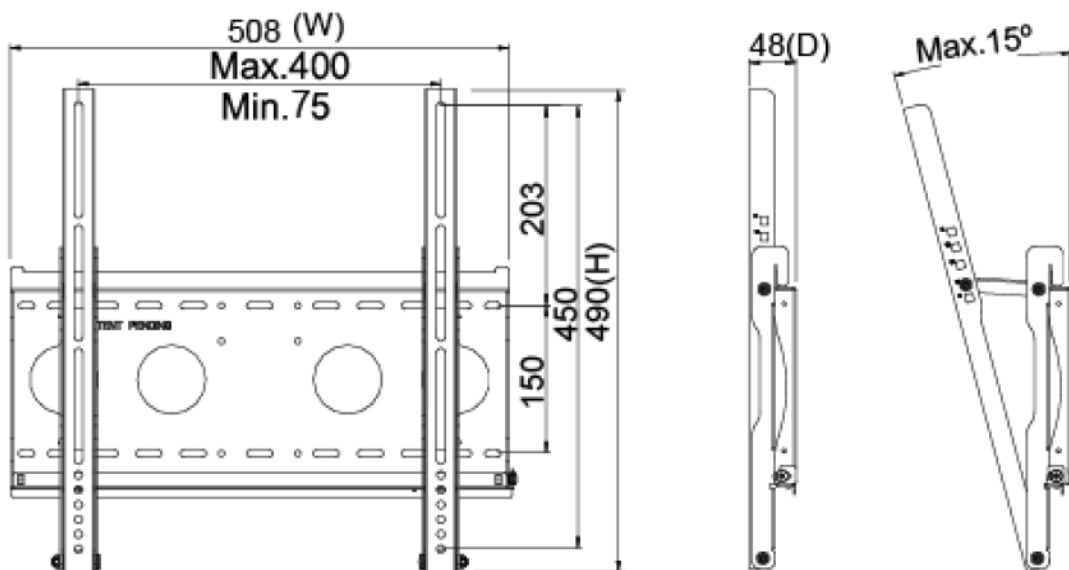
Optional Accessories (Open-frame Brackets)



Optional Accessories (Wall Mount Bracket)



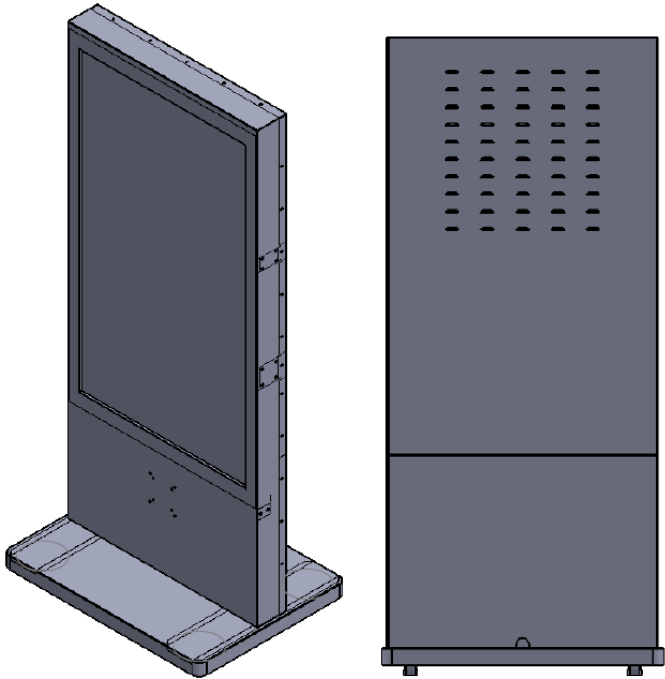
Part No.	WMB-B001		
Mounting Pattern	Max. 400x450 mm	Dimension (WxHxD)	508x490x48 mm
Material	SECC	Net Weight	4.01 KG
Tilt (Hinge)	0°/5°/10°/13°/15°	Support Max. Weight	80 KG
Screw Type	M4/M5/M6/M8	Min. Distance to The Wall	48 mm



Optional Accessories (KIOSK Cabinet)



Material	SECC
Caster	4 (front 2 braking)

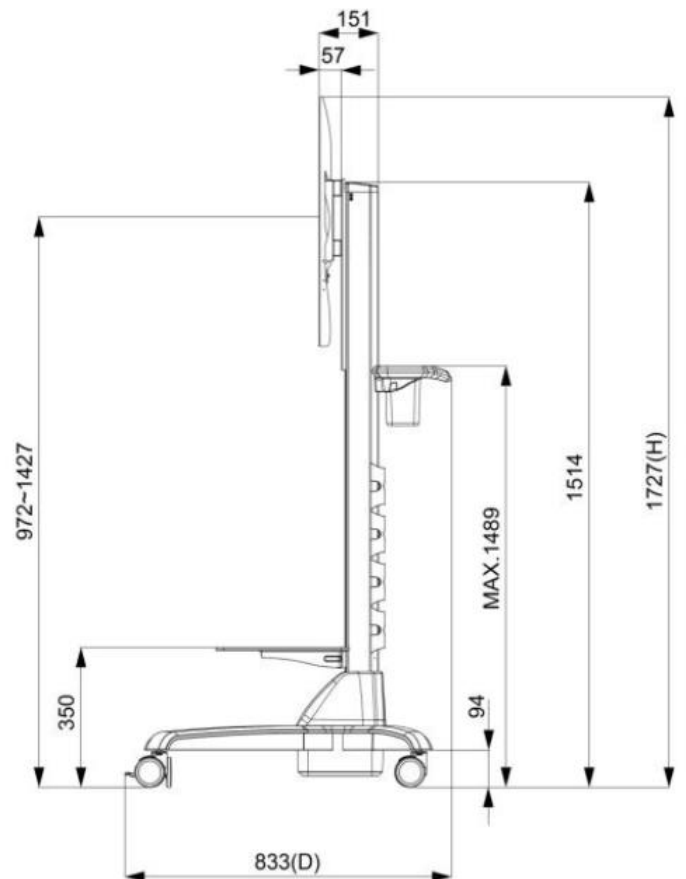
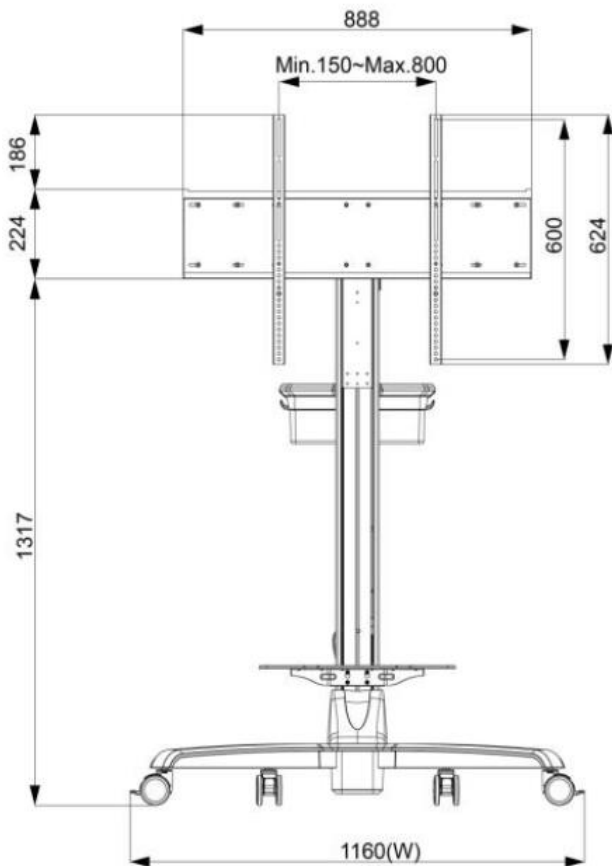




Optional Accessories (Cart)



Net Weight	28.4 KG
Power System	AC 200~240V 50/60Hz
User Interface	Button (up/down)
Packaged Dimension	W1160xD833xH1727 mm
Screw Type	M4/M5/M6/M8
Material	Aluminum/Plastic/Steel
Max. Mount Pattern	800x600mm
Max. Weight Load	80 KG
Caster	4 (front 2 braking)
Height Adjust Range	455 mm
RoHS/REACH	Yes



Packing Information



Dimensions of Carton	145.5x32.9x95.6 CM
Net Weight	≤55.1 KG
Gross Weight	≤62.7 KG