



# Product Specifications

|                 |                       |
|-----------------|-----------------------|
| <b>Customer</b> |                       |
| <b>Model</b>    | <b>NTSI550-3 V400</b> |



| Records of Revision |  |                 |                 |
|---------------------|--|-----------------|-----------------|
| Vision              | Modifying                              | Old Description | New Description |
| v1902.1             | Preliminary Specifications             |                 |                 |
| v1902.2             | Format Updated                         |                 |                 |
| <b>v1902.3</b>      | <b>Revise the Dimensions of Carton</b> |                 |                 |
|                     |  |                 |                 |
|                     |  |                 |                 |
|                     |  |                 |                 |
|                     |  |                 |                 |
|                     |  |                 |                 |
|                     |  |                 |                 |

## Features

- ★ 55" 16:9 ,1920x1080 (Full-HD) Resolution
- ★ 2500nits High Brightness
- ★ VA Wide Viewing Angel 178°/178°
- ★ I.R. Touch Option
- ★ 7H Hardness Tempered Cover Glass
- ★ 10 points Multi-touch
- ★ Metal Cabinet with Diverse Combine Options
- ★ Made in Taiwan, 3 Years Warranty
- ★ Designed for Harsh Environments
- ★ Optional High Brightness/Sunlight Readable
- ★ Optional Video Input (VGA/DVI/HDMI/DP)
- ★ Optional Software Remote Control by RS232
- ★ Optional Auto Dimming Function (with Light Sensor)



PSE



BSMI



FCC



CE



RoHS



ISO9001

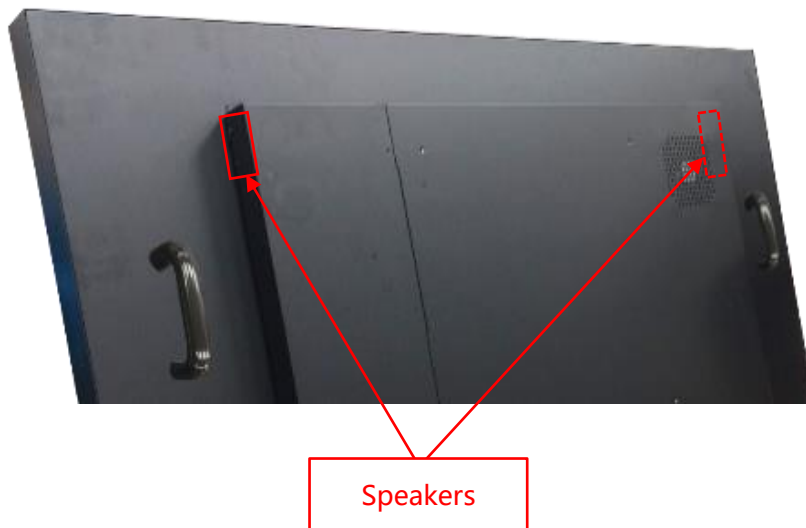
## Display Specifications

|                 |                        |                          |                         |
|-----------------|------------------------|--------------------------|-------------------------|
| Model Name      | NTSI550HX-3XXXXXA-400* | Display Mode             | VA Type, Normally Black |
| Screen Diagonal | 54.64 inch             | Response Time            | 12 msec.                |
| Display Area    | 1209.6x680.4 mm        | Backlight Unit           | LED (white LED)         |
| Resolution      | 1920x1080 (FHD)        | Viewing Angle (L/R, U/D) | 178°/178° (CR=10)       |
| Contrast Ratio  | 4000:1                 | Backlight Lifetime       | 50000 Hours             |
| Display Ratio   | 16:9                   | Operating Temp.          | 0~50°C                  |
| Support Color   | 1073M Colors           | Storage Temp.            | -20~60°C                |
| Pixel Pitch     | 0.63x0.63 mm           | Surface Treatment        | Anti-Reflection ≤1.452% |
| Brightness      | 2500nits               |                          |                         |

\* Depends on options.

## Input /Output

|             | Description | Connectors                           |
|-------------|-------------|--------------------------------------|
| Audio Input | Stereo      | TRS Connector Φ3.5mm (Earphone Jack) |
| Speakers    | 10W x2      |                                      |
| Power Input | 100~240VAC  | 100~240VAC, C14 Female Socket        |



## Accessories

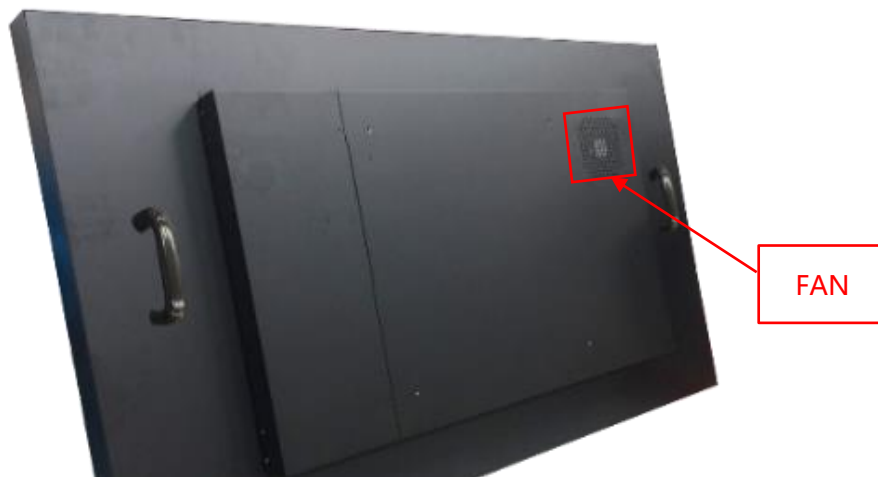
| Item       | Description   | Quantity |
|------------|---|----------|
| HDMI Cable | HDMI Male to Male, 1.8 Meter                              | 1        |
| Power cord | *Country Specific   | 1        |
| USB Cable  | A type, Male to Male, 1.5 Meter *(only for touch monitor) | 1        |

## General Options

| Video Input |                |                                |
|-------------|----------------|--------------------------------|
|             | Connectors     | Model Name                     |
| Standard    | VGA+HDMI+DP    | NTSI550HX-3XXXX <b>8</b> A-400 |
| Option      | VGA+DVI+HDMIx2 | NTSI550HX-3XXXX <b>A</b> A-400 |

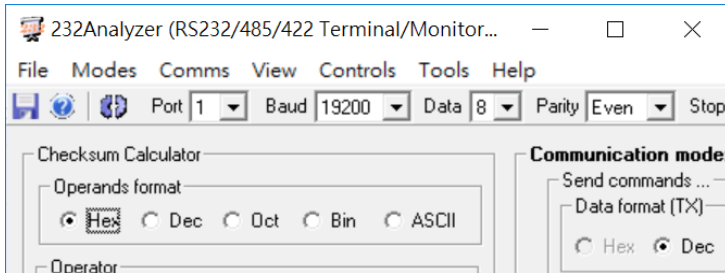
| Cabinet  |                         |                                |
|----------|-------------------------|--------------------------------|
|          | Description             | Model Name                     |
| Standard | Galvanized steel (SECC) | NTSI550HX-3XX <b>S</b> XXA-400 |
| Option 1 | Stainless Steel         | NTSI550HX-3XX <b>L</b> XXA-400 |
| Option 2 | Aluminum                | NTSI550HX-3XX <b>A</b> XXA-400 |

| Cooling Fan |  |                                |
|-------------|--|--------------------------------|
|             | Description                                    | Model Number                   |
| Standard    | Fanless  | NTSI550HX-3XXX <b>0</b> XA-400 |
| Option      | 7 Blades/1.92W/12V/1200r.p.m/Max.44.72CFM/25dB | NTSI550HX-3XXX <b>F</b> XA-400 |

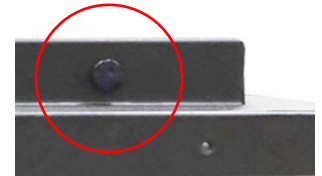




| OSD Control     |                         |  |
|-----------------|-------------------------|--|
|                 | Item                    | Description  |
| <b>Standard</b> | <b>Button</b>           | <b>Rear Physical Button</b>                        |
| Option 1        | Software Remote Control | Software Remote Control by RS232/Serial Port       |
| Option 2        | Auto Dimming            | Auto Brightness Adjusting by Built-in Light Sensor |



\* Software Remote Control



Light Sensor



## Supported OS

|         |                      |
|---------|----------------------|
| Windows | Win7, Win8, Win10 ↑  |
| Linux   | Kernel 2.6.24 ↑      |
| Android | 3.0 ↑                |
| Mac     | 10.5.x ↑ (Intel CPU) |



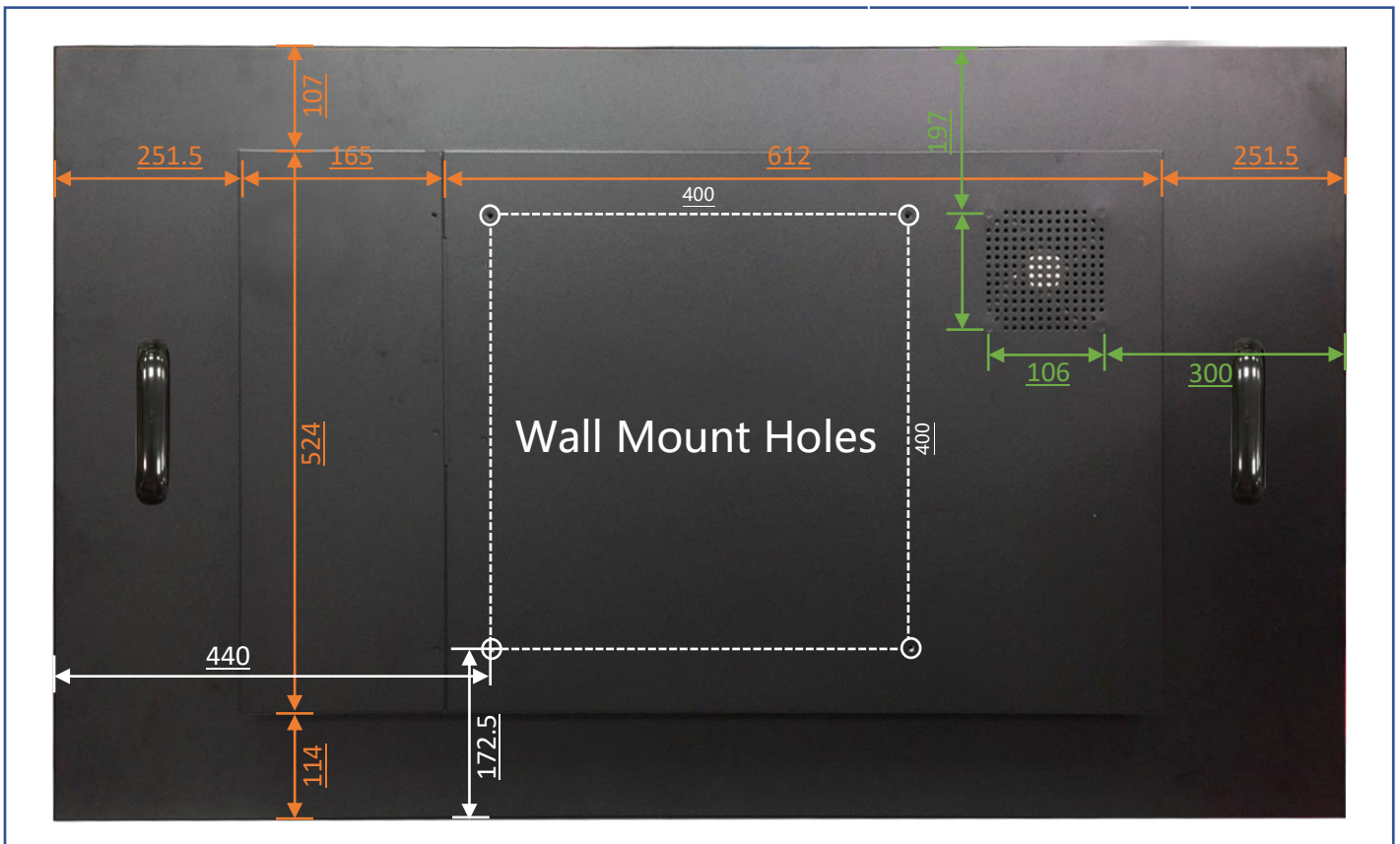
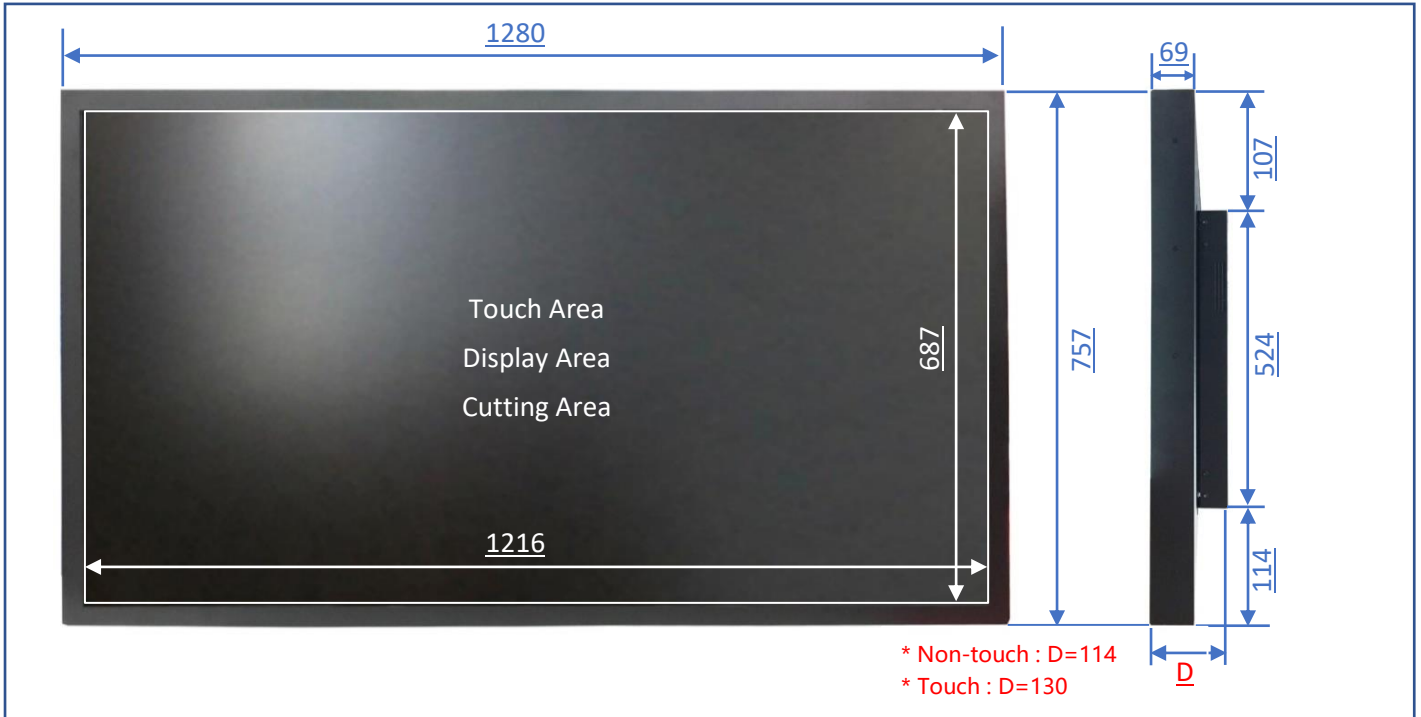
## Touch Options

| Non-Touch |                      |  |  |
|-----------|----------------------|--|--|
| Model No. | NTSI55H0-3XXXXXA-400 |  |  |

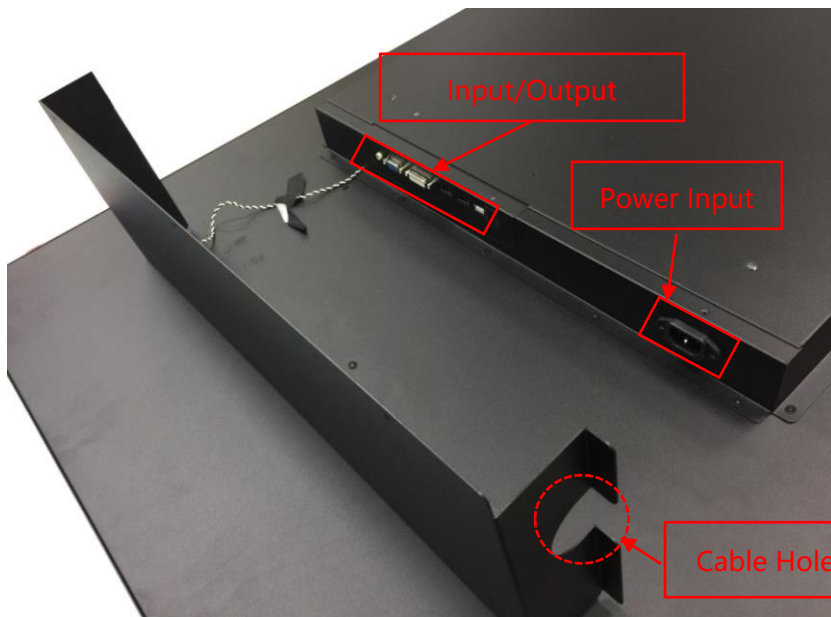
| I.R. Touch           |                      |                         |           |
|----------------------|----------------------|-------------------------|-----------|
| Model No.            | NTSI55HI-3XXXXXA-400 | Transparency            | ≥92%      |
| Touch Technology     | I.R. Touch           | Accuracy                | 99.00%    |
| Allowed Touch Points | 10 points            | Thickness of Cover Lens | 4.0±0.2mm |
| Interface            | USB                  | Hardness of Cover Lens  | 7H        |

## Physical Specifications

|                 |                            |              |                  |
|-----------------|----------------------------|--------------|------------------|
| Dimension (Max) | <b>1280x744.6xD*(±1)mm</b> | Net Weight   | ≦ <b>55.1 KG</b> |
| VESA Mounting   | <b>400x400 mm</b>          | Gross Weight | ≦ <b>62.7 KG</b> |



## Connector Protective Cover



Opened

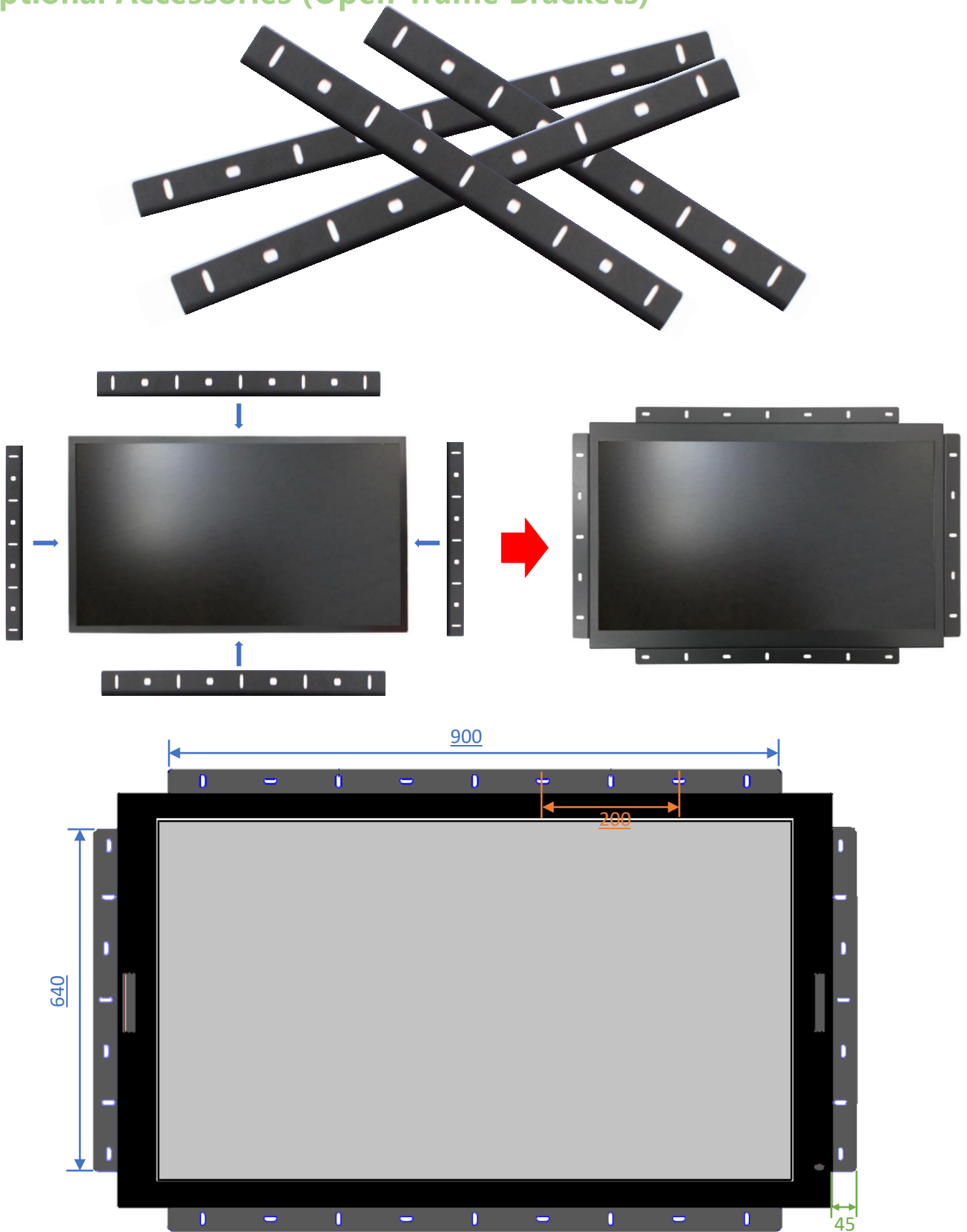


Closed

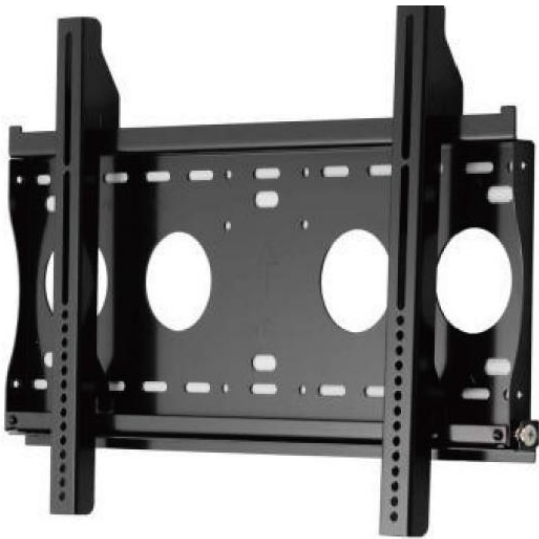
## Whiteboard Pen Holder (Option)



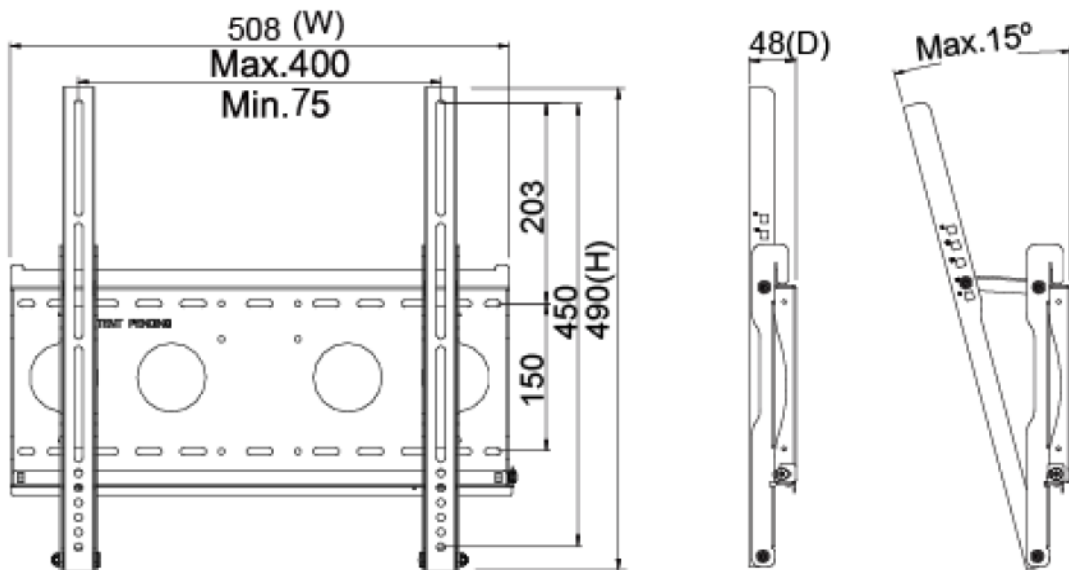
### Optional Accessories (Open-frame Brackets)



## Optional Accessories (Wall Mount Bracket)



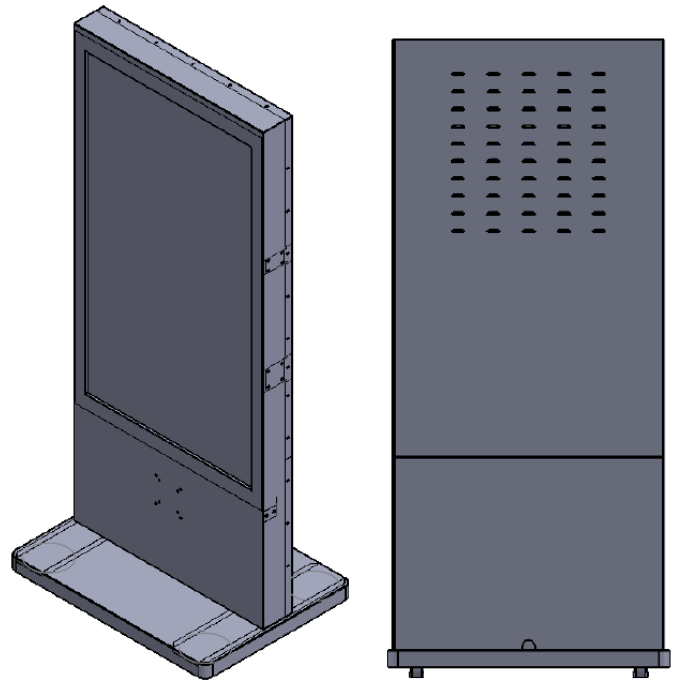
|                  |                          |                           |                      |
|------------------|--------------------------|---------------------------|----------------------|
| Part No.         | <b>WMB-B001</b>          |                           |                      |
| Mounting Pattern | <b>Max. 400x450 mm</b>   | Dimension (WxHxD)         | <b>508x490x48 mm</b> |
| Material         | <b>SECC</b>              | Net Weight                | <b>4.01 KG</b>       |
| Tilt (Hinge)     | <b>0°/5°/10°/13°/15°</b> | Support Max. Weight       | <b>80 KG</b>         |
| Screw Type       | <b>M4/M5/M6/M8</b>       | Min. Distance to The Wall | <b>48 mm</b>         |



### Optional Accessories (KIOSK Cabinet)



|          |                     |
|----------|---------------------|
| Material | SECC                |
| Caster   | 4 (front 2 braking) |

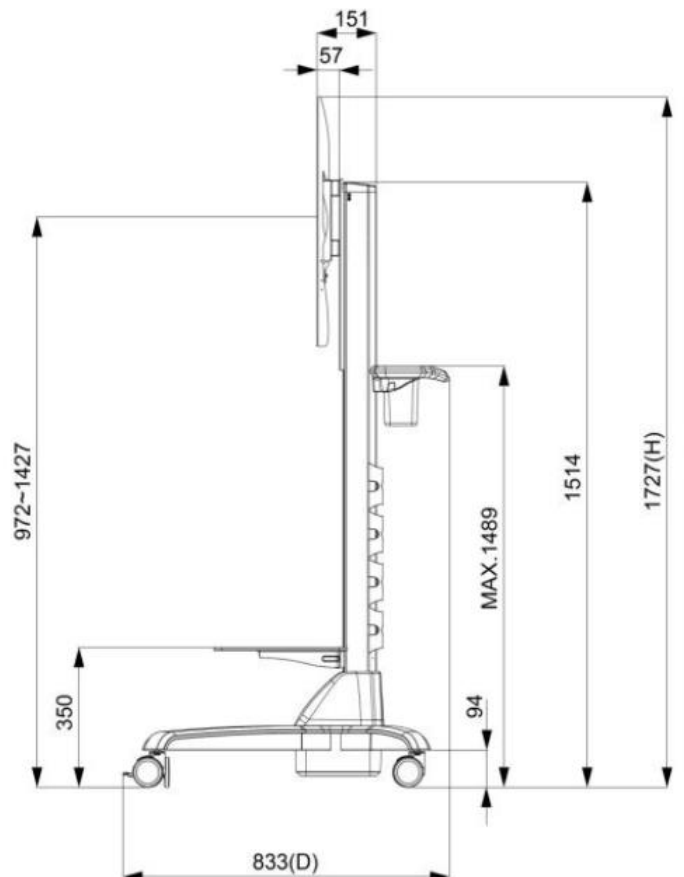
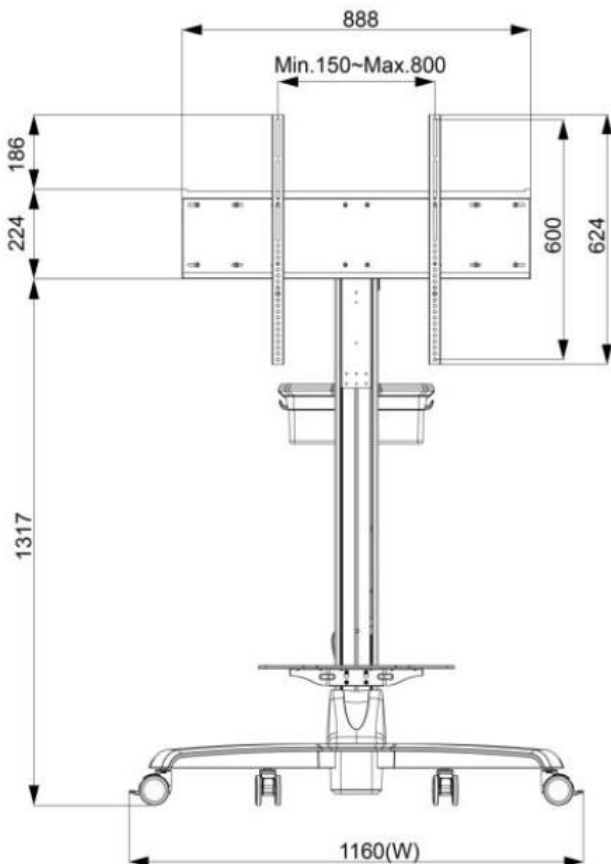




## Optional Accessories (Cart)



|                     |                               |
|---------------------|-------------------------------|
| Net Weight          | <b>28.4 KG</b>                |
| Power System        | <b>AC 200~240V 50/60Hz</b>    |
| User Interface      | <b>Button (up/down)</b>       |
| Packaged Dimension  | <b>W1160xD833xH1727 mm</b>    |
| Screw Type          | <b>M4/M5/M6/M8</b>            |
| Material            | <b>Aluminum/Plastic/Steel</b> |
| Max. Mount Pattern  | <b>800x600mm</b>              |
| Max. Weight Load    | <b>80 KG</b>                  |
| Caster              | <b>4 (front 2 braking)</b>    |
| Height Adjust Range | <b>455 mm</b>                 |
| RoHS/REACH          | <b>Yes</b>                    |



## Packing Information



|                      |                           |
|----------------------|---------------------------|
| Dimensions of Carton | <b>145.5x32.9x95.6 CM</b> |
| Net Weight           | <b>≤55.1 KG</b>           |
| Gross Weight         | <b>≤62.7 KG</b>           |