

Product Specifications

Customer	
Model	NTSM185 V400



Records of Revision			
Vision	Modifying	Old Description	New Description
v1805.1	Preliminary Specifications		
v1805.2	Revise Dimension		
v1805.3	Revise Model Number of Touch Options		
v1805.4	Revise Dimension		
v1805.5	Format Updated		
v1805.6	1. Add Antibacterial Film Option 2. Add Color Options		

Features

- ★ 18.5" 1366x768 (HD) Resolution
- ★ Resistive/Capacitive Touch Options
- ★ Metal Cabinet with Diverse Combine Options
- ★ Made in Taiwan, 3 Years Warranty
- ★ Designed for Harsh Environments
- ★ Optional High Brightness/Sunlight Readable
- ★ Optional 9~36VDC Power Input
- ★ Optional Video Input (VGA/DVI/HDMI/DP)
- ★ Optional Software Remote Control by RS232
- ★ Optional Auto Dimming Function (with Light Sensor)
- ★ Optional AG/AR/AF/AS Film
- ★ **Optional Antibacterial Film Option, disinfects 99.99% of Harmful Bacteria**



Side Brackets



Desktop Stand



Wall Mounting



PSE



BSMI



FCC



CE



RoHS



ISO9001

Display Specifications

Model Name	NTSM185XX-1XXXXXX-400*	Display Mode	TN Mode, Normally White
Screen Diagonal	470.1mm (18.51 inch)	Response Time	5 msec.
Display Area	409.8x230.4 mm	Backlight Unit	LED (white LED)
Resolution	1366x768 (HD)	Viewing Angle (L/R, U/D)	170°/160° (CR=10)
Contrast Ratio	1000:1	Backlight Lifetime	30000 Hours
Display Ratio	16:9	Operating Temp.	0~50°C
Support Color	16.7M Colors	Storage Temp.	-20~60°C
Pixel Pitch	0.3x0.3 mm	Surface Treatment	Anti-glare, Hardness 3H

* X = A~Z, 0~9 (Depends on options)

Audio System

	Description	Connector
Audio Input	Stereo	TRS Connector Φ3.5mm (Earphone Jack)
Speakers	2W x2	



Supported OS

Windows	Win10, Win8, Win7, Vista, XP, Embedded XP, Win2000, CE.NET 4.x ↑
Linux	Kernel 2.6.24 ↑
Android	3.0 ↑
Mac	10.5.x ↑ (Intel CPU)

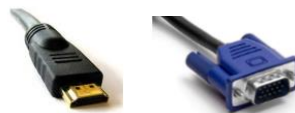
General Options

Brightness			
	Brightness	Environment	Model Name
Standard	250nits	General (Indoor Environment)	NTSM185<u>N</u>X-1XXXXXX-400
Option 1	1000nits	Outdoor Environment	NTSM185 <u>A</u> X-1XXXXXX-400
Option 2	1500nits	Sunlight Readable	NTSM185 <u>F</u> X-1XXXXXX-400

Video Input		
	Connectors	Model Name
Standard	VGA+DVI	NTSM185XX-1XXXX<u>4</u>X-400
Option 1	VGA+HDMI	NTSM185XX-1XXXX <u>2</u> X-400
Option 2	VGA+HDMI+DP	NTSM185XX-1XXXX <u>3</u> X-400



Standard / VGA+DVI



Option 1 / VGA+HDMI



Option 2 / VGA+HDMI+DP

Power Input		
	Description	Model Number
Standard	12VDC , DC Power Jack Φ2.1mm	NTSM185XX-1XXXXX<u>1</u>-400
Option 1	12VDC , DC Lockable Power Jack Φ 2.1mm	NTSM185XX-1XXXXX <u>2</u> -400
Option 2	9~36VDC, Phoenix Terminal Block	NTSM185XX-1XXXXX <u>P</u> -400



Option 1 / Lockable Power Jack



Option 2 / Phoenix Terminal Block

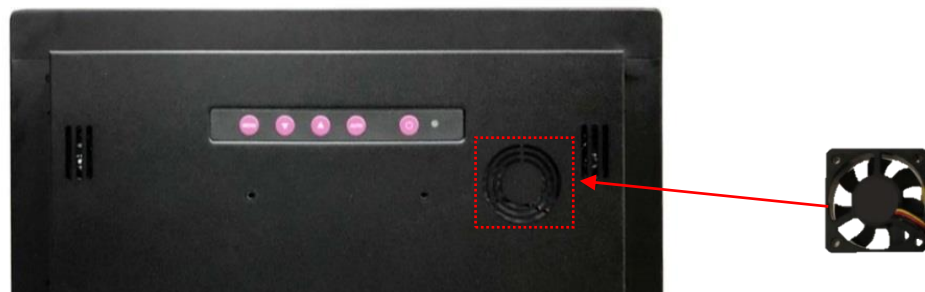
General Options (Continued)

Cabinet		
	Description	Model Name
Standard	Galvanized steel (SECC)	NTSM185XX-1XX<u>S</u>XXX-400
Option 1	Stainless Steel	NTSM185XX-1XX <u>L</u> XXX-400
Option 2	Aluminum	NTSM185XX-1XX <u>A</u> XXX-400

Color of Cabinet		
	Description	Model Name
Standard	Black	NTSM185XX-1<u>B</u>XXXXXX-400
Option 1	White	NTSM185XX-1 <u>W</u> XXXXXX-400
Option 2	Sliver	NTSM185XX-1 <u>S</u> XXXXXX-400
Options	Other Color	NTSM185XX-1 <u>X</u> XXXXXX-400

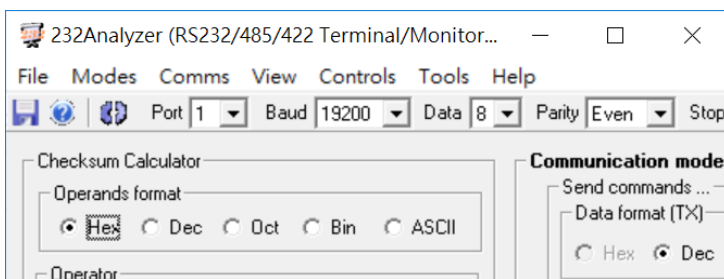
* X = A~Z, 0~9 (Depends on Color)

Cooling Fan		
	Description	Model Number
Standard	Fanless	NTSM185XX-1XXX<u>0</u>XX-400
Option	7 Blades/1.2W/4000r.p.m/Max.10.96CFM/28.3dB	NTSM185XX-1XXX <u>F</u> XX-400

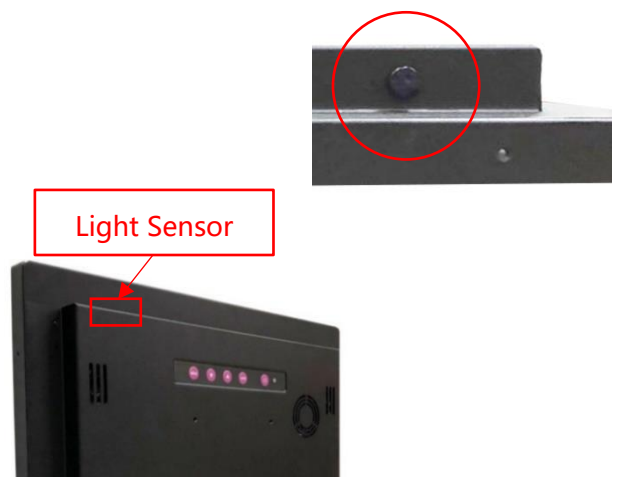


General Options (Continued)

OSD Control		
	Item	Description
Standard	Button	Rear Physical Button
Option 1	Software Remote Control	Software Remote Control by RS232/Serial Port
Option 2	Auto Dimming	Auto Brightness Adjusting by Built-in Light Sensor



* Software Remote Control



Accessories

Item	Description	Quantity
VGA Cable	D-Sub 15Pin Male to Male, 1.2 Meter	1
Audio cable	3.5mm Headset Jack, Male to Male, 1.2 Meter	1
AC-DC Adapter	4.16A/12V with CE/FCC/CCC/UL/RoHS/PSE/JET Certification	1
Power cord	*Country Specific	1
USB Cable	A type, Male to Male, 1.5 Meter *(only for touch monitor)	1

Touch Options

Non-Touch			
Model No.	NTSM185X0-1XXXXXX-400		

Resistive Touch			
Model No.	NTSM185X5-1XXXXXX-400	Transparency	80%±5%
Touch Screen	5 Wire Resistive Touch	Precision	98.50%
Allowed touch points	1 point	Surface Treatment	Anti-glare <15%
Interface	USB/RS232	Hardness	≥3H

Projected Capacitive Touch			
Model No.	NTSM185XP-1XXXXXX-400	Transparency	≥90%±3%
Touch Screen	Projected Capacitive	Accuracy	99.00%
Allowed touch points	10 points	Thickness of Cover Lens	1.8±0.1 mm
Interface	USB/RS232 (Optional)	Hardness	≥7H

Active Stylus Option	
Technology	Active Capacitive Coupled
Working Frequencies	90~250 KHZ
Pressure Level	256~1024 Levels
Side Buttons	2 Side Buttons (Eraser, Barrel)
Active Tip Force	5~25g
Max. Tip Force	400g

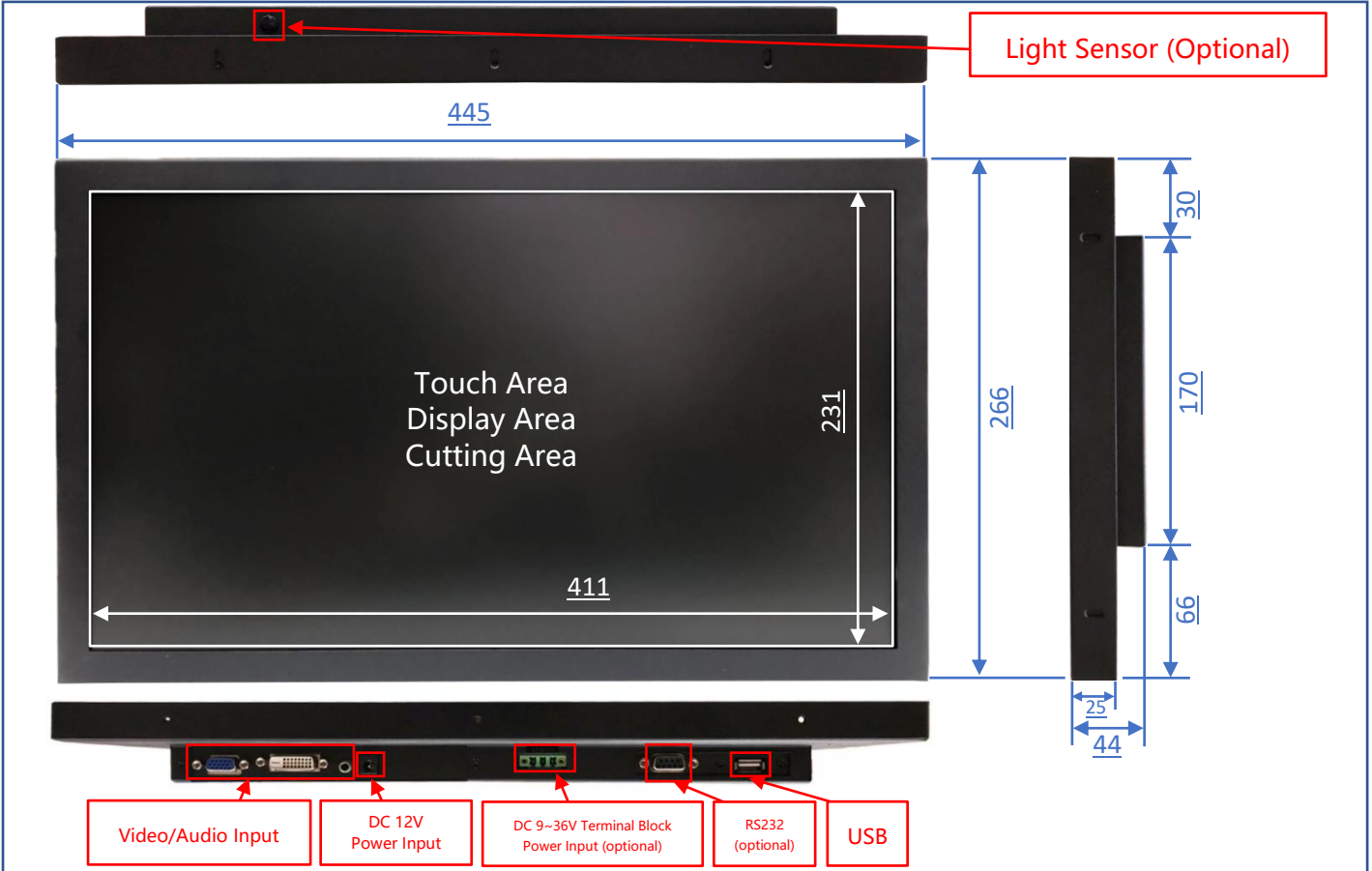


Surface Film Options	
Standard	(none)
Option	Antibacterial (AB Film)
Option	Anti-Glare (AG Film)
Option	Anti-Reflective (AR Film)
Option	Anti-Fouling/Fingerprint (AFP Film)
Option	Anti-Spy (AS Film)
Option	UV-Cut (UV Film)



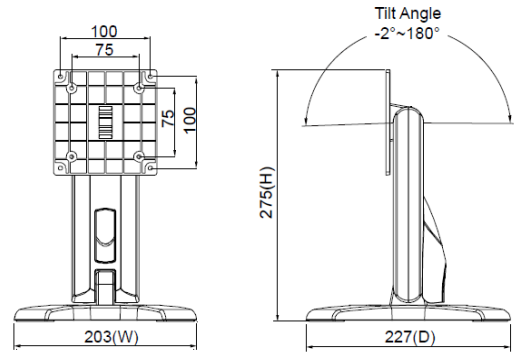
Physical Specifications

Dimension (Max)	445x266x44(±1)mm	Net Weight	4.8 KG
VESA Mounting	75x75 mm	Gross Weight	6.9 KG

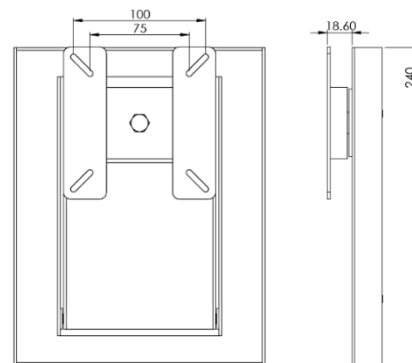


Optional Accessories (Desktop Stand)

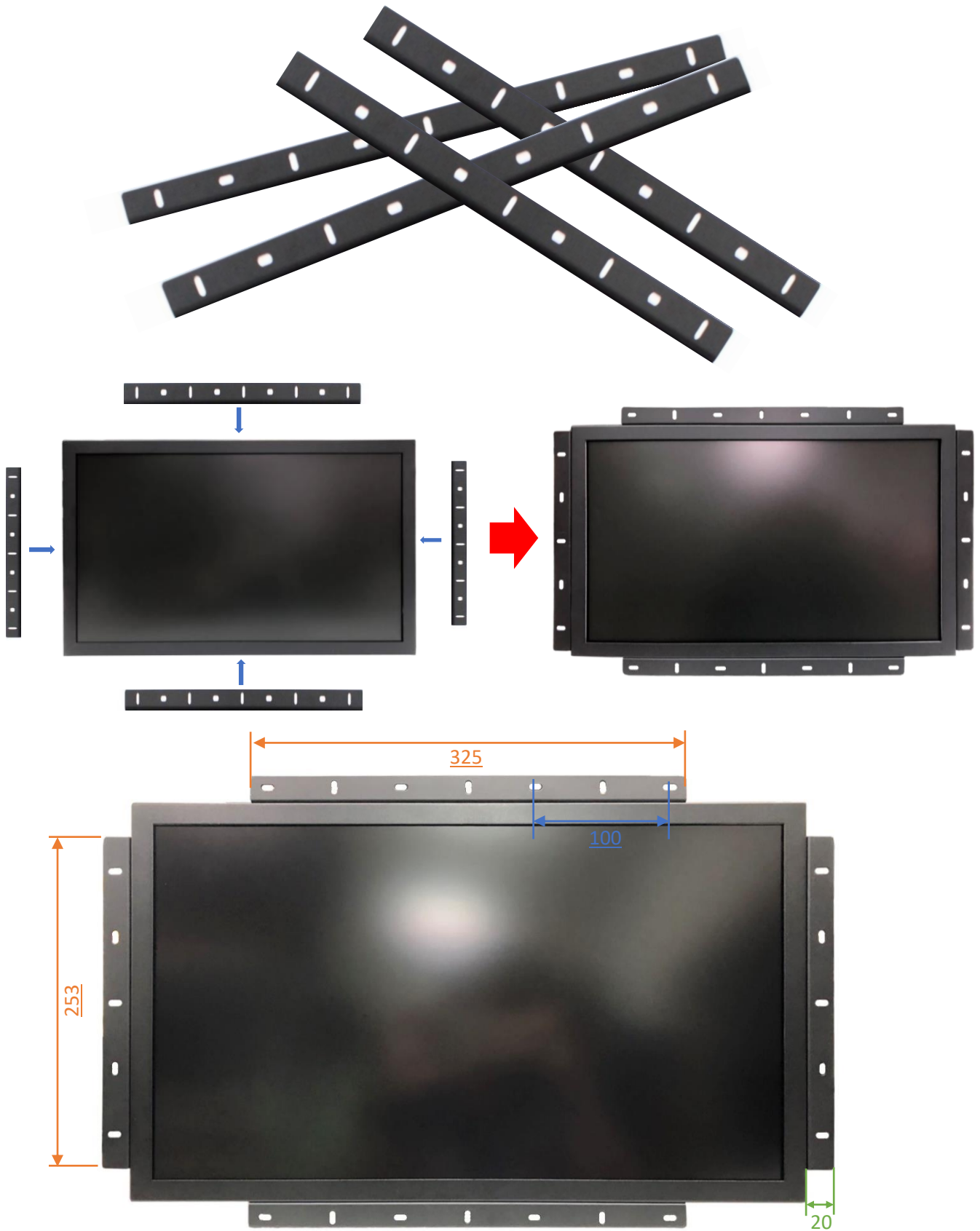
Item	B Stand	Part No.	DST-0B002/DST-1B002
Mounting Pattern	100x100 / 75x75 mm	Dimension (WxHxD)	203x275x227 mm
Material	Steel/Plastic/Aluminum	Net Weight	1.8 KG
Tile (Hinge)	-2° ~+180°	Support Max. Weight	15 KG



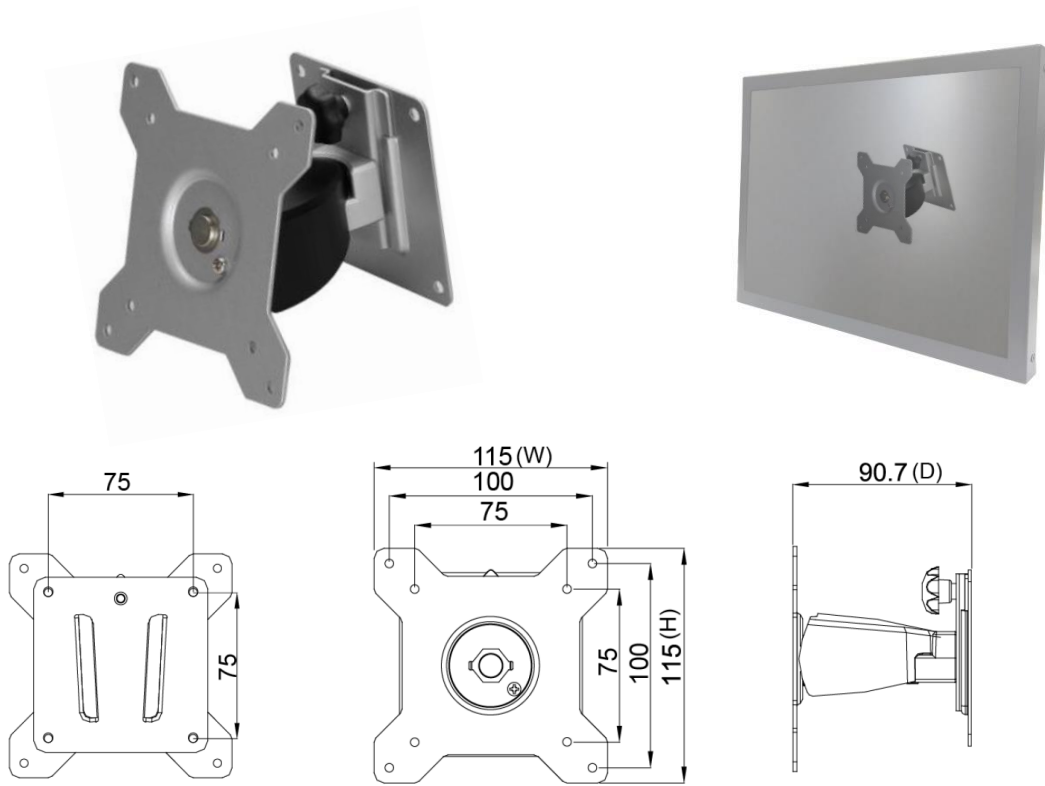
Item	Z Stand	Part No.	DST-0BZ01/DST-1BZ01
Mounting Pattern	100x100 / 75x75 mm	Dimension (WxHxD)	190x240x41.6
Material	SECC	Net Weight	2.6 KG
Tile (Hinge)	±360°	Support Max. Weight	15 KG



Optional Accessories (Open-frame Brackets)



Optional Accessories (Wall Mount Bracket)

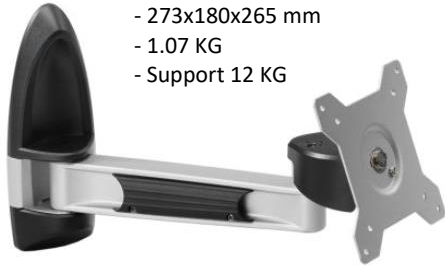


Packing Information



Dimensions of Carton	620x520x170 mm
Net Weight	≤4.8 KG
Gross Weight	≤6.9 KG

Optional Accessories (Desktop Stand or Arm)



- 273x180x265 mm
- 1.07 KG
- Support 12 KG



- 620x556x123 mm
- 3 KG
- Support 10 KG



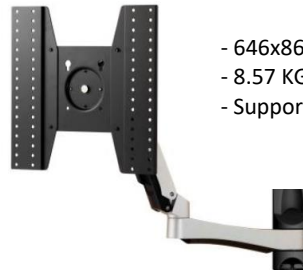
- 250x192x445 mm
- 1.4 KG
- Support 12 KG



- 655x858.5x563 mm
- 7.56 KG
- Support 30 KG



- 158x403x144 mm
- 2.12 KG
- Support 12 KG



- 646x861x953.5 mm
- 8.57 KG
- Support 30 KG



- 423x403x240 mm
- 1.91 KG
- Support 12 KG



- 1300x403x307 mm
- 5.3 KG
- Support 8 KG (2.7 KG Each)



- 715x393x144 mm
- 3.68 KG
- Support 12 KG (6 KG Each)

