



# Product Specifications

<b>Customer</b>	
<b>Model</b>	<b>NTSM185-3 V400</b>



Records of Revision			
Vision	Modifying	Old Description	New Description
v1811.1	Preliminary Specifications		
v1811.2	Format Updated		
v1811.3	<b>1. Add Antibacterial Film Option 2. Add Color Options</b>		

## Features

- ★ 18.5" 1920x1080 (FHD) Resolution
- ★ AHVA Wide Viewing Angle 178°/178°
- ★ Wide Operating Temperature -20~70°C
- ★ Resistive/Capacitive Touch Options
- ★ Metal Cabinet with Diverse Combine Options
- ★ Made in Taiwan, 3 Years Warranty
- ★ Designed for Harsh Environments
- ★ Optional High Brightness/Sunlight Readable
- ★ Optional 9~36VDC Power Input
- ★ Optional Video Input (VGA/DVI/HDMI/DP)
- ★ Optional Software Remote Control by RS232
- ★ Optional Auto Dimming Function (with Light Sensor)
- ★ Optional AG/AR/AF/AS Film
- ★ **Optional Antibacterial Film Option, disinfects 99.99% of Harmful Bacteria**



Side Brackets



Desktop Stand



Wall Mounting



PSE



BSMI



FCC



CE



RoHS



ISO9001

## Display Specifications

Model Name	NTSM185XX-3XXXXXX-400*	Display Mode	AHVA Mode, Normally Black
Screen Diagonal	469.2mm (18.5 inch)	Response Time	20 msec.
Display Area	409.0x230.0 mm	Backlight Unit	LED (white LED)
Resolution	1920x1080 (FHD)	Viewing Angle (L/R, U/D)	178°/178° (CR=10)
Contrast Ratio	1000:1	Backlight Lifetime	50000 Hours
Display Ratio	16:9	Operating Temp.	-20~70°C
Support Color	16.7M Colors	Storage Temp.	-20~70°C
Pixel Pitch	0.213x0.213 mm	Surface Treatment	Anti-glare, Hardness 3H

\* X = A~Z, 0~9 (Depends on options)

## Audio System

	Description	Connector
Audio Input	Stereo	TRS Connector $\Phi$ 3.5mm (Earphone Jack)
Speakers	2W x2	



## Supported OS

Windows	Win10, Win8, Win7, Vista, XP, Embedded XP, Win2000, CE.NET 4.x ↑
Linux	Kernel 2.6.24 ↑
Android	3.0 ↑
Mac	10.5.x ↑ (Intel CPU)

## General Options

Brightness			
	Brightness	Environment	Model Name
<b>Standard</b>	<b>500nits</b>	<b>General (Indoor Environment)</b>	<b>NTSM185<u>N</u>X-3XXXXXX-400</b>
Option 1	1000nits	Outdoor Environment	NTSM185 <u>A</u> X-3XXXXXX-400
Option 2	1500nits	Sunlight Readable	NTSM185 <u>F</u> X-3XXXXXX-400

Video Input		
	Connectors	Model Name
<b>Standard</b>	<b>VGA+DVI</b>	<b>NTSM185XX-3XXXX<u>1</u>X-400</b>
Option 1	VGA+HDMI	NTSM185XX-3XXXX <u>2</u> X-400
Option 2	VGA+HDMI+DP	NTSM185XX-3XXXX <u>3</u> X-400



Standard / VGA+DVI



Option 1 / VGA+HDMI



Option 2 / VGA+HDMI+DP

Power Input		
	Description	Model Number
<b>Standard</b>	<b>12VDC , DC Power Jack <math>\Phi</math>2.1mm</b>	<b>NTSM185XX-3XXXX<u>1</u>-400</b>
Option 1	12VDC , DC Lockable Power Jack $\Phi$ 2.1mm	NTSM185XX-3XXXX <u>2</u> -400
Option 2	9~36VDC, Phoenix Terminal Block	NTSM185XX-3XXXX <u>P</u> -400



Option 1 / Lockable Power Jack



Option 2 / Phoenix Terminal Block

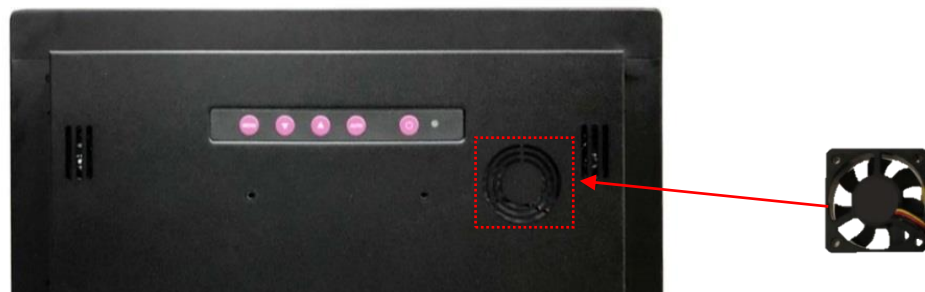
## General Options (Continued)

Cabinet		
	Description	Model Name
<b>Standard</b>	<b>Galvanized steel (SECC)</b>	<b>NTSM185XX-3XX<u>S</u>XXX-400</b>
Option 1	Stainless Steel	NTSM185XX-3XX <u>L</u> XXX-400
Option 2	Aluminum	NTSM185XX-3XX <u>A</u> XXX-400

Color of Cabinet		
	Description	Model Name
<b>Standard</b>	<b>Black</b>	<b>NTSM185XX-3<u>B</u>XXXXXX-400</b>
Option 1	White	NTSM185XX-3 <u>W</u> XXXXXX-400
Option 2	Sliver	NTSM185XX-3 <u>S</u> XXXXXX-400
Options	Other Color	NTSM185XX-3 <u>X</u> XXXXXX-400

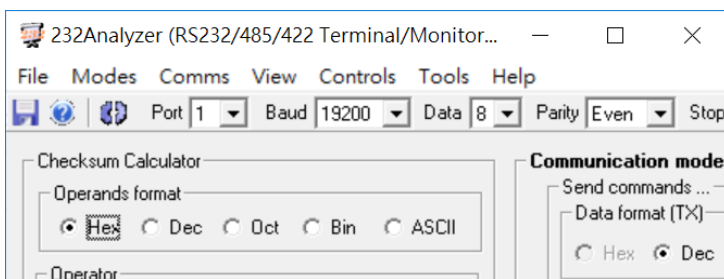
\* X = A~Z, 0~9 (Depends on Color)

Cooling Fan		
	Description	Model Number
<b>Standard</b>	<b>Fanless</b>	<b>NTSM185XX-3XXX<u>0</u>XX-400</b>
Option	7 Blades/1.2W/4000r.p.m/Max.10.96CFM/28.3dB	NTSM185XX-3XXX <u>F</u> XX-400

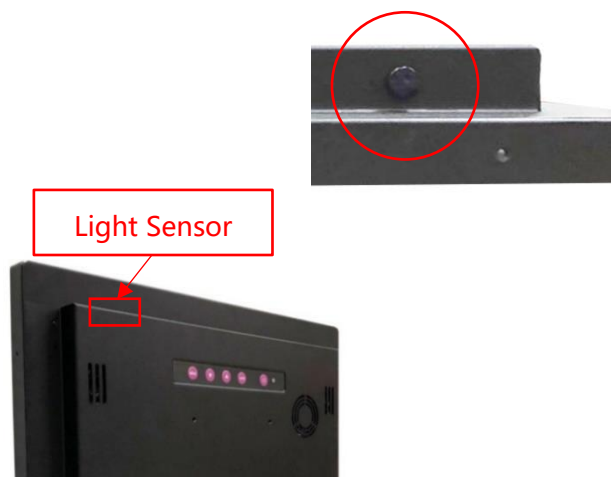


## General Options (Continued)

OSD Control		
	Item	Description
<b>Standard</b>	<b>Button</b>	<b>Rear Physical Button</b>
Option 1	Software Remote Control	Software Remote Control by RS232/Serial Port
Option 2	Auto Dimming	Auto Brightness Adjusting by Built-in Light Sensor



\* Software Remote Control



## Accessories

Item	Description	Quantity
VGA Cable	<b>D-Sub 15Pin Male to Male, 1.2 Meter</b>	<b>1</b>
Audio cable	<b>3.5mm Headset Jack, Male to Male, 1.2 Meter</b>	<b>1</b>
AC-DC Adapter	<b>4.16A/12V with CE/FCC/CCC/UL/RoHS/PSE/JET Certification</b>	<b>1</b>
Power cord	<b>*Country Specific</b>	<b>1</b>
USB Cable	<b>A type, Male to Male, 1.5 Meter *(only for touch monitor)</b>	<b>1</b>

## Touch Options

Non-Touch			
Model No.	NTSM185X0-3XXXXXXX-400		

Resistive Touch			
Model No.	NTSM185X5-3XXXXXXX-400	Transparency	80%±5%
Touch Screen	5 Wire Resistive Touch	Precision	98.50%
Allowed touch points	1 point	Surface Treatment	Anti-glare <15%
Interface	USB/RS232	Hardness	≥3H

Projected Capacitive Touch			
Model No.	NTSM185XP-3XXXXXXX-400	Transparency	≥90%±3%
Touch Screen	Projected Capacitive	Accuracy	99.00%
Allowed touch points	10 points	Thickness of Cover Lens	1.8±0.1 mm
Interface	USB/RS232 (Optional)	Hardness	≥7H

Active Stylus Option	
Technology	Active Capacitive Coupled
Working Frequencies	90~250 KHZ
Pressure Level	256~1024 Levels
Side Buttons	2 Side Buttons (Eraser, Barrel)
Active Tip Force	5~25g
Max. Tip Force	400g

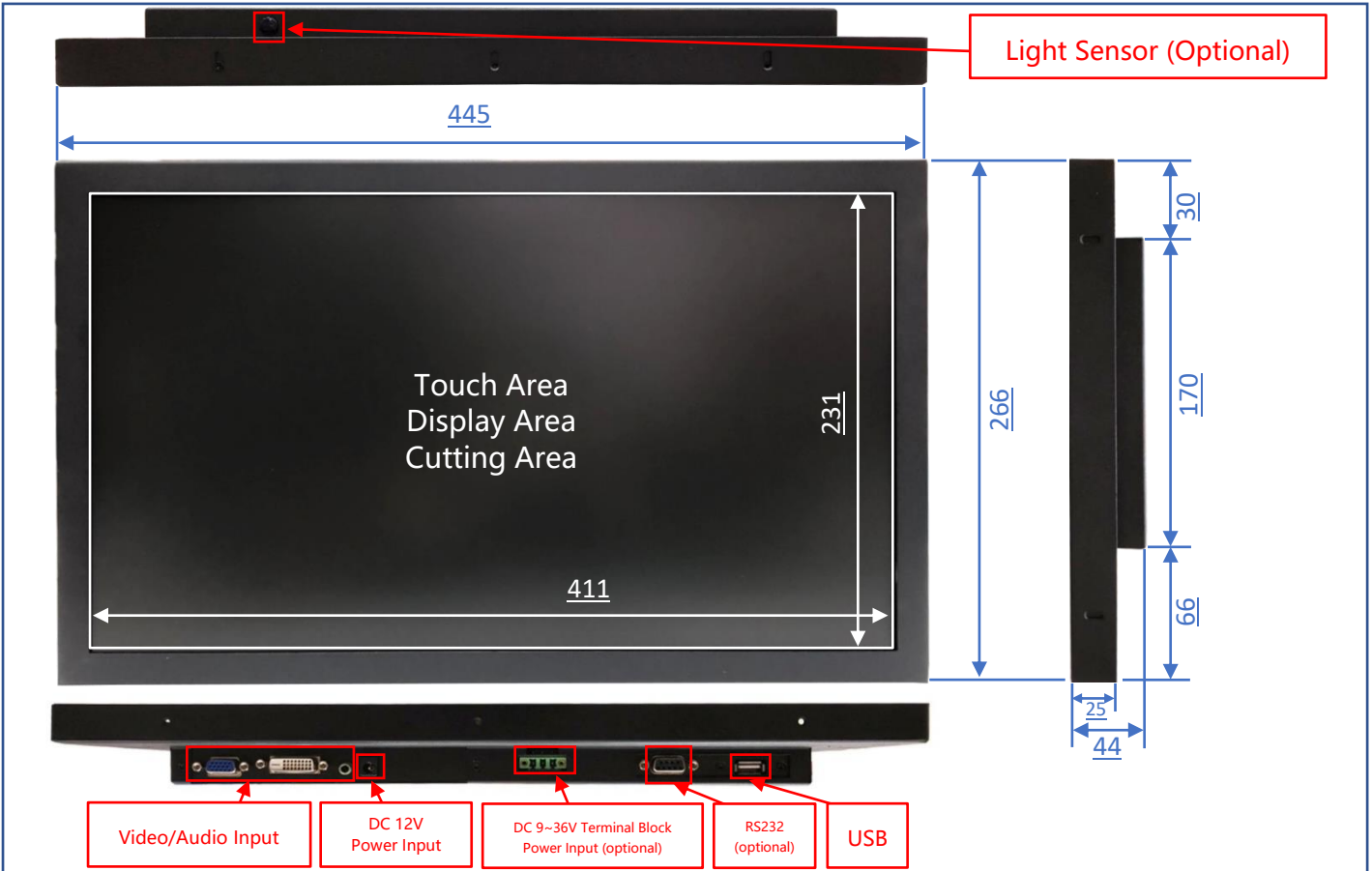


Surface Film Options	
<b>Standard</b>	<b>(none)</b>
Option	Antibacterial (AB Film)
Option	Anti-Glare (AG Film)
Option	Anti-Reflective (AR Film)
Option	Anti-Fouling/Fingerprint (AFP Film)
Option	Anti-Spy (AS Film)
Option	UV-Cut (UV Film)



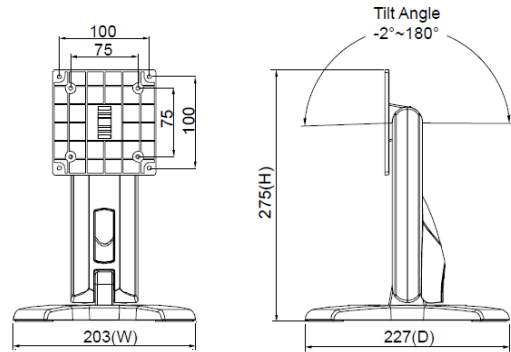
## Physical Specifications

Dimension (Max)	<b>445x266x44(±1)mm</b>	Net Weight	<b>4.8 KG</b>
VESA Mounting	<b>75x75 mm</b>	Gross Weight	<b>6.9 KG</b>

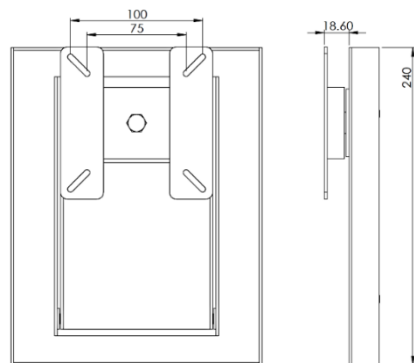


### Optional Accessories (Desktop Stand)

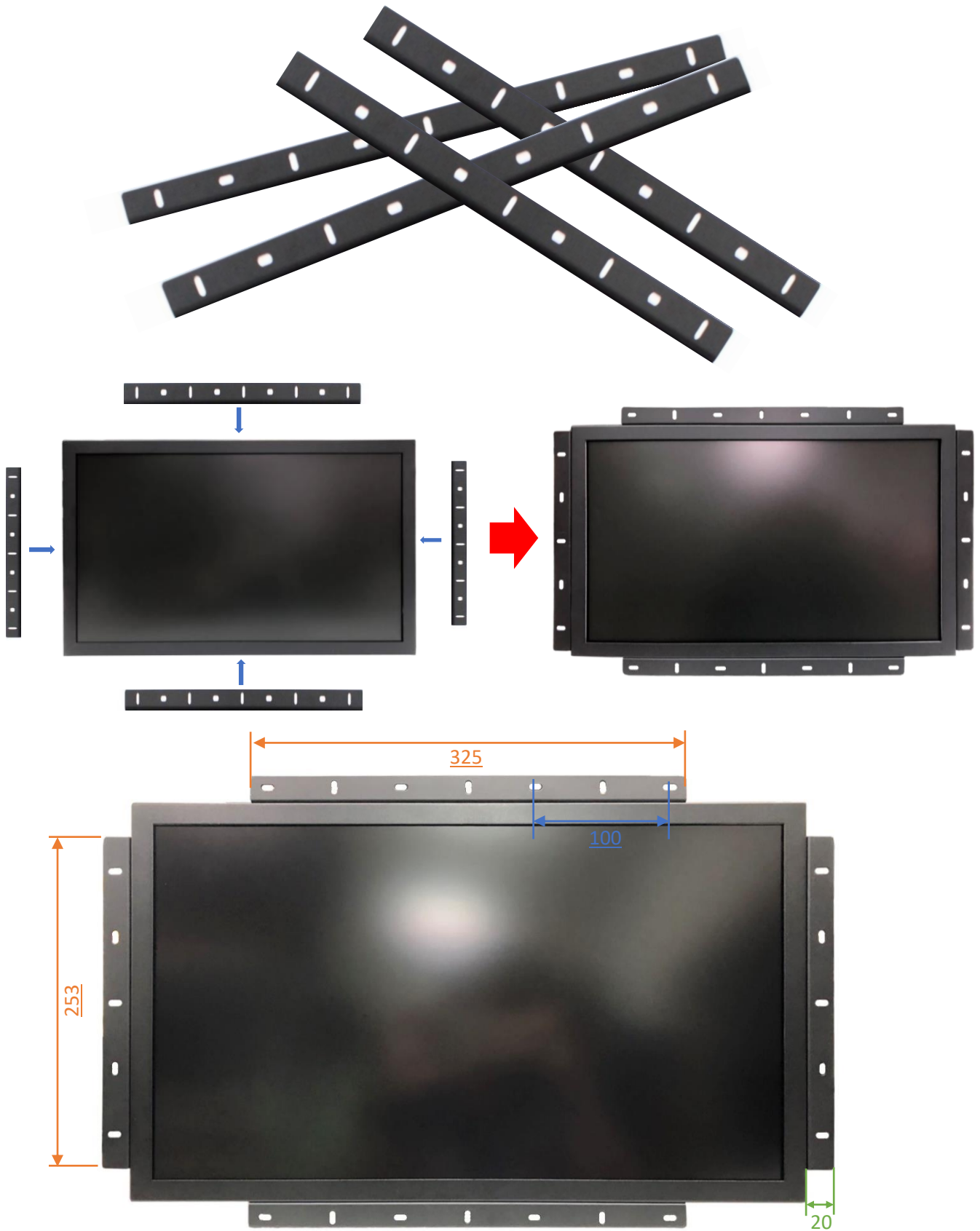
Item	B Stand	Part No.	DST-0B002/DST-1B002
Mounting Pattern	100x100 / 75x75 mm	Dimension (WxHxD)	203x275x227 mm
Material	Steel/Plastic/Aluminum	Net Weight	1.8 KG
Tile (Hinge)	-2° ~+180°	Support Max. Weight	15 KG



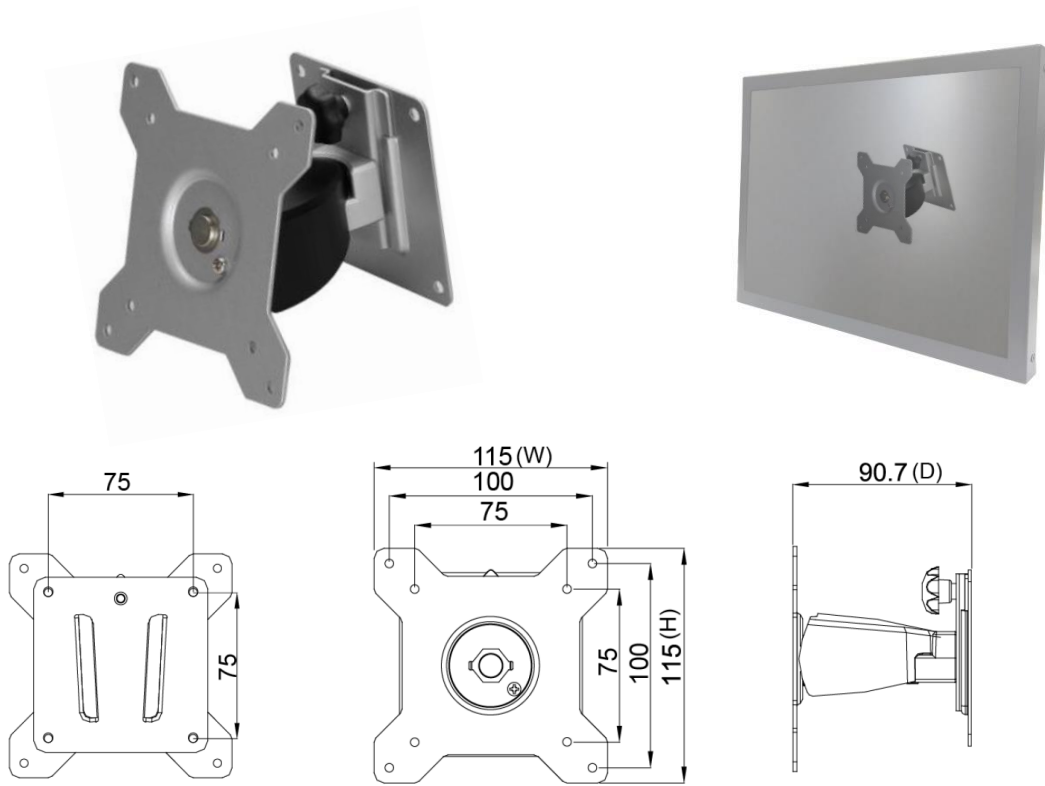
Item	Z Stand	Part No.	DST-0BZ01/DST-1BZ01
Mounting Pattern	100x100 / 75x75 mm	Dimension (WxHxD)	190x240x41.6
Material	SECC	Net Weight	2.6 KG
Tile (Hinge)	±360°	Support Max. Weight	15 KG



## Optional Accessories (Open-frame Brackets)



## Optional Accessories (Wall Mount Bracket)

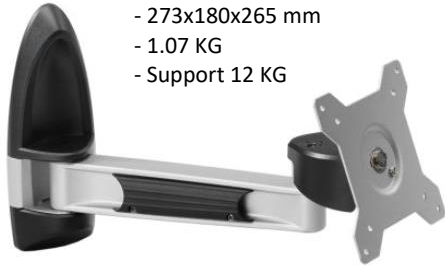


## Packing Information



Dimensions of Carton	<b>620x520x170 mm</b>
Net Weight	<b>≤4.8 KG</b>
Gross Weight	<b>≤6.9 KG</b>

Optional Accessories (Desktop Stand or Arm)



- 273x180x265 mm  
- 1.07 KG  
- Support 12 KG



- 620x556x123 mm  
- 3 KG  
- Support 10 KG



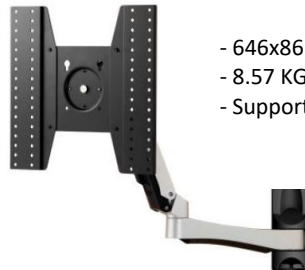
- 250x192x445 mm  
- 1.4 KG  
- Support 12 KG



- 655x858.5x563 mm  
- 7.56 KG  
- Support 30 KG



- 158x403x144 mm  
- 2.12 KG  
- Support 12 KG



- 646x861x953.5 mm  
- 8.57 KG  
- Support 30 KG



- 423x403x240 mm  
- 1.91 KG  
- Support 12 KG



- 1300x403x307 mm  
- 5.3 KG  
- Support 8 KG (2.7 KG Each)



- 715x393x144 mm  
- 3.68 KG  
- Support 12 KG (6 KG Each)

