

# Product Specifications

<b>Customer</b>	
<b>Model</b>	<b>NTSM240 V400</b>



## Records of Revision

Vision	Modifying	Old Description	New Description
v1807.1	Preliminary Specifications		
v1807.2	Outward Dimension Revised		
v1807.3	Packing Information Revised		
v1807.4	Format Updated		
v1807.5	<ol style="list-style-type: none"> <li>1. Add Antibacterial Film Option</li> <li>2. Add Color Options</li> </ol>		
V1807.6	<ol style="list-style-type: none"> <li>1. Revise the model no. with option : 1000nits</li> <li>2. Remove the option with 600nits</li> <li>3. Adjusted the specification layout</li> </ol>	NTSM240A0-2X0XXXX-400	NTSM240A0-1X0XXXX-400
v1807.7	<b>Replace the Wall Mount</b>		

### Features

- ★ 24" 1920x1080(FHD) Resolution
- ★ Metal Cabinet with Diverse Combine Options
- ★ Made in Taiwan, 3 Years Warranty
- ★ Designed for Harsh Environments
- ★ Optional Video Input Connectors (VGA/DVI/HDMI/DP)
- ★ Optional High Brightness/Sunlight Readable
- ★ Optional 9~36VDC Power Input Options
- ★ Optional Software Remote Control by RS232
- ★ Optional Auto Dimming Function (with Light Sensor)
- ★ Optional AG/AR/AF/AS Film
- ★ **Optional Antibacterial Film Option, disinfects 99.99% of Harmful Bacteria**



Desktop Stand



Side Brackets



Wall Mounting



PSE



BSMI



FCC



CE



RoHS



ISO9001



## Display Specifications

Model Name	NTSM240X0-1X0XXXX-400*	Display Mode	TN mode, Normally White
Screen Diagonal	609.7 mm (24 inch)	Response Time	5 msec.
Display Area	531.4x298.9 mm	Backlight Unit	LED (white LED)
Resolution	1920x1080 (FHD)	Viewing Angle (L/R, U/D)	170°/160° (CR <sub>≥</sub> 10)
Contrast Ratio	1000:1	Backlight Lifetime	30000 HRS
Display Ratio	16:9	Operating Temp.	0~50°C
Support Color	16.7M Colors	Storage Temp.	-20~60°C
Pixel Pitch	276.75x276.75 um	Surface Treatment	Anti-glare, Hardness 3H

\* X = A~Z, 0~9 (Depends on options)

## General Options

Brightness			
	Brightness	Environment	Model Name
<b>Standard</b>	<b>250nits</b>	<b>General (Indoor Environment)</b>	<b>NTSM240N0-1X0XXXX-400</b>
Option 1	1000nits	Outdoor Environment	NTSM240A0-1X0XXXX-400
Option 2	1500nits	Sunlight Readable	NTSM240F0-2X0XXXX-400*

\* Check the data sheet NTSM240-2

## Supported OS

Windows	Win10, Win8, Win7 , Vista, XP, Embedded XP, Win2000, CE.NET 4.x ↑
Linux	Kernel 2.6.24 ↑
Android	3.0 ↑
Mac	10.5.x ↑ (Intel CPU)

## Accessories

Item	Description	Quantity
VGA Cable	D-Sub 15Pin Male to Male, 1.2 Meter	1
Audio cable	3.5mm Headset Jack, Male to Male, 1.2 Meter	1
AC-DC Adapter	4.16A/12V with CE/FCC/CCC/UL/RoHS/PSE/JET Certification	1
Power cord	*Country Specific	1

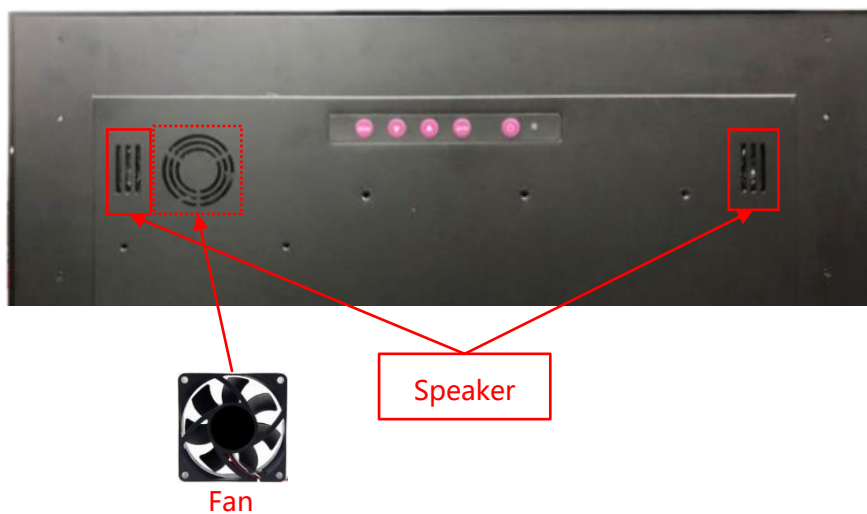
### General Options

Color of Cabinet		
	Description	Model Name
<b>Standard</b>	<b>Black</b>	<b>NTSM240XX-1B0XXXX-400</b>
Option 1	White	NTSM240XX-1W0XXXX-400
Option 2	Sliver	NTSM240XX-1S0XXXX-400
Options	Other Color	NTSM240XX-1X0XXXX-400

\* X = A~Z, 0~9 (Depends on Color)

Color of Cabinet		
	Description	Model Name
<b>Standard</b>	<b>Galvanized steel (SECC)</b>	<b>NTSM240X0-1X0SXXX-400</b>
Option 1	Stainless Steel	NTSM240X0-1X0LXXX-400
Option 2	Aluminum	NTSM240X0-1X0AXXX-400

Cooling Fan		
	Description	Model Name
<b>Standard</b>	<b>Fanless</b>	<b>NTSM240X0-1X0X0XX-400</b>
Option	7 Blades/1.4W/4000r.p.m/Max.10.25CFM/28dB	NTSM240X0-1X0XFX-400

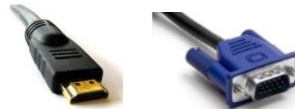


**General Options (Continued)**

Video Input		
	Connectors	Model Name
<b>Standard</b>	<b>VGA+DVI</b>	<b>NTSM240X0-1X0XX<sup>4</sup>X-400</b>
Option 1	VGA+HDMI	NTSM240X0-1X0XX <sup>2</sup> X-400
Option 2	VGA+HDMI+DP	NTSM240X0-1X0XX <sup>3</sup> X-400



Standard / VGA+DVI



Option 1 / VGA+HDMI



Option 2 / VGA+HDMI+DP

Power Input		
	Description	Model Number
<b>Standard</b>	<b>12VDC , DC Power Jack <math>\Phi</math>2.1mm</b>	<b>NTSM240X0-1X0XXX<sup>1</sup>-400</b>
Option 1	12VDC, DC Lockable Power Jack $\Phi$ 2.1mm	NTSM240X0-1X0XXX <sup>2</sup> -400
Option 2	9~36VDC, Phoenix Terminal Block	NTSM240X0-1X0XXX <sup>P</sup> -400
Option 3	100~240VAC, C14 Female Socket	NTSM240X0-1X0XXX <sup>A</sup> -400



Option 1 / Lockable Power Jack



Option 2 / Phoenix Terminal Block



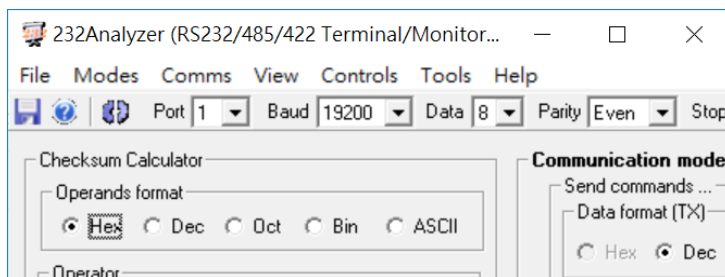
Option 3 / C14 AC Socket

**Audio System**

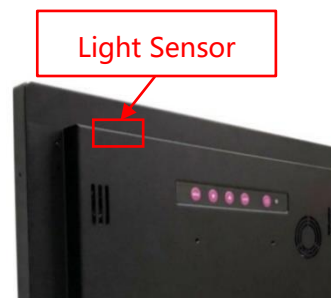
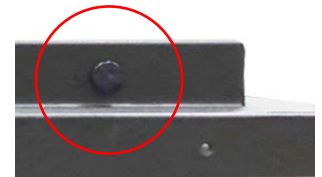
	Description	Connector
Audio Input	<b>Stereo</b>	<b>TRS Connector <math>\Phi</math>3.5mm (Earphone Jack)</b>
Speakers	<b>2W x2</b>	

## Other Options

OSD Control		
	Item	Description
<b>Standard</b>	<b>Button</b>	<b>Rear Physical Button</b>
Option 1	Software Remote Control	Software Remote Control by RS232/Serial Port
Option 2	Auto Dimming	Auto Brightness Adjusting by Built-in Light Sensor



\* Software Remote Control

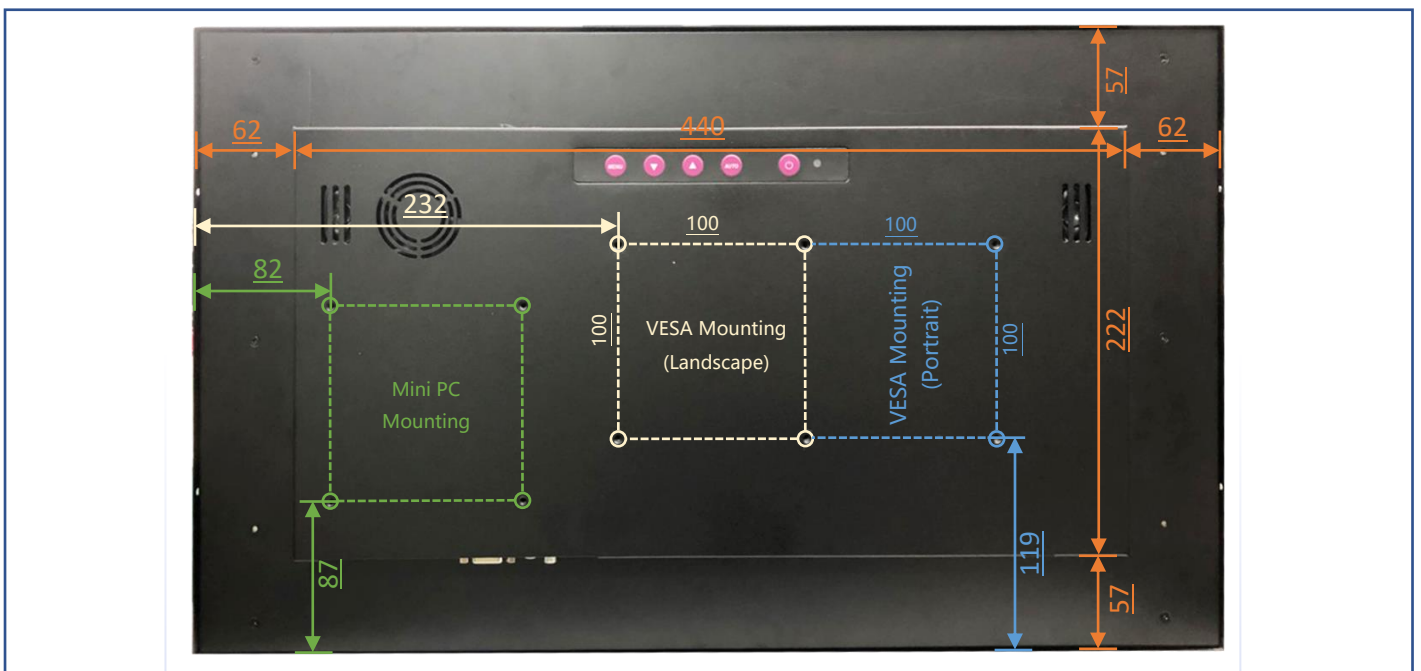
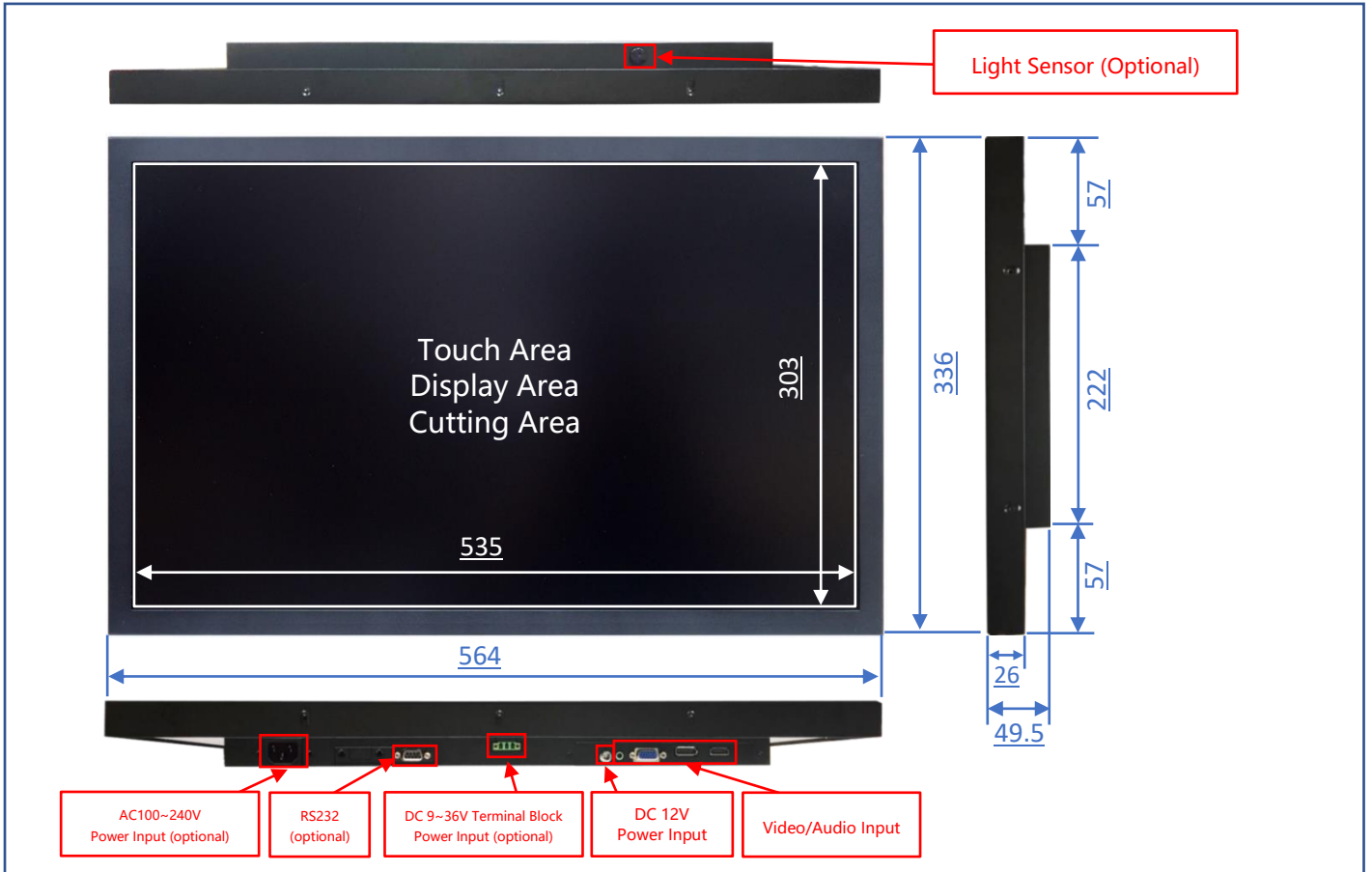


Surface Film Options	
<b>Standard</b>	<b>(none)</b>
Option	Antibacterial (AB Film)
Option	Anti-Glare (AG Film)
Option	Anti-Reflective (AR Film)
Option	Anti-Fouling/Fingerprint (AFP Film)
Option	Anti-Spy (AS Film)
Option	UV-Cut (UV Film)



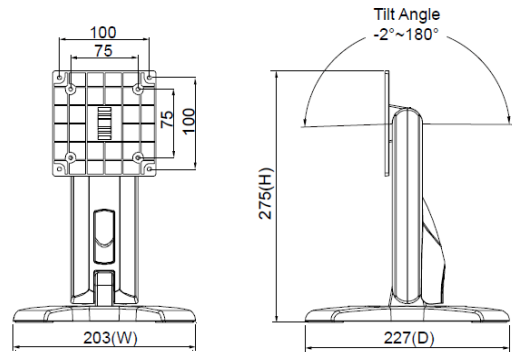
### Physical Specifications

Dimension (Max)	<b>564x336x49.5(±1)mm</b>	Net Weight	<b>≤6.8 KG</b>
VESA Mounting	<b>100x100 mm</b>	Gross Weight	<b>≤9.1 KG</b>

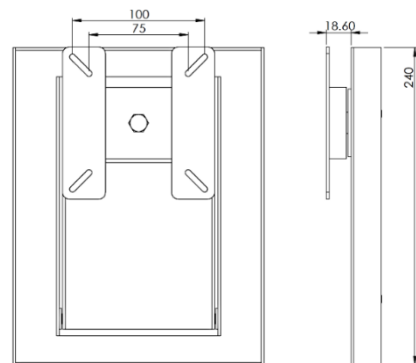


### Optional Accessories (Desktop Stand)

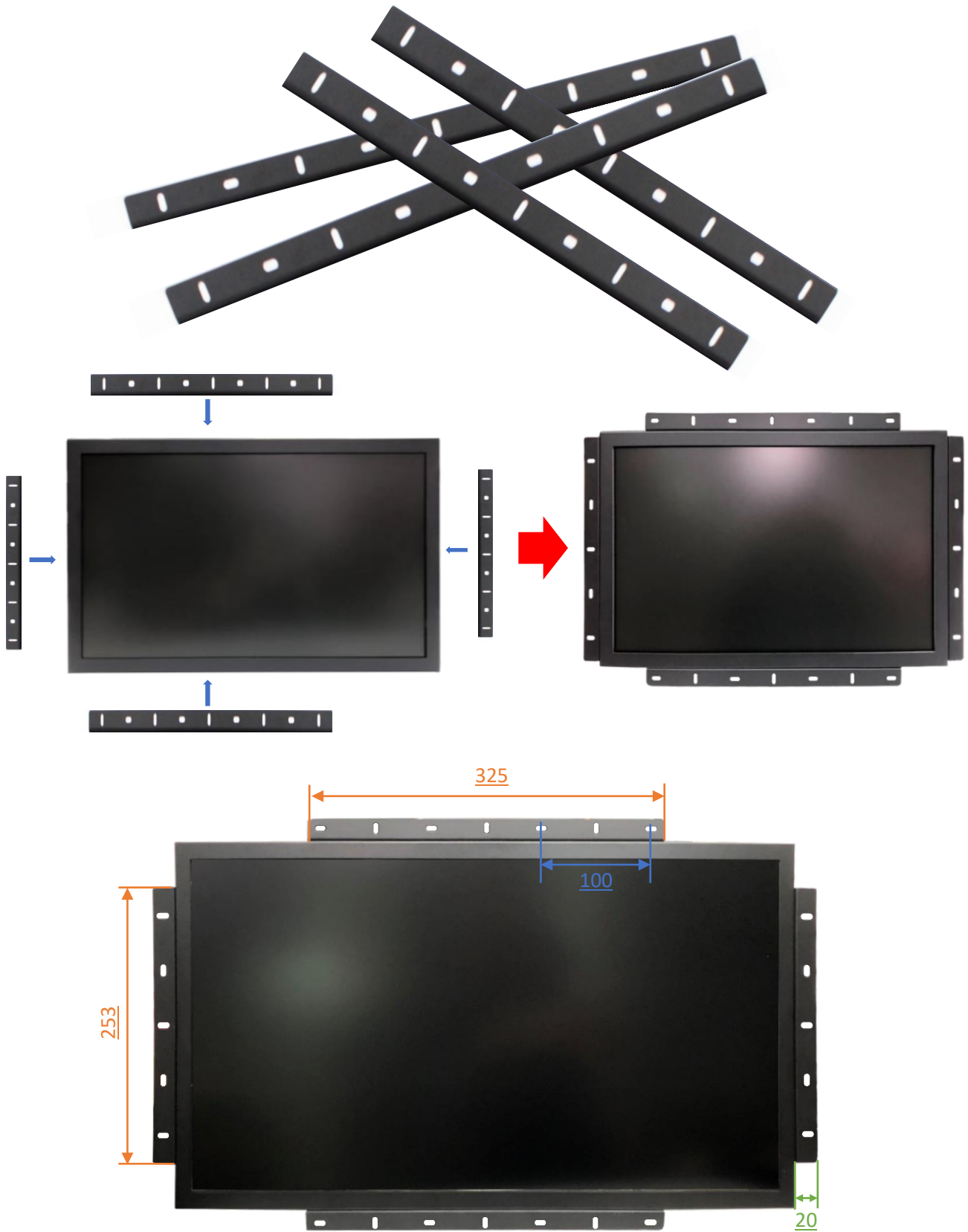
Item	B Stand	Part No.	DST-0B002/DST-1B002
Mounting Pattern	100x100 / 75x75 mm	Dimension (WxHxD)	203x275x227 mm
Material	Steel/Plastic/Aluminum	Net Weight	1.8 KG
Tile(Hinge)	-2° ~+180°	Support Max. Weight	15 KG



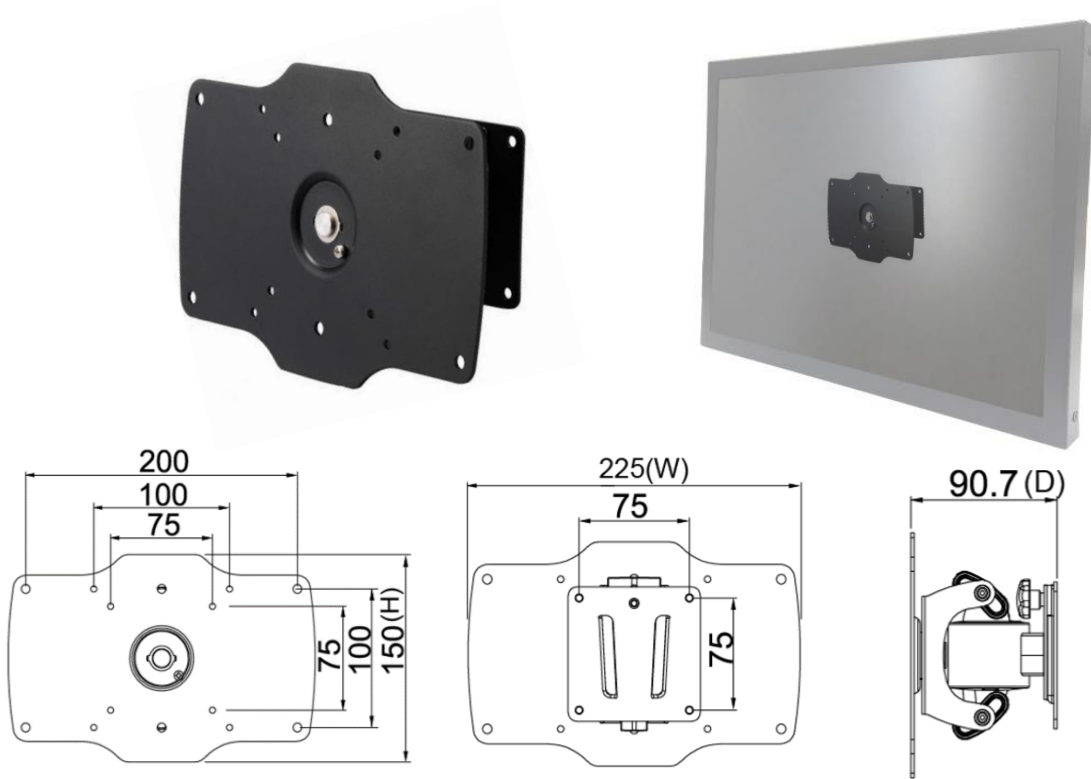
Item	Z Stand	Part No.	DST-0BZ01/DST-1BZ01
Mounting Pattern	100x100 / 75x75 mm	Dimension (WxHxD)	190x240x41.6
Material	SECC	Net Weight	2.6 KG
Tile (Hinge)	±360°	Support Max. Weight	15 KG



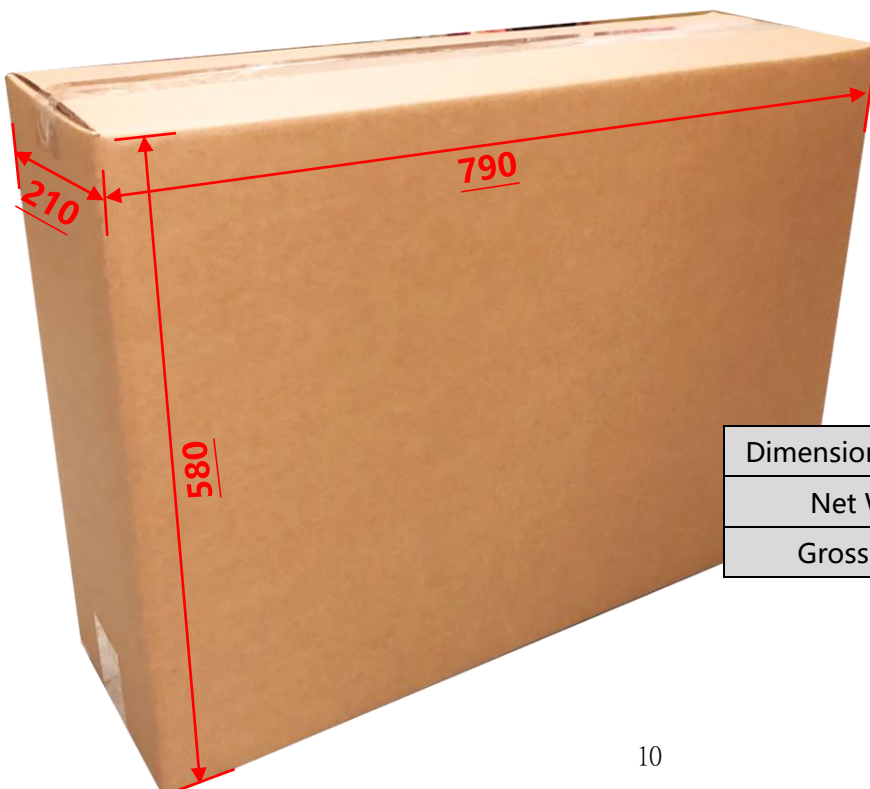
### Optional Accessories (Open-frame Brackets)



### Optional Accessories (Wall Mount Bracket)



### Packing Information



Dimensions of Carton	<b>790x580x210 mm</b>
Net Weight	<b>≤6.8 KG</b>
Gross Weight	<b>≤9.1 KG</b>

**Optional Accessories (Desktop Stand or Arm)**



- 273x180x265 mm  
 - 1.07 KG  
 - Support 12 KG



- 620x556x123 mm  
 - 3 KG  
 - Support 10 KG



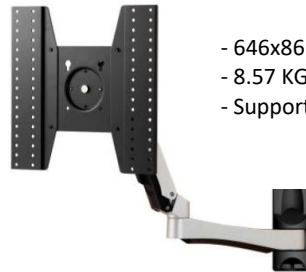
- 250x192x445 mm  
 - 1.4 KG  
 - Support 12 KG



- 655x858.5x563 mm  
 - 7.56 KG  
 - Support 30 KG



- 158x403x144 mm  
 - 2.12 KG  
 - Support 12 KG



- 646x861x953.5 mm  
 - 8.57 KG  
 - Support 30 KG



- 423x403x240 mm  
 - 1.91 KG  
 - Support 12 KG



- 1300x403x307 mm  
 - 5.3 KG  
 - Support 8 KG (2.7 KG Each)



- 715x393x144 mm  
 - 3.68 KG  
 - Support 12 KG (6 KG Each)

