



Product Specifications

Customer	
Model	NTSM240-2 V400



Records of Revision			
Vision	Modifying	Old Description	New Description
v1807.1	Preliminary Specifications		
v1807.2	Outward Dimension Revised		
v1807.3	Packing Information Revised		
v1807.4	Format Updated		
v1807.5	1. Add Antibacterial Film Option 2. Add Color Options		
v1807.6	Replace the wall mount		

Features

- ★ 24" 1920x1080(FHD) Resolution
- ★ VA mode, Wide Viewing Angle : 178°/178°
- ★ Wide Working Temperature Range : -20°~70°
- ★ Metal Cabinet with Diverse Combine Options
- ★ Made in Taiwan, 3 Years Warranty
- ★ Designed for Harsh Environments
- ★ Optional Video Input Connectors (VGA/DVI/HDMI/DP)
- ★ Optional High Brightness/Sunlight Readable
- ★ Optional 9~36VDC Power Input Options
- ★ Optional Software Remote Control by RS232
- ★ Optional Auto Dimming Function (with Light Sensor)
- ★ Optional AG/AR/AF/AS Film
- ★ **Optional Antibacterial Film Option, disinfects 99.99% of Harmful Bacteria**



Side Brackets



Desktop Stand



Wall Mounting



PSE



BSMI



FCC



CE



RoHS



ISO9001

Display Specifications

Model Name	NTSM240X0-2X0XXXX-400*	Display Mode	VA mode, Normally Black
Screen Diagonal	609.7 mm (24 inch)	Response Time	25 msec.
Display Area	531.36x298.89 mm	Backlight Unit	LED (white LED)
Resolution	1920x1080 (FHD)	Viewing Angle (L/R, U/D)	178°/178° (CR _≥ 10)
Contrast Ratio	5000:1	Backlight Lifetime	50000 HRS
Display Ratio	16:9	Operating Temp.	-20~70°C
Support Color	16.7M Colors	Storage Temp.	-30~80°C
Pixel Pitch	276.75x276.75 um	Surface Treatment	Anti-glare, Hardness 3H

* X = A~Z, 0~9 (Depends on options)

Audio System

	Description	Connector
Audio Input	Stereo	TRS Connector Φ3.5mm (Earphone Jack)
Speakers	2W x2	



Supported OS

Windows	Win10, Win8, Win7, Vista, XP, Embedded XP, Win2000, CE.NET 4.x ↑
Linux	Kernel 2.6.24 ↑
Android	3.0 ↑
Mac	10.5.x ↑ (Intel CPU)

General Options

Brightness			
	Brightness	Environment	Model Name
Standard	300nits	General (Indoor Environment)	NTSM240<u>N</u>0-2X0XXXX-400
Option 1	1000nits	Outdoor Environment	NTSM240 <u>A</u> 0-2X0XXXX-400
Option 2	1500nits	Sunlight Readable	NTSM240 <u>F</u> 0-2X0XXXX-400

Video Input		
	Connectors	Model Name
Standard	VGA+DVI	NTSM240X0-2X0XX<u>1</u>X-400
Option 1	VGA+HDMI	NTSM240X0-2X0XX <u>2</u> X-400
Option 2	VGA+HDMI+DP	NTSM240X0-2X0XX <u>3</u> X-400



Standard / VGA+DVI



Option 1 / VGA+HDMI



Option 2 / VGA+HDMI+DP

Power Input		
	Description	Model Number
Standard	12VDC , DC Power Jack Φ2.1mm	NTSM240X0-2X0XXX<u>1</u>-400
Option 1	12VDC, DC Lockable Power Jack Φ 2.1mm	NTSM240X0-2X0XXX <u>2</u> -400
Option 2	9~36VDC, Phoenix Terminal Block	NTSM240X0-2X0XXX <u>P</u> -400
Option 3	100~240VAC, C14 Female Socket	NTSM240X0-2X0XXX <u>A</u> -400



Option 1 / Lockable Power Jack



Option 2 / Phoenix Terminal Block



Option 3 / C14 AC Socket

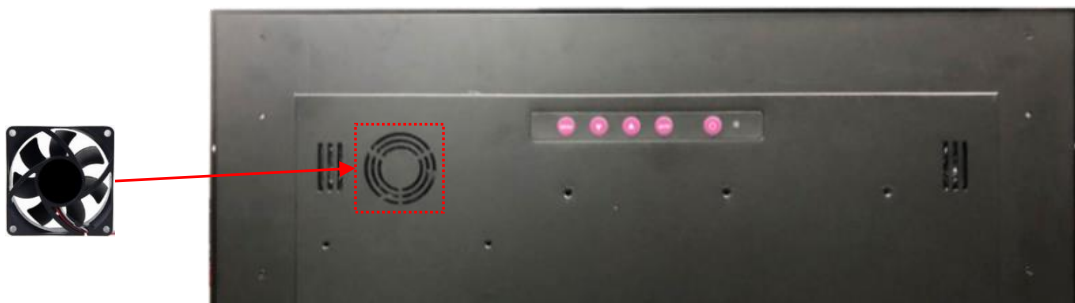
General Options (Continued)

Material of Cabinet		
	Description	Model Name
Standard	Galvanized steel (SECC)	NTSM240X0-2X0SXXX-400
Option 1	Stainless Steel	NTSM240X0-2X0LXXX-400
Option 2	Aluminum	NTSM240X0-2X0AXXX-400

Color of Cabinet		
	Description	Model Name
Standard	Black	NTSM240XX-2BXXXXX-400
Option 1	White	NTSM240XX-2WXXXXX-400
Option 2	Sliver	NTSM240XX-2SXXXXX-400
Options	Other Color	NTSM240XX-2XXXXXX-400

* X = A~Z, 0~9 (Depends on Color)

Cooling Fan		
	Description	Model Number
Standard	Fanless	NTSM240X0-2X0X0XX-400
Option	7 Blades/1.4W/4000r.p.m/Max.10.25CFM/28dB	NTSM240X0-2X0XFX-400

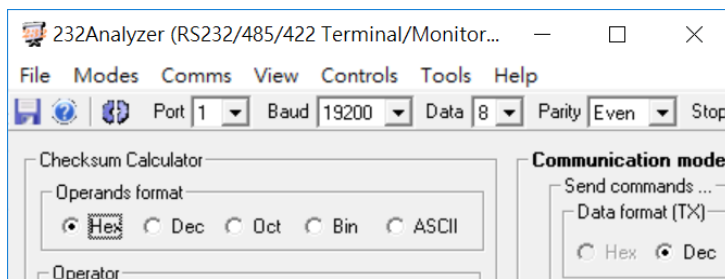


Surface Film Options	
Standard	(none)
Option	Antibacterial (AB Film)
Option	Anti-Glare (AG Film)
Option	Anti-Reflective (AR Film)
Option	Anti-Fouling/Fingerprint (AFP Film)
Option	Anti-Spy (AS Film)
Option	UV-Cut (UV Film)

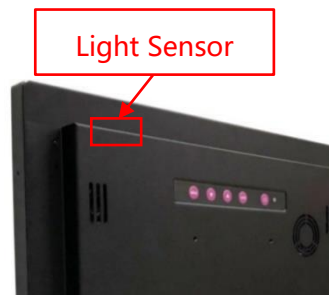
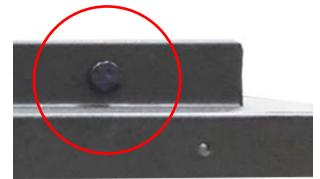


General Options (Continued)

OSD Control		
	Item	Description
Standard	Button	Rear Physical Button
Option 1	Software Remote Control	Software Remote Control by RS232/Serial Port
Option 2	Auto Dimming	Auto Brightness Adjusting by Built-in Light Sensor



* Software Remote Control

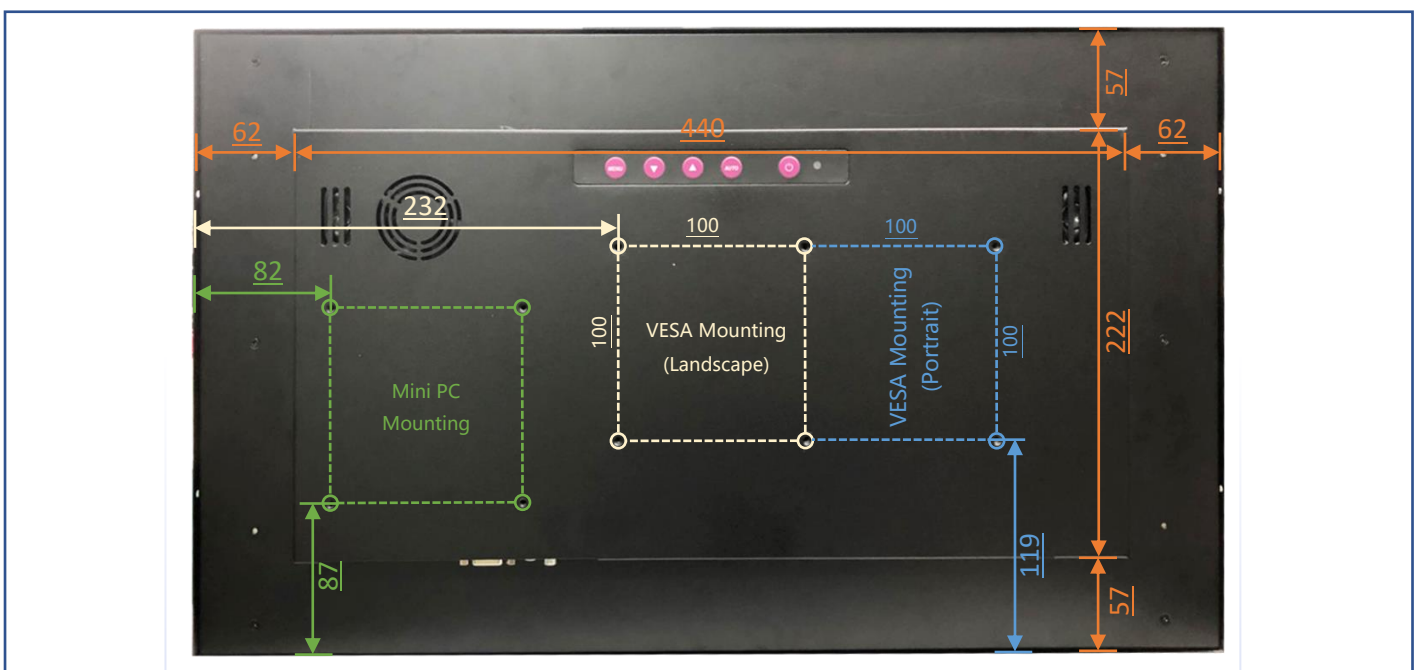
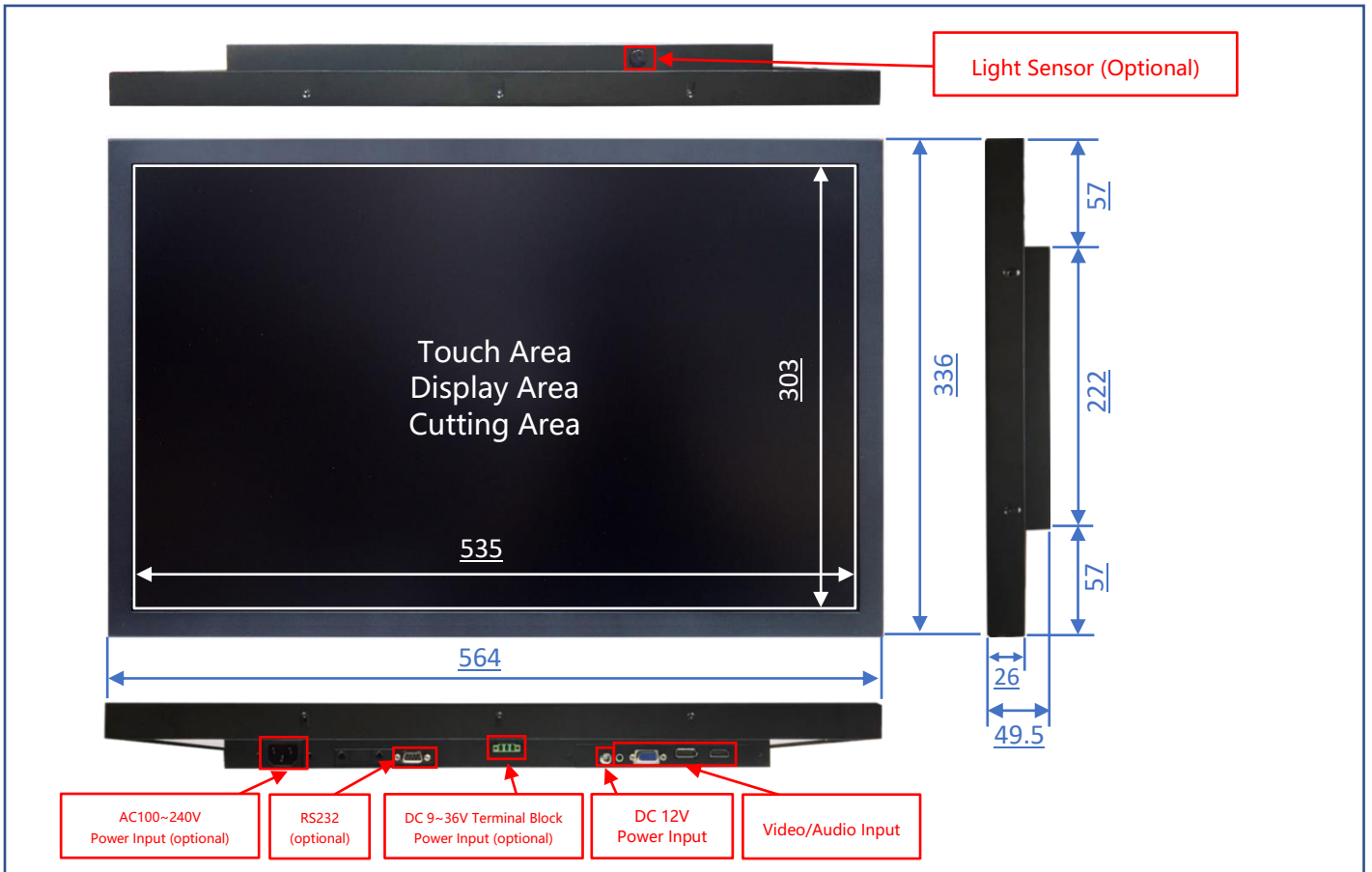


Accessories

Item	Description	Quantity
VGA Cable	D-Sub 15Pin Male to Male, 1.2 Meter	1
Audio cable	3.5mm Headset Jack, Male to Male, 1.2 Meter	1
AC-DC Adapter	4.16A/12V with CE/FCC/CCC/UL/RoHS/PSE/JET Certification	1
Power cord	*Country Specific	1

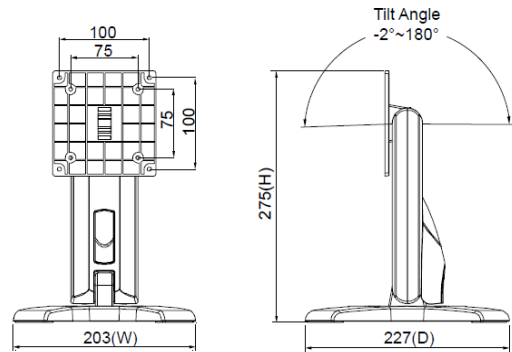
Physical Specifications

Dimension (Max)	564x336x49.5(±1)mm	Net Weight	≤6.8 KG
VESA Mounting	100x100 mm	Gross Weight	≤9.1 KG

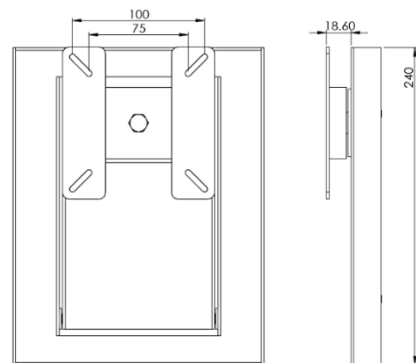


Optional Accessories (Desktop Stand)

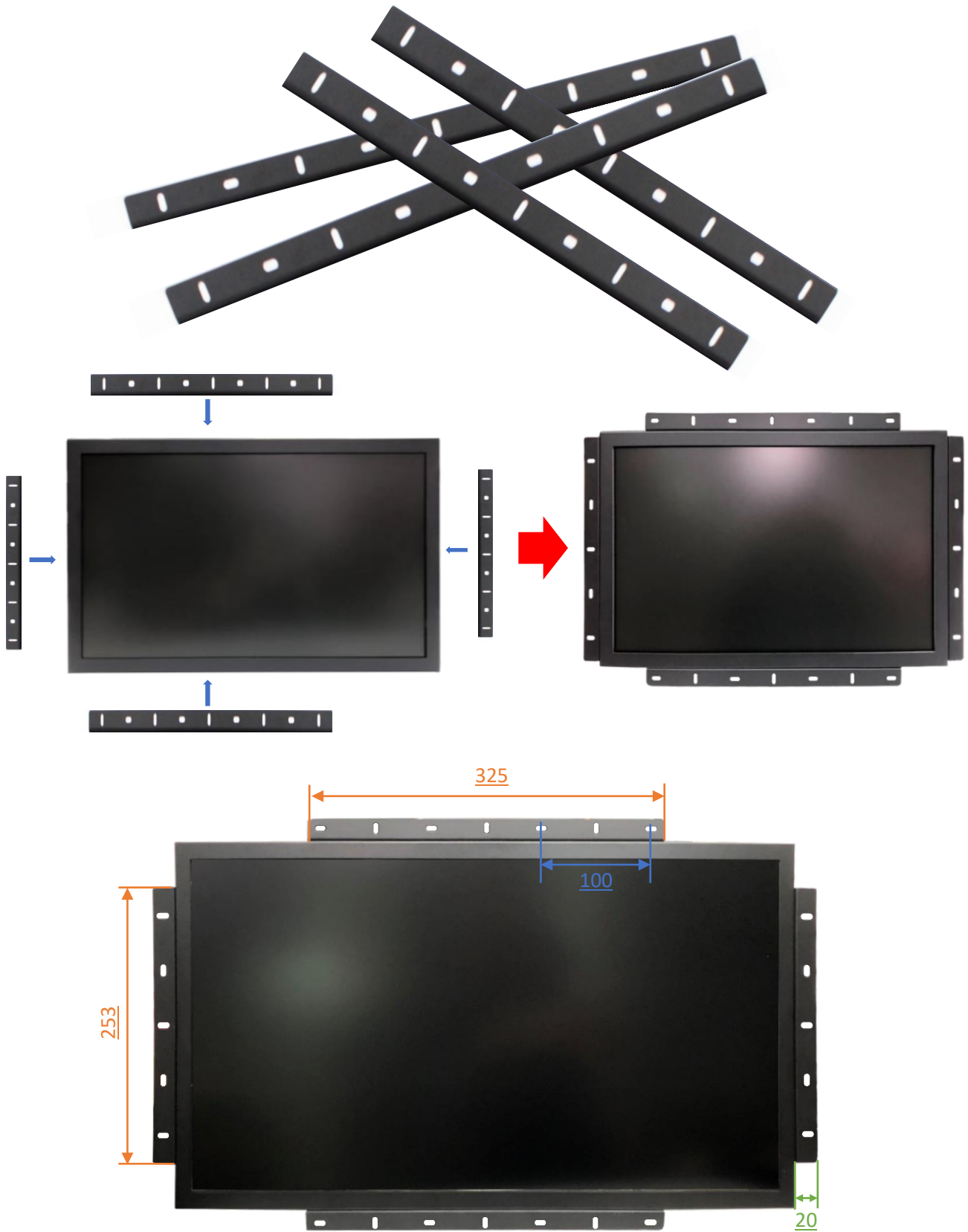
Item	B Stand	Part No.	DST-0B002/DST-1B002
Mounting Pattern	100x100 / 75x75 mm	Dimension (WxHxD)	203x275x227 mm
Material	Steel/Plastic/Aluminum	Net Weight	1.8 KG
Tile(Hinge)	-2° ~+180°	Support Max. Weight	15 KG



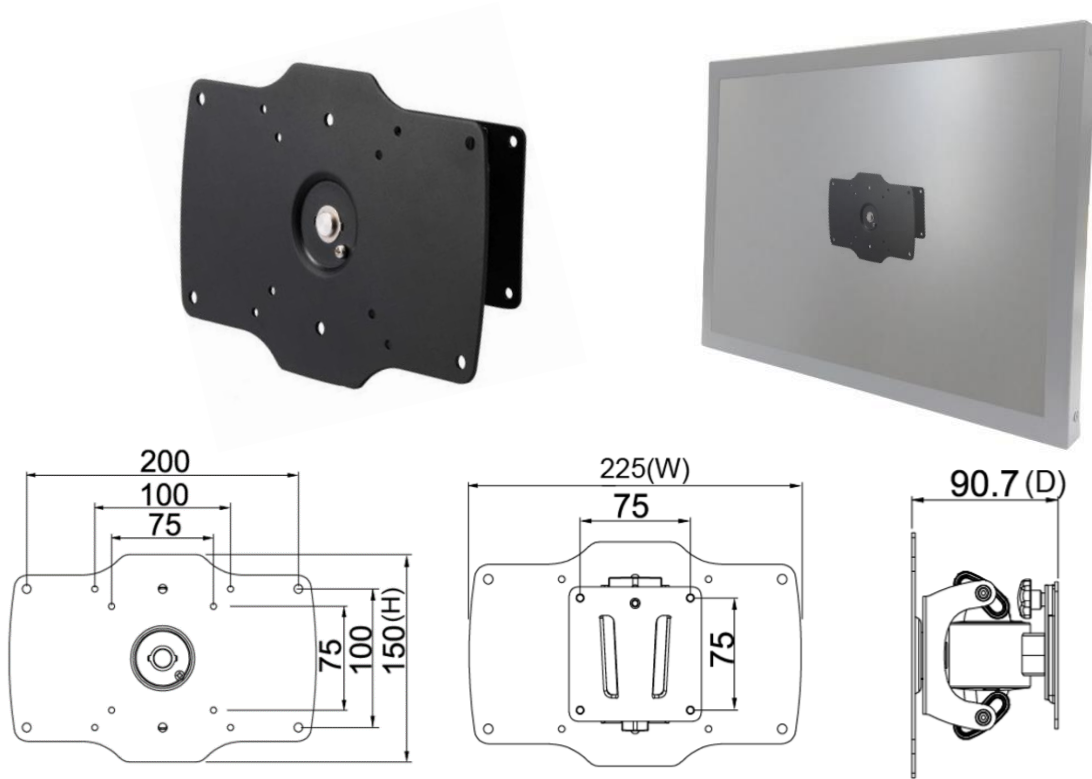
Item	Z Stand	Part No.	DST-0BZ01/DST-1BZ01
Mounting Pattern	100x100 / 75x75 mm	Dimension (WxHxD)	190x240x41.6
Material	SECC	Net Weight	2.6 KG
Tile (Hinge)	±360°	Support Max. Weight	15 KG



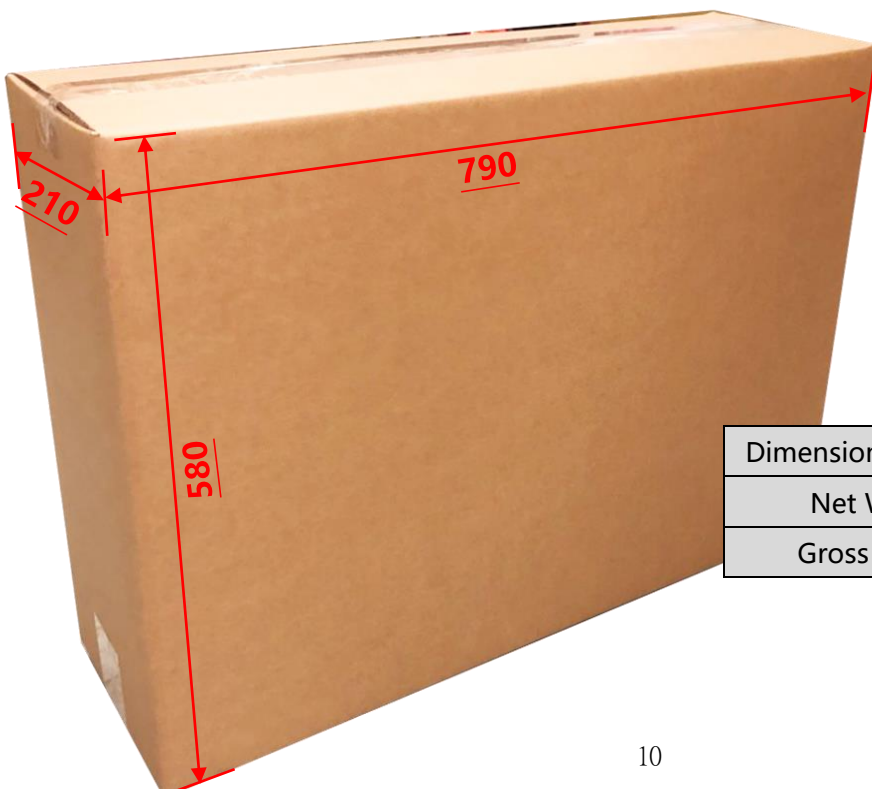
Optional Accessories (Open-frame Brackets)



Optional Accessories (Wall Mount Bracket)



Packing Information



Dimensions of Carton	790x580x210 mm
Net Weight	≤6.8 KG
Gross Weight	≤9.1 KG

Optional Accessories (Desktop Stand or Arm)



- 273x180x265 mm
 - 1.07 KG
 - Support 12 KG



- 620x556x123 mm
 - 3 KG
 - Support 10 KG



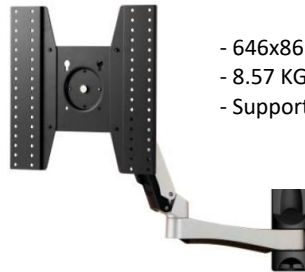
- 250x192x445 mm
 - 1.4 KG
 - Support 12 KG



- 655x858.5x563 mm
 - 7.56 KG
 - Support 30 KG



- 158x403x144 mm
 - 2.12 KG
 - Support 12 KG



- 646x861x953.5 mm
 - 8.57 KG
 - Support 30 KG



- 423x403x240 mm
 - 1.91 KG
 - Support 12 KG



- 1300x403x307 mm
 - 5.3 KG
 - Support 8 KG (2.7 KG Each)



- 715x393x144 mm
 - 3.68 KG
 - Support 12 KG (6 KG Each)

