



Product Specifications

Customer	
Model	NTSM270 V400



Records of Revision			
Vision	Modifying	Old Description	New Description
v1907.1	Preliminary Specifications		
v1907.2	Format Updated		
v1907.3	1. Add Antibacterial Film Option 2. Add Color Options		

Features

- ★ 27" 1920x1080(FHD) Resolution
- ★ Wide Viewing Angle (178°/178°)
- ★ Metal Cabinet with Diverse Combine Options
- ★ Made in Taiwan, 3 Years Warranty
- ★ Designed for Harsh Environments
- ★ Optional Video Input Connectors (VGA/DVI/HDMI/DP)
- ★ Optional High Brightness/Sunlight Readable
- ★ Optional 9~36VDC Power Input Options
- ★ Optional Software Remote Control by RS232
- ★ Optional Auto Dimming Function (with Light Sensor)
- ★ Optional AG/AR/AF/AS Film
- ★ **Optional Antibacterial Film Option, disinfects 99.99% of Harmful Bacteria**



Side Brackets



Desktop Stand



Wall Mounting



PSE



BSMI



FCC



CE



RoHS



ISO9001

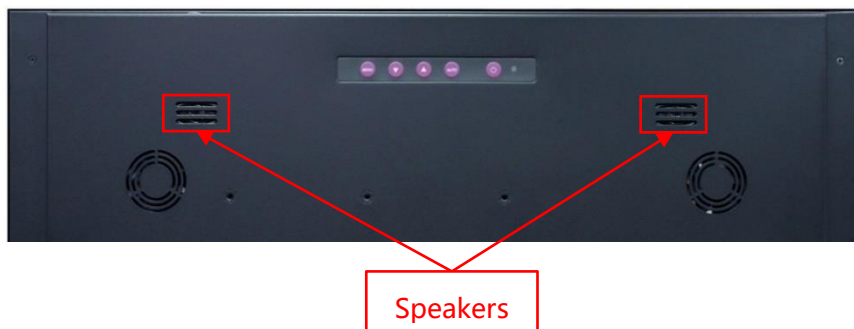
Display Specifications

Model Name	NTSM270X0-1X0XXXX-400*	Display Mode	VA Mode, Normally Black
Screen Diagonal	685.65 mm (27 inch)	Response Time	12 msec.
Display Area	597.6x336.2 mm	Backlight Unit	LED (white LED)
Resolution	1920x1080 (FHD)	Viewing Angle (L/R, U/D)	178/178°
Contrast Ratio	3000:1	Backlight Lifetime	30000 HRS
Display Ratio	16:9	Operating Temp.	0~50°C
Support Color	16.7M Colors	Storage Temp.	-20~60°C
Pixel Pitch	311.25x311.25 um	Surface Treatment	Anti-glare, Hardness 3H

* X = A~Z, 0~9 (Depends on options)

Audio System

	Description	Connector
Audio Input	Stereo	TRS Connector Φ3.5mm (Earphone Jack)
Speakers	2W x2	



Supported OS

Windows	Win10, Win8, Win7, Vista, XP, Embedded XP, Win2000, CE.NET 4.x ↑
Linux	Kernel 2.6.24 ↑
Android	3.0 ↑
Mac	10.5.x ↑ (Intel CPU)

General Options

Brightness			
	Brightness	Environment	Model Name
Standard	300nits	General (Indoor Environment)	NTSM270 <u>N</u> 0-1X0XXXX-400
Option	1000nits	Outdoor Environment	NTSM270 <u>A</u> 0-1X0XXXX-400

Video Input		
	Connectors	Model Name
Standard	VGA+DVI	NTSM270X0-1X0XX <u>1</u> X-400
Option 1	VGA+HDMI	NTSM270X0-1X0XX <u>2</u> X-400
Option 2	VGA+HDMI+DP	NTSM270X0-1X0XX <u>3</u> X-400



Standard / VGA+DVI



Option 1 / VGA+HDMI



Option 2 / VGA+HDMI+DP

Power Input		
	Description	Model Number
Standard	12VDC , DC Power Jack Φ 2.1mm	NTSM270X0-1X0XXX <u>1</u> -400
Option 1	12VDC, DC Lockable Power Jack Φ 2.1mm	NTSM270X0-1X0XXX <u>2</u> -400
Option 2	9~36VDC, Phoenix Terminal Block	NTSM270X0-1X0XXX <u>P</u> -400
Option 3	100~240VAC, C14 Female Socket	NTSM270X0-1X0XXX <u>A</u> -400



Option 1 / Lockable Power Jack



Option 2 / Phoenix Terminal Block



Option 3 / C14 AC Socket

General Options (Continued)

Material of Cabinet		
	Description	Model Name
Standard	Galvanized steel (SECC)	NTSM270X0-1X0SXXX-400
Option 1	Stainless Steel	NTSM270X0-1X0LXXX-400
Option 2	Aluminum	NTSM270X0-1X0AXXX-400

Color of Cabinet		
	Description	Model Name
Standard	Black	NTSM270XX-1BXXXXXX-400
Option 1	White	NTSM270XX-1WXXXXXX-400
Option 2	Sliver	NTSM270XX-1SXXXXXX-400
Options	Other Color	NTSM270XX-1XXXXXX-400

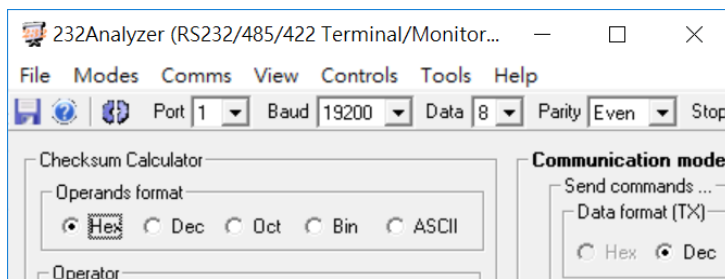
* X = A~Z, 0~9 (Depends on Color)

Cooling Fan		
	Description	Model Number
Standard	Fanless	NTSM270X0-1X0X0XX-400
Option	7 Blades/1.4W/4000r.p.m/Max.10.25CFM/28dB (Built in dual Fan)	NTSM270X0-1X0XFXX-400



General Options (Continued)

OSD Control		
	Item	Description
Standard	Button	Rear Physical Button
Option 1	Software Remote Control	Software Remote Control by RS232/Serial Port
Option 2	Auto Dimming	Auto Brightness Adjusting by Built-in Light Sensor



* Software Remote Control



Surface Film Options	
Standard	(none)
Option	Antibacterial (AB Film)
Option	Anti-Glare (AG Film)
Option	Anti-Reflective (AR Film)
Option	Anti-Fouling/Fingerprint (AFP Film)
Option	Anti-Spy (AS Film)
Option	UV-Cut (UV Film)

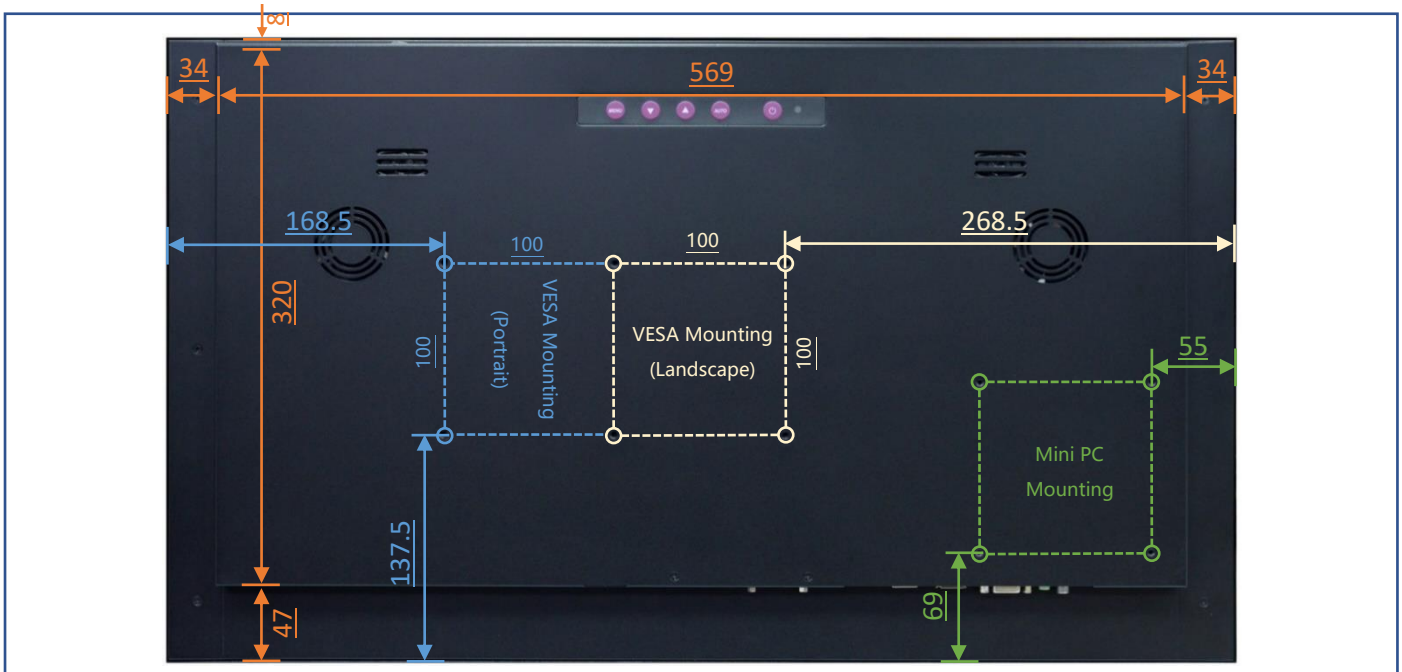
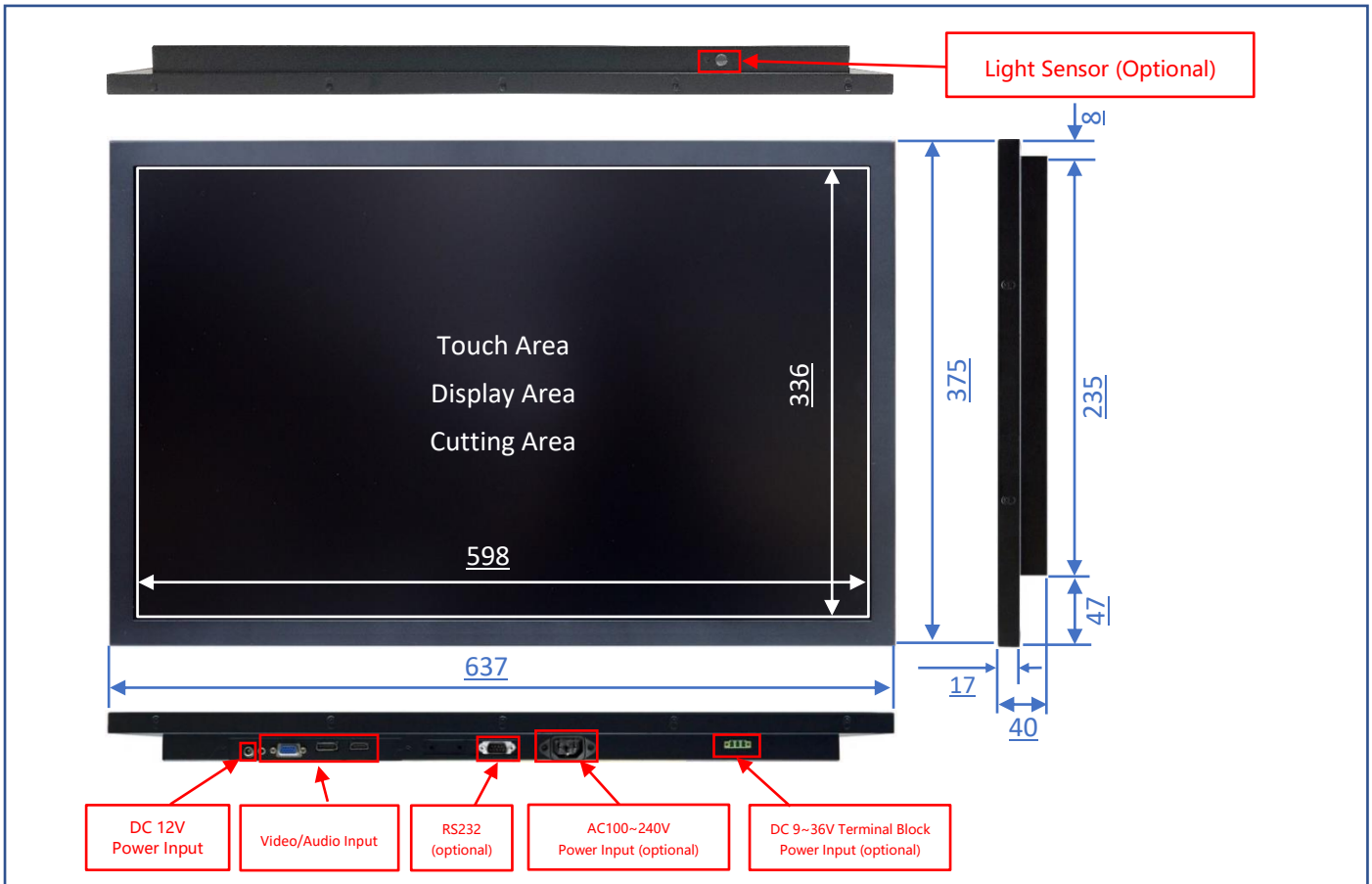


Accessories

Item	Description	Quantity
VGA Cable	D-Sub 15Pin Male to Male, 1.2 Meter	1
Audio cable	3.5mm Headset Jack, Male to Male , 1.2 Meter	1
AC-DC Adapter	4.16A/12V with CE/FCC/CCC/UL/RoHS/PSE/JET certification	1
Power cord	*Country Specific	1

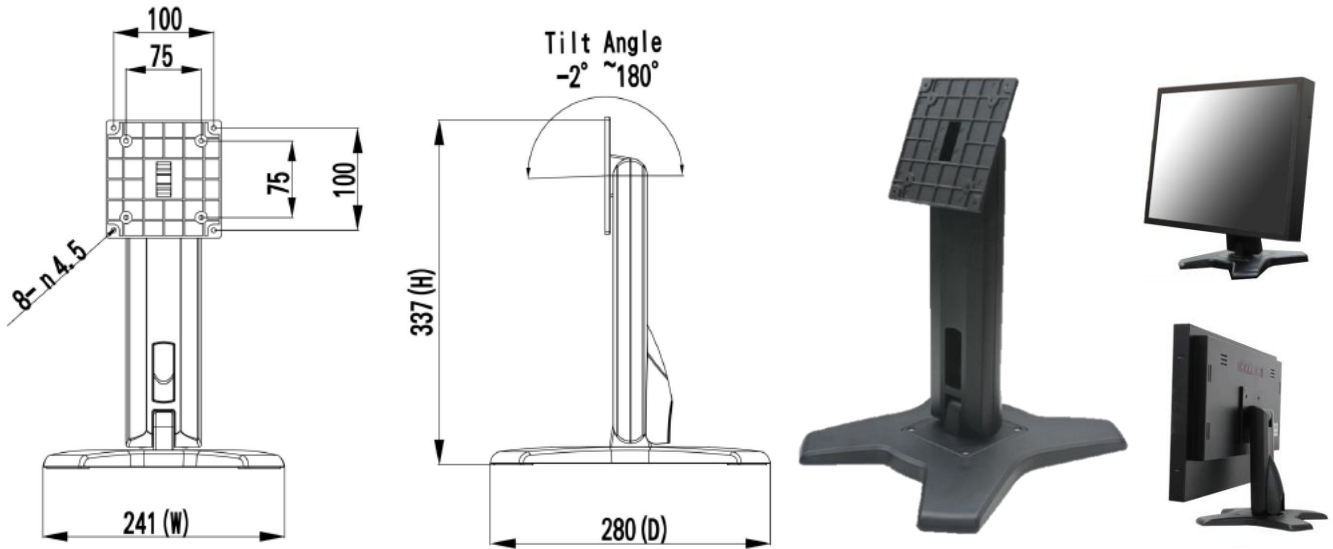
Physical Specifications

Dimension (Max)	637x375x40(±1)mm	Net Weight	≈6.9 KG
VESA Mounting	100x100 mm	Gross Weight	≈9.2 KG



Optional Accessories (Desktop Stand)

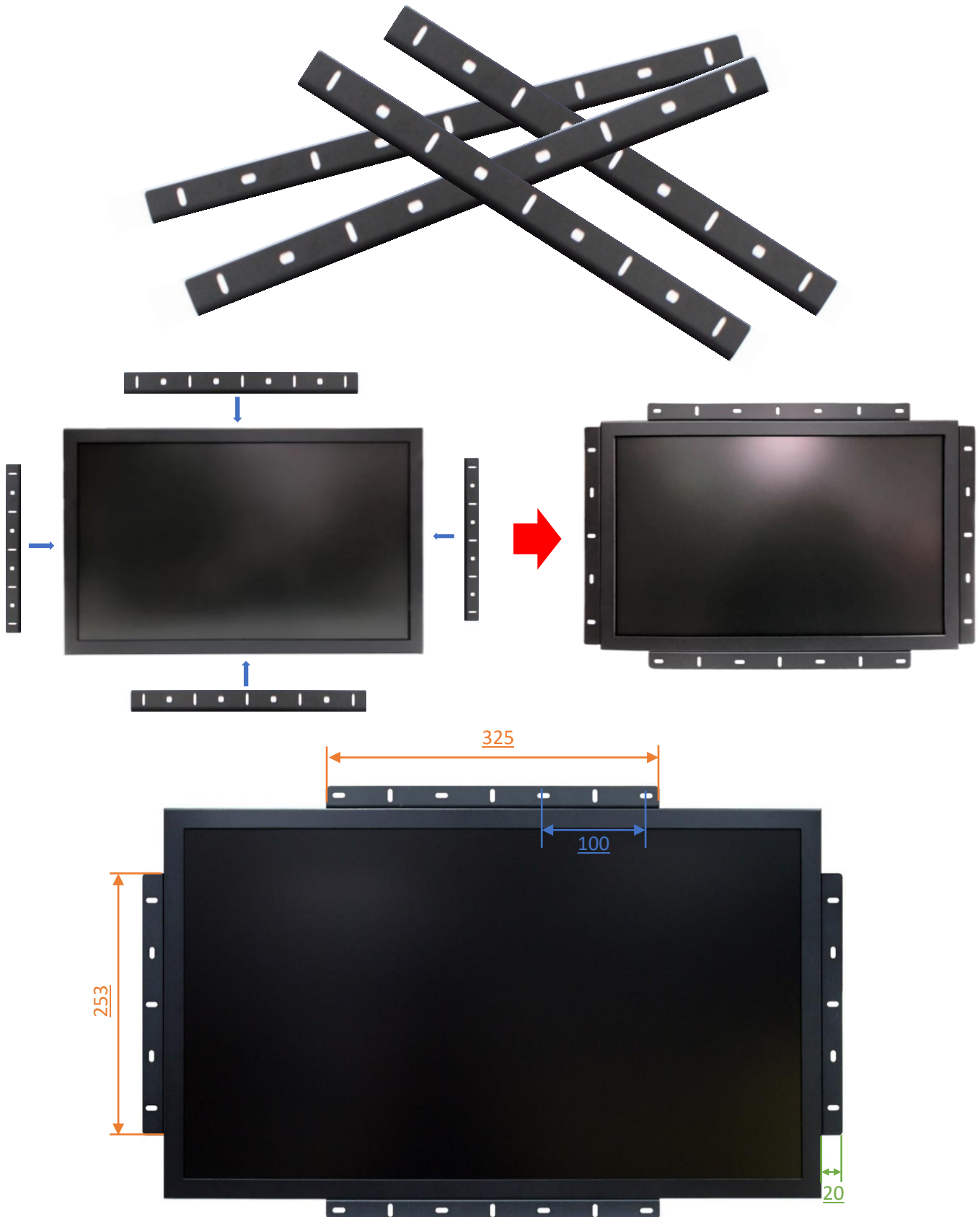
Item	B Stand	Part No.	DST-0B003/DST-1B003
Mounting Pattern	100x100 / 75x75 mm	Dimension (W/H/D)	241x275x337 mm
Material	Steel/Plastic/Aluminum	Net Weight	2.0 KG
Tile (Hinge)	-2° ~+180°	Support Max. Weight	20 KG



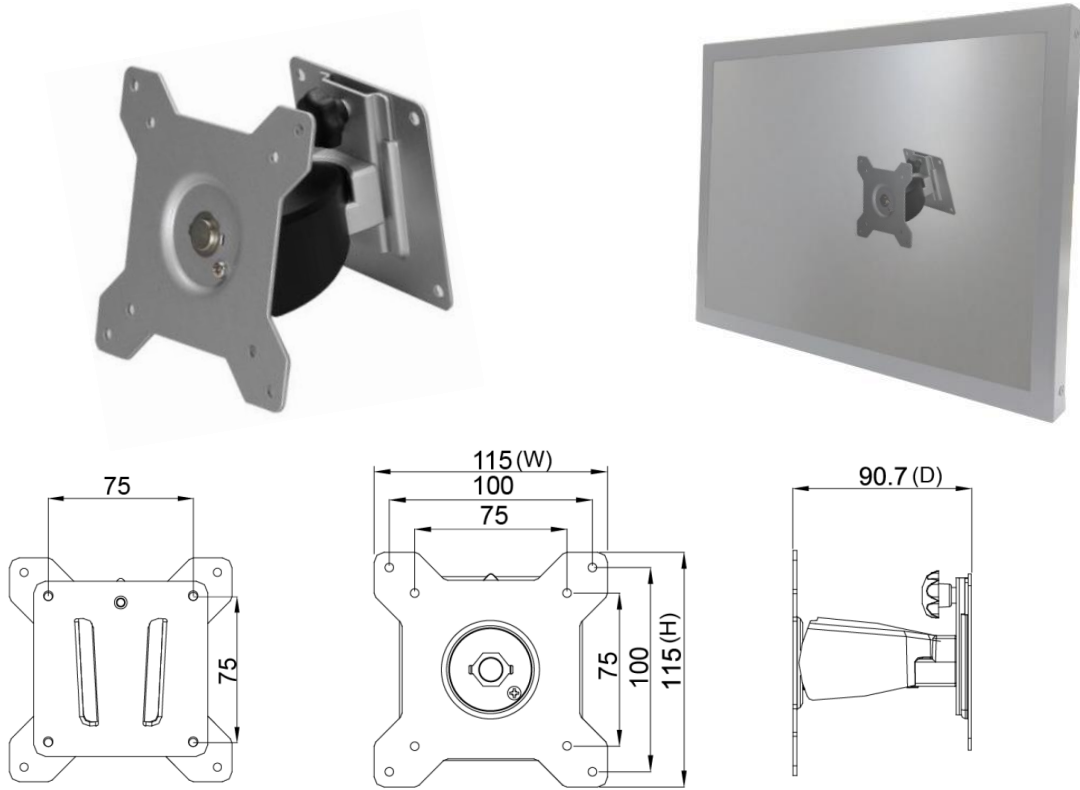
Item	Z Stand	Part No.	DST-0BZ01/DST-1BZ01
Mounting Pattern	100x100 / 75x75 mm	Dimension (WxHxD)	190x240x41.6
Material	SECC	Net Weight	2.6 KG
Tile (Hinge)	±360°	Support Max. Weight	15 KG



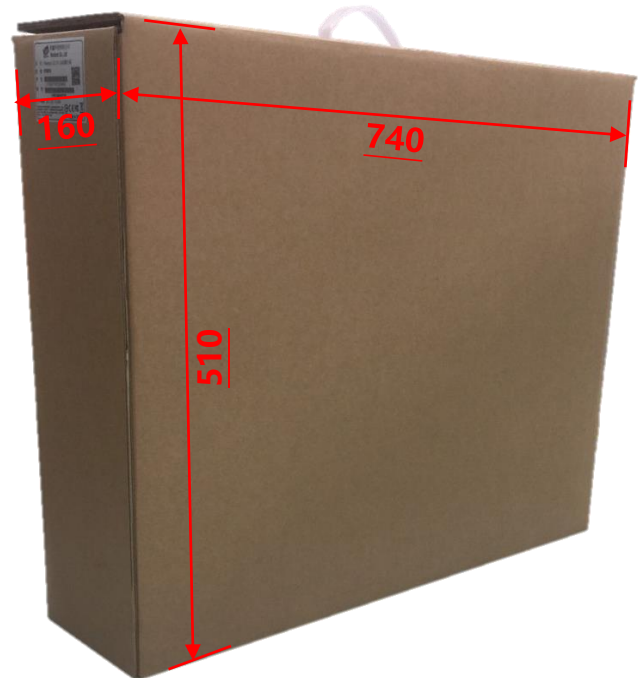
Optional Accessories (Open-frame Brackets)



Optional Accessories (Wall Mount Bracket)



Packing Information



Dimensions of Carton	740x510x160 mm
Net Weight	≤6.9 KG
Gross Weight	≤9.2 KG

Optional Accessories (Desktop Stand or Arm)



- 273x180x265 mm
 - 1.07 KG
 - Support 12 KG



- 620x556x123 mm
 - 3 KG
 - Support 10 KG



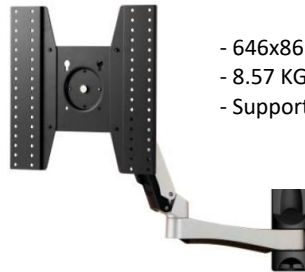
- 250x192x445 mm
 - 1.4 KG
 - Support 12 KG



- 655x858.5x563 mm
 - 7.56 KG
 - Support 30 KG



- 158x403x144 mm
 - 2.12 KG
 - Support 12 KG



- 646x861x953.5 mm
 - 8.57 KG
 - Support 30 KG



- 423x403x240 mm
 - 1.91 KG
 - Support 12 KG



- 1300x403x307 mm
 - 5.3 KG
 - Support 8 KG (2.7 KG Each)



- 715x393x144 mm
 - 3.68 KG
 - Support 12 KG (6 KG Each)

