

# Product Specifications

<b>Customer</b>	
<b>Model</b>	<b>NTSP101 V100</b>



Records of Revision			
Vision	Modifying	Old Description	New Description
V2003.1	Official Release		
<b>V2003.2</b>	<b>Add the L stand option</b>		

## Features

- ★ 10.1 inch, 16:10 ,1280x800 (WXGA) Resolution
- ★ AHVA Wide Viewing Angle Technology (178°/178°)
- ★ Operating Temperature Range -20~60°C
- ★ True Flat Projected Capacitive Touch Screen
- ★ 7H Hardness Tempered Cover Glass
- ★ 10 points Multi-touch , Supports Active Stylus
- ★ Narrow Border Metal Cabinet with Diverse Combine Options
- ★ Made in Taiwan, 3 Years Warranty
- ★ Designed for Harsh Environments
- ★ Optional Auto Dimming Function (with Light Sensor)
- ★ Optional AG/AR/AF/AS Film
- ★ **Optional Antibacterial Film Option, disinfects 99.99% of Harmful Bacteria**



PSE



BSMI



FCC



CE



RoHS



ISO9001

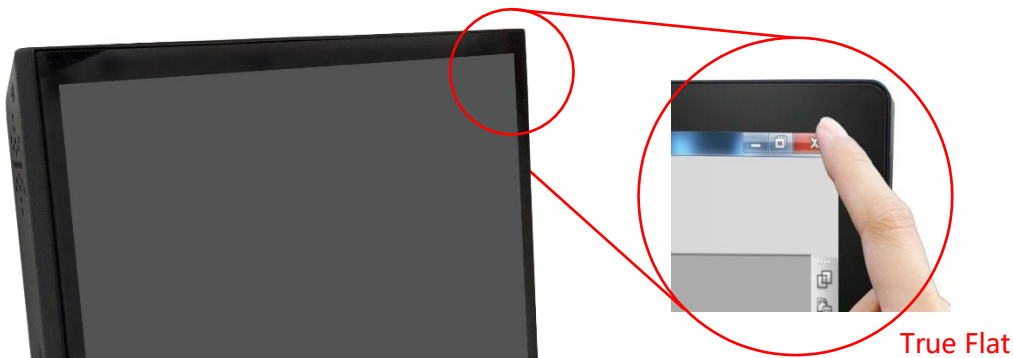
## Display Specifications

Model Name	<b>NTSP101NPS21-XXXXU0-100*</b>	Display Mode	<b>AHVA Type, Normally Black</b>
Screen Diagonal	<b>10.1 inch</b>	Response Time	<b>29 msec. (Typ.)</b>
Display Area	<b>216.96x135.6 mm</b>	Backlight Unit	<b>LED (white LED)</b>
Resolution	<b>1280x800</b>	Viewing Angle (L/R, U/D)	<b>178°/178°</b>
Contrast Ratio	<b>800:1</b>	Backlight Lifetime	<b>30000 Hours</b>
Display Ratio	<b>16:10</b>	Operating Temp.	<b>-20~60°C</b>
Support Color	<b>16.7M Colors</b>	Storage Temp.	<b>-20~60°C</b>
Pixel Pitch	<b>0.1695x0.1695 mm</b>	Surface Treatment	<b>Hard Coating</b>
Brightness	<b>400nits</b>		

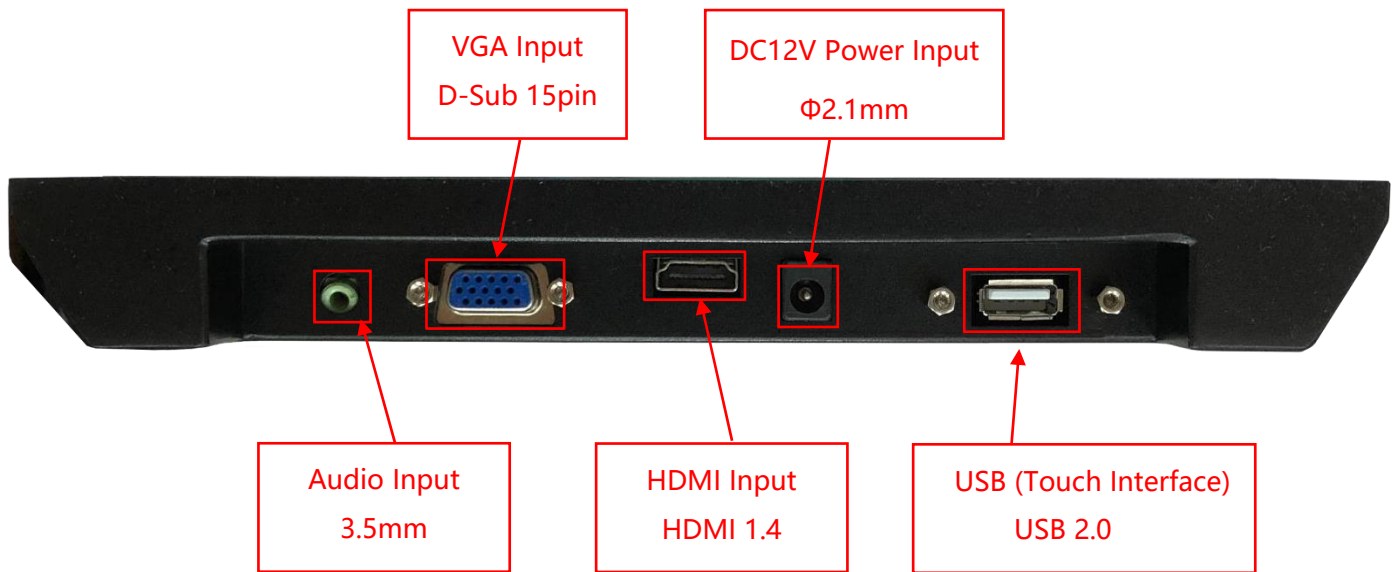
\* X = A~Z, 0~9(Depends on options)

## Touch Specifications

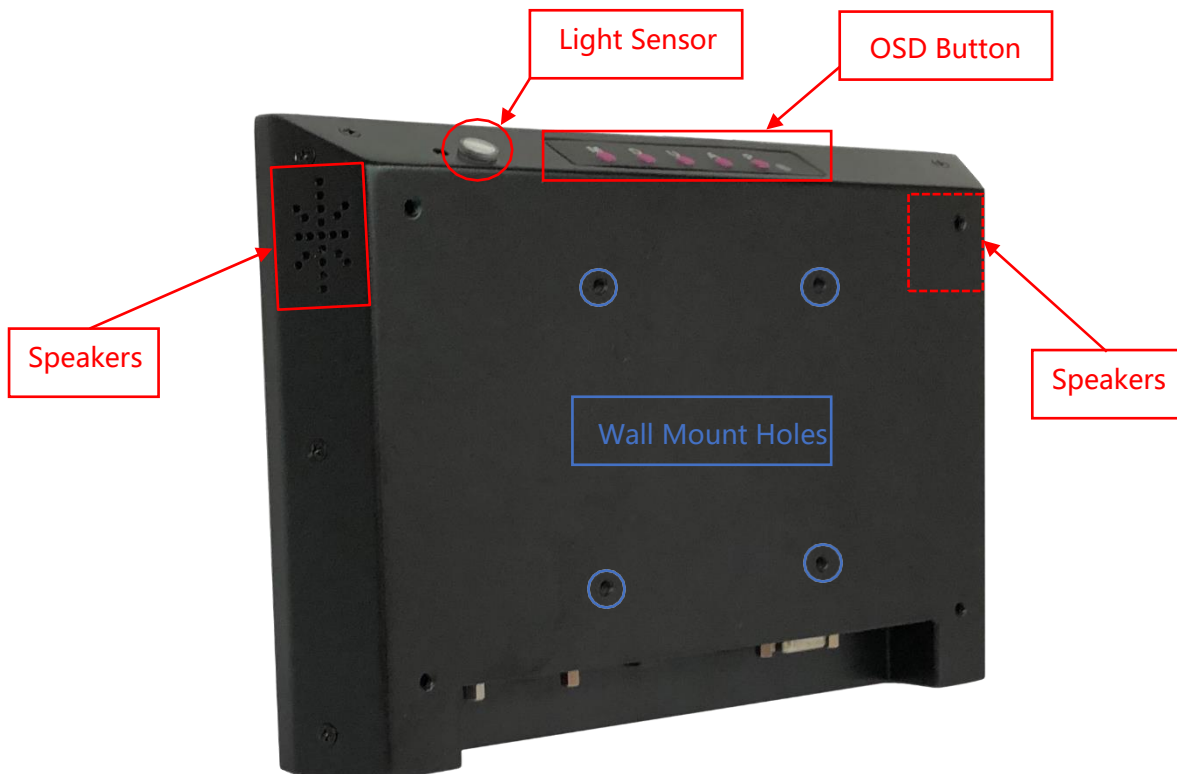
Touch Technology	<b>Projected Capacitive</b>	Transparency	<b>≥86%</b>
Allowed Touch Points	<b>10 points</b>	Accuracy	<b>99.00%</b>
Interface	<b>USB</b>	Thickness of Cover Lens	<b>1.1±0.2mm</b>
Hardness of Cover Lens	<b>7H</b>	IK Ratings	<b>IK07</b>



## Input /Output System



Input / Output	Connectors	Input / Output	Connectors
HDMI	1	USB 2.0	1
VGA	1	DC Power Input	1
Audio Out (3.5mm)	1	Speakers	1W x2





## General Options

Surface Film Options		
	Description	Model Number
<b>Standard</b>	<b>(none)</b>	<b>NTSP101NPS21-<u>00</u>XXU0-100</b>
Option	Antibacterial (AB Film)	NTSP101NPS21- <u>AB</u> XXU0-100
Option	Anti-Glare +UV-Cut (AG+UV Film)	NTSP101NPS21- <u>GU</u> XXU0-100
Option	Anti-Glare +Fouling/Fingerprint (AG+AFP Film)	NTSP101NPS21- <u>GP</u> XXU0-100
Option	Anti-Reflective +Fouling/Fingerprint (AR+AFP Film)	NTSP101NPS21- <u>RP</u> XXU0-100
Option	Anti-Glare +Reflective +Fouling/Fingerprint (AG+AR+AFP Film)	NTSP101NPS21- <u>GR</u> XXU0-100
Option	Anti-Spy (AS Film)	NTSP101NPS21- <u>SF</u> XXU0-100

Color of Cabinet		
	Description	Model Number
<b>Standard</b>	<b>Black</b>	<b>NTSP101NPS21-XX<u>B</u>XU0-100</b>
Option 1	White	NTSP101NPS21-XX <u>W</u> XU0-100
Option 2	Sliver	NTSP101NPS21-XX <u>S</u> XU0-100
Options	Other Color	NTSP101NPS21-XX <u>X</u> XU0-100

\* X = A~Z, 0~9(Depends on Color)

Material of Cabinet		
	Description	Model Number
<b>Standard</b>	<b>Galvanized steel (SECC)</b>	<b>NTSP101NPS21-XXX<u>S</u>U0-100</b>
Option 1	Stainless Steel	NTSP101NPS21-XXX <u>L</u> U0-100
Option 2	Aluminum	NTSP101NPS21-XXX <u>A</u> U0-100

## Supported OS


Windows	<b>Win7, Win8, Win10 ↑</b>
Linux	<b>Kernel 2.6.24 ↑</b>
Android	<b>3.0 ↑</b>
Mac	<b>10.5.x ↑ (Intel CPU)</b>

## Accessories

Item	Description	Quantity
HDMI Cable	HDMI 1.4 Male to Male, 1.2 Meter	1
AC/DC Adapter	4.16A/12V with CE/FCC/CCC/UL/RoHS/PSE/JET Certification	1
Power cord	*Country Specific	1
USB Cable	A type, Male to Male, 1.5 Meter *(only for touch monitor)	1

## Accessories Options

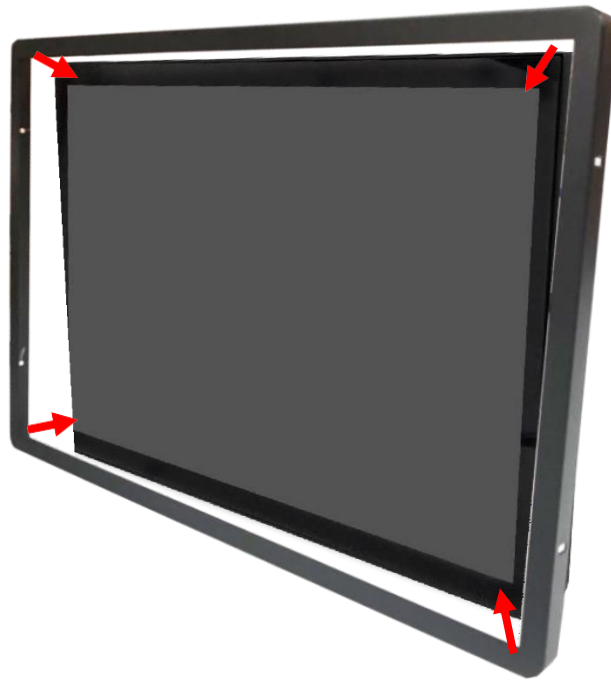
Active Stylus Option	
Technology	Active Capacitive Coupled
Working Frequencies	90~250 KHZ
Pressure Level	256~1024 Levels
Side Buttons	2 Side Buttons (Eraser, Barrel)
Active Tip Force	5~25g
Max. Tip Force	400g



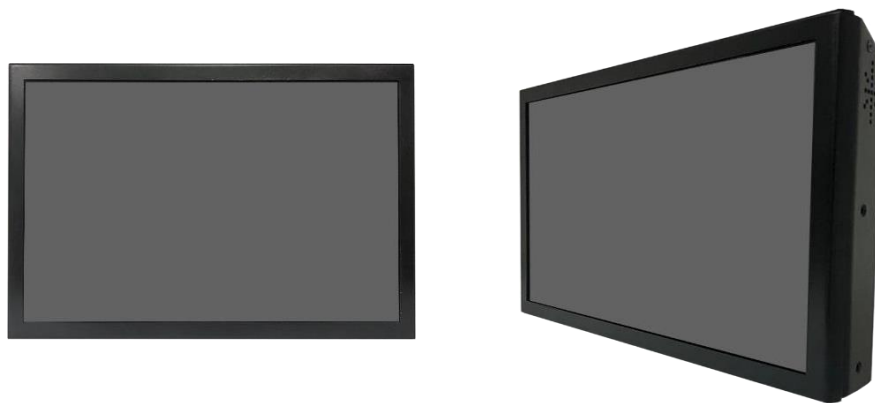
## Light Sensor



## Optional Accessories (Front Cover)



The standard **NTSP101** is true flat surface, with only 1mm metal bezel  
To protect the corners of the touch screen, the **Front Cover** can be added.

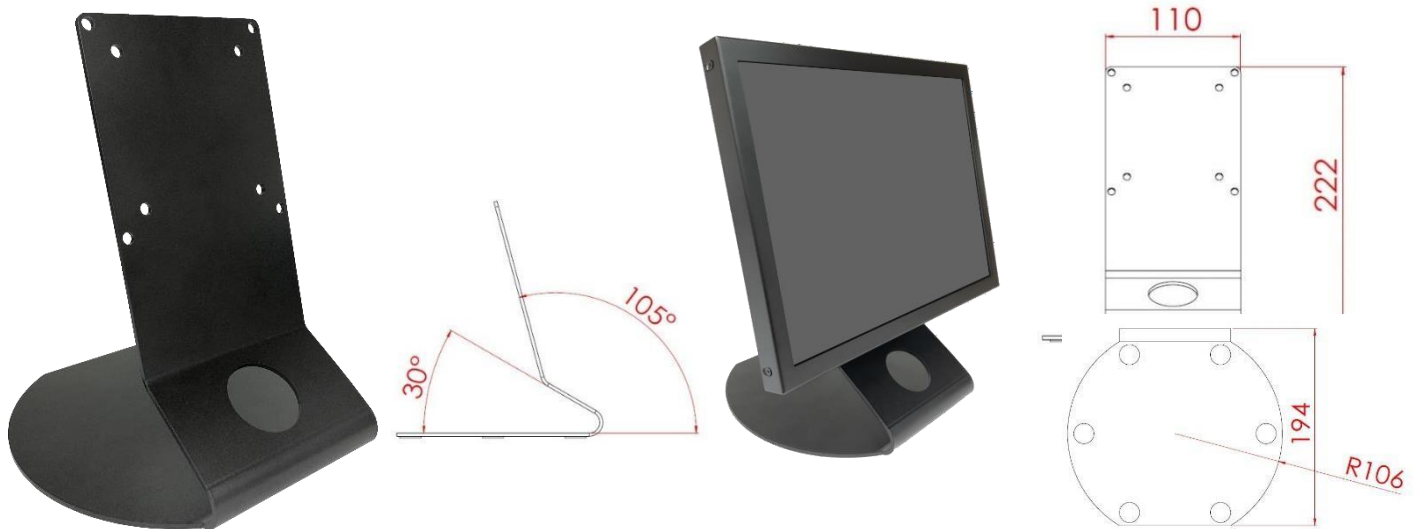


The watertight gasket can be added between the **Front Cover** and **NTSP101**. It complies IP65 on front.

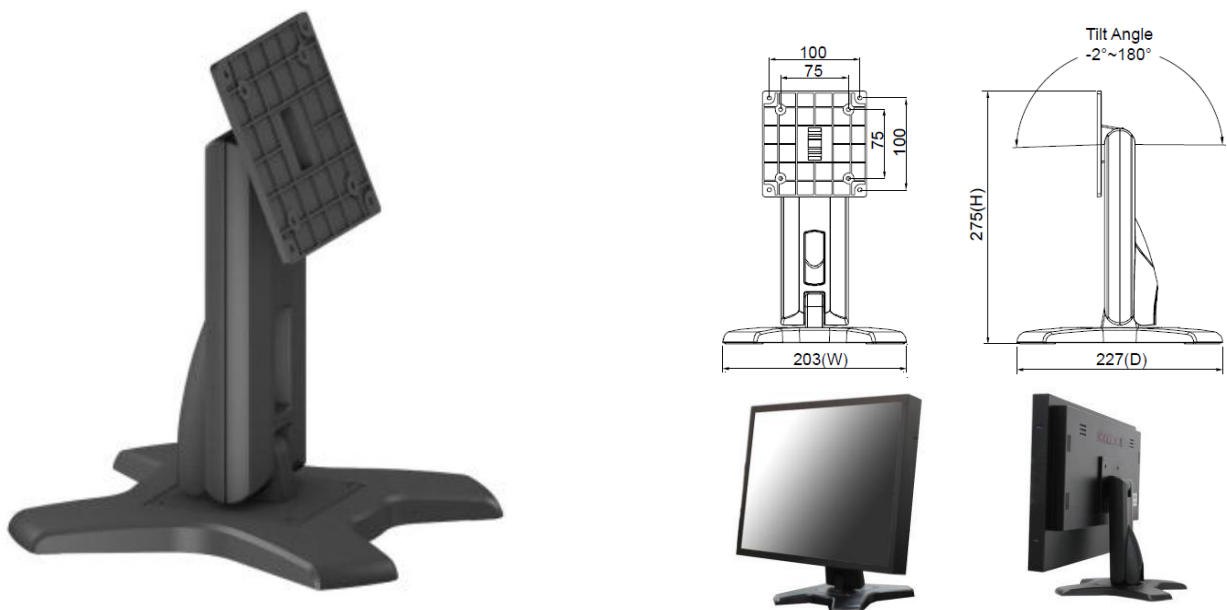


## Optional Accessories (Desktop Stand)

Item	L Stand	Part No.	DST-0B004/DST-1B004
Mounting Pattern	100x100 / 75x75 mm	Dimension (WxHxD)	194x194x222 mm
Material	SECC	Net Weight	1.4 KG
Tilt (Hinge)	105°	Support Max. Weight	15 KG

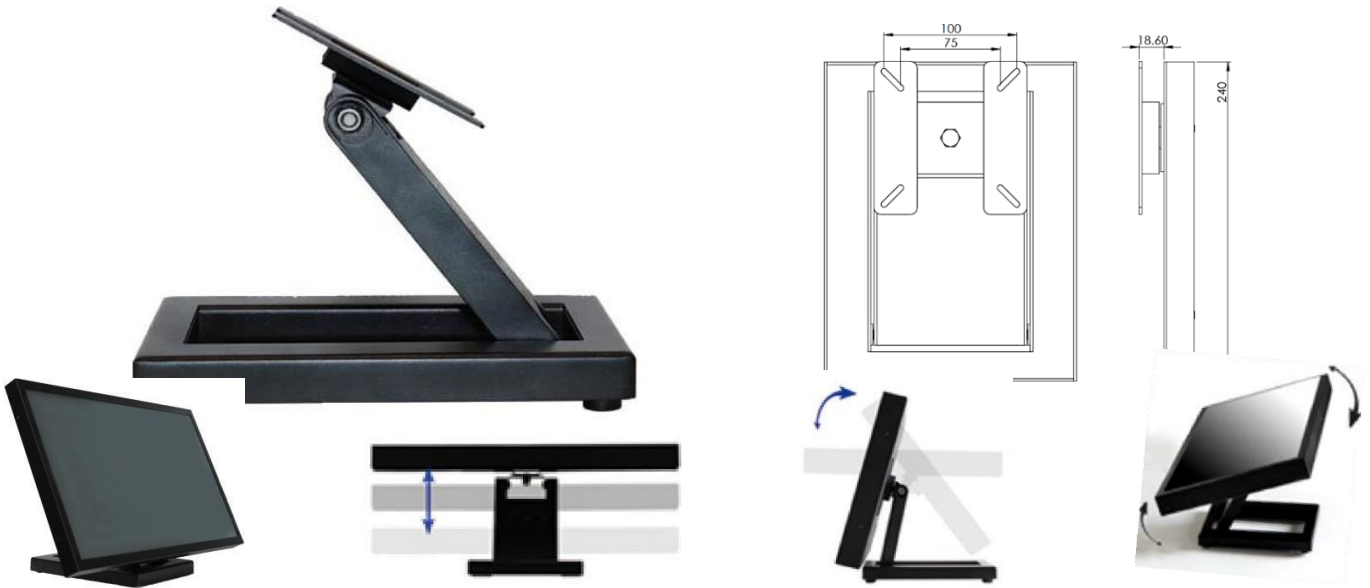


Item	B Stand	Part No.	DST-0B002/DST-1B002
Mounting Pattern	100x100 / 75x75 mm	Dimension (WxHxD)	203x275x227 mm
Material	Steel/Plastic/Aluminum	Net Weight	1.8 KG
Tilt (Hinge)	-2° ~ +180°	Support Max. Weight	15 KG

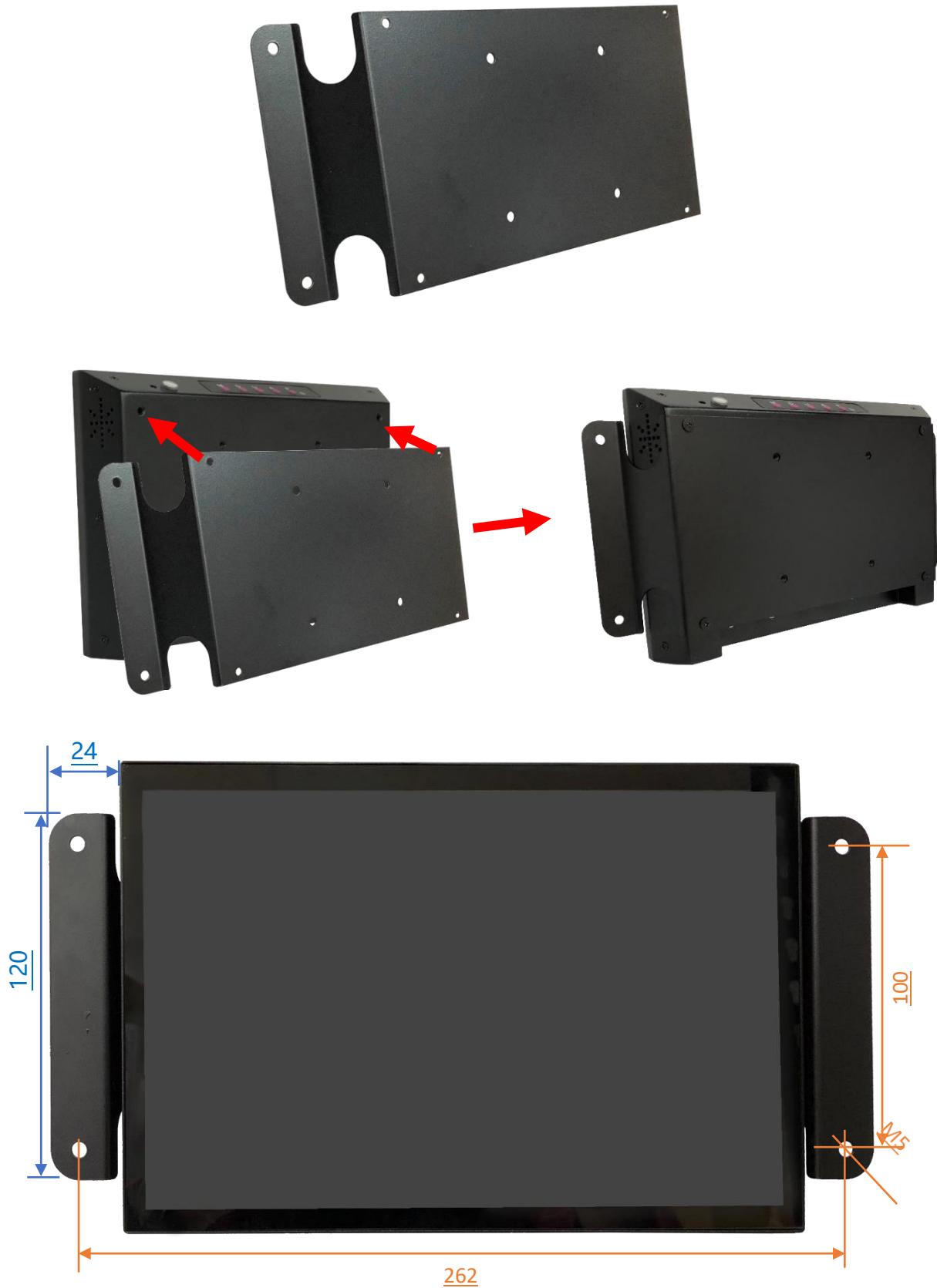


## Optional Accessories (Desktop Stand)

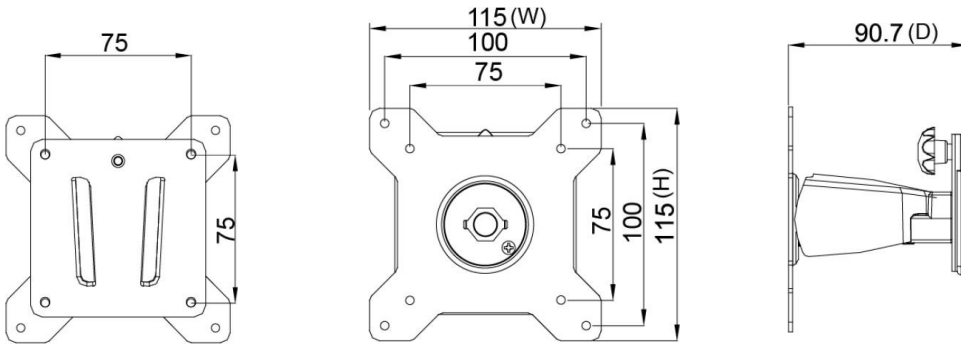
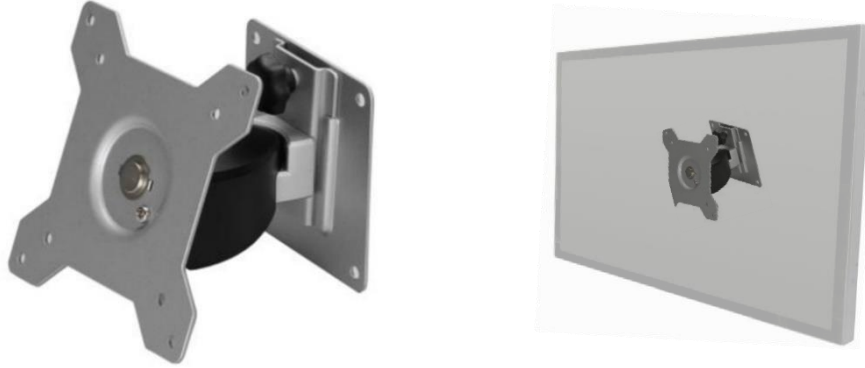
Item	Z Stand	Part No.	DST-0BZ01/DST-1BZ01
Mounting Pattern	100x100 / 75x75 mm	Dimension (WxHxD)	190x240x41.6
Material	SECC	Net Weight	2.6 KG
Tile (Hinge)	±360°	Support Max. Weight	15 KG



### Optional Accessories (Open-frame Brackets)



## Optional Accessories (Wall Mount Bracket)



## Packing Information



Dimensions of Carton	<b>390x320x90 mm</b>
Net Weight	<b>1.1 KG</b>
Gross Weight	<b>2.2 KG</b>

## Physical Specifications

Dimension (Max)	<b>233x155x29(±1)mm</b>	Net Weight	<b>≤1.1 KG</b>
VESA Mounting	<b>75x75 mm</b>	Gross Weight	<b>≤2.2 KG</b>

