



Product Specifications

Customer	
Model	NTSP121 V300



Records of Revision			
Vision	Modifying	Old Description	New Description
v1711.1	Preliminary Specifications		
v1711.2	Reformat		
v1711.3	1. Modification of Packing 2. Add Antibacterial Film Option 3. Add Color Options		

Features

- ★ 12.1" , 1024x768 (XGA) Resolution
- ★ Wide Operating Temperature (-30~70°C)
- ★ Viewing Angle 178°/178°
- ★ True Flat Projected Capacitive Touch Screen
- ★ 7H Hardness Tempered Cover Glass
- ★ 10 points Multi-touch , Supports Active Stylus
- ★ Metal Cabinet with Diverse Combine Options
- ★ Made in Taiwan, 3 Years Warranty
- ★ Designed for Harsh Environments
- ★ Optional High Brightness/Sunlight Readable
- ★ Optional Video Input (VGA/DVI/HDMI/DP)
- ★ Optional AG/AR/AF Film
- ★ **Optional Antibacterial Film Option, disinfects 99.99% of Harmful Bacteria**



Side Brackets



Desktop Stand



Wall Mounting



PSE



BSMI



FCC



CE



RoHS



ISO9001

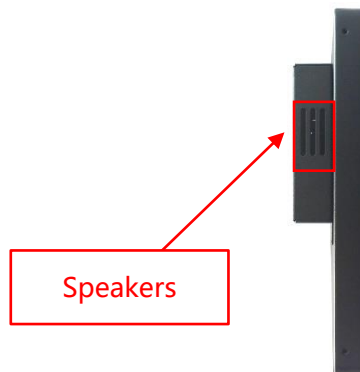
Display Specifications

Model Name	NTSP121 <u>XX-XXXXXXX</u> -300*	Display Mode	AAS Type, Normally Black
Screen Diagonal	12.1 inch	Response Time	25 msec.
Display Area	245.76x184.32 mm	Backlight Unit	LED (white LED)
Resolution	1024x768 (XGA)	Viewing Angle (L/R, U/D)	178°/178° (CR _≥ 10)
Contrast Ratio	1000:1	Backlight Lifetime	30000 HRS
Display Ratio	4:3	Operating Temp.	-30~70°C
Support Color	16.7M Colors	Storage Temp.	-40~80°C
Pixel Pitch	0.240x0.240 mm	Surface Treatment	Anti-glare, 3H

* X = A~Z, 0~9 (Depends on Options.)

Audio System

	Description	Connector
Audio Input	Stereo	TRS Connector Φ3.5mm (Earphone Jack)
Speakers	2W x2	



Supported OS

Windows	Win7, Win8, Win10 ↑
Linux	Kernel 2.6.24 ↑
Android	3.0 ↑
Mac	10.5.x ↑ (Intel CPU)

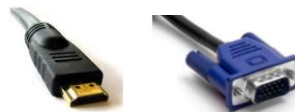
General Options

Brightness			
	Brightness	Environment	Model Name
Standard	500nits	General (Indoor Environment)	NTSP121<u>N</u>X-XXXXXXXX-300
Option 1	1000nits	Outdoor Environment	NTSP121 <u>A</u> X-XXXXXXXX-300
Option 2	1500nits	Sunlight Readable	NTSP121 <u>F</u> X-XXXXXXXX-300

Video Input		
	Connectors	Model Name
Standard	VGA+DVI	NTSP121XX-XXXXX<u>1</u>X-300
Option 1	VGA+HDMI	NTSP121XX-XXXXX <u>2</u> X-300
Option 2	VGA+HDMI+DP	NTSP121XX-XXXXX <u>3</u> X-300



Standard / VGA+DVI



Option 1 / VGA+HDMI



Option 2 / VGA+HDMI+DP

Power Input		
	Description	Model Name
Standard	12VDC , DC Power Jack Φ2.1mm	NTSP121XX-XXXXXX<u>1</u>-300
Option	12VDC , DC Lockable Power Jack Φ 2.1mm	NTSP121XX-XXXXXX <u>2</u> -300



Option / Lockable Power Jack



General Options

Material of Cabinet		
	Description	Model Name
Standard	Galvanized steel (SECC)	NTSP121XX-XXXSXXX-300
Option 1	Stainless Steel	NTSP121XX-XXX L XXX-300
Option 2	Aluminum	NTSP121XX-XXX A XXX-300

Color of Cabinet		
	Description	Model Name
Standard	Black	NTSP121XX-XBXXXXXX-300
Option 1	White	NTSP121XX-X W XXXXXX-300
Option 2	Sliver	NTSP121XX-X S XXXXXX-300
Options	Other Color	NTSP121XX-X X XXXXXX-300

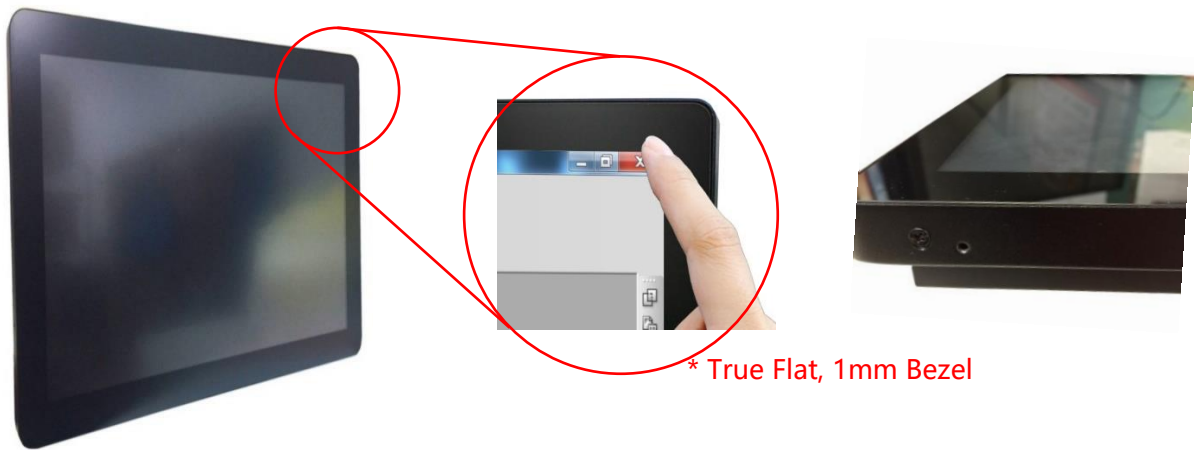
* X = A~Z, 0~9 (Depends on Color)

Accessories

Item	Description	Quantity
VGA Cable	D-Sub 15Pin Male to Male, 1.2 Meter	1
Audio cable	3.5mm Headset Jack, Male to Male, 1.2 Meter	1
AC-DC Adapter	4.16A/12V with CE/FCC/CCC/UL/RoHS/PSE/JET Certification	1
Power cord	*Country Specific	1
USB Cable	A type, Male to Male, 1.5 Meter *(only for touch monitor)	1

Touch Specifications

Touch Technology	Projected Capacitive	Transparency	≥87%
Allowed Touch Points	10 points	Accuracy	99.00%
Interface	USB	Thickness of Cover Lens	2.2±0.05mm
Hardness of Cover Lens	7H		



Active Stylus Option	
Technology	Active Capacitive Coupled
Working Frequencies	90~250 KHZ
Pressure Level	256~1024 Levels
Side Buttons	2 Side Buttons (Eraser, Barrel)
Active Tip Force	5~25g
Max. Tip Force	400g

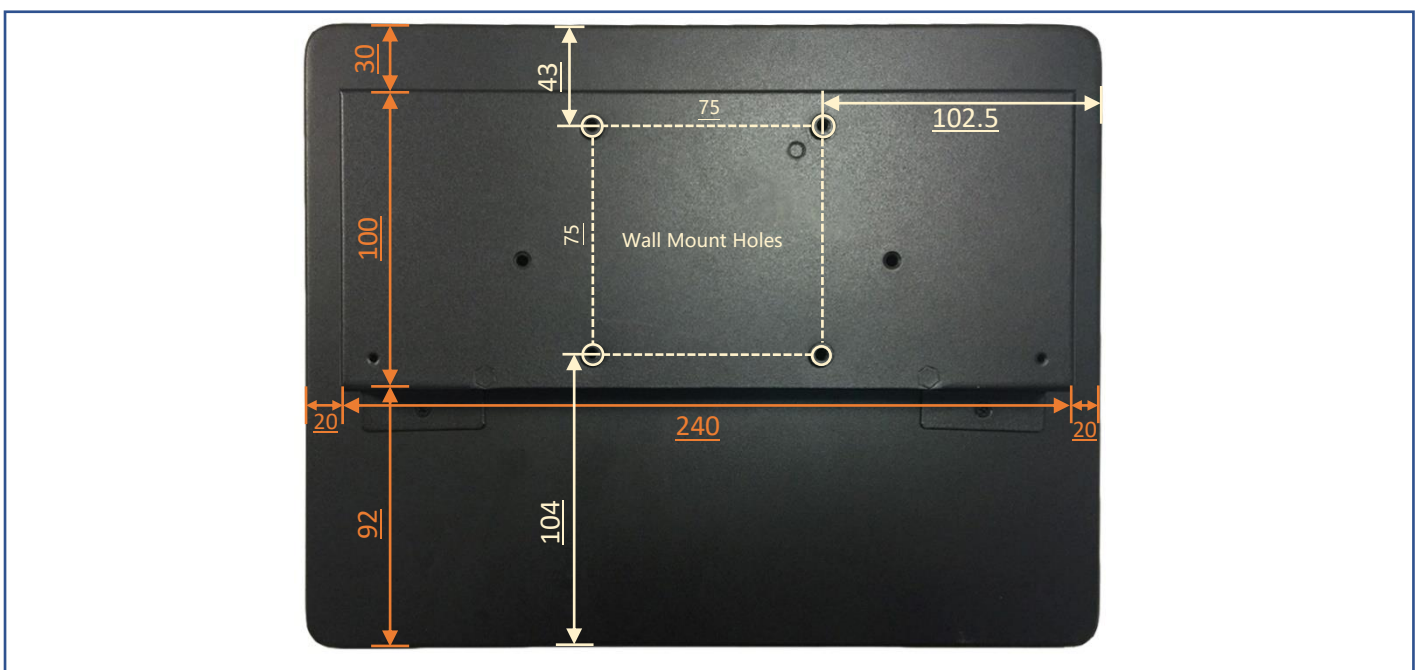
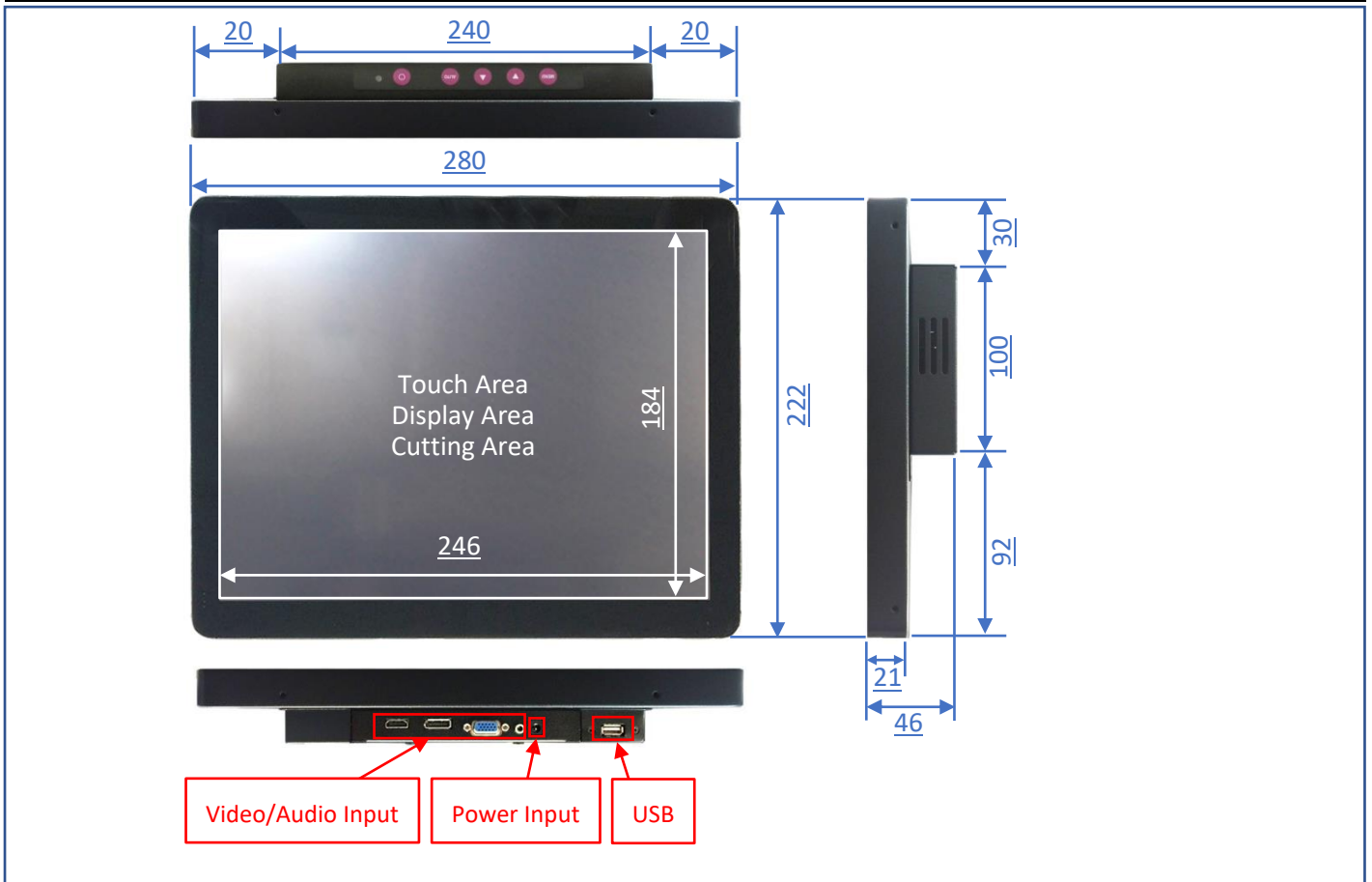


Surface Film Options	
Standard	(none)
Option	Antibacterial (AB Film)
Option	Anti-Glare (AG Film)
Option	Anti-Reflective (AR Film)
Option	Anti-Fouling/Fingerprint (AFP Film)
Option	Anti-Spy (AS Film)
Option	UV-Cut (UV Film)



Physical Specifications

Dimension (Max)	280x222x46(±1)mm	Net Weight	≈2.0 KG
VESA Mounting	75x75 mm	Gross Weight	≈3.4 KG



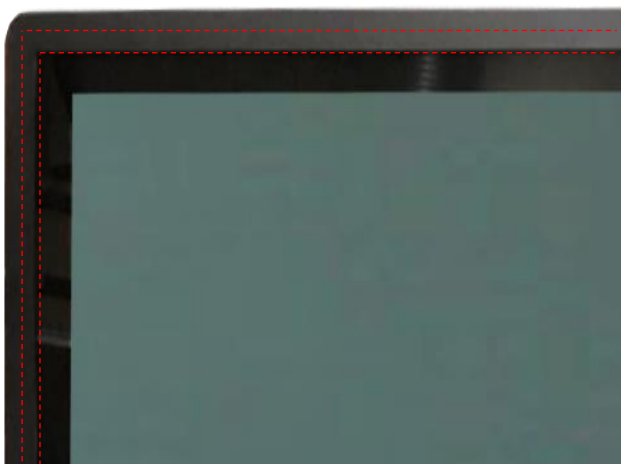
Optional Accessories (Front Cover)



The standard **NTSP121** is true flat surface, with only 1mm metal bezel.
To protect the corners of the touch screen, the **Front Cover** can be added.

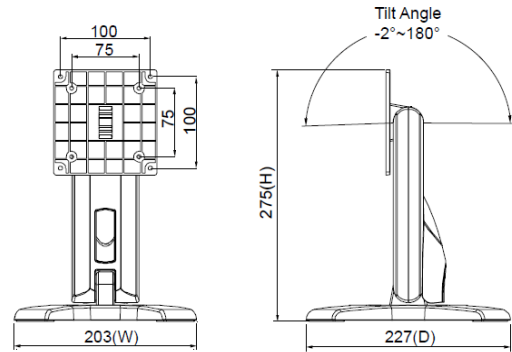


The watertight gasket can be added between the **Front Cover** and **NTSP121**.
It complies IP65 on front.

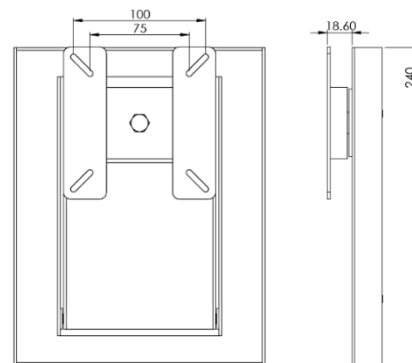


Optional Accessories (Desktop Stand)

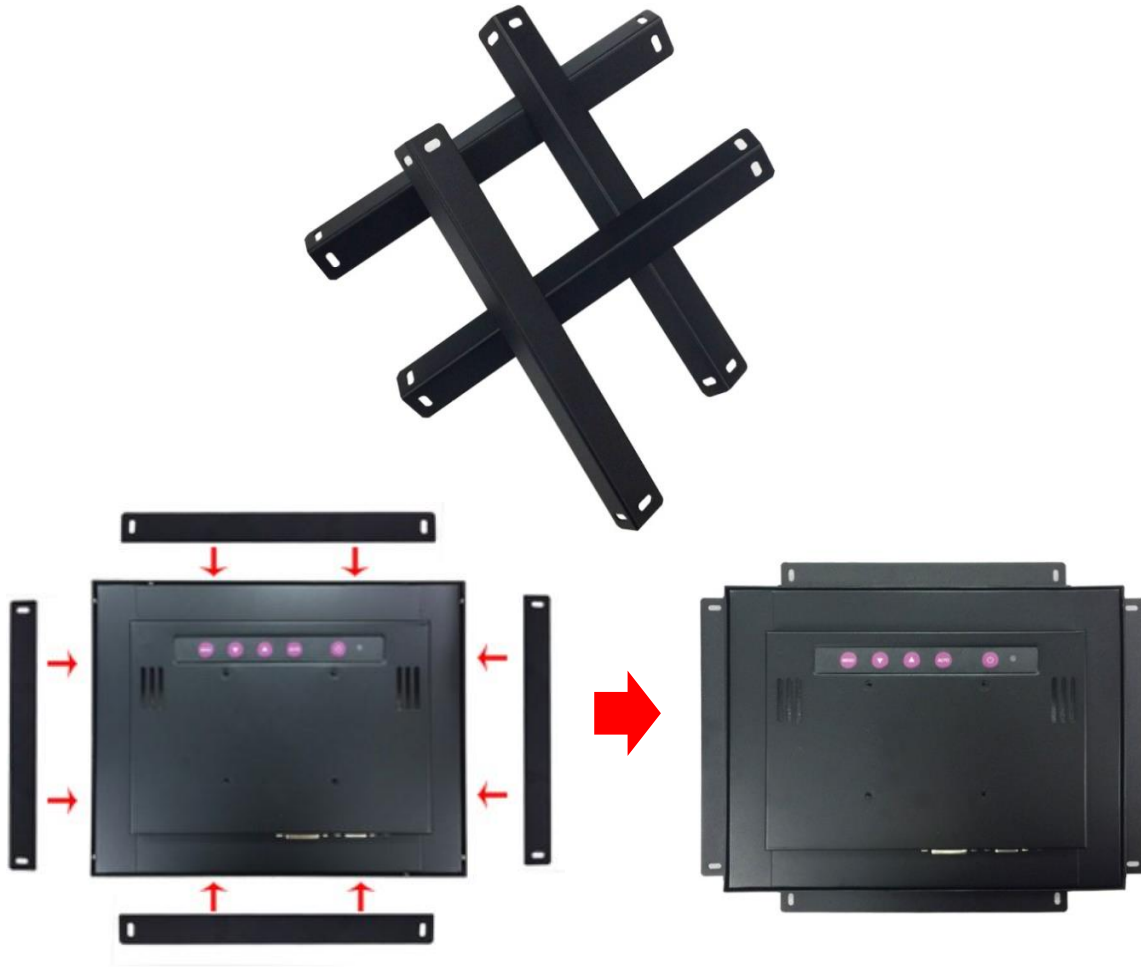
Item	B Stand	Part No.	DST-0B001/DST-1B001
Mounting Pattern	100x100 / 75x75 mm	Dimension (WxHxD)	203x275x227 mm
Material	Steel/Plastic/Aluminum	Net Weight	1.8 KG
Tile (Hinge)	-2° ~+180°	Support Max. Weight	15 KG



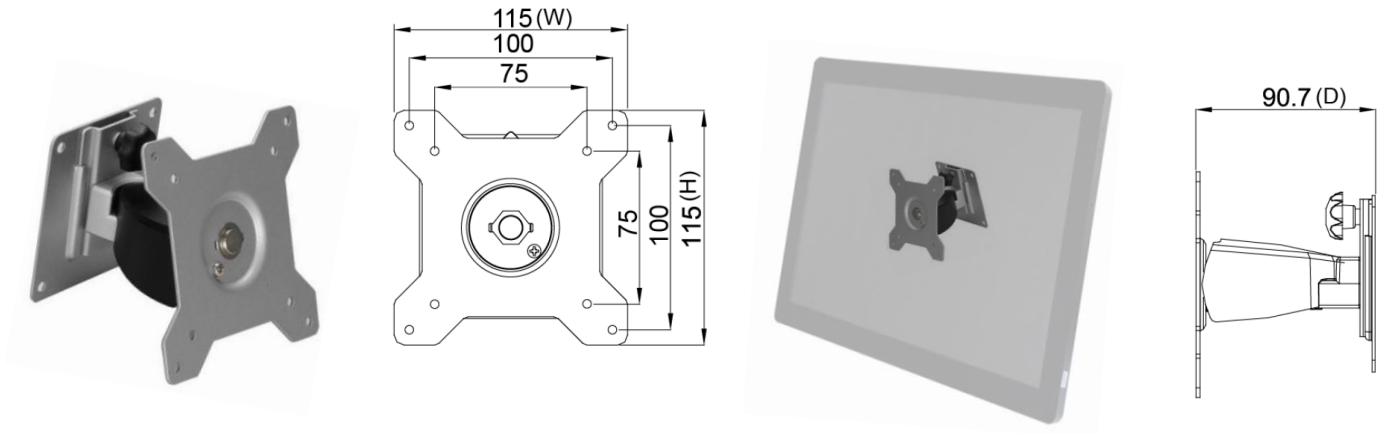
Item	Z Stand	Part No.	DST-0BZ02/DST-1BZ02
Mounting Pattern	100x100 / 75x75 mm	Dimension (WxHxD)	190x240x41.6
Material	SECC	Net Weight	2.6 KG
Tile (Hinge)	±360°	Support Max. Weight	15 KG



Optional Accessories (Open-frame Brackets)



Optional Accessories (Wall Mount Bracket)



Packing Information



Size of Unit Carton	422x181x313 mm
Net Weight	≤2.0 KG
Gross Weight	≤3.5 KG



Size of Outer Box	595x445x375 mm
Units per Box	3
Net Weight	≤6.0 KG
Gross Weight	≤11.6 KG

Size of Pallet	120x100x15 CM
Units per Pallet	48
Total Size	120x100x165 CM
Total Weight	≤201 KG

Optional Accessories (Desktop Stand or Arm)



- 273x180x265 mm
 - 1.07 KG
 - Support 12 KG



- 620x556x123 mm
 - 3 KG
 - Support 10 KG



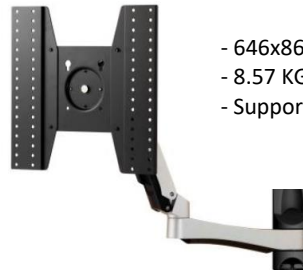
- 250x192x445 mm
 - 1.4 KG
 - Support 12 KG



- 655x858.5x563 mm
 - 7.56 KG
 - Support 30 KG



- 158x403x144 mm
 - 2.12 KG
 - Support 12 KG



- 646x861x953.5 mm
 - 8.57 KG
 - Support 30 KG



- 423x403x240 mm
 - 1.91 KG
 - Support 12 KG



- 1300x403x307 mm
 - 5.3 KG
 - Support 8 KG (2.7 KG Each)



- 715x393x144 mm
 - 3.68 KG
 - Support 12 KG (6 KG Each)

