



Product Specifications

Customer	
Model	NTSP185-3 V400



Records of Revision			
Vision	Modifying	Old Description	New Description
v1811.1	Preliminary Specification		
v1811.2	Format Updated		
v1811.3	Dimensions Corrected		
v1811.4	1. Add Antibacterial Film Option 2. Add Color Options		
V1811.5	Modify Packing for Saving Shipping		

Features

- ★ 18.5" , 16:9/1920x1080 (FHD) Resolution
- ★ AHVA Wide Viewing Angle Technology (178°/178°)
- ★ Operating Temperature Range -20~70°C
- ★ True Flat Projected Capacitive Touch Screen
- ★ 7H Hardness Tempered Cover Glass
- ★ 10 points Multi-touch , Supports Active Stylus
- ★ Metal Cabinet with Diverse Combine Options
- ★ Made in Taiwan, 3 Years Warranty
- ★ Designed for Harsh Environments
- ★ Optional High Brightness/Sunlight Readable
- ★ Optional 9~36VDC Power Input
- ★ Optional Video Input (VGA/DVI/HDMI/DP)
- ★ Optional Software Remote Control by RS232
- ★ Optional Auto Dimming Function (with Light Sensor)
- ★ Optional AG/AR/AF/AS Film
- ★ **Optional Antibacterial Film Option, disinfects 99.99% or Harmful Bacteria**



Side Brackets



Desktop Stand



Wall Mounting



PSE



BSMI



FCC



CE



RoHS



ISO9001

Display Specifications

Model Name	NTSP185XX-3XXXXXX-400*	Display Mode	AHVA Mode, Normally Black
Screen Diagonal	469.2mm (18.5 inch)	Response Time	20 msec.
Display Area	409.0x230.0 mm	Backlight Unit	LED (white LED)
Resolution	1920x1080 (FHD)	Viewing Angle (L/R, U/D)	178°/178° (CR=10)
Contrast Ratio	1000:1	Backlight Lifetime	50000 HRS
Display Ratio	16:9	Operating Temp.	-20~70°C
Support Color	16.7M Colors	Storage Temp.	-20~70°C
Pixel Pitch	0.213x0.213 mm	Surface Treatment	Anti-glare, Hardness 3H

* X = A~Z, 0~9 (Depends on options)

Audio System

	Description	Connector
Audio Input	Stereo	TRS Connector Φ3.5mm (Earphone Jack)
Speakers	2W x2	



Supported OS

Windows	Win7, Win8, Win10 ↑
Linux	Kernel 2.6.24 ↑
Android	3.0 ↑
Mac	10.5.x ↑ (Intel CPU)

General Options

Brightness			
	Brightness	Environment	Model Name
Standard	500nits	General (Indoor Environment)	NTSP185<u>N</u>X-3XXXXXX-400
Option 1	1000nits	Outdoor Environment	NTSP185 <u>A</u> X-3XXXXXX-400
Option 2	1500nits	Sunlight Readable	NTSP185 <u>F</u> X-3XXXXXX-400

Video Input		
	Connectors	Model Name
Standard	VGA+DVI	NTSP185XX-3XXXX<u>1</u>X-400
Option 1	VGA+HDMI	NTSP185XX-3XXXX <u>2</u> X-400
Option 2	VGA+HDMI+DP	NTSP185XX-3XXXX <u>3</u> X-400



Standard / VGA+DVI



Option 1 / VGA+HDMI



Option 2 / VGA+HDMI+DP

Power Input		
Standard	12VDC , DC Power Jack Φ2.1mm	NTSP185XX-3XXXX<u>1</u>-400
Option 1	12VDC , DC Lockable Power Jack Φ 2.1mm	NTSP185XX-3XXXX <u>2</u> -400
Option 2	9~36VDC, Phoenix Terminal Block	NTSP185XX-3XXXX <u>P</u> -400



Option 1 / Lockable Power Jack



Option 2 / Phoenix Terminal Block

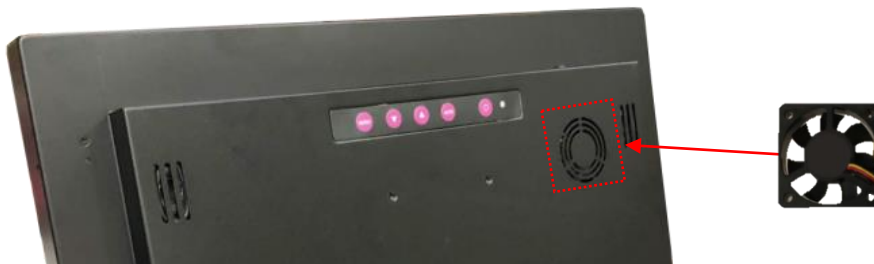
General Options

Material of Cabinet		
	Description	Model Name
Standard	Galvanized steel (SECC)	NTSP185XX-3XX<u>S</u>XXX-400
Option 1	Stainless Steel	NTSP185XX-3XX <u>L</u> XXX-400
Option 2	Aluminum	NTSP185XX-3XX <u>A</u> XXX-400

Color of Cabinet		
	Description	Model Name
Standard	Black	NTSP185XX-3<u>B</u>XXXXXX-400
Option 1	White	NTSP185XX-3 <u>W</u> XXXXXX-400
Option 2	Sliver	NTSP185XX-3 <u>S</u> XXXXXX-400
Options	Other Color	NTSP185XX-3 <u>X</u> XXXXXX-400

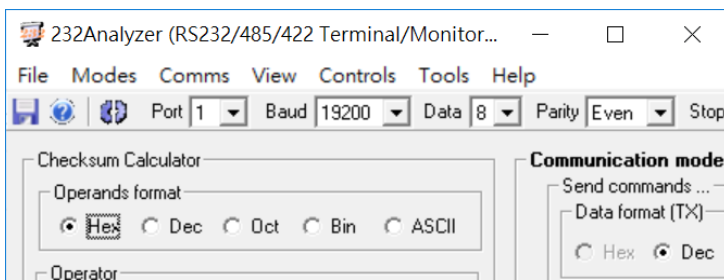
* X = A~Z, 0~9 (Depends on Color)

Cooling Fan		
	Description	Model Number
Standard	Fanless	NTSP185XX-3XXX<u>0</u>XX-400
Option	7 Blades/1.2W/4000r.p.m/Max.10.96CFM/28.3dB	NTSP185XX-3XXX <u>F</u> XX-400

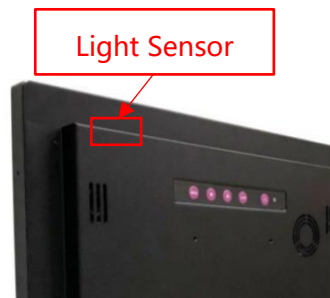
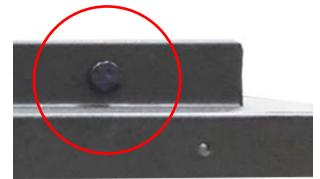


General Options

OSD Control		
	Item	Description
Standard	Button	Rear Physical Button
Option 1	Software Remote Control	Software Remote Control by RS232/Serial Port
Option 2	Auto Dimming	Auto Brightness Adjusting by Built-in Light Sensor



* Software Remote Control



Accessories

Item	Description	Quantity
VGA Cable	D-Sub 15Pin Male to Male, 1.2 Meter	1
Audio cable	3.5mm Headset Jack, Male to Male, 1.2 Meter	1
AC-DC Adapter	4.16A/12V with CE/FCC/CCC/UL/RoHS/PSE/JET Certification	1
Power cord	*Country Specific	1
USB Cable	A type, Male to Male, 1.5 Meter *(only for touch monitor)	1

Touch Specifications

Touch Technology	Projected Capacitive	Transparency	≥87%
Allowed Touch Points	10 points	Accuracy	99.00%
Interface	USB/RS232 (Optional)	Thickness of Cover Lens	1.8±0.2mm
Hardness of Cover Lens	7H		



Active Stylus Option	
Technology	Active Capacitive Coupled
Working Frequencies	90~250 KHZ
Pressure Level	256~1024 Levels
Side Buttons	2 Side Buttons (Eraser, Barrel)
Active Tip Force	5~25g
Max. Tip Force	400g

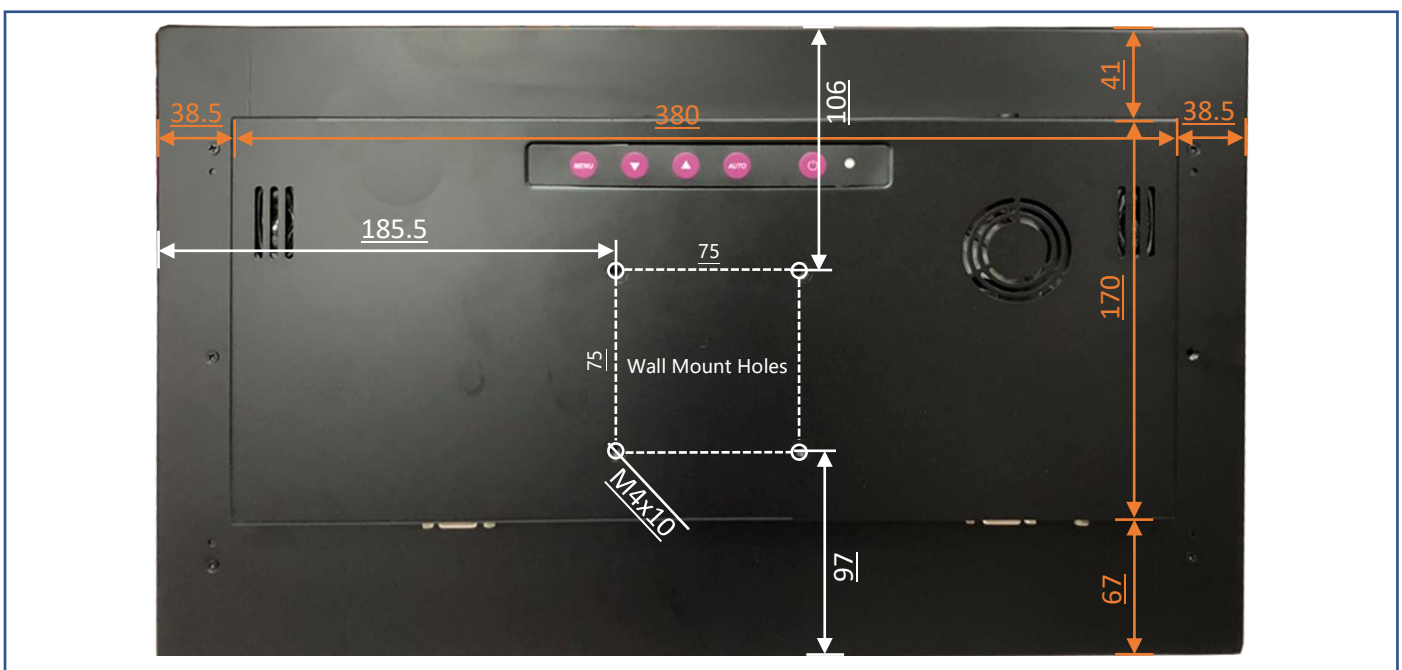
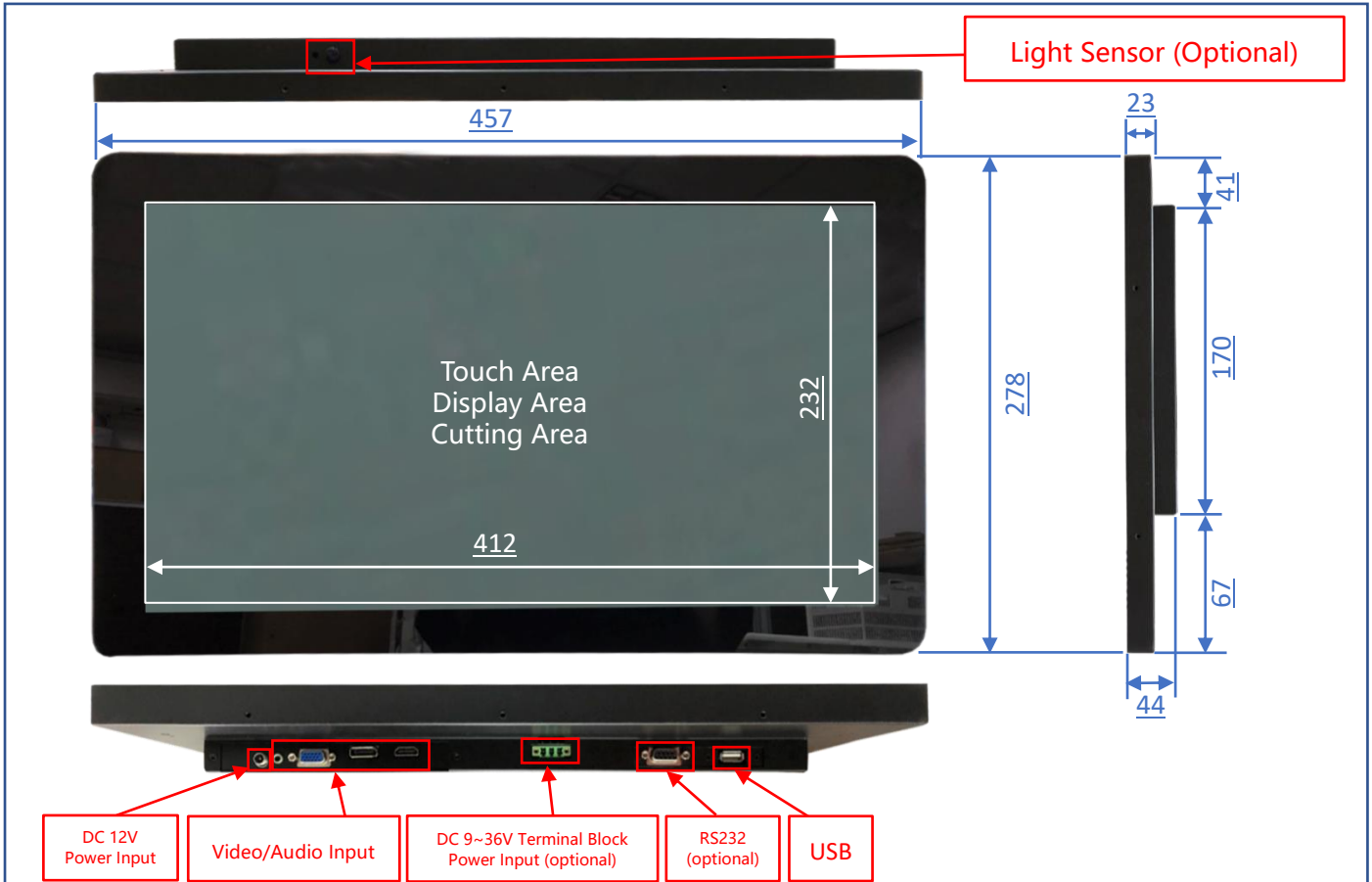


Surface Film Options	
Standard	(none)
Option	Antibacterial (AB Film)
Option	Anti-Glare (AG Film)
Option	Anti-Reflective (AR Film)
Option	Anti-Fouling/Fingerprint (AFP Film)
Option	Anti-Spy (AS Film)
Option	UV-Cut (UV Film)

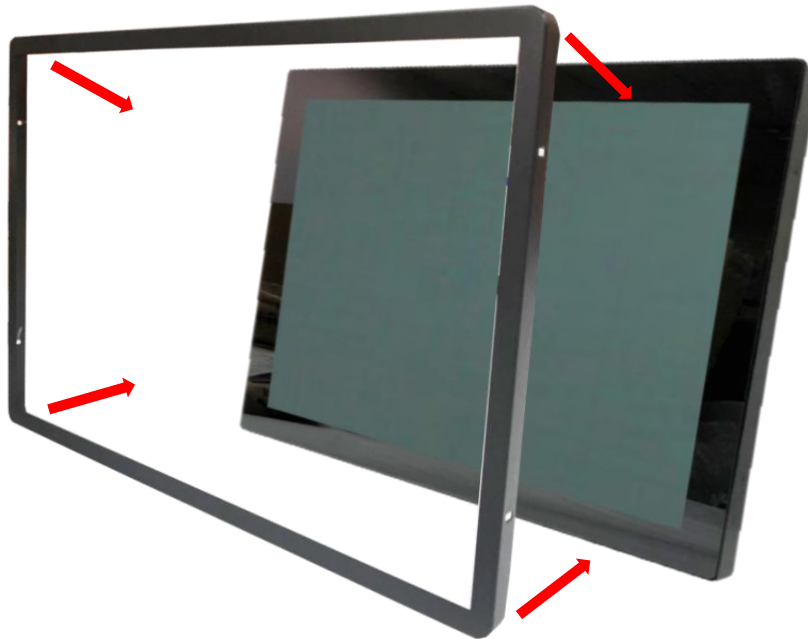


Physical Specifications

Dimension (Max)	457x278x44(±1)mm	Net Weight	≦ 4.6 KG
VESA Mounting	75x75 mm	Gross Weight	≦ 6.5 KG



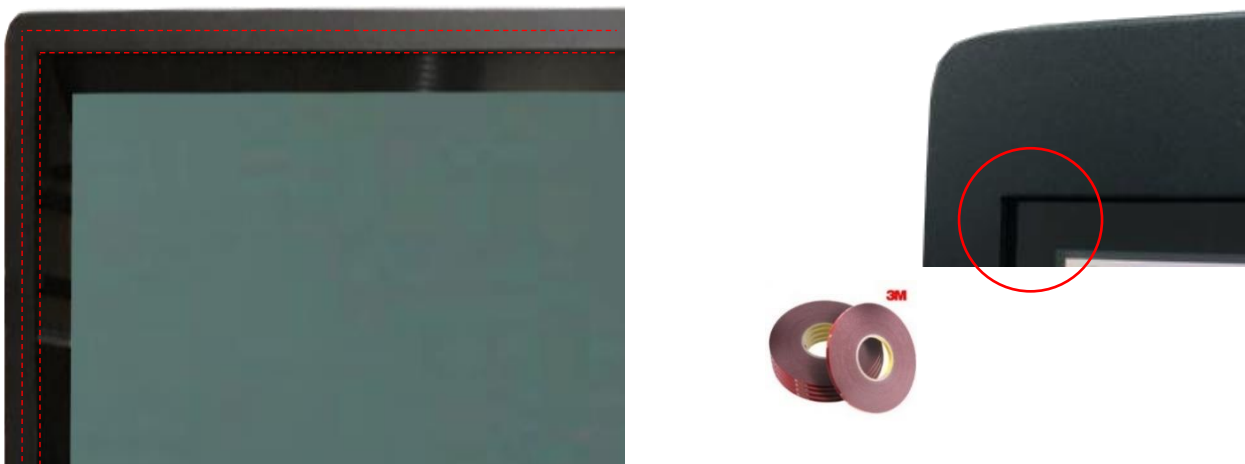
Optional Accessories (Front Cover)



The standard **NTSP185** is true flat surface, with only 1mm metal bezel.
To protect the corners of the touch screen, the **Front Cover** can be added.

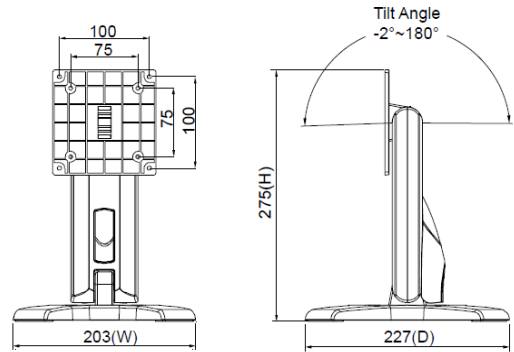


The watertight gasket can be added between the **Front Cover** and **NTSP185**.
It complies IP65 on front.

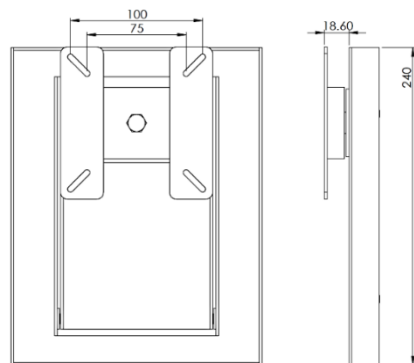


Optional Accessories (Desktop Stand)

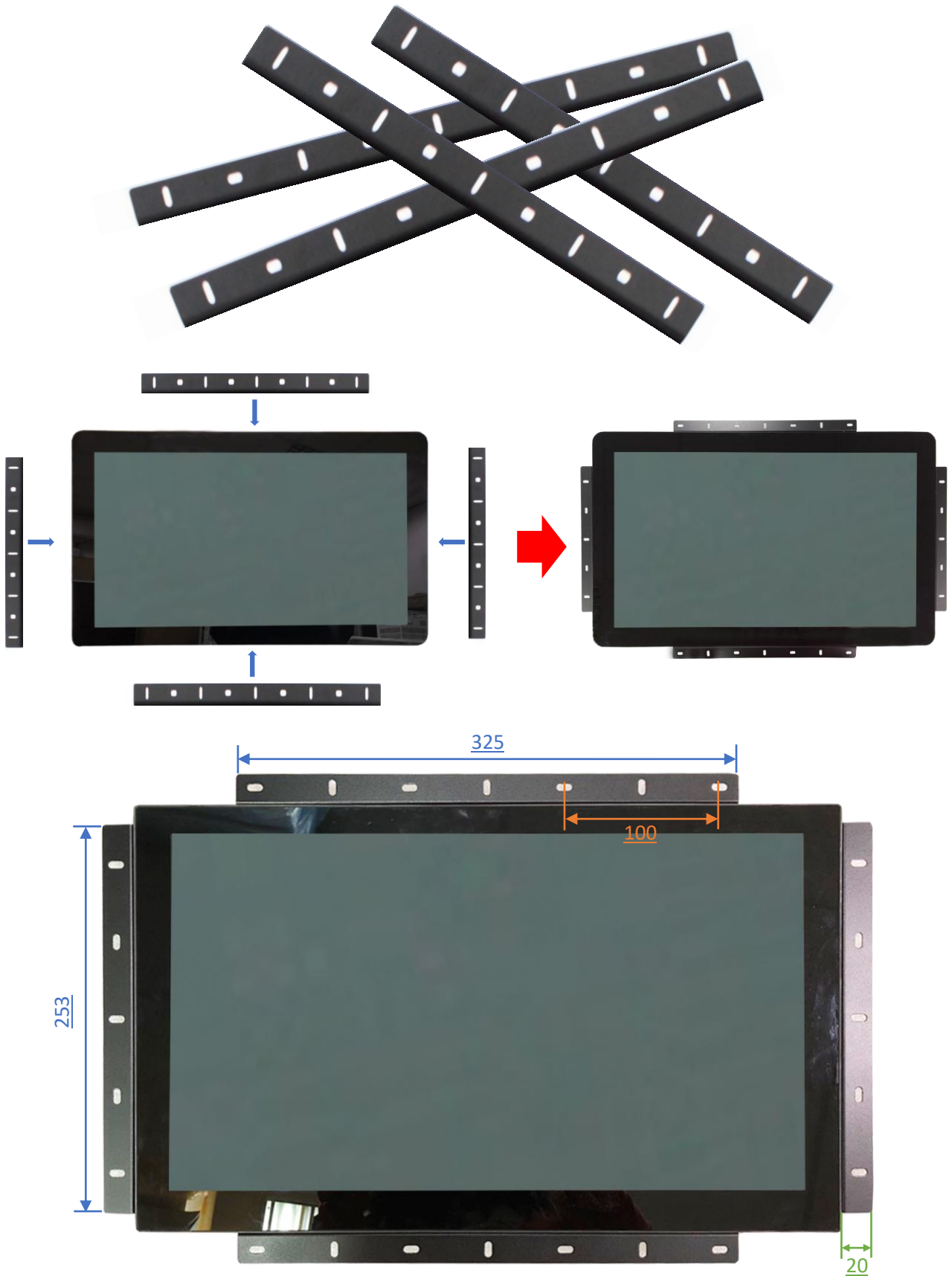
Item	B Stand	Part No.	DST-0B002/DST-1B002
Mounting Pattern	100x100 / 75x75 mm	Dimension (WxHxD)	203x275x227 mm
Material	Steel/Plastic/Aluminum	Net Weight	1.8 KG
Tile(Hinge)	-2° ~+180°	Support Max. Weight	15 KG



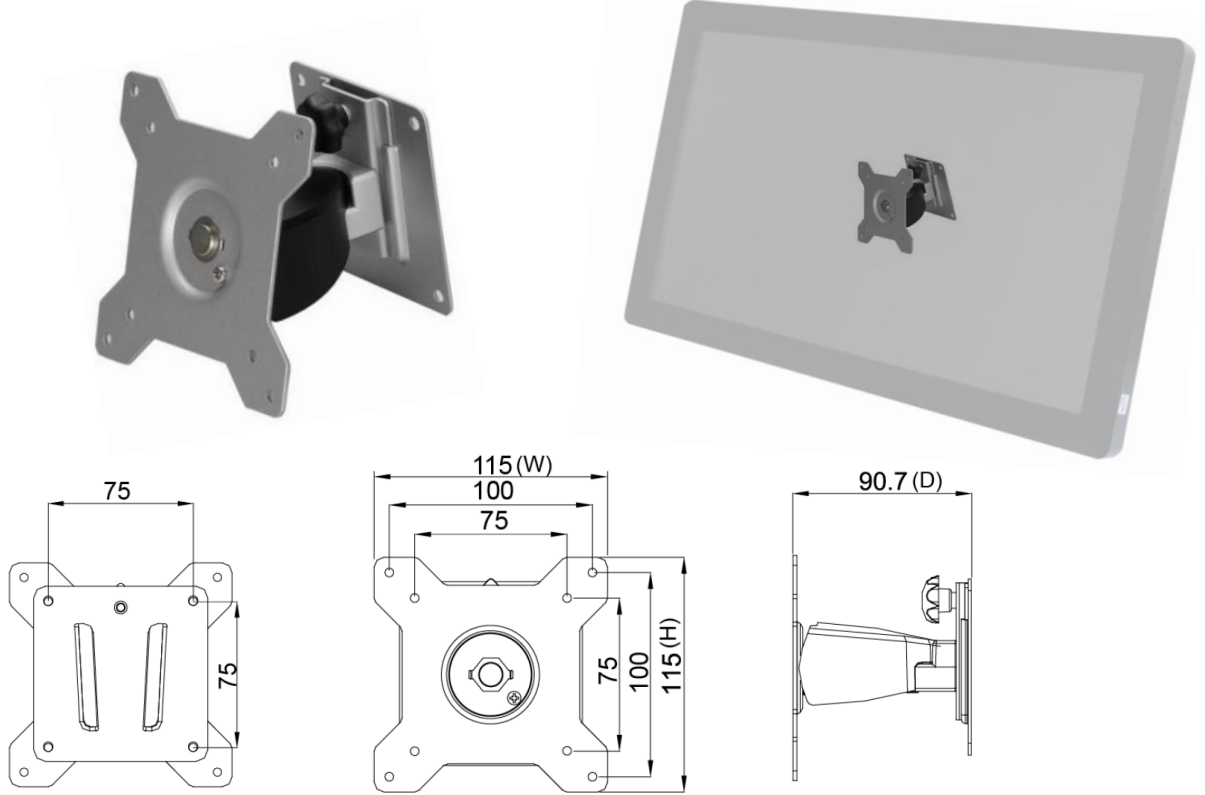
Item	Z Stand	Part No.	DST-0BZ01/DST-1BZ01
Mounting Pattern	100x100 / 75x75 mm	Dimension (WxHxD)	190x240x41.6
Material	SECC	Net Weight	2.6 KG
Tile (Hinge)	±360°	Support Max. Weight	15 KG



Optional Accessories (Open-frame Brackets)



Optional Accessories (Wall Mount Bracket)



Packing Information



Dimensions of Carton	574x170x418 mm
Net Weight	≤4.6 KG
Gross Weight	≤6.5 KG

Optional Accessories (Desktop Stand or Arm)



- 273x180x265 mm
- 1.07 KG
- Support 12 KG



- 620x556x123 mm
- 3 KG
- Support 10 KG



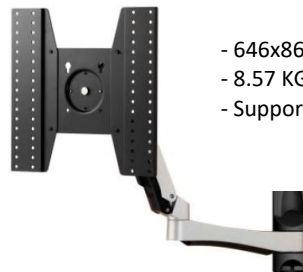
- 250x192x445 mm
- 1.4 KG
- Support 12 KG



- 655x858.5x563 mm
- 7.56 KG
- Support 30 KG



- 158x403x144 mm
- 2.12 KG
- Support 12 KG



- 646x861x953.5 mm
- 8.57 KG
- Support 30 KG



- 423x403x240 mm
- 1.91 KG
- Support 12 KG



- 1300x403x307 mm
- 5.3 KG
- Support 8 KG (2.7 KG Each)



- 715x393x144 mm
- 3.68 KG
- Support 12 KG (6 KG Each)

