

Features

- ★ 21.5 inch Industrial Grade Panel, 1920x1080 (FHD) Resolution
- ★ 1500nits High Brightness
- ★ Wide Viewing Angle Technology , 178°/178°
- ★ Operating Temperature Range -20~70°C
- ★ Narrow Bezel, True Flat Projected Capacitive Touch Screen
- ★ 7H Hardness Tempered Cover Glass
- ★ 10 points Multi-touch, Supports NEXTECH Dedicated Stylus
- ★ Metal Cabinet with Diverse Combine Options
- ★ Made in Taiwan, 3 Years Warranty, Designed for Harsh Environments
- ★ Optional Video Input (VGA/DVI/HDMI/DP)
- ★ Optional 100~240VAC and 9~36VDC Power Input
- ★ Optional Software Remote Control by RS232 or DDC/CI
- ★ Optional Auto Dimming Function (with Light Sensor)
- ★ Optional Anti-Glare&UV/Antibacterial/Privacy Filter Surface Treatment



PSE



BSMI



RoHS



CE



ISO9001



FCC



Desktop Stand



Wall Mounting



Open-frame Brackets



Panel Mount

Display Specifications

Model Name	NTSP215HX6XX-XXXXXF-500*	Display Mode	Normally Black
Screen Diagonal	21.5 inch	Response Time	14 msec.
Display Area	476.6x268.1 mm	Backlight Unit	LED (white LED)
Resolution	1920x1080 (FHD)	Viewing Angle (L/R, U/D)	178°/178° (CR=10)
Contrast Ratio	1000:1	Backlight Lifetime	>30,000 Hours
Display Ratio	16:9	Operating Temp.	-20~70°C
Support Colors	16.7M Colors	Storage Temp.	-30~80°C
Pixel Pitch	0.24825x0.24825 mm	Brightness	1500nits

* X = A~Z, 0~9 (Depends on options)

Accessories

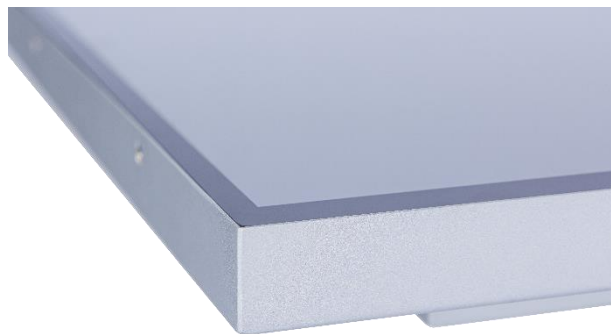
Item	Description	Quantity
HDMI Cable	Male to Male, 1.8 Meter	1
AC-DC Adapter	12V with CE/FCC/CCC/UL/RoHS/PSE/JET Certification	1
Power Cord	*Country Specific	1
USB Cable	A type, Male to Male, 1.8 Meter *(only for touch monitor)	1

Touch Options

Touch Screen		
	Description	Model Name
Standard	Projected Capacitive Touch	NTSP215HP6XX-XXXXUF-500
Option	Non-Touch	NTSP215H06XX-XXXX0F-500

Projected Capacitive Touch

Touch Technology	Projected Capacitive	Thickness of Cover Lens	2.9±0.2mm
Allowed Touch Points	10 points	Hardness of Cover Lens	7H
Transparency	≥87%	IK Ratings	IK07
Accuracy	99.00%	Surface Treatment	Anti-glare +UV cut



* True Flat, 1mm Bezel

Passive Stylus Pen (Option)	
Technology	Passive High Sensitive Knitted Wire Mesh Fiber Tip
Size of tip	6mm
Magnetic Attachment	Yes



Magnetic Attachment

General Options

Video Input		
	Description	Model Name
Standard	VGA+HDMI+DP	NTSP215HX6 <u>3</u> X-XXXXXF-500
Option	VGA+DVI	NTSP215HX6 <u>4</u> 1-XXXXXF-500



VGA+HDMI+DP

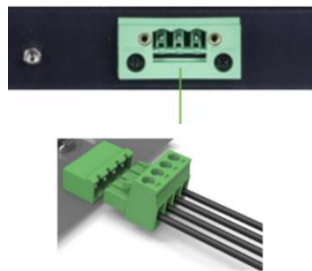


VGA+DVI

Power Input		
	Description	Model Name
Standard	12V, Lockable DC Jack Φ 2.1mm	NTSP215HX6 <u>3</u> 2-XXXXXF-500
Option 1	12VDC, DC Jack Φ 2.1mm	NTSP215HX6 <u>4</u> 1-XXXXXF-500
Option 2	9~36VDC, Phoenix Terminal Block	NTSP215HX6 <u>3</u> P-XXXXXF-500
Option 3	100~240VAC, C14 Female Socket	NTSP215HX6 <u>3</u> A-XXXXXF-500



Lockable DC Power Jack



Phoenix Terminal Block



C14 AC Socket

Surface Treatment		
	Description	Model Name
Standard	(none)	NTSP215HX6XX- <u>00</u> XXXXF-500
Option 1	Anti-Glare&UV Coating	NTSP215HX6XX- <u>GG</u> XXXXF-500
Option 2	Antibacterial (AB Film)	NTSP215HX6XX- <u>AB</u> XXXXF-500
Option 3	Anti-Spy (AS Film)	NTSP215HX6XX- <u>SF</u> XXXXF-500

General Options (Continued)

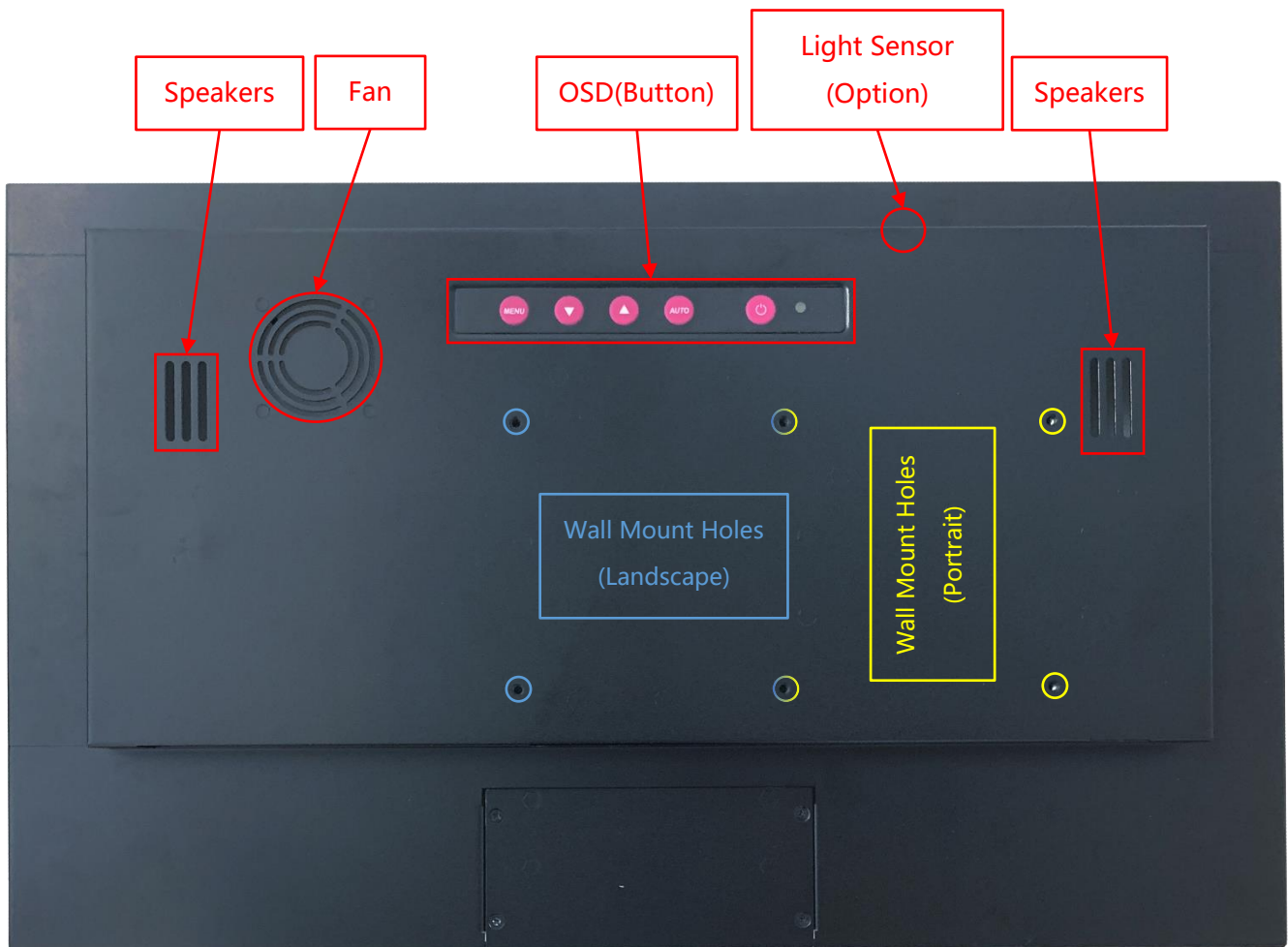
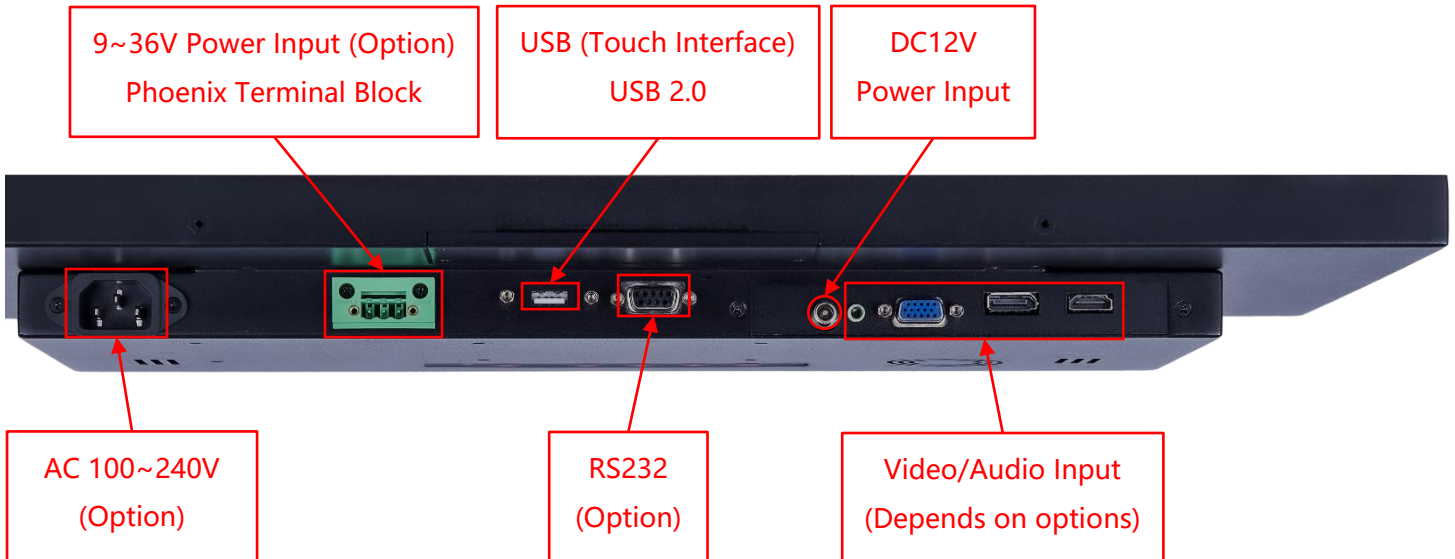
Color of Cabinet		
	Description	Model Name
Standard	Black	NTSP215HX6XX-XXBXXF-500
Option 1	White	NTSP215HX6XX-XXWXXF-500
Option 2	Silver	NTSP215HX6XX-XXSXXF-500
Options	Other Colors	NTSP215HX6XX-XXXXXF-500

* X = A~Z, 0~9 (Depends on Color)

Material of Cabinet		
	Description	Model Name
Standard	SECC	NTSP215HX6XX-XXXSXF-500
Option 1	Stainless Steel	NTSP215HX6XX-XXXLXF-500
Option 2	Aluminum	NTSP215HX6XX-XXXAXF-500

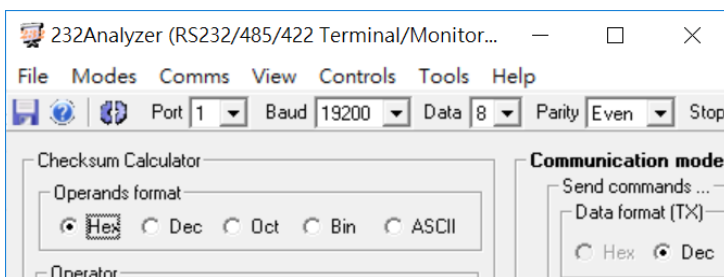
Touch Interface		
	Description	Model Name
Standard	USB	NTSP215HP6XX-XXXXUF-500
Option 1	RS232	NTSP215HP6XX-XXXXRF-500
Option 2	Non-Touch	NTSP215H06XX-XXXXOF-500

Input /Output System

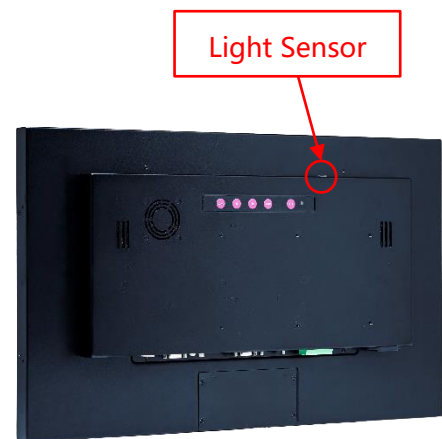


Other Options

OSD Control		
	Item	Description
Standard	Button	Rear Physical Button
Option 1	Software Remote Control	Software Remote Control by RS232/Serial Port
Option 2	Auto Dimming	Auto Brightness Adjusting by Light Sensor



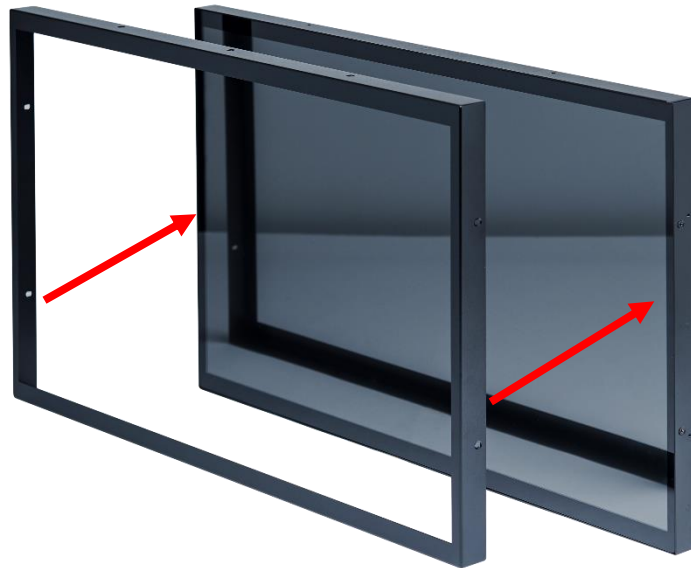
* Software Remote Control



Supported OS

Windows	Win7, Win8, Win10, Win11 ↑
Linux	Kernel 2.6.24 ↑
Android	3.0 ↑
Mac	10.5.x ↑ (Intel CPU)

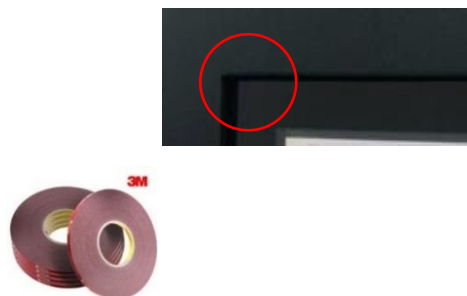
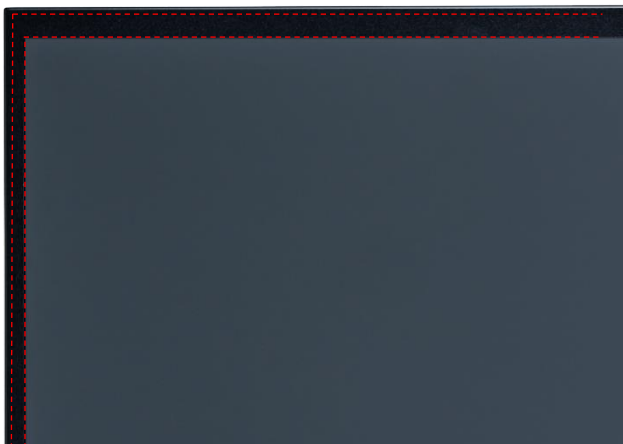
Front Cover (Option)



The standard **NTSP215** is true flat surface, with only 1mm metal bezel. To protect the corners of the touch screen, the **Front Cover** can be added.



The watertight gasket can be added between the **Front Cover** and **NTSP215**. It complies **IP65** on front.

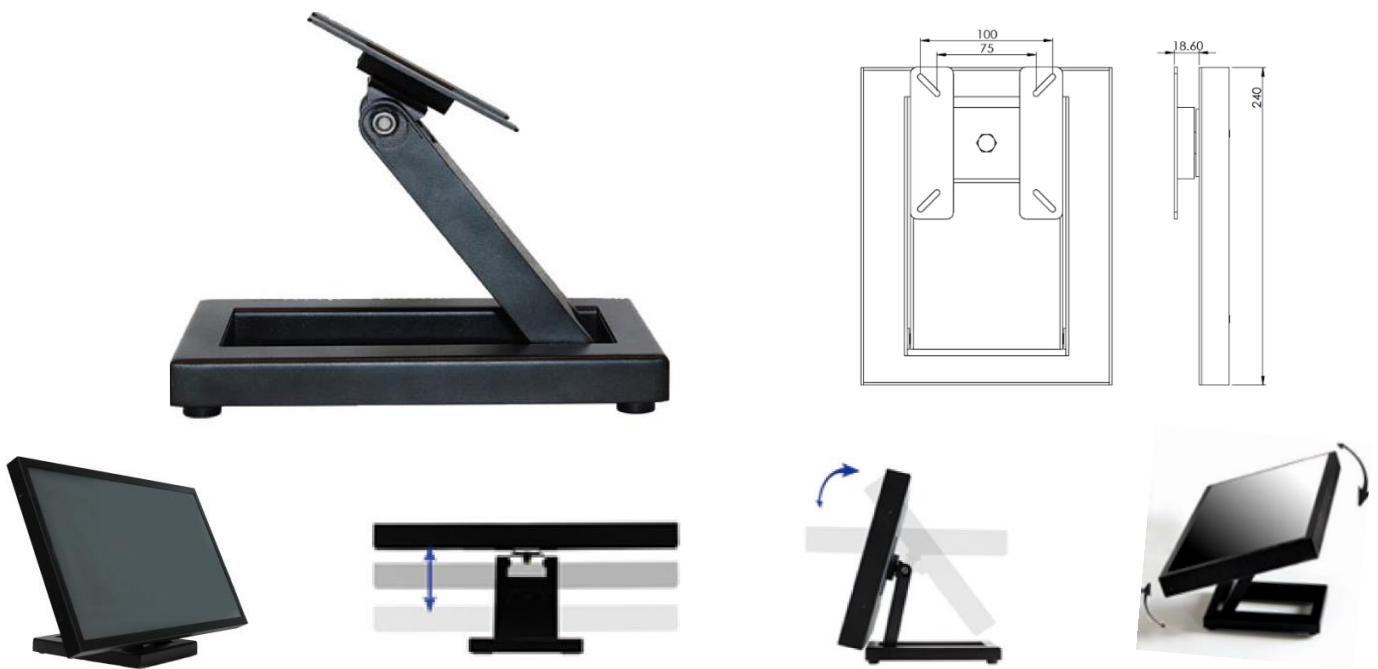


Desktop Stand (Option)

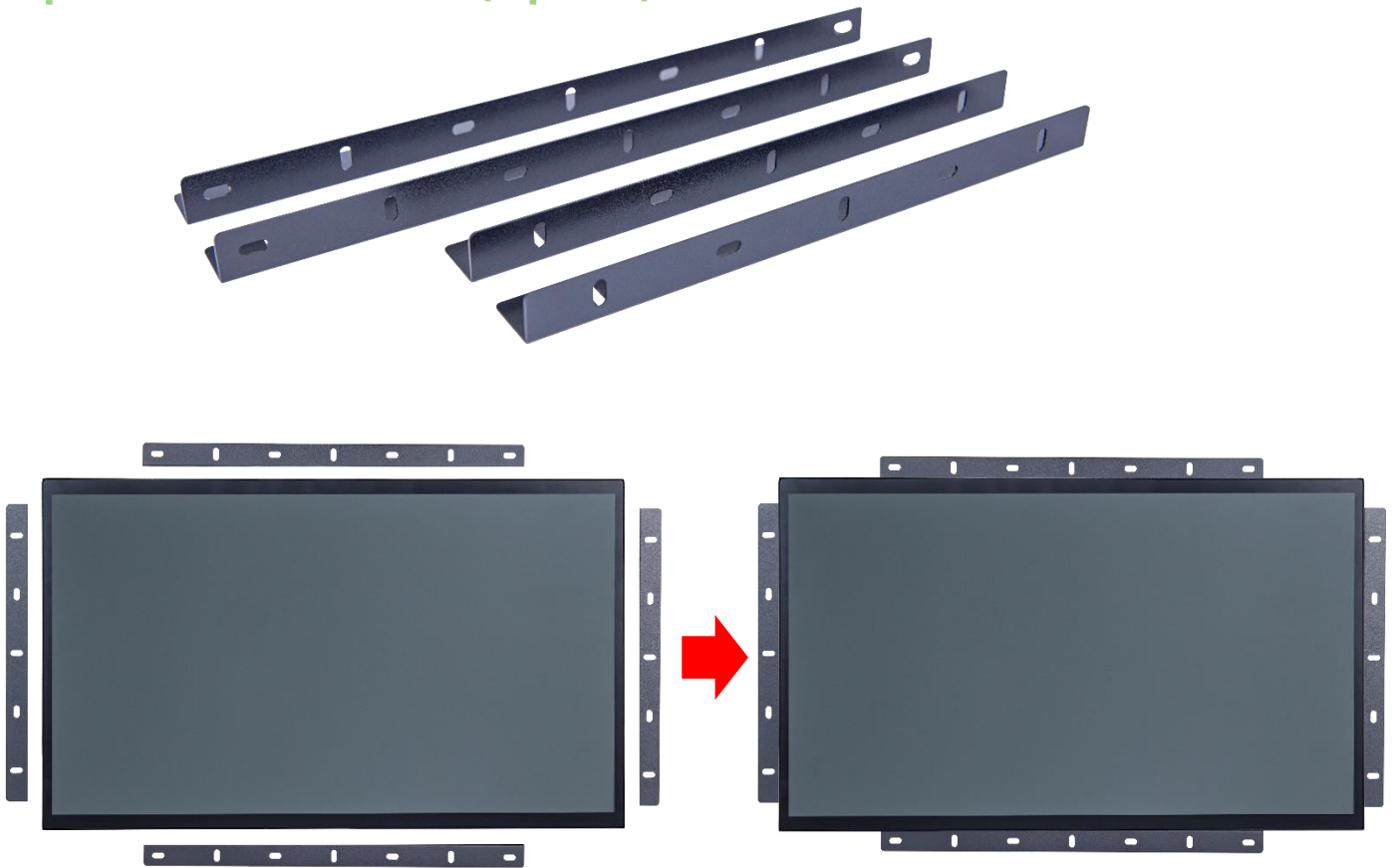
Item	B Stand	Part No.	DST-0B002/DST-1B002
Mounting Pattern	100x100 / 75x75 mm	Dimension (WxHxD)	203x275x227 mm
Material	Steel/Plastic/Aluminum	Net Weight	1.8 KG
Tilt (Hinge)	-2° ~ +180°	Support Max. Weight	15 KG



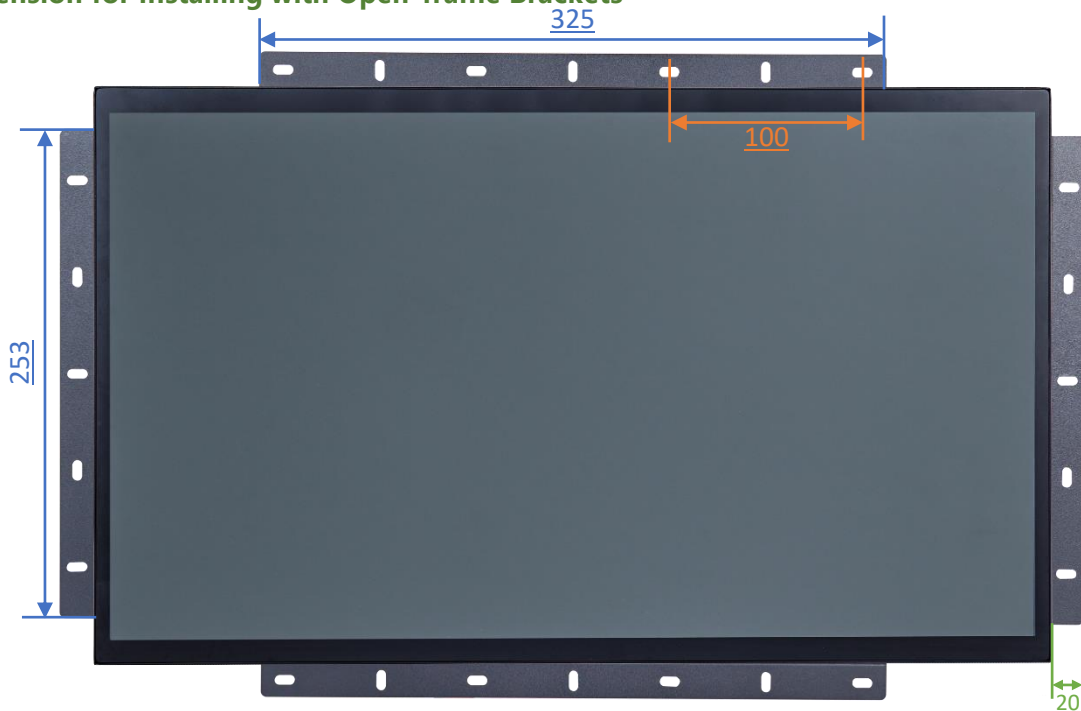
Item	Z Stand	Part No.	DST-0BZ01/DST-1BZ01
Mounting Pattern	100x100 / 75x75 mm	Dimension (WxHxD)	190x240x41.6
Material	SECC	Net Weight	2.6 KG
Tilt (Hinge)	±360°	Support Max. Weight	15 KG



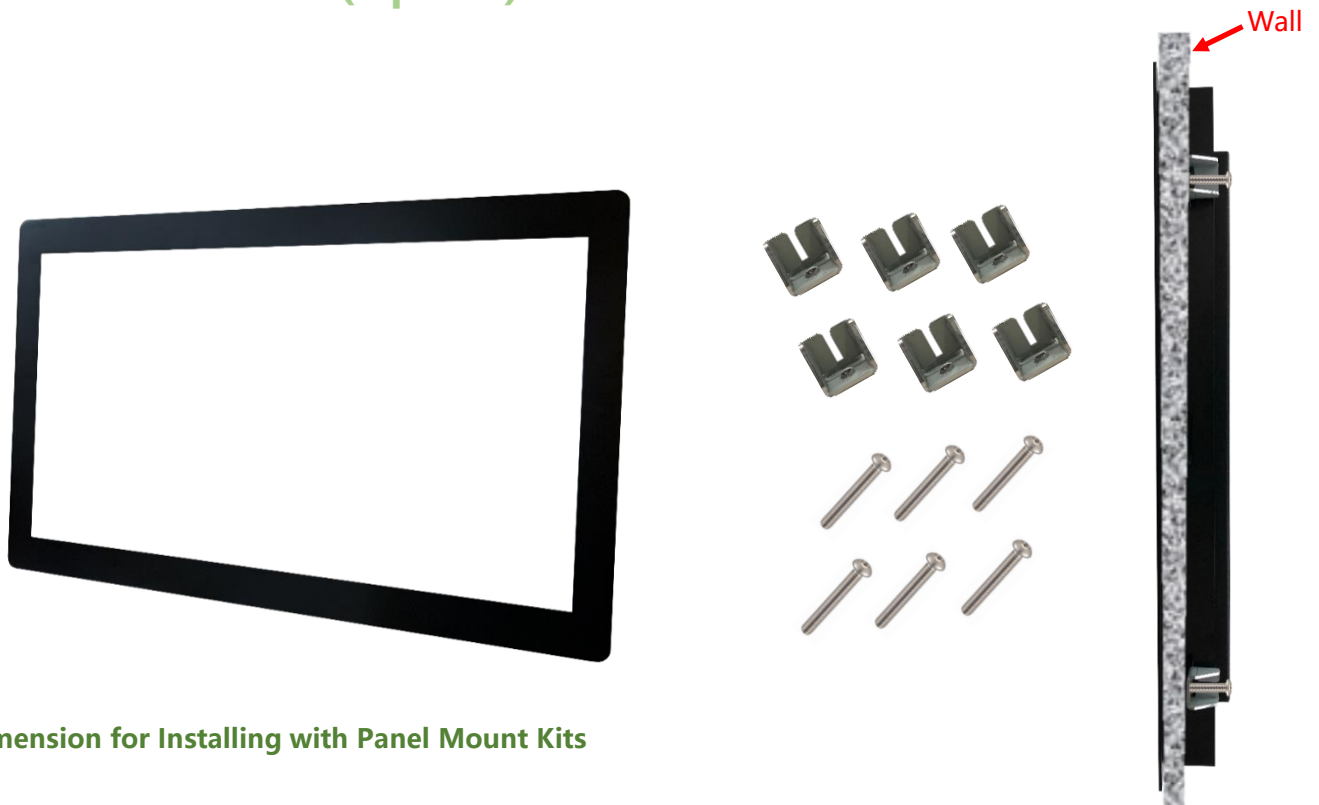
Open-frame Brackets (Option)



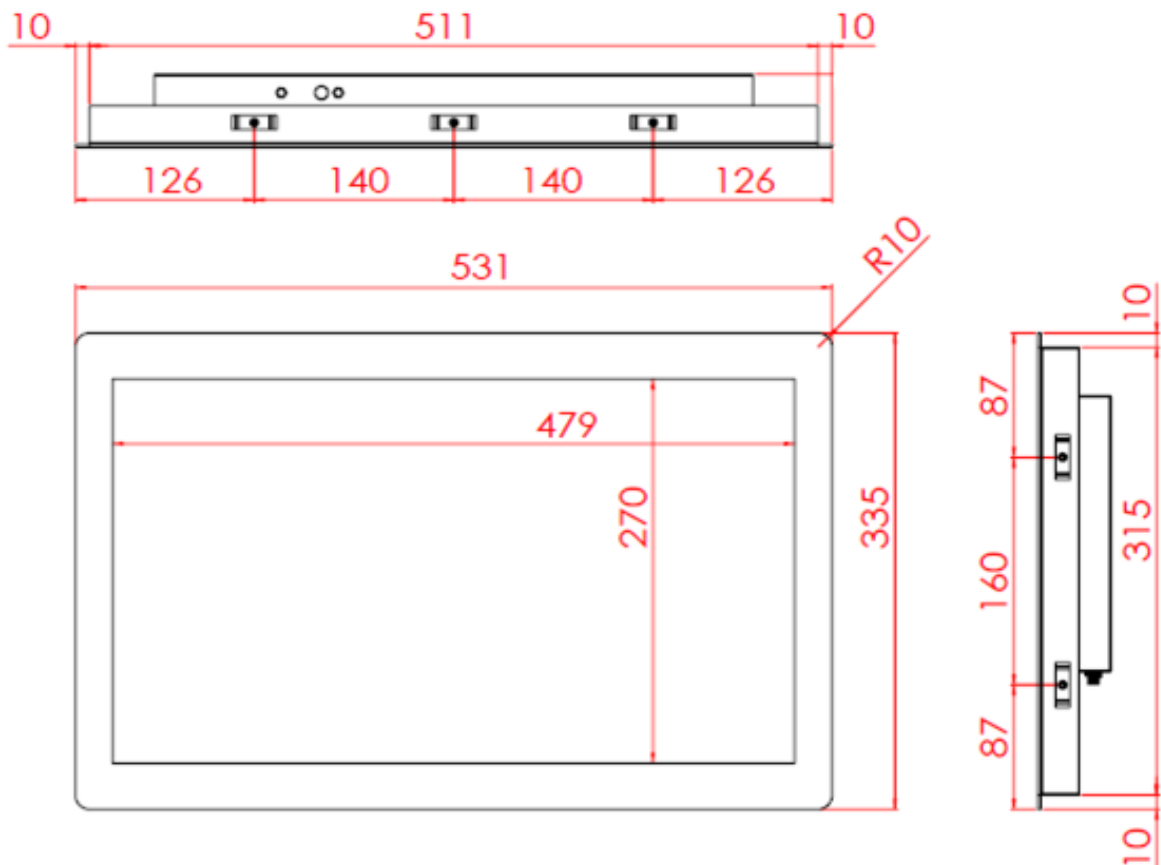
Dimension for Installing with Open-frame Brackets



Panel Mount Kits (Option)

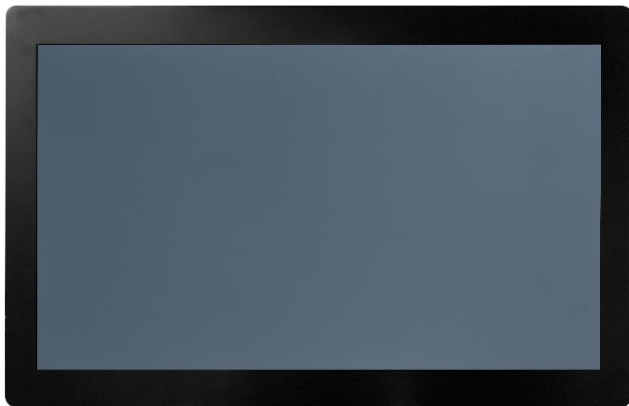
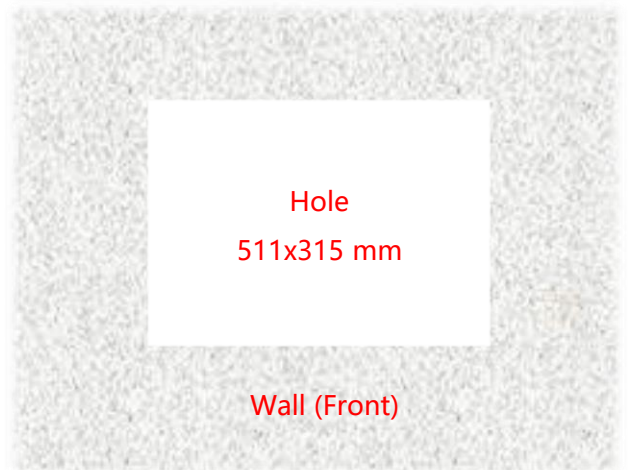


Dimension for Installing with Panel Mount Kits

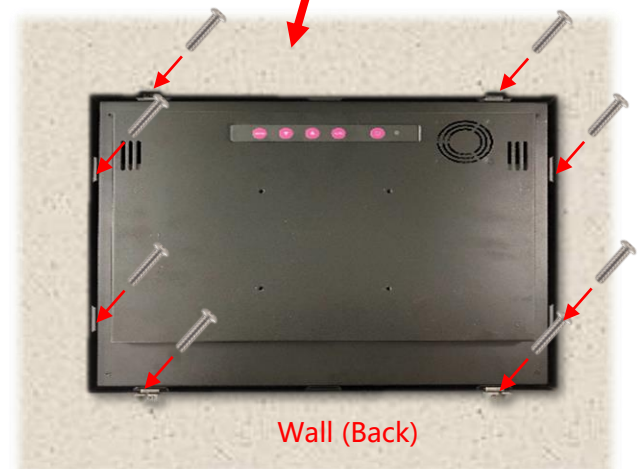




Step 1: Assemble the front module with the screen body. (This step is pre-assembled at the factory.)

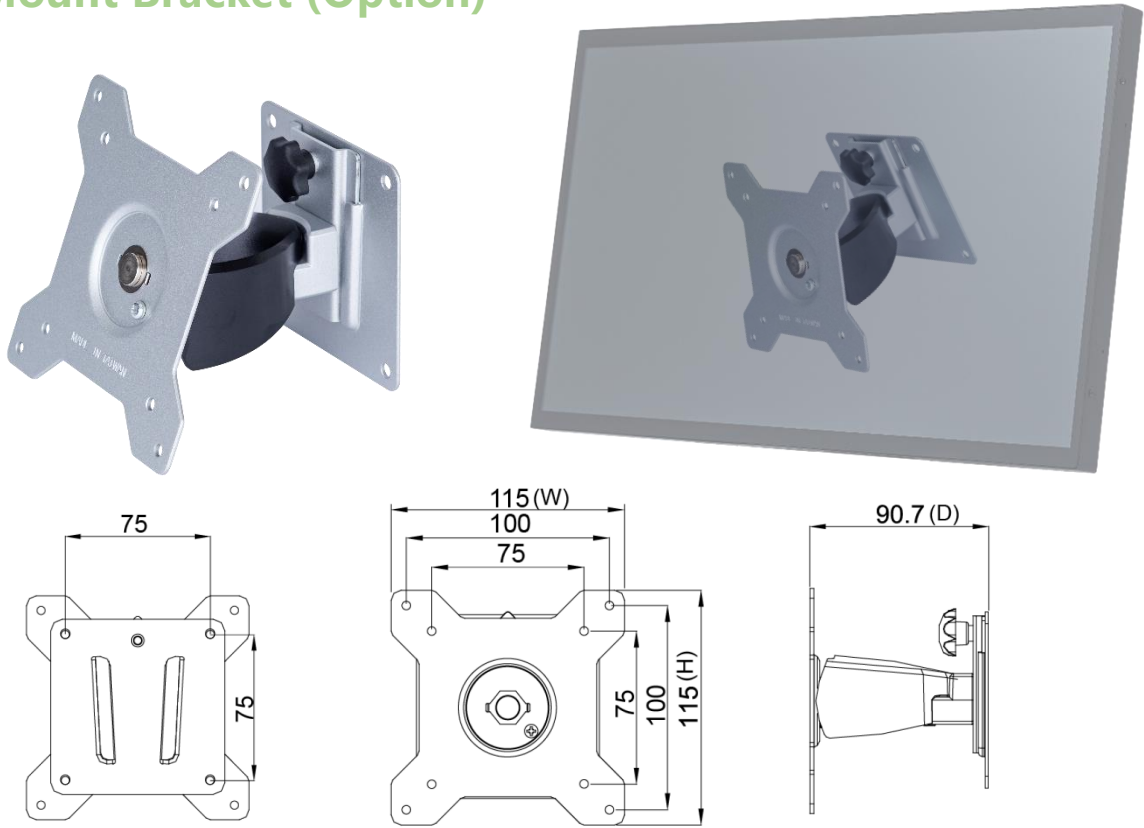


Step 2: Insert the screen from the front into the pre-cut opening.



Step 3: Attach the clips from the back and secure with screws. (Up to 10 clips can be installed as needed or per positional limitations.)

Wall Mount Bracket (Option)



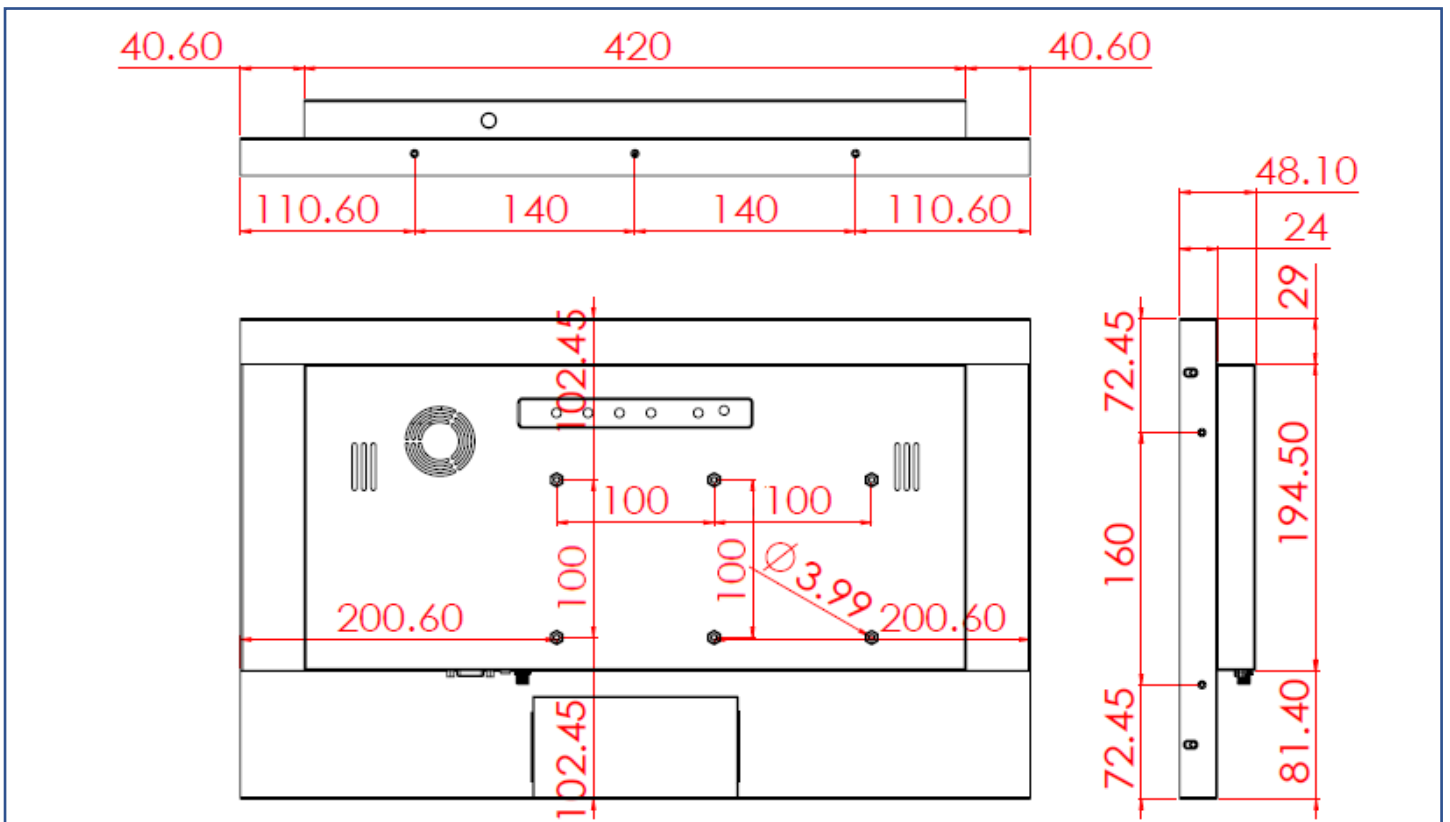
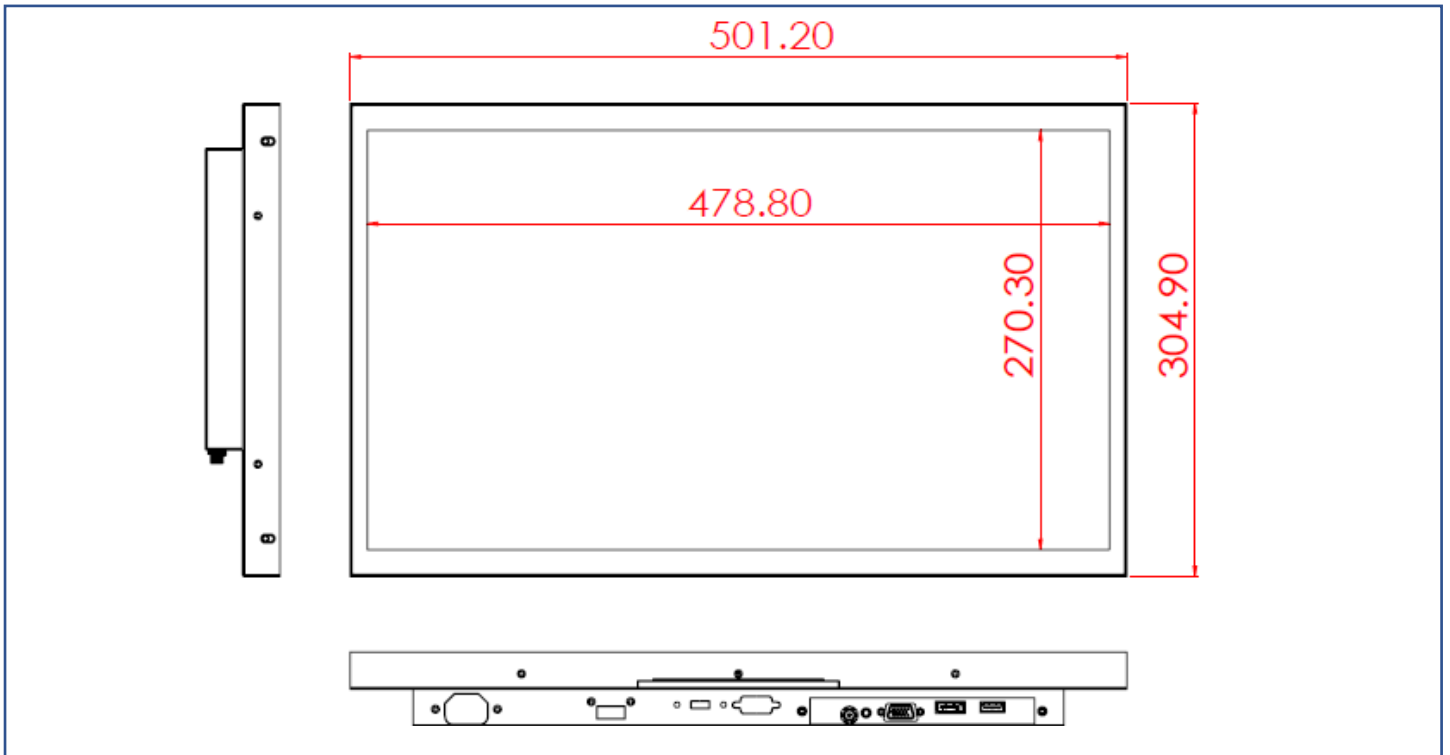
Packing Information



Unit Carton Size	677x161x440 mm
Unit N. Weight	≤4.8 KG
Unit G. Weight	≤6.9 KG
Units per Pallet	30 units
Pallet Size	120x100x147 CM

Physical Specifications

Dimension (Max)	501x305x48(±2)mm	Net Weight	≤ 4.8 KG
VESA Mounting	100x100 mm	Gross Weight	≤ 6.9 KG



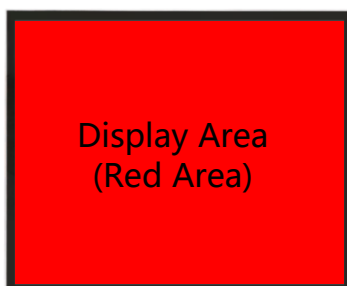
Cosmetic Inspection Standard

Display Area Allowance			
Defect description	Defective Specifications	Allowance	Remarks
Dot Defect (including dark dot, particles, bubbles, pits, dust, foreign matter)	$D \leq 0.2\text{mm}$	Ignored	D=Diameter
	$0.2 < D \leq 0.7\text{mm}$	$N \leq 5$	N=Quantity
	$0.7 < D \leq 1\text{mm}$	$N \leq 3$	
	$D > 1\text{mm}$	$N \leq 0$	
Linear Defect (including scratches, fluff, particles)	$W \leq 0.15\text{mm}$	Ignored	W=Width
	$0.15 < W \leq 0.5\text{mm}, L \leq 15\text{mm}$	$N \leq 2$	L=Length
	$W > 0.5\text{mm}$ or $L > 15\text{mm}$	NG	

* Visual inspection distance: 60cm, 90 degree (same for front/side/back)

Front Appearance Allowance (Including Coating)			
Defect description	Defective Specifications	Allowance	Remarks
Dot Defect (including particles, bubbles, pits...etc.)	$D \leq 0.7\text{mm}$	Ignored	D=Diameter
	$0.7 < D \leq 1.5\text{mm}$	$N \leq 3$	N=Quantity
	$D > 1.5\text{mm}$	$N \leq 0$	
Linear Defect (including scratches, fluff, particles)	$W \leq 0.2\text{mm}, L \leq 15\text{mm}$	Ignored	W=Width, L=Length
	$0.2 < W \leq 0.7\text{mm}, L \leq 15\text{mm}$	$N \leq 1$	
	$W > 0.7\text{mm}$ or $L > 15\text{mm}$	NG	

Side / Back Appearance Allowance (Including Coating)			
Defect description	Defective Specifications	Allowance	Remarks
Dot Defect (including particles, bubbles, pits...etc.)	$D \leq 1.5\text{mm}$	Ignored	D=Diameter
	$1.5 < D \leq 3\text{mm}$	$N \leq 8$	N=Quantity
	$D > 3\text{mm}$	$N \leq 2$	
Linear Defect (including scratches, fluff, particles)	$W \leq 0.8\text{mm}, L \leq 15\text{mm}$	Ignored	W=Width, L=Length
	$0.8 < W \leq 1.5\text{mm}, L \leq 15\text{mm}$	$N \leq 5$	
	$W > 1.5\text{mm}$ or $L > 15\text{mm}$	NG	



Display Area
(Red Area)



Front Appearance (Red Area)



Back Appearance