

Product Specifications

Customer	
Model	NTSP240 V400



Records of Revision			
Vision	Modifying	Old Description	New Description
v1810.1	Preliminary specification		
v1810.2	Format Updated		
v1810.3	Format Updated		
v1810.4	Revise [Display Area] of [Physical Specifications]	345mm	532mm
v1810.5	1. Add Antibacterial Film Option 2. Add Color Options		
v1810.6	Modify Packing for Saving Shipping Cost		
v1810.7	1. Modify the model no.1000nits 2. Remove 600nits Option 3. Adjust the format	NTSM240A0-2X0XXXX-400	NTSM240A0-1X0XXXX-400
V1810.8	Replace the Wall Mount		

Features

- ★ 24" , 16:9/1920x1080 (FHD) Resolution
- ★ True Flat Projected Capacitive Touch Screen
- ★ 7H Hardness Tempered Cover Glass
- ★ 10 points Multi-touch , Supports Active Stylus
- ★ Metal Cabinet with Diverse Combine Options
- ★ Made in Taiwan, 3 Years Warranty
- ★ Designed for Harsh Environments
- ★ Optional High Brightness/Sunlight Readable
- ★ Optional 100~240VAC and 9~36VDC Power Input
- ★ Optional Video Input (VGA/DVI/HDMI/DP)
- ★ Optional Software Remote Control by RS232
- ★ Optional Auto Dimming Function (with Light Sensor)
- ★ Optional AG/AR/AF/AS Film
- ★ **Optional Antibacterial Film Option, disinfects 99.99% of Harmful Bacteria**



Desktop Stand



Side Brackets



Wall Mounting



PSE



BSMI



FCC



CE



RoHS



ISO9001

Display Specifications

Model Name	NTSP240XP-1XXXXXX-400*	Display Mode	TN Type, Normally White
Screen Diagonal	609.7mm (24.0 inch)	Response Time	5 msec.
Display Area	531.36x298.89 mm	Backlight Unit	LED (white LED)
Resolution	1920x1080 (FHD)	Viewing Angle (L/R, U/D)	170°/160° (CR=10)
Contrast Ratio	1000:1	Backlight Lifetime	30000 HRS
Display Ratio	16:9	Operating Temp.	0~50°C
Support Color	16.7 M colors	Storage Temp.	-20~60°C
Pixel Pitch	276.75x276.75 um	Surface Treatment	Anti-glare, Hardness 3H

* X = A~Z, 0~9 (Depends on options)

Touch Specifications

Touch Technology	Projected Capacitive	Transparency	≥86%
Allowed Touch Points	10 points	Accuracy	99.00%
Interface	USB/RS232 (Optional)	Thickness of Cover Lens	2.9±0.2mm
Hardness of Cover Lens	7H	Impact Protection Rating	IK07





General Options

Brightness			
	Brightness	Environment	Model Name
Standard	250nits	General (Indoor Environment)	NTSP240NP-1XXXXXX-400
Option 1	1000nits	Outdoor Environment	NTSP240AP-1XXXXXX-400
Option 2	1500nits	Sunlight Readable	NTSP240FP-2XXXXXX-400*

* Check the data sheet NTSP240-2

Color of Cabinet		
	Description	Model Number
標準	黑色	NTSP240XP-1BXXXXX-400
選項 1	白色	NTSP240XP-1WXXXXX-400
選項 2	銀色	NTSP240XP-1SXXXXX-400
其他選項	其他顏色	NTSP240XP-1XXXXXX-400

* X = A~Z, 0~9(Depends on Color)

Touch Interface		
	Description	Model Number
Standard	USB 2.0 Type A	NTSP240XP-1XUXXXX-400
Option	RS232	NTSP240XP-1XRXXXX-400

Material of Cabinet		
	Description	Model Number
Standard	Galvanized steel (SECC)	NTSP240XP-1XXSXXX-400
Option 1	Stainless Steel	NTSP240XP-1XXLXXX-400
Option 2	Aluminum	NTSP240XP-1XXAXXX-400

General Options (continued)

Cooling Fan		
	Description	Model Number
Standard	Fanless	NTSP240XP-1XXX0XX-400
Option	7 Blades/1.4/4000r.p.m/Max.10.25M/28.dB	NTSP240XP-1XXXFX-400



Video Input		
	Connectors	Model Name
Standard	VGA+DVI	NTSP240XX-1XXXX4X-400
Option 1	VGA+HDMI	NTSP240XX-1XXXX2X-400
Option 2	VGA+HDMI+DP	NTSP240XX-1XXXX3X-400



Standard / VGA+DVI



Option 1 / VGA+HDMI



Option 2 / VGA+HDMI+DP

Power Input		
	Description	Model Number
Standard	12VDC , DC Power Jack Φ2.1mm	NTSP240XX-1XXXXX1-400
Option 1	12VDC , DC Lockable Power Jack Φ 2.1mm	NTSP240XX-1XXXXX2-400
Option 2	9~36VDC, Phoenix Terminal Block	NTSP240XX-1XXXXXP-400
Option 3	100~240VAC, C14 Female Socket	NTSP240XX-1XXXXXA-400



Option 1 / Lockable Power



Option 2 / Phoenix Terminal Block



Option 3 / C14 AC Socket

音源輸出入規格

	Description	Connector
Audio Input	Stereo	TRS Connector Φ3.5mm (Earphone Jack)
Speakers	2W x2	



Supported OS

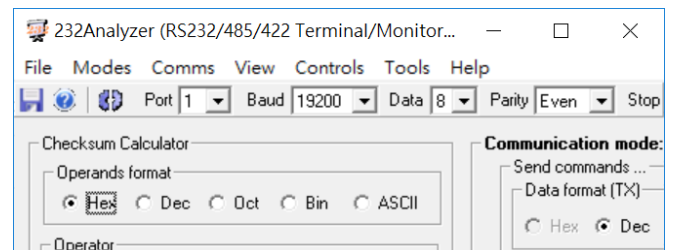
Windows	Win7, Win8, Win10 ↑
Linux	Kernel 2.6.24 ↑
Android	3.0 ↑
Mac	10.5.x ↑ (Intel CPU)

Accessories

Item	Description	Quantity
VGA Cable	D-Sub 15Pin Male to Male, 1.2 Meter	1
Audio cable	3.5mm Headset Jack, Male to Male, 1.2 Meter	1
AC-DC Adapter	4.16A/12V with CE/FCC/CCC/UL/RoHS/PSE/JET Certification	1
Power cord	*Country Specific	1
USB Cable	A type, Male to Male, 1.5 Meter *(only for touch monitor)	1

Other Options

OSD Control		
	Item	Description
Standard	Button	Rear Physical Button
Option 1	Software Remote Control	Software Remote Control by RS232/Serial Port
Option 2	Auto Dimming	Auto Brightness Adjusting by Built-in Light Sensor



* Software Remote Control

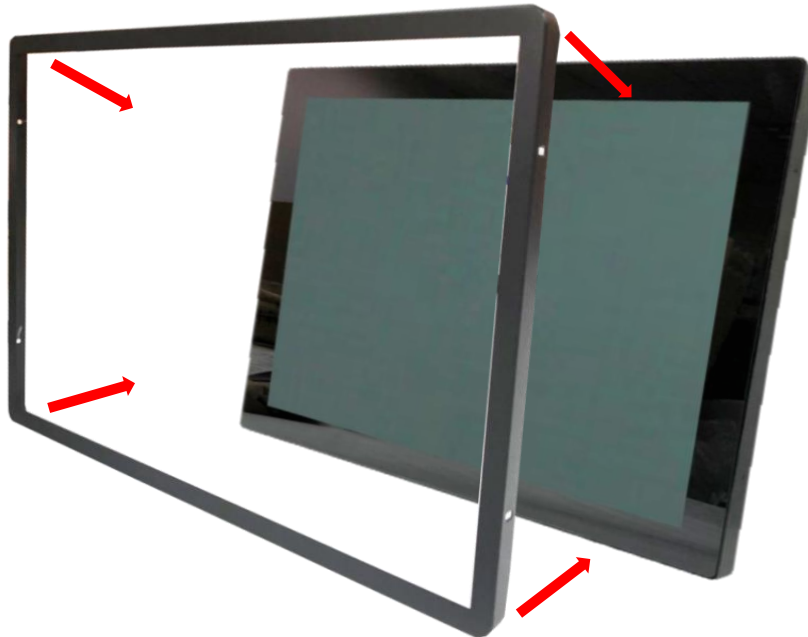
Active Stylus Option	
Technology	Active Capacitive Coupled
Working Frequencies	90~250 KHZ
Pressure Level	256~1024 Levels
Side Buttons	2 Side Buttons (Eraser, Barrel)
Active Tip Force	5~25g
Max. Tip Force	400g



Surface Film Options	
Standard	(none)
Option	Antibacterial (AB Film)
Option	Anti-Glare (AG Film)
Option	Anti-Reflective (AR Film)
Option	Anti-Fouling/Fingerprint (AFP Film)
Option	Anti-Spy (AS Film)
Option	UV-Cut (UV Film)



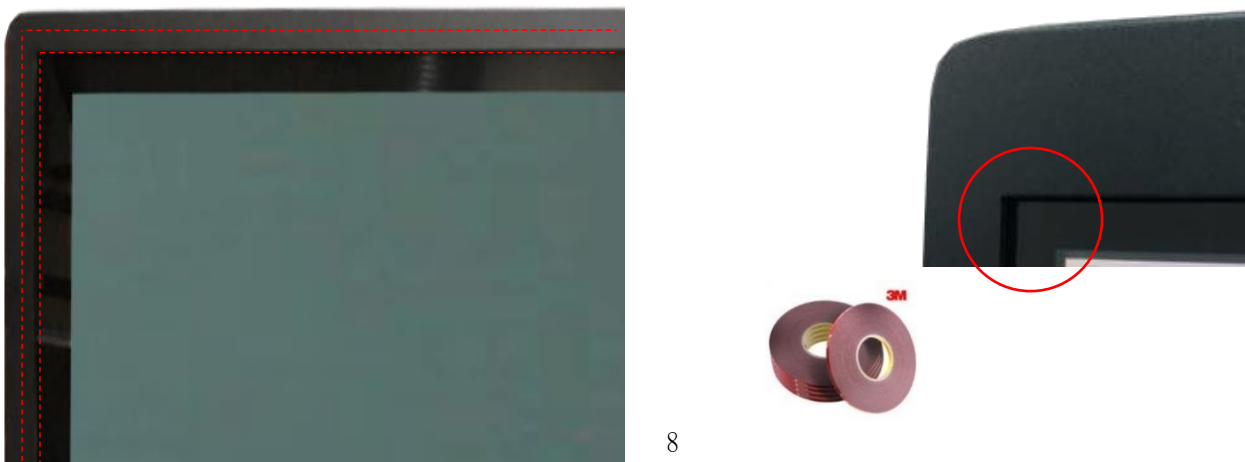
Optional Accessories (Front Cover)



The standard **NTSP240** is true flat surface, with only 1mm metal bezel.
To protect the corners of the touch screen, the **Front Cover** can be added.

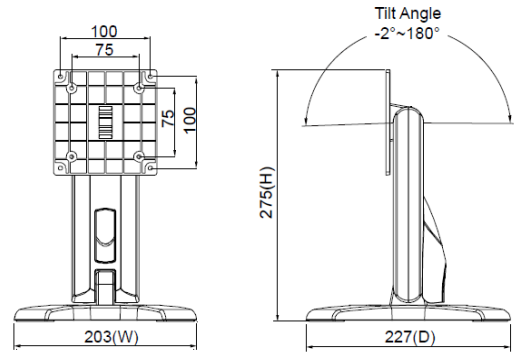


The watertight gasket can be added between the **Front Cover** and **NTSP240**.
It complies IP65 on front.

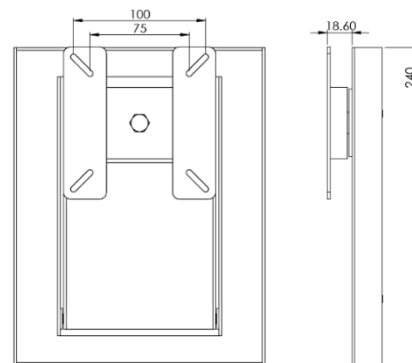


Optional Accessories (Desktop Stand)

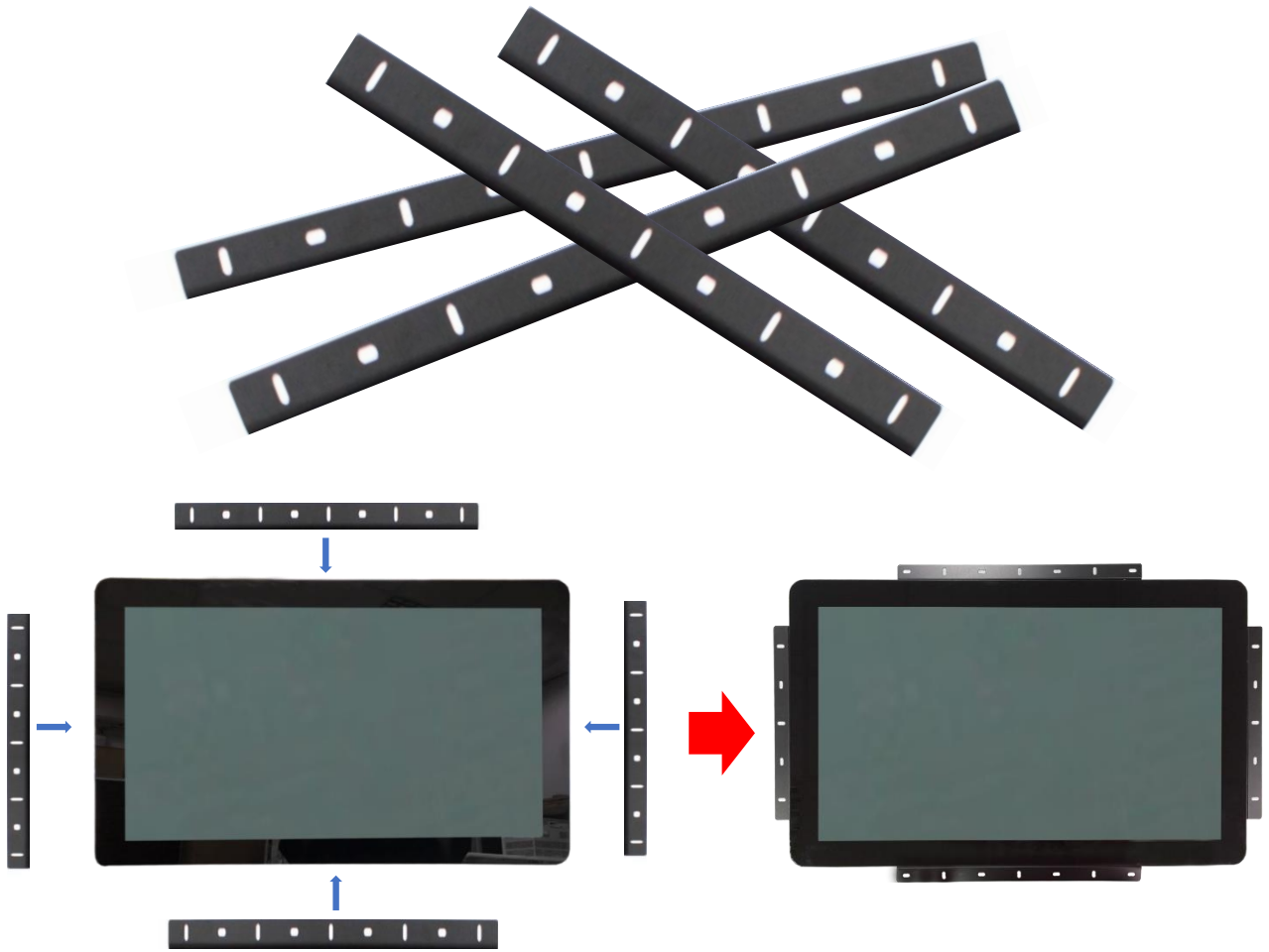
Item	B Stand	Part No.	DST-0B002/DST-1B002
Mounting Pattern	100x100 / 75x75 mm	Dimension (WxHxD)	203x275x227 mm
Material	Steel/Plastic/Aluminum	Net Weight	1.8 KG
Tile(Hinge)	-2° ~+180°	Support Max. Weight	15 KG



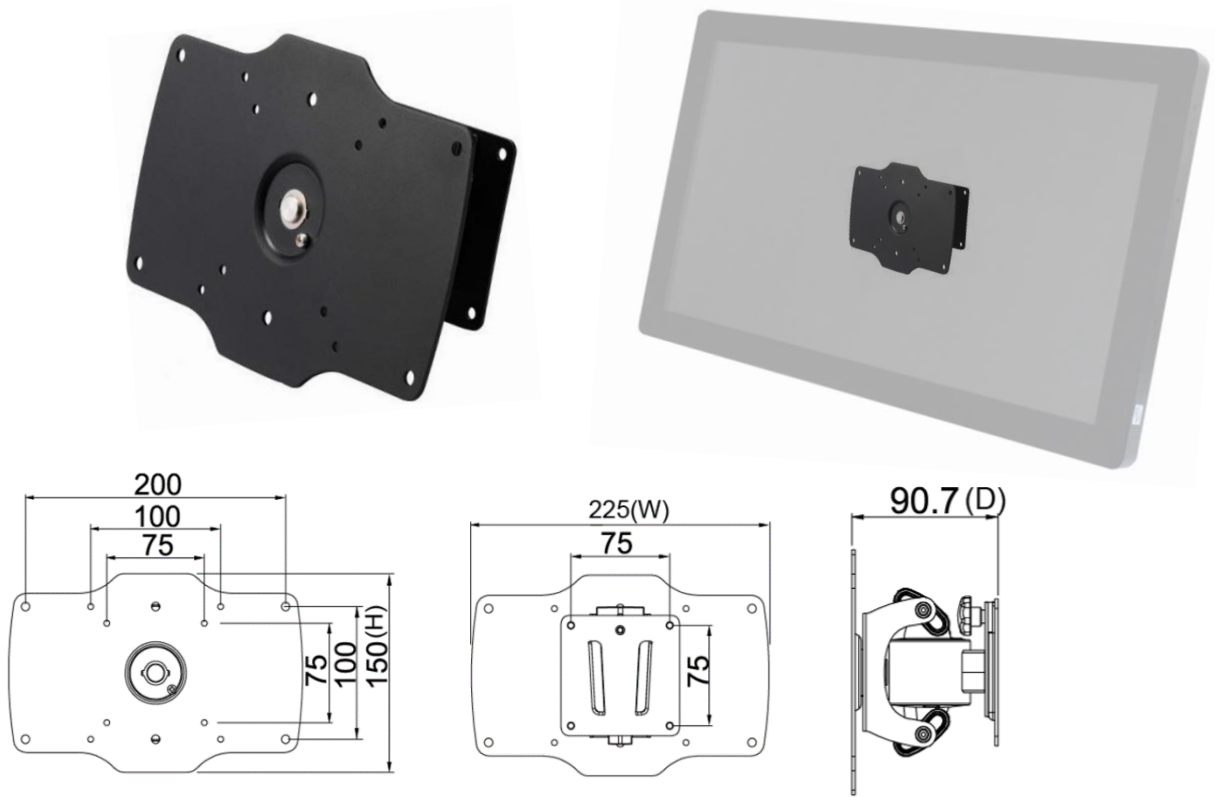
Item	Z Stand	Part No.	DST-0BZ01/DST-1BZ01
Mounting Pattern	100x100 / 75x75 mm	Dimension (WxHxD)	190x240x41.6
Material	SECC	Net Weight	2.6 KG
Tile (Hinge)	±360°	Support Max. Weight	15 KG



Optional Accessories (Open-frame Brackets)



Optional Accessories (Wall Mount Bracket)



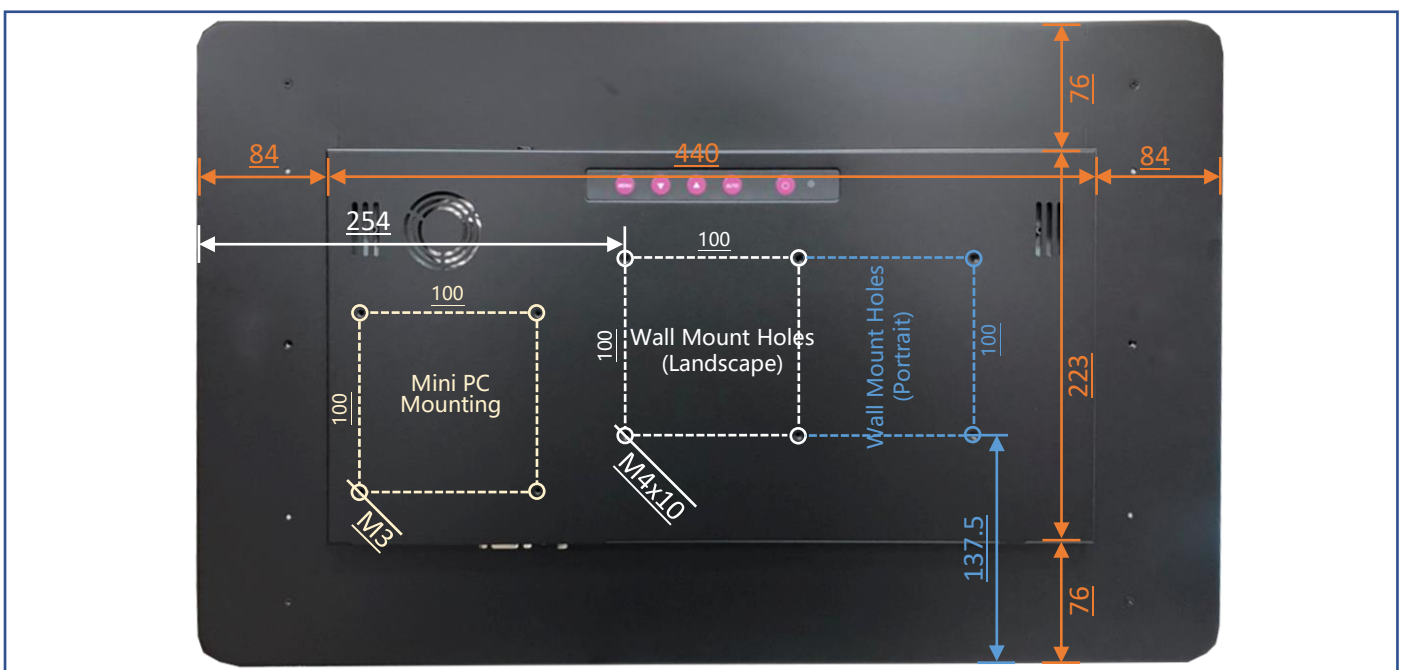
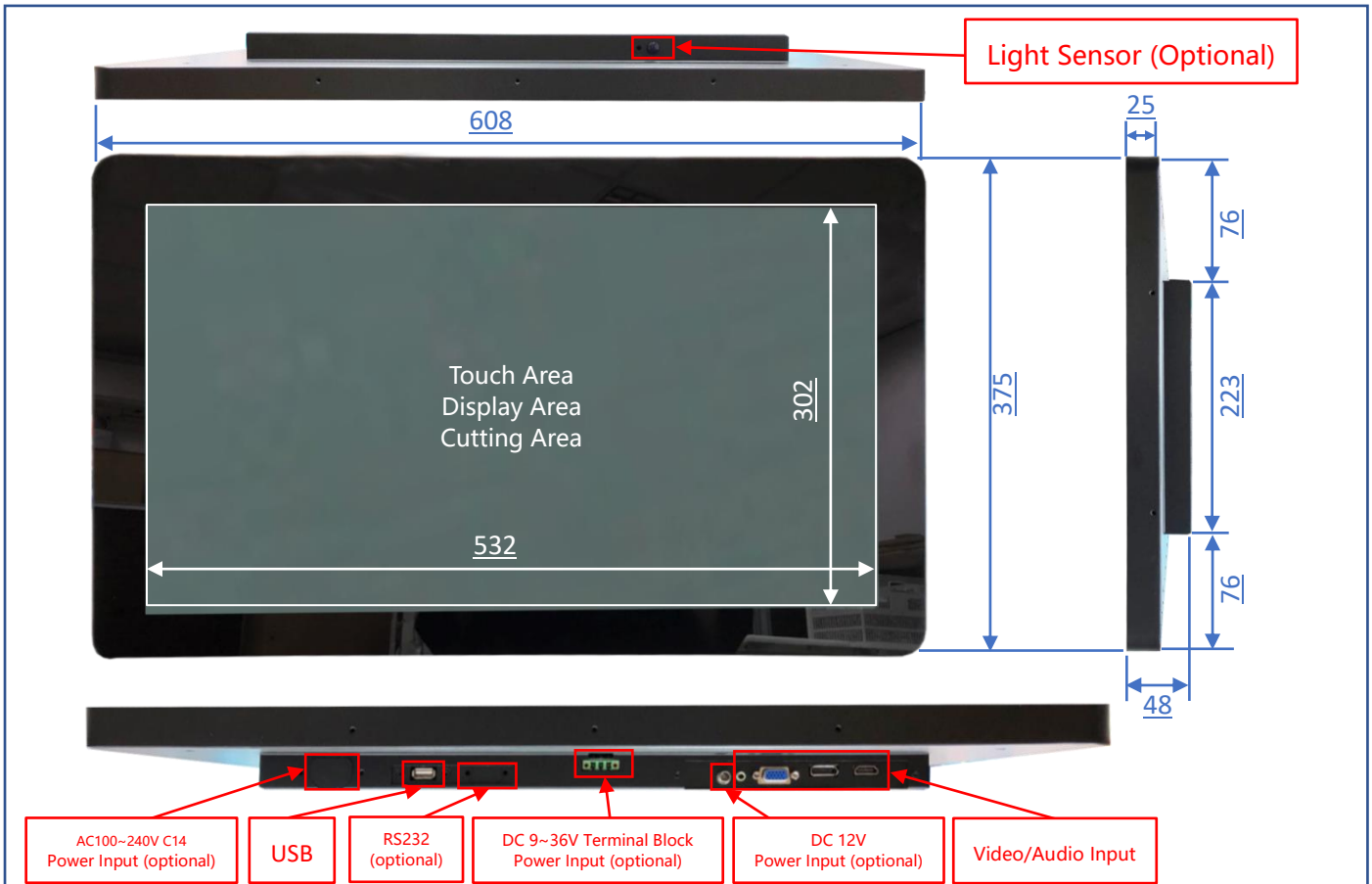
Packing Information



Dimensions of Carton	751x170x518 mm
Net Weight	≤7.5 KG
Gross Weight	≤10.3 KG

Physical Specifications

Dimension (Max)	608x375x48(±1)mm	Net Weight	≦ 7.5 KG
VESA Mounting	100x100 mm	Gross Weight	≦ 10.3 KG



Optional Accessories (Desktop Stand or Arm)



- 273x180x265 mm
 - 1.07 KG
 - Support 12 KG



- 620x556x123 mm
 - 3 KG
 - Support 10 KG



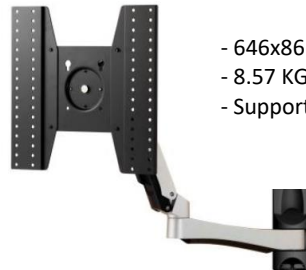
- 250x192x445 mm
 - 1.4 KG
 - Support 12 KG



- 655x858.5x563 mm
 - 7.56 KG
 - Support 30 KG



- 158x403x144 mm
 - 2.12 KG
 - Support 12 KG



- 646x861x953.5 mm
 - 8.57 KG
 - Support 30 KG



- 423x403x240 mm
 - 1.91 KG
 - Support 12 KG



- 1300x403x307 mm
 - 5.3 KG
 - Support 8 KG (2.7 KG Each)



- 715x393x144 mm
 - 3.68 KG
 - Support 12 KG (6 KG Each)

