

Product Specifications

Customer	
Model	NTSP240-2 V400



Records of Revision			
Vision	Modifying	Old Description	New Description
v1810.1	Preliminary specification		
v1810.2	Format Updated		
v1810.3	Format Updated		
v1810.4	Revise [Display Area] of [Physical Specifications]	345mm	532mm
v1810.5	1. Add Antibacterial Film Option 2. Add Color Options		
v1810.6	Modify Packing for Saving Shipping Cost		
v1810.7	Replace the Wall Mount		

Features

- ★ 24" , 16:9/1920x1080 (FHD) Resolution
- ★ VA Wide Viewing Angle Technology (178°/178°)
- ★ Operating Temperature Range -20~70°C
- ★ True Flat Projected Capacitive Touch Screen
- ★ 7H Hardness Tempered Cover Glass
- ★ 10 points Multi-touch , Supports Active Stylus
- ★ Metal Cabinet with Diverse Combine Options
- ★ Made in Taiwan, 3 Years Warranty
- ★ Designed for Harsh Environments
- ★ Optional High Brightness/Sunlight Readable
- ★ Optional 100~240VAC and 9~36VDC Power Input
- ★ Optional Video Input (VGA/DVI/HDMI/DP)
- ★ Optional Software Remote Control by RS232
- ★ Optional Auto Dimming Function (with Light Sensor)
- ★ Optional AG/AR/AF/AS Film
- ★ **Optional Antibacterial Film Option, disinfects 99.99% of Harmful Bacteria**



Side Brackets



Desktop Stand



Wall Mounting



PSE



BSMI



FCC



CE



RoHS



ISO9001

Display Specifications

Model Name	NTSP240XX-2XXXXXX-400*	Display Mode	VA Mode, Normally Black
Screen Diagonal	609.7mm (24.0 inch)	Response Time	25 msec.
Display Area	531.36x298.89 mm	Backlight Unit	LED (white LED)
Resolution	1920x1080 (FHD)	Viewing Angle (L/R, U/D)	178°/178° (CR=10)
Contrast Ratio	5000:1	Backlight Lifetime	50000 HRS
Display Ratio	16:9	Operating Temp.	-20~70°C
Support Color	16.7M Colors	Storage Temp.	-30~80°C
Pixel Pitch	276.75x276.75 um	Surface Treatment	Anti-glare, Hardness 3H

* X = A~Z, 0~9 (Depends on options)

Audio System

	Description	Connector
Audio Input	Stereo	TRS Connector Φ3.5mm (Earphone Jack)
Speakers	2W x2	



Supported OS

Windows	Win7, Win8, Win10 ↑
Linux	Kernel 2.6.24 ↑
Android	3.0 ↑
Mac	10.5.x ↑ (Intel CPU)

General Options

Brightness			
	Brightness	Environment	Model Name
Standard	300nits	General (Indoor Environment)	NTSP240<u>N</u>X-2XXXXXX-400
Option 1	1000nits	Outdoor Environment	NTSP240 <u>A</u> X-2XXXXXX-400
Option 2	1500nits	Sunlight Readable	NTSP240 <u>F</u> X-2XXXXXX-400

Video Input		
	Connectors	Model Name
Standard	VGA+DVI	NTSP240XX-2XXXX<u>1</u>X-400
Option 1	VGA+HDMI	NTSP240XX-2XXXX <u>2</u> X-400
Option 2	VGA+HDMI+DP	NTSP240XX-2XXXX <u>3</u> X-400



Standard / VGA+DVI



Option 1 / VGA+HDMI



Option 2 / VGA+HDMI+DP

Power Input		
	Description	Model Number
Standard	12VDC , DC Power Jack Φ2.1mm	NTSP240XX-2XXXX<u>1</u>-400
Option 1	12VDC , DC Lockable Power Jack Φ 2.1mm	NTSP240XX-2XXXX <u>2</u> -400
Option 2	9~36VDC, Phoenix Terminal Block	NTSP240XX-2XXXX <u>P</u> -400
Option 3	100~240VAC, C14 Female Socket	NTSP240XX-2XXXX <u>A</u> -400



Option 1 / Lockable Power Jack



Option 2 / Phoenix Terminal Block



Option 3 / C14 AC Socket

General Options (Continued)

Material of Cabinet		
	Description	Model Name
Standard	Galvanized steel (SECC)	NTSP240XX-2XX<u>S</u>XXX-400
Option 1	Stainless Steel	NTSP240XX-2XX <u>L</u> XXX-400
Option 2	Aluminum	NTSP240XX-2XX <u>A</u> XXX-400

Color of Cabinet		
	Description	Model Name
Standard	Black	NTSP240XX-2<u>B</u>XXXXXX-400
Option 1	White	NTSP240XX-2 <u>W</u> XXXXXX-400
Option 2	Sliver	NTSP240XX-2 <u>S</u> XXXXXX-400
Options	Other Color	NTSP240XX-2 <u>X</u> XXXXXX-400

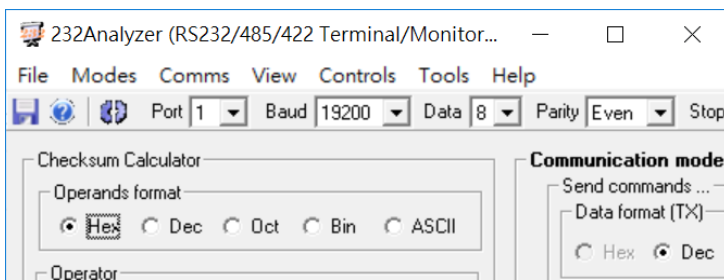
* X = A~Z, 0~9 (Depends on Color)

Cooling Fan		
	Description	Model Number
Standard	Fanless	NTSP240XX-2XXX<u>0</u>XX-400
Option	7 Blades/1.2W/4000r.p.m/Max.10.96CFM/28.3dB	NTSP240XX-2XXX <u>F</u> XX-400

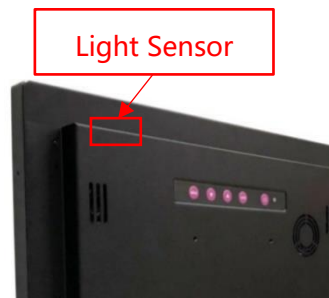
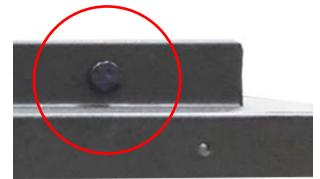


General Options (Continued)

OSD Control		
	Item	Description
Standard	Button	Rear Physical Button
Option 1	Software Remote Control	Software Remote Control by RS232/Serial Port
Option 2	Auto Dimming	Auto Brightness Adjusting by Built-in Light Sensor



* Software Remote Control



Accessories

Item	Description	Quantity
VGA Cable	D-Sub 15Pin Male to Male, 1.2 Meter	1
Audio cable	3.5mm Headset Jack, Male to Male, 1.2 Meter	1
AC-DC Adapter	4.16A/12V with CE/FCC/CCC/UL/RoHS/PSE/JET Certification	1
Power cord	*Country Specific	1
USB Cable	A type, Male to Male, 1.5 Meter *(only for touch monitor)	1

Touch Specifications

Touch Technology	Projected Capacitive	Transparency	≥87%
Allowed Touch Points	10 points	Accuracy	99.00%
Interface	USB/RS232 (Optional)	Thickness of Cover Lens	2.9±0.2mm
Hardness of Cover Lens	7H		



Active Stylus Option	
Technology	Active Capacitive Coupled
Working Frequencies	90~250 KHZ
Pressure Level	256~1024 Levels
Side Buttons	2 Side Buttons (Eraser, Barrel)
Active Tip Force	5~25g
Max. Tip Force	400g

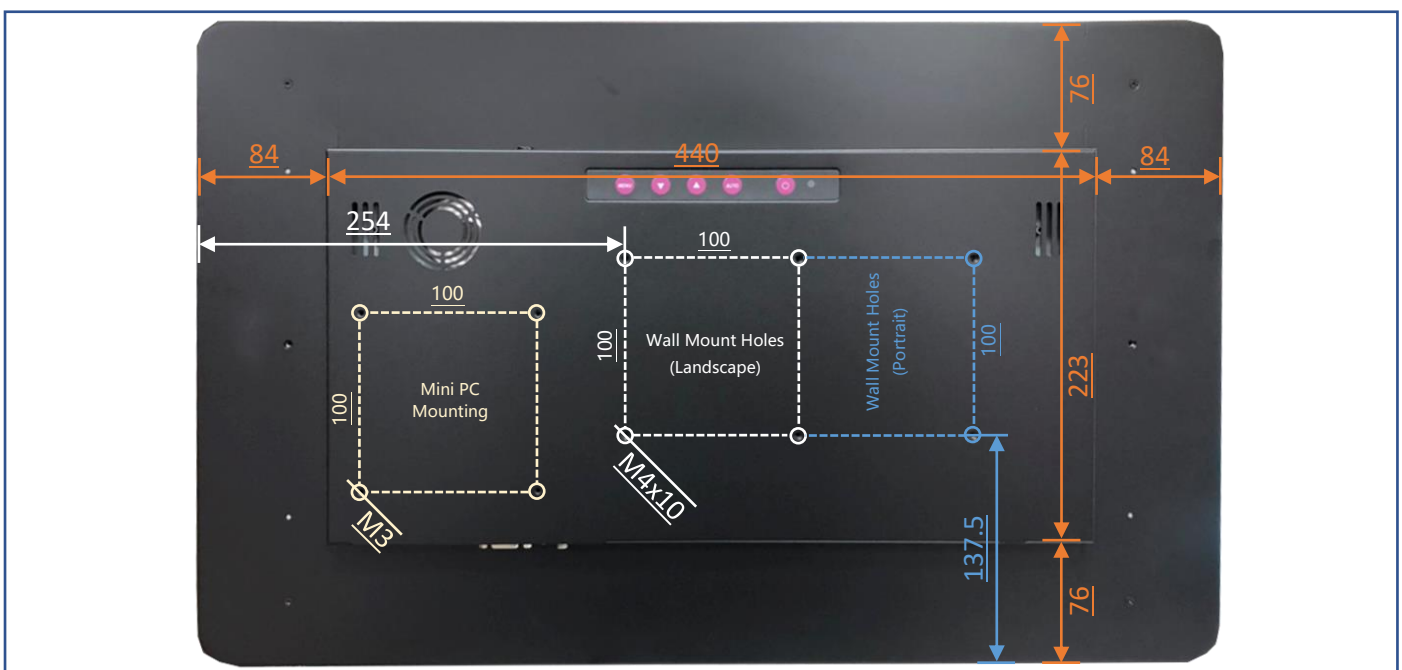
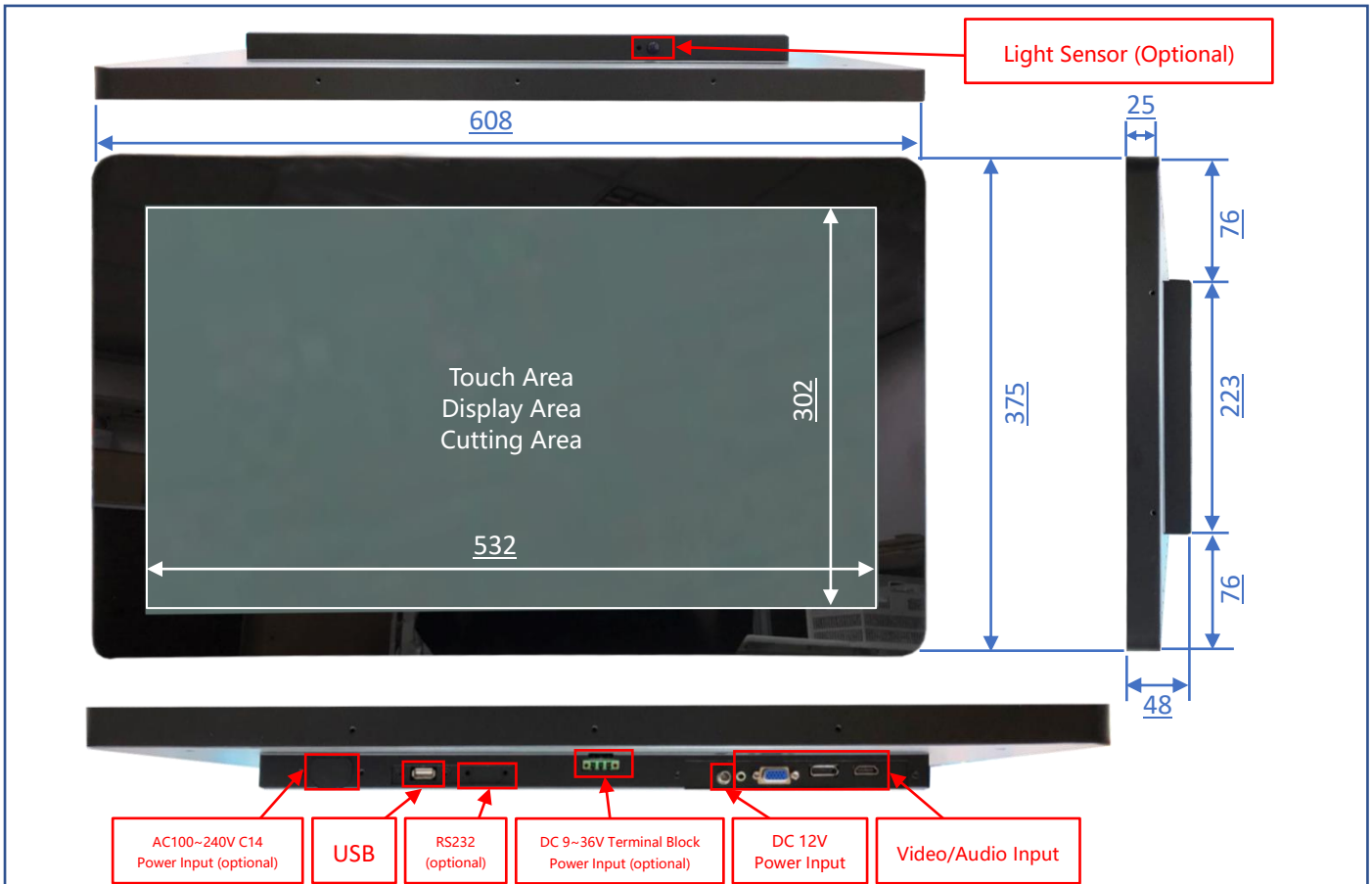


Surface Film Options	
Standard	(none)
Option	Antibacterial (AB Film)
Option	Anti-Glare (AG Film)
Option	Anti-Reflective (AR Film)
Option	Anti-Fouling/Fingerprint (AFP Film)
Option	Anti-Spy (AS Film)
Option	UV-Cut (UV Film)

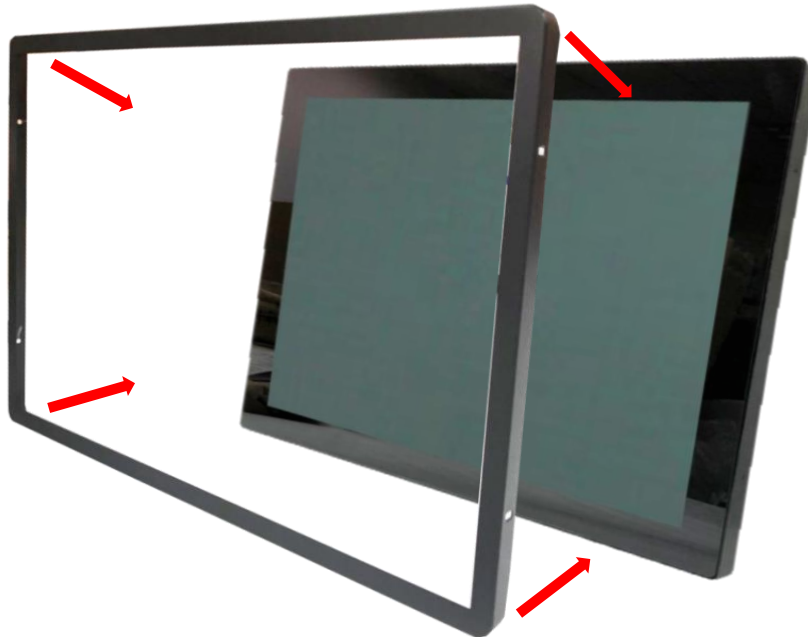


Physical Specifications

Dimension (Max)	608x375x48(±1)mm	Net Weight	≦ 7.5 KG
VESA Mounting	100x100 mm	Gross Weight	≦ 10.3 KG



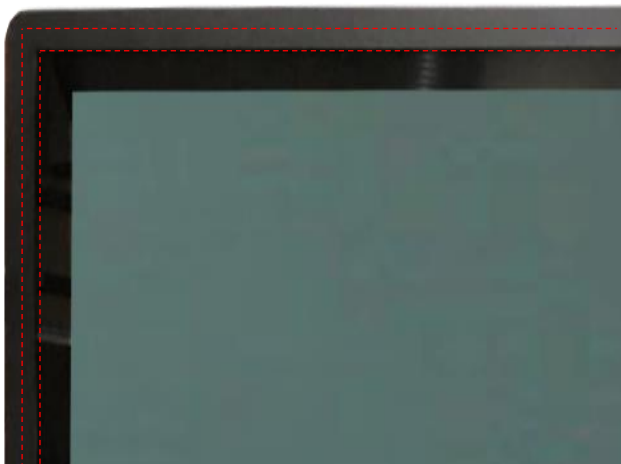
Optional Accessories (Front Cover)



The standard **NTSP240** is true flat surface, with only 1mm metal bezel.
To protect the corners of the touch screen, the **Front Cover** can be added.

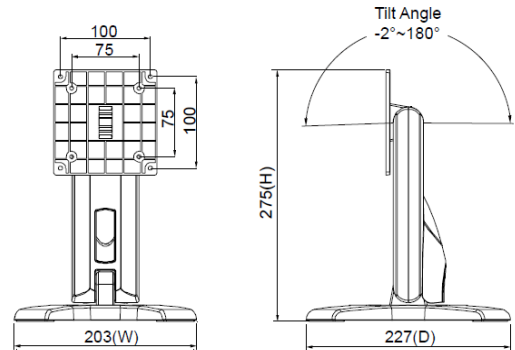


The watertight gasket can be added between the **Front Cover** and **NTSP240**.
It complies IP65 on front.

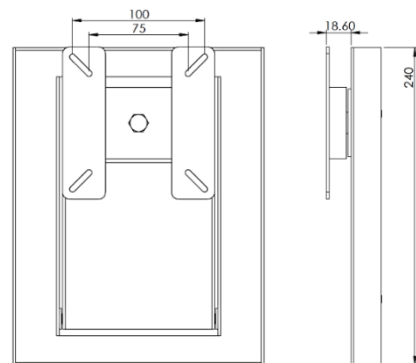


Optional Accessories (Desktop Stand)

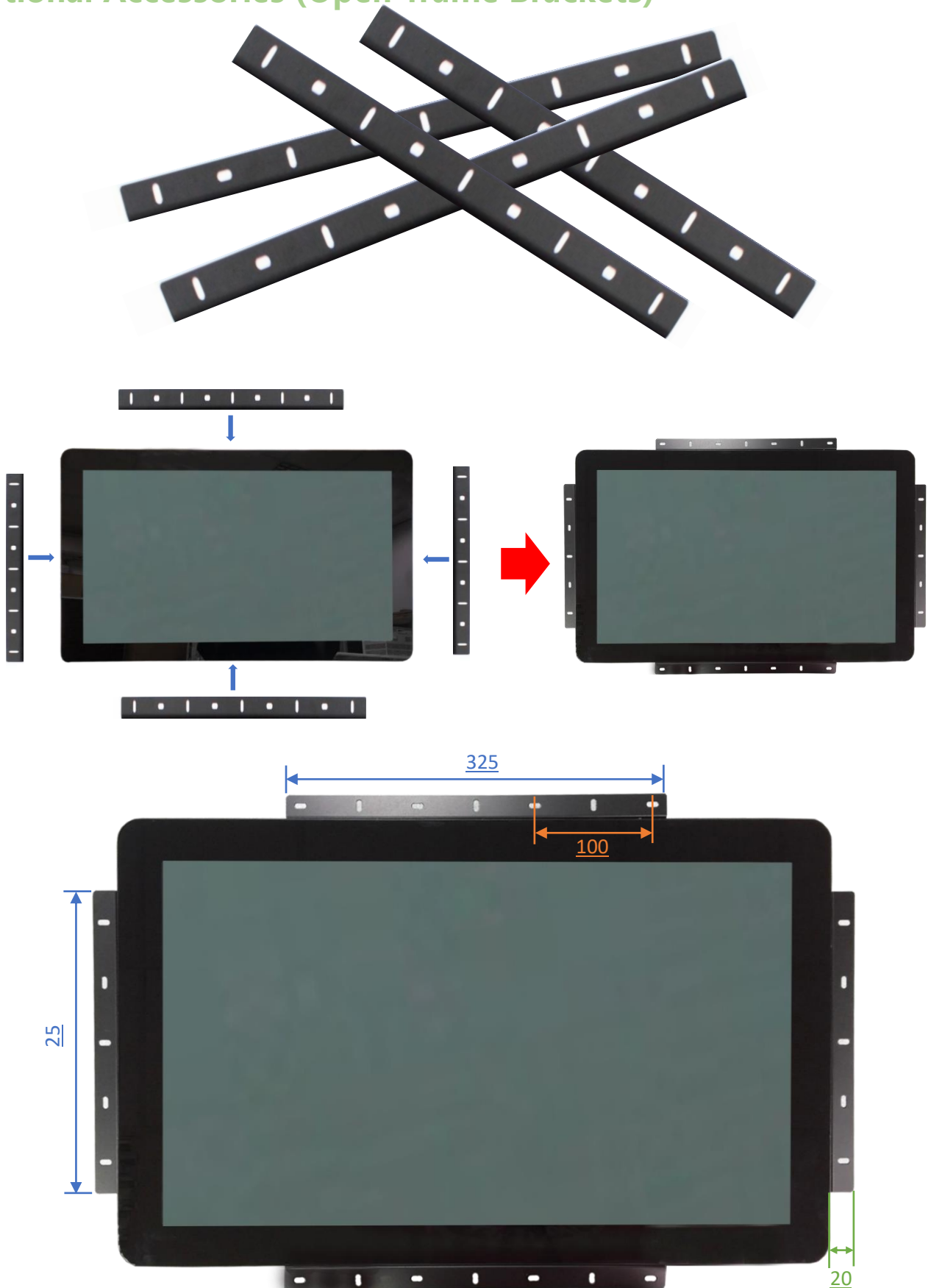
Item	B Stand	Part No.	DST-0B002/DST-1B002
Mounting Pattern	100x100 / 75x75 mm	Dimension (WxHxD)	203x275x227 mm
Material	Steel/Plastic/Aluminum	Net Weight	1.8 KG
Tile(Hinge)	-2° ~+180°	Support Max. Weight	15 KG



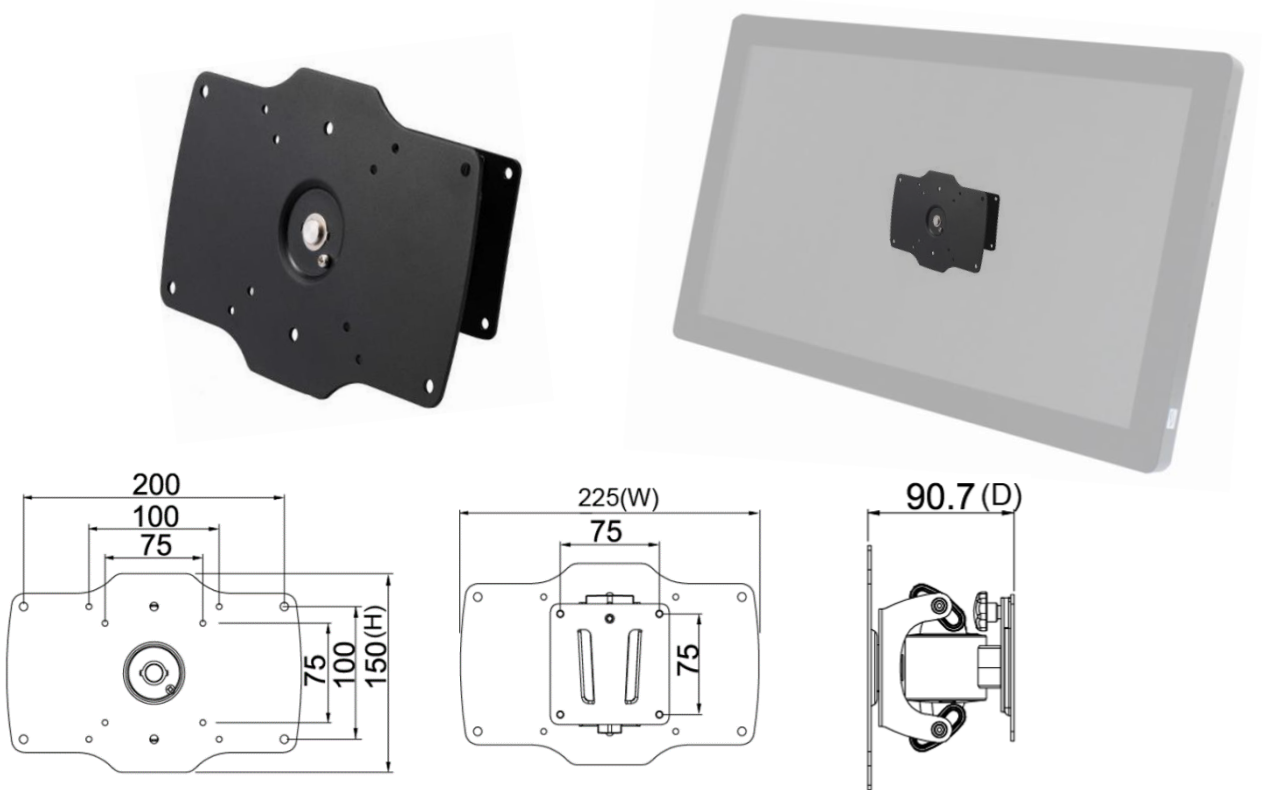
Item	Z Stand	Part No.	DST-0BZ01/DST-1BZ01
Mounting Pattern	100x100 / 75x75 mm	Dimension (WxHxD)	190x240x41.6
Material	SECC	Net Weight	2.6 KG
Tile(Hinge)	±360°	Support Max. Weight	15 KG



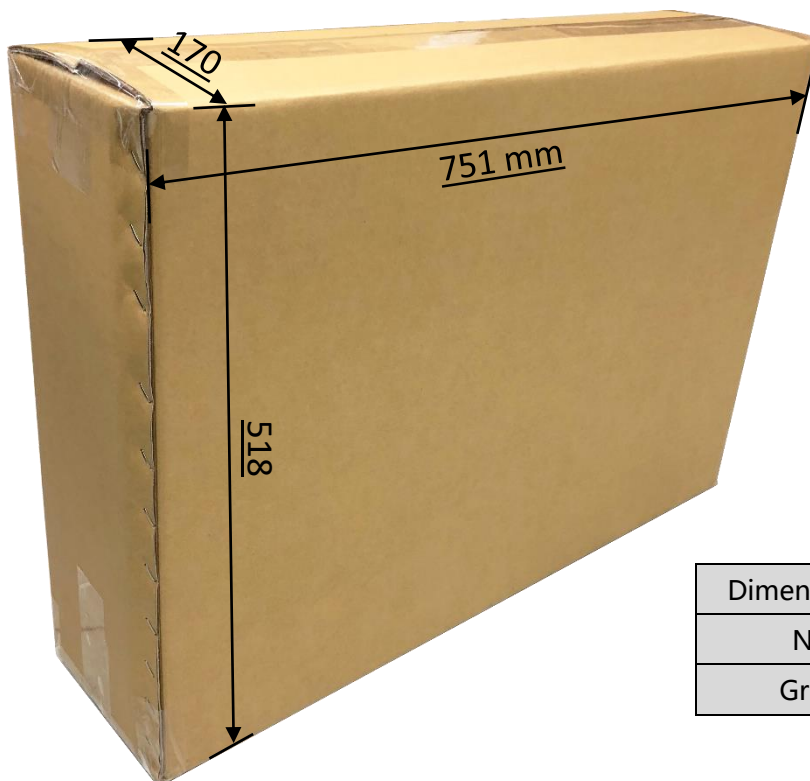
Optional Accessories (Open-frame Brackets)



Optional Accessories (Wall Mount Bracket)



Packing Information



Dimensions of Carton	751x170x518 mm
Net Weight	≤7.5 KG
Gross Weight	≤10.3 KG

Optional Accessories (Desktop Stand or Arm)



- 273x180x265 mm
 - 1.07 KG
 - Support 12 KG



- 620x556x123 mm
 - 3 KG
 - Support 10 KG



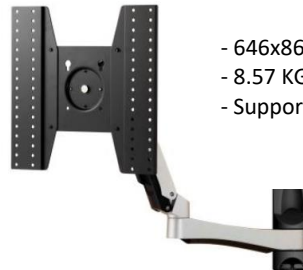
- 250x192x445 mm
 - 1.4 KG
 - Support 12 KG



- 655x858.5x563 mm
 - 7.56 KG
 - Support 30 KG



- 158x403x144 mm
 - 2.12 KG
 - Support 12 KG



- 646x861x953.5 mm
 - 8.57 KG
 - Support 30 KG



- 423x403x240 mm
 - 1.91 KG
 - Support 12 KG



- 1300x403x307 mm
 - 5.3 KG
 - Support 8 KG (2.7 KG Each)



- 715x393x144 mm
 - 3.68 KG
 - Support 12 KG (6 KG Each)

