



Product Specifications

Customer	
Model	NTSP320 V400



Records of Revision			
Vision	Modifying	Old Description	New Description
v1808.1	Preliminary Specifications		
v1808.2	Format Updated		
v1808.3	Format Updated		
v1808.4	Add Color Options		

Features

- ★ 32" , 16:9/1920x1080 (FHD) Resolution
- ★ VA Technology, Wide Viewing Angle (178°/178°)
- ★ True Flat Projected Capacitive Touch Screen
- ★ 7H Hardness Tempered Cover Glass
- ★ 10 points Multi-touch , Supports Active Stylus
- ★ Metal Cabinet with Diverse Combine Options
- ★ Made in Taiwan, 3 Years Warranty
- ★ Designed for Harsh Environments
- ★ Optional High Brightness/Sunlight Readable
- ★ Optional Video Input (VGA/DVI/HDMI/DP)
- ★ Optional Software Remote Control by RS232
- ★ Optional Auto Dimming Function (with Light Sensor)



PSE



BSMI



FCC



CE



RoHS



ISO9001

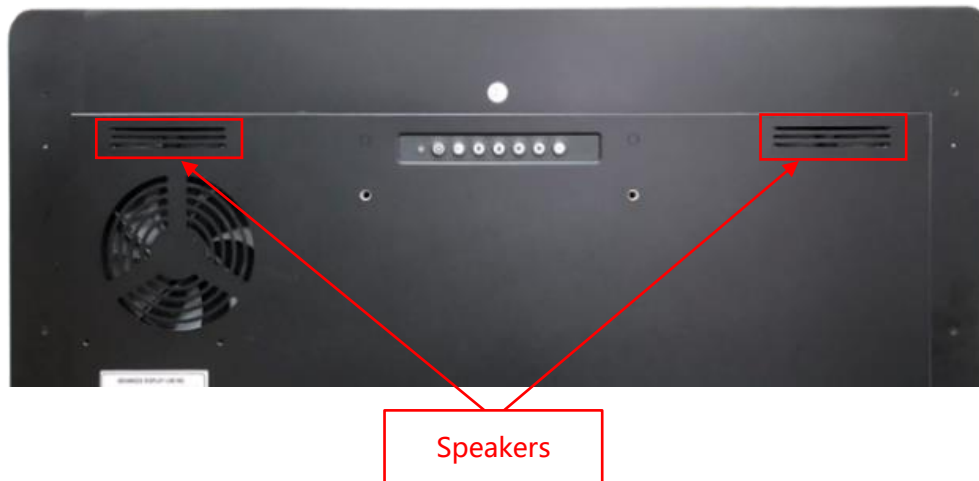
Display Specifications

Model Name	NTSP320XX-XXXXXXA-400*	Display Mode	VA Type, Normally Black
Screen Diagonal	31.5 inch	Response Time	8 msec.
Display Area	698.4x392.9 mm	Backlight Unit	LED (white LED)
Resolution	1920x1080 (FHD)	Viewing Angle (L/R, U/D)	178°/178° (CR=10)
Contrast Ratio	3000:1	Backlight Lifetime	50000 Hours
Display Ratio	16:9	Operating Temp.	0~50°C
Support Color	16.7M Colors	Storage Temp.	-20~60°C
Pixel Pitch	0.3637x0.3637 mm	Surface Treatment	Anti-glare, Hardness 3H

* X = A~Z, 0~9 (Depends on options)

Audio System

	Description	Connector
Audio Input	Stereo	TRS Connector Φ3.5mm (Earphone Jack)
Speakers	10W x2	
Power Input	100~240VAC	100~240VAC, C14 Female Socket



Supported OS

Windows	Win7, Win8, Win10 ↑
Linux	Kernel 2.6.24 ↑
Android	3.0 ↑
Mac	10.5.x ↑ (Intel CPU)



General Options

Brightness			
	Brightness	Environment	Model Name
Standard	500nits	General (Indoor Environment)	NTSP320<u>N</u>X-<u>1</u>XXXXXA-400
Option 1	1000nits	Outdoor Environment	NTSP320 <u>H</u> X- <u>2</u> XXXXXA-400
Option 2	2500nits	Sunlight Readable	NTSP320 <u>H</u> X- <u>3</u> XXXXXA-400

* Check the data sheets: NTSP320-2, NTSP320-3

Video Input		
	Connectors	Model Name
Standard	VGA+HDMI+DP	NTSP320XX-XXXXX<u>8</u>A-400
Option	VGA+DVI+HDMIx2	NTSP320XX-XXXXX <u>A</u> A-400

Material of Cabinet		
	Description	Model Name
Standard	Galvanized steel (SECC)	NTSP320XX-XXX<u>S</u>XXX-400
Option 1	Stainless Steel	NTSP320XX-XXX <u>L</u> XXX-400
Option 2	Aluminum	NTSP320XX-XXX <u>A</u> XXX-400

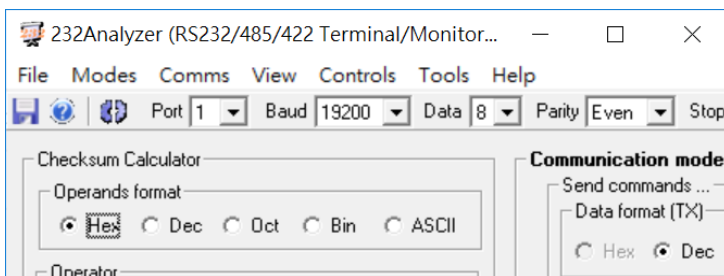
Color of Cabinet		
	Description	Model Name
Standard	Black	NTSP320XX-X<u>B</u>XXXXXX-400
Option 1	White	NTSP320XX-X <u>W</u> XXXXXX-400
Option 2	Sliver	NTSP320XX-X <u>S</u> XXXXXX-400
Options	Other Color	NTSP320XX-X <u>X</u> XXXXXX-400

* X = A~Z, 0~9 (Depends on Color)

General Options

Cooling Fan		
	Description	Model Number
Standard	Fanless	NTSP320XX-XXXX0XX-400
Option	7 Blades/1.92W/12V/1200r.p.m/Max.44.72CFM/25dB	NTSP320XX-XXXXFXX-400

OSD Control		
	Item	Description
Standard	Button	Rear Physical Button
Option 1	Software Remote Control	Software Remote Control by RS232/Serial Port
Option 2	Auto Dimming	Auto Brightness Adjusting by Built-in Light Sensor



* Software Remote Control



Accessories

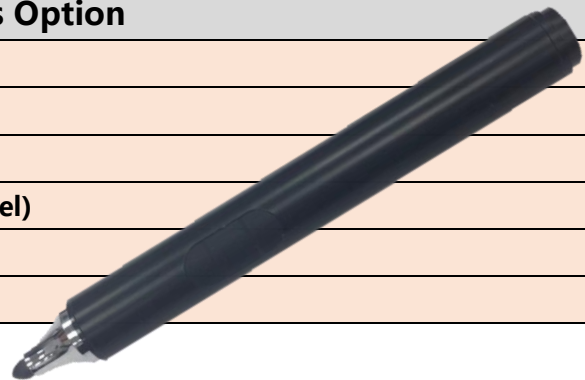
Item	Description	Quantity
HDMI Cable	HDMI Male to Male, 1.8 Meter	1
Power cord	*Country Specific	1
USB Cable	A type, Male to Male, 1.5 Meter *(only for touch monitor)	1

Touch Specifications

Touch Technology	Projected Capacitive	Transparency	≥87%
Allowed Touch Points	10 points	Accuracy	99.00%
Interface	USB	Thickness of Cover Lens	4.0±0.05mm
Hardness of Cover Lens	7H		

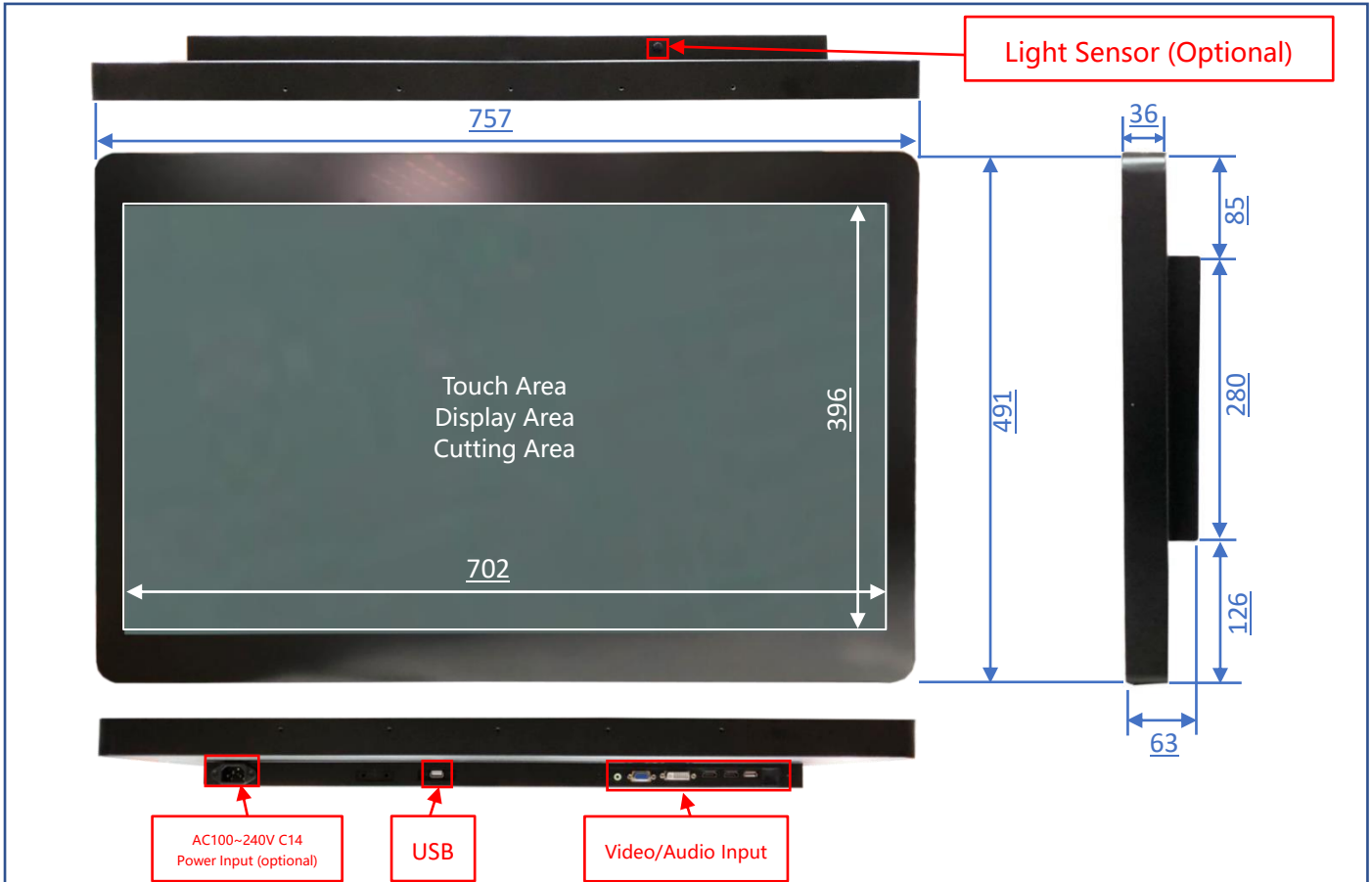


Active Stylus Option	
Technology	Active Capacitive Coupled
Working Frequencies	90~250 KHZ
Pressure Level	256~1024 Levels
Side Buttons	2 Side Buttons (Eraser, Barrel)
Active Tip Force	5~25g
Max. Tip Force	400g

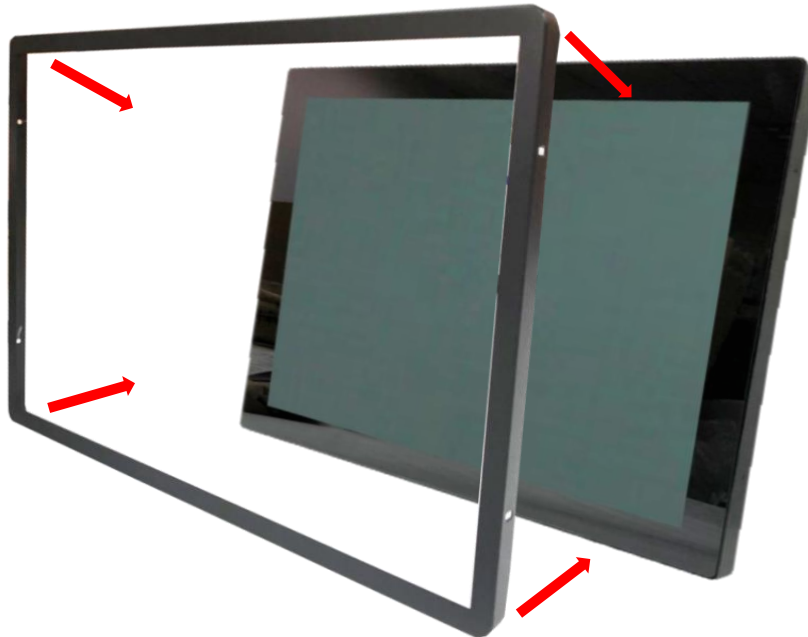


Physical Specifications

Dimension (Max)	757x491x63(±1)mm	Net Weight	≦ 16.5 KG
VESA Mounting	200x200 mm	Gross Weight	≦ 20.9 KG



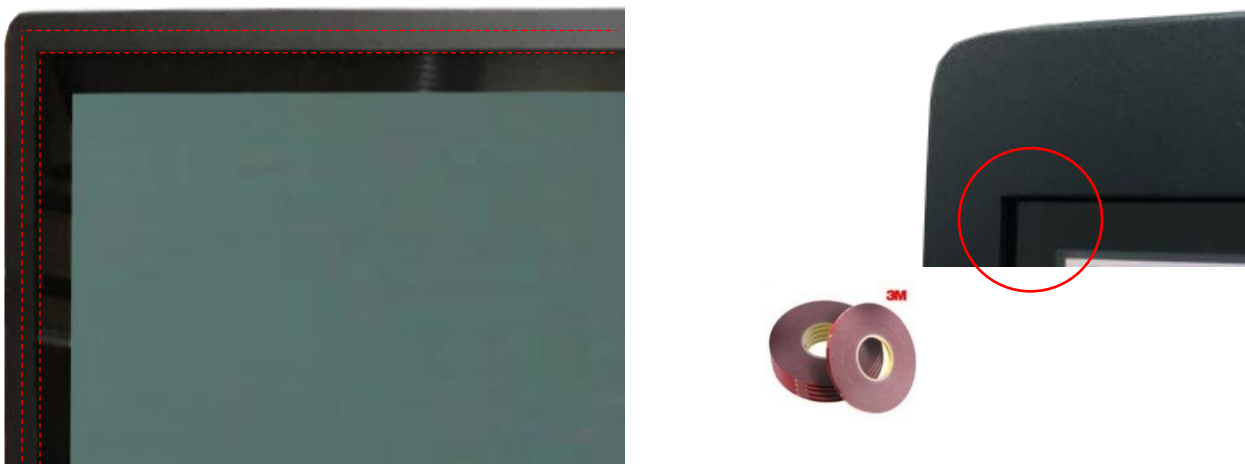
Optional Accessories (Front Cover)



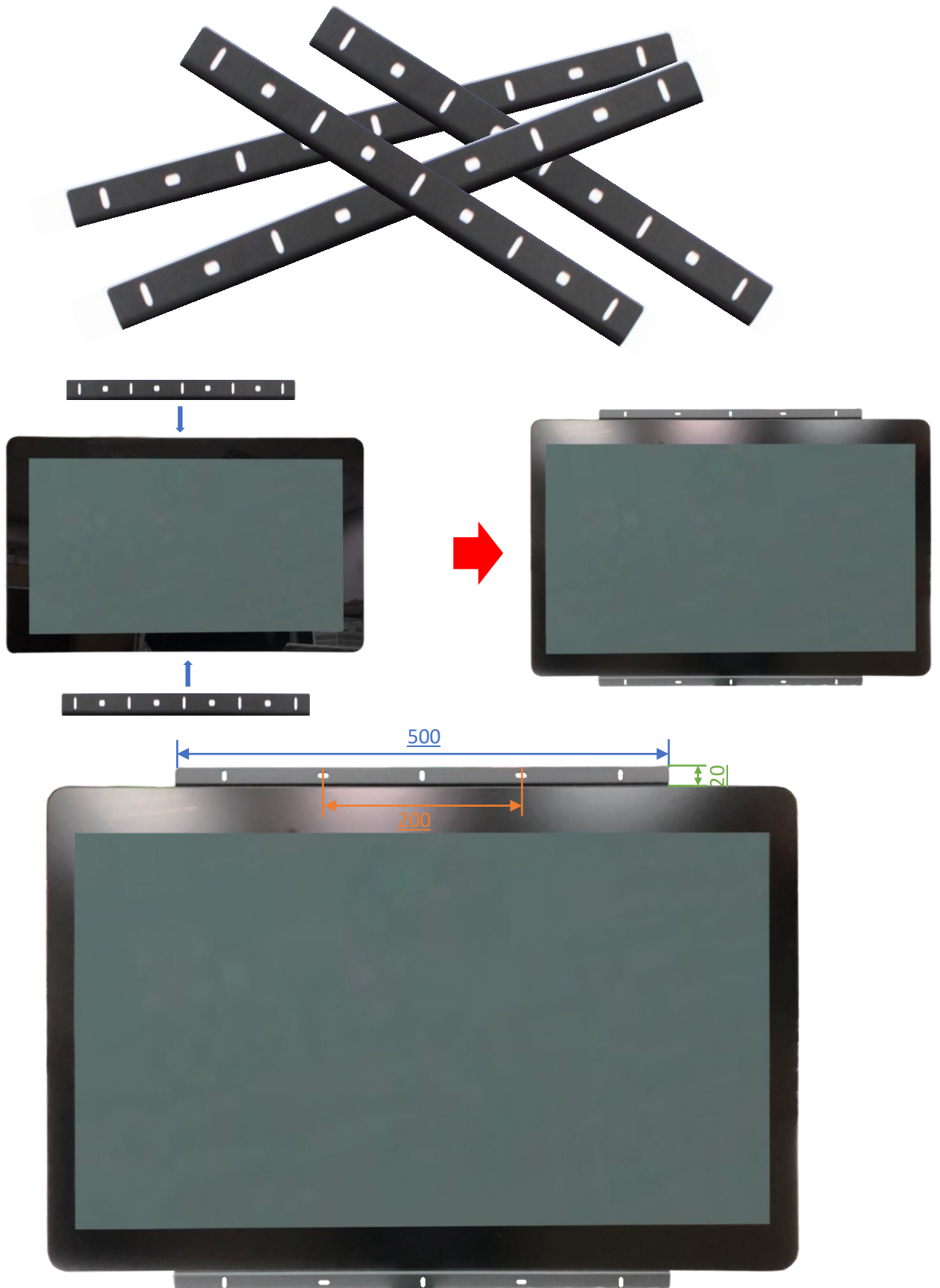
The standard **NTSP320** is true flat surface, with only 1mm metal bezel.
To protect the corners of the touch screen, the **Front Cover** can be added.



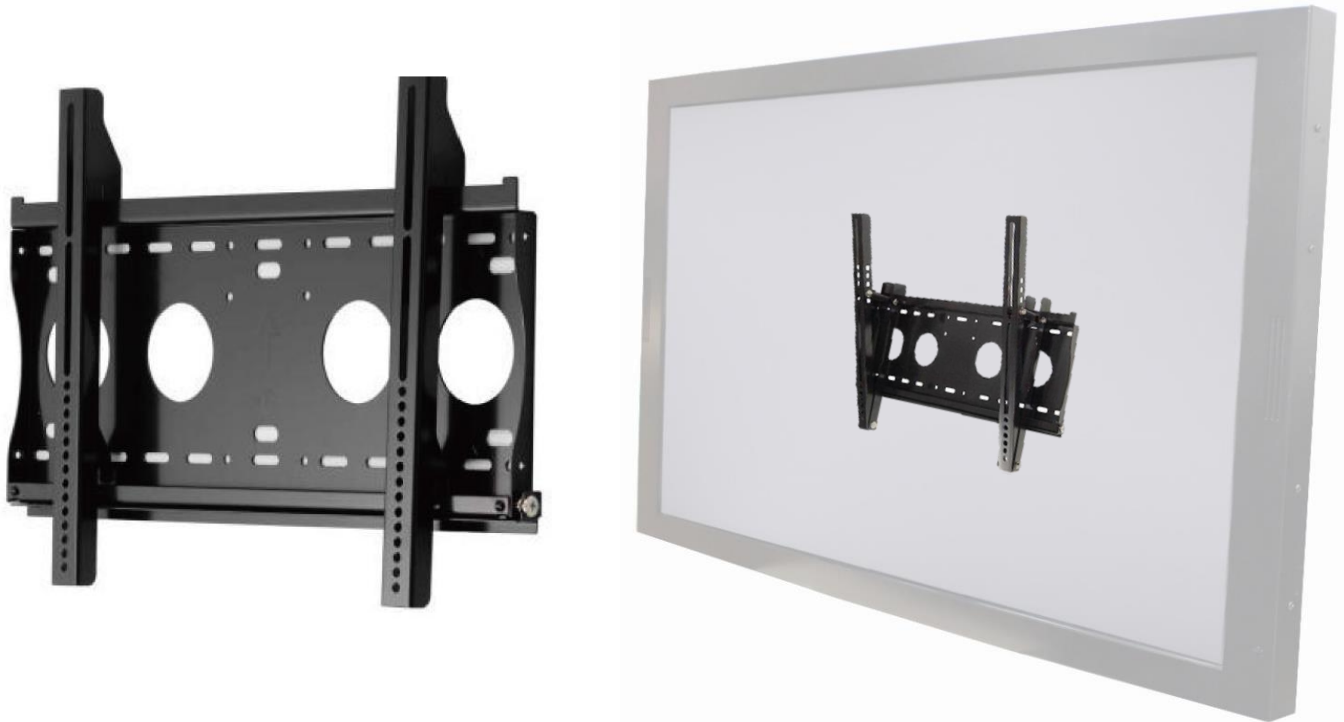
The watertight gasket can be added between the **Front Cover** and **NTSP320**.
It complies IP65 on front.



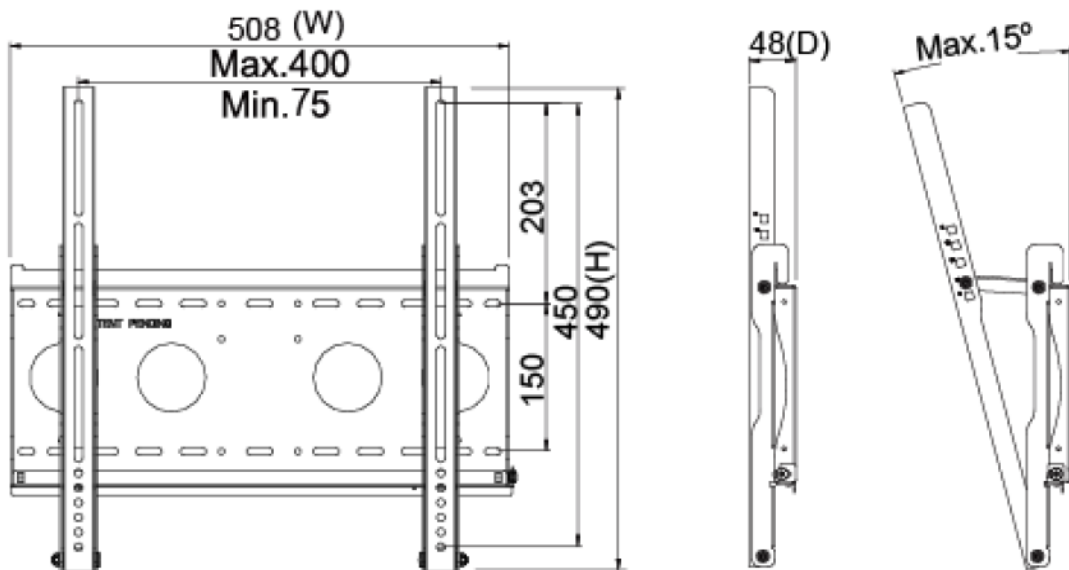
Optional Accessories (Open-frame Brackets)



Optional Accessories (Wall Mount Bracket)



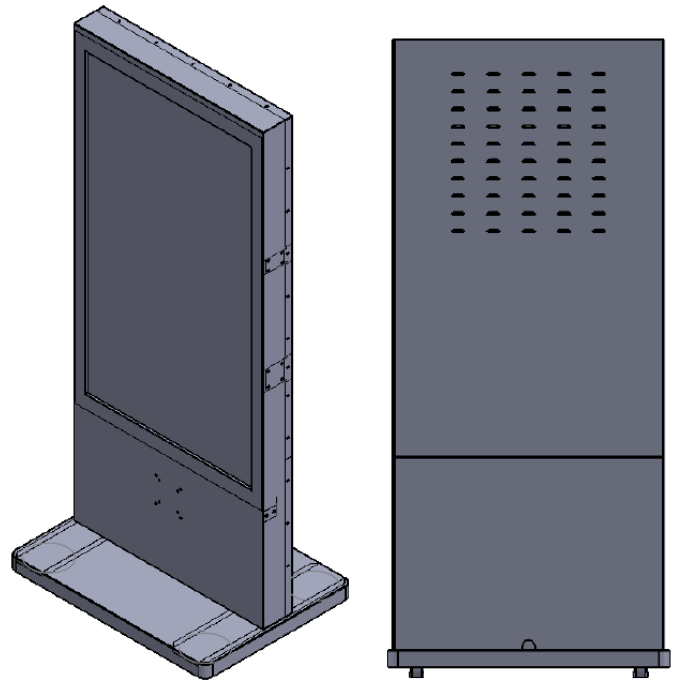
Part No.	WMB-B001		
Mounting Pattern	Max. 400x450 mm	Dimension (WxHxD)	508x490x48 mm
Material	SECC	Net Weight	4.01 KG
Tilt (Hinge)	0°/5°/10°/13°/15°	Support Max. Weight	80 KG
Screw Type	M4/M5/M6/M8	Min. Distance to The Wall	48 mm



Optional Accessories (KIOSK Cabinet)



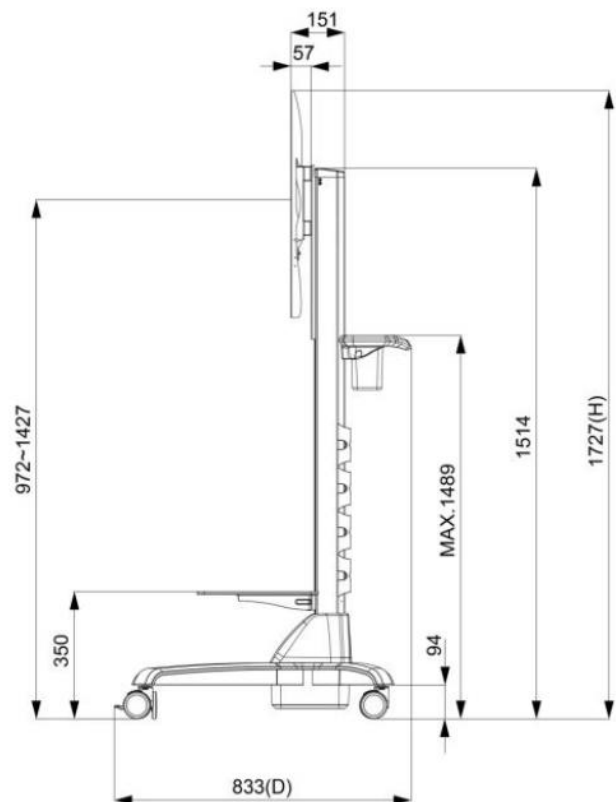
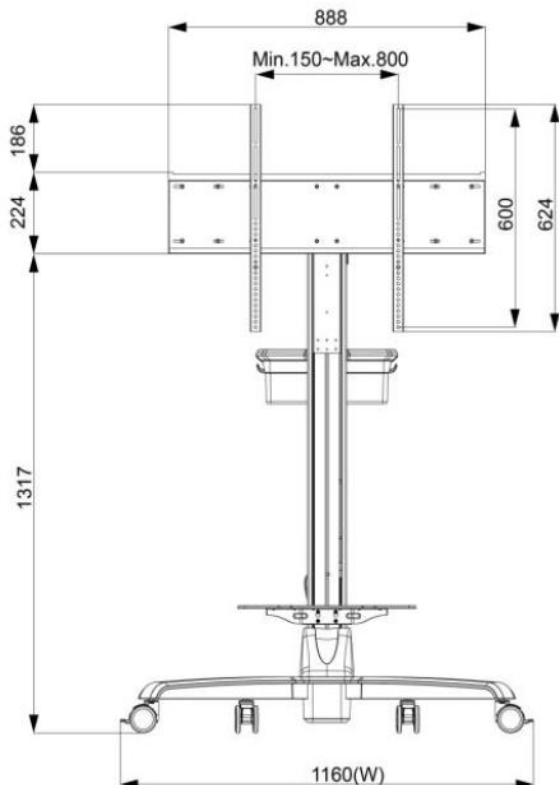
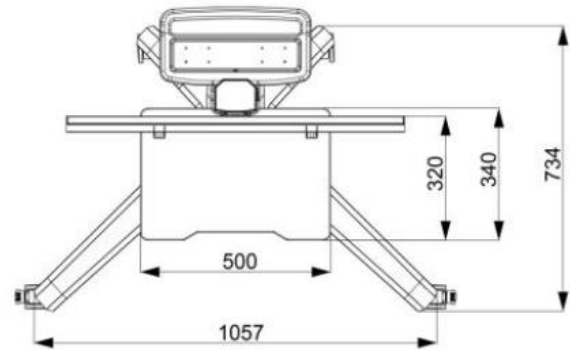
Material	SECC
Caster	4 (front 2 braking)



Optional Accessories (Cart)



Net Weight	32.5 KG
Packaged Dimension	W1545xD383xH392 mm
Screw Type	M4/M5/M6/M8
Material	Aluminum /Plastic/Steel
Max. Mount Pattern	800x600mm
Max. Weight Load	30 KG
Caster	4 (front 2 braking)
Height Adjust Range	500 mm
RoHS/REACH Compliance	Yes



Packing Information



Dimensions of Carton	105x68x24 CM
Net Weight	≤16.5 KG
Gross Weight	≤20.9 KG