



# Product Specifications

<b>Customer</b>	
<b>Model</b>	<b>NTSP320HP-2 V400</b>



Records of Revision			
Vision	Modifying	Old Description	New Description
V2005.1	Preliminary Specifications		

## Features

- ★ 32" , 16:9/1920x1080 (FHD) Resolution
- ★ 1000nits High Brightness
- ★ VA Technology, Wide Viewing Angle (178°/178°)
- ★ True Flat Projected Capacitive Touch Screen
- ★ 7H Hardness Tempered Cover Glass
- ★ 10 points Multi-touch , Supports Active Stylus
- ★ Metal Cabinet with Diverse Combine Options
- ★ Made in Taiwan, 3 Years Warranty
- ★ Designed for Harsh Environments
- ★ Optional High Brightness/Sunlight Readable
- ★ Optional Video Input (VGA/DVI/HDMI/DP)
- ★ Optional Software Remote Control by RS232
- ★ Optional Auto Dimming Function (with Light Sensor)



PSE



BSMI



FCC



CE



RoHS



ISO9001

## Display Specifications

Model Name	NTSP320HP-2XUXFXA-400*	Display Mode	VA, Normally Black
Screen Diagonal	31.5 吋	Response Time	8 msec.
Display Area	698.4x392.9 mm	Backlight Unit	LED (white LED)
Resolution	1920x1080 (FHD)	Viewing Angle (L/R, U/D)	178°/178° (CR <sub>≥</sub> 10)
Contrast Ratio	3000:1	Backlight Lifetime	60000 小時
Display Ratio	16:9	Operating Temp.	0~50°C
Support Color	1073 百萬色	Storage Temp.	-20~60°C
Pixel Pitch	0.3637x0.3637 mm	Surface Treatment	Anti-glare, Hardness 3H
Brightness	1000 nits		

\* X = A~Z, 0~9 (Depends on options)

## Touch Specifications

Touch Technology	Projected Capacitive	Transparency	≥87%
Allowed Touch Points	10 points	Accuracy	99.00%
Interface	USB/RS232 (option)	Thickness of Cover Lens	2.9±0.2mm
Hardness of Cover Lens	7H	IK Ratings	IK07





### General Options

Color of Cabinet		
	Description	Model Name
<b>Standard</b>	<b>Black</b>	<b>NTSP320HP-2<u>B</u>UXFXX-400</b>
Option 1	White	NTSP320HP-2 <u>W</u> UXFXX-400
Option 2	Sliver	NTSP320HP-2 <u>S</u> UXFXX-400
Options	Other Color	NTSP320HP-2 <u>X</u> UXFXX-400

\* X = A~Z, 0~9 (Depends on Color)

Material of Cabinet		
	Description	Model Name
<b>Standard</b>	<b>Galvanized steel (SECC)</b>	<b>NTSP320HP-2XU<u>S</u>FXX-400</b>
Option 1	Stainless Steel	NTSP320HP-2XU <u>L</u> FXX-400
Option 2	Aluminum	NTSP320HP-2XU <u>A</u> FXX-400

Video Input		
	Connectors	Model Name
<b>Standard</b>	<b>VGA+HDMI+DP</b>	<b>NTSP320XX-XXXXX<u>8</u>A-400</b>
Option	VGA+DVI+HDMIx2	NTSP320XX-XXXXX <u>A</u> A-400

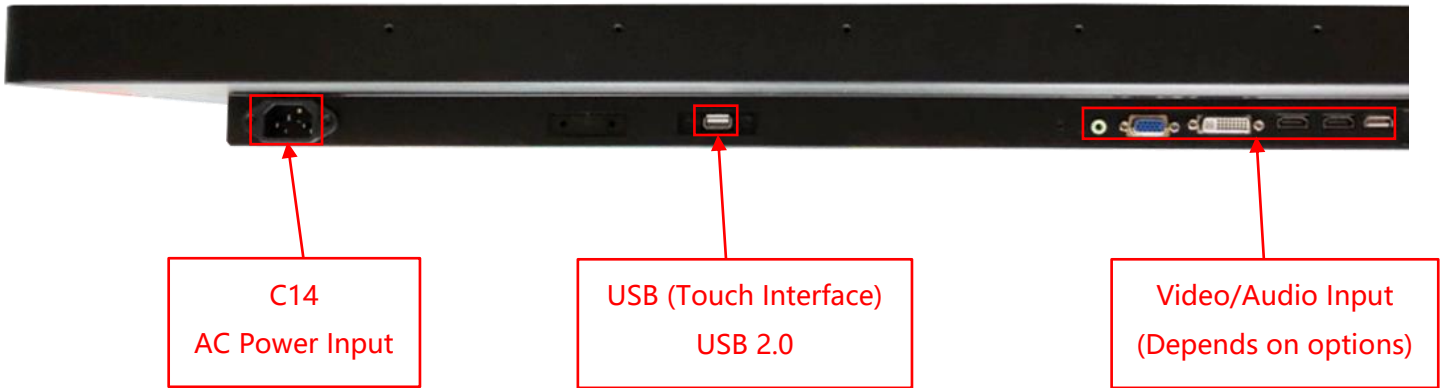
### Accessories

Item	Description	Quantity
HDMI Cable	HDMI Male to Male, 1.8 Meter	1
Power cord	*Country Specific	1
USB Cable	A type, Male to Male, 1.5 Meter *(only for touch monitor)	1

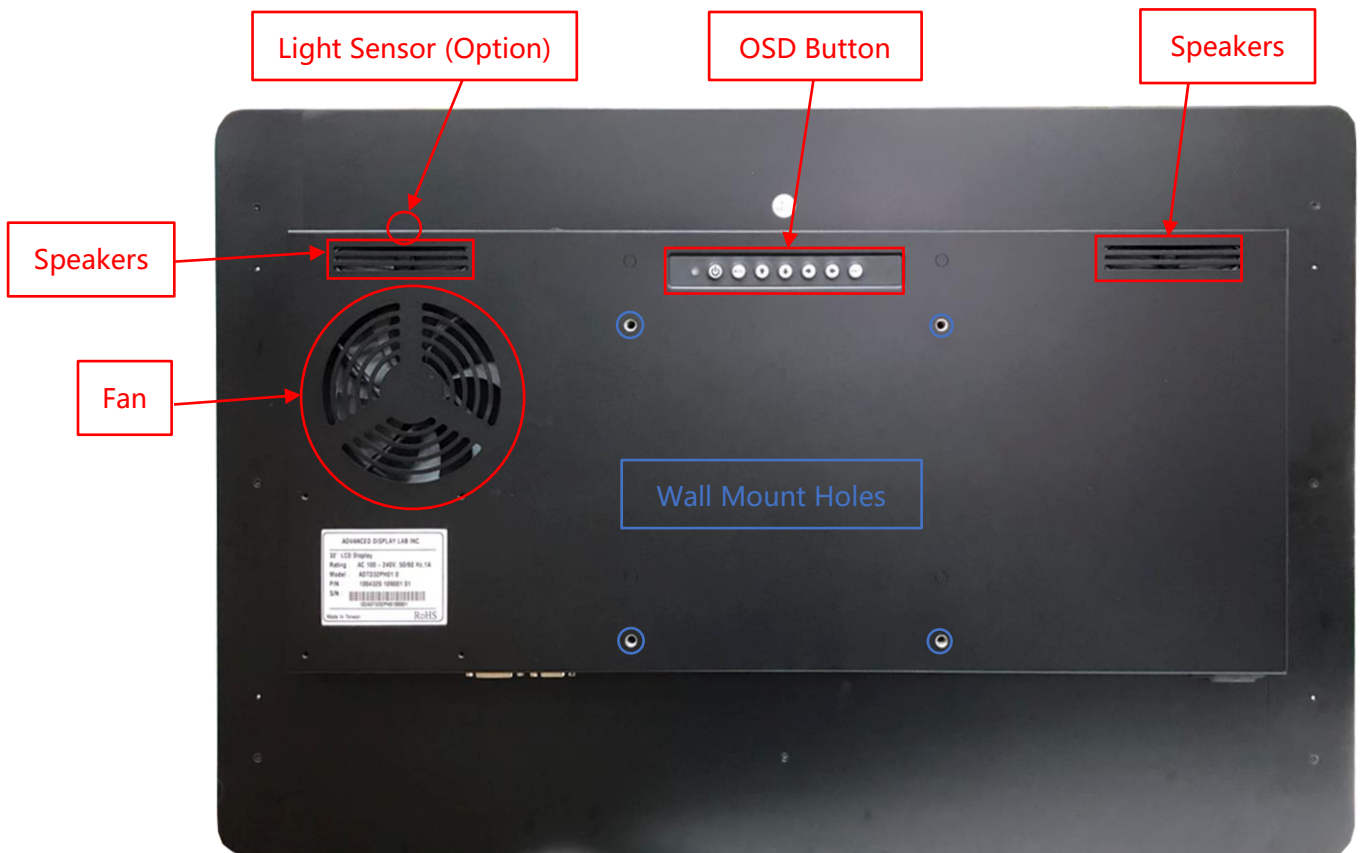
### Supported OS

Windows	Win7, Win8, Win10 ↑
Linux	Kernel 2.6.24 ↑
Android	3.0 ↑
Mac	10.5.x ↑ (Intel CPU)

## Input /Output System

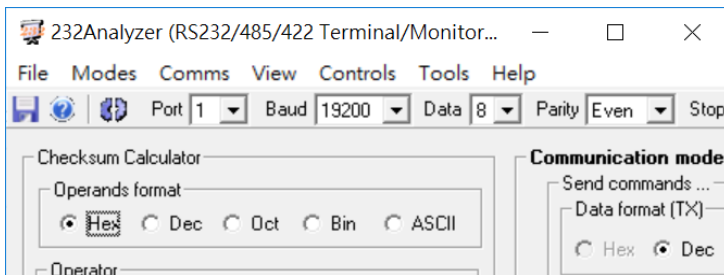


	Description	Connector
Audio Input	Stereo	TRS ConnectorΦ3.5mm
Speakers	10W x2	
Power Input	100~240VAC	C14 AC Female Socket

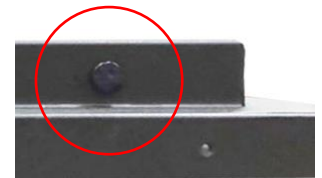


### Others Options

OSD Control		
	Item	Description
<b>Standard</b>	<b>Button</b>	<b>Rear Physical Button</b>
Option 1	Software Remote Control	Software Remote Control by RS232/Serial Port
Option 2	Auto Dimming	Auto Brightness Adjusting by Built-in Light Sensor



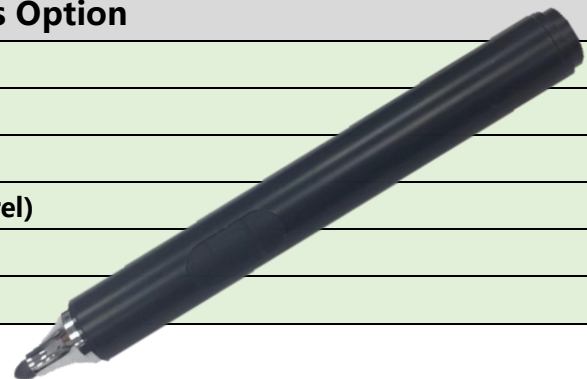
\* Software Remote Control



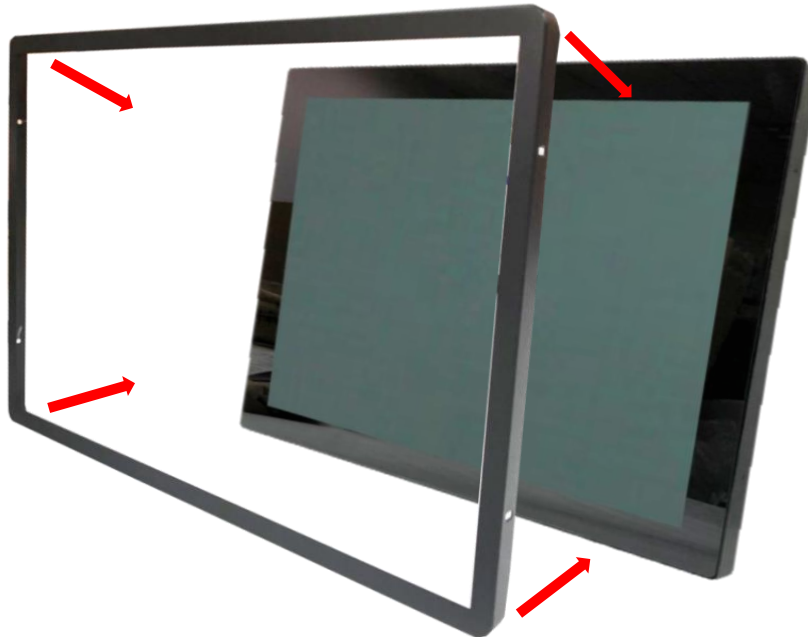
Light Sensor



Active Stylus Option	
Technology	Active Capacitive Coupled
Working Frequencies	90~250 KHZ
Pressure Level	256~1024 Levels
Side Buttons	2 Side Buttons (Eraser, Barrel)
Active Tip Force	5~25g
Max. Tip Force	400g



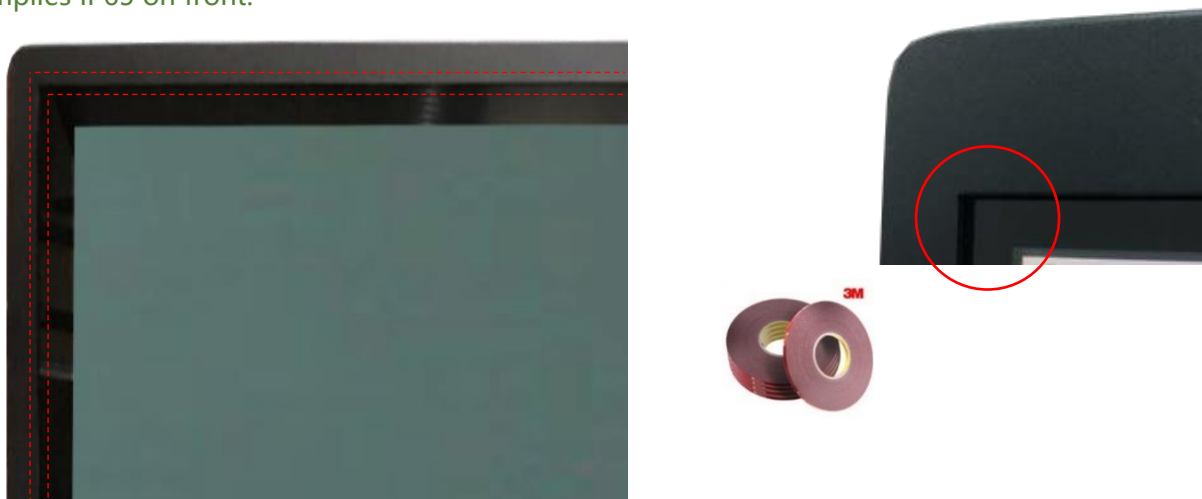
## Optional Accessories (Front Cover)



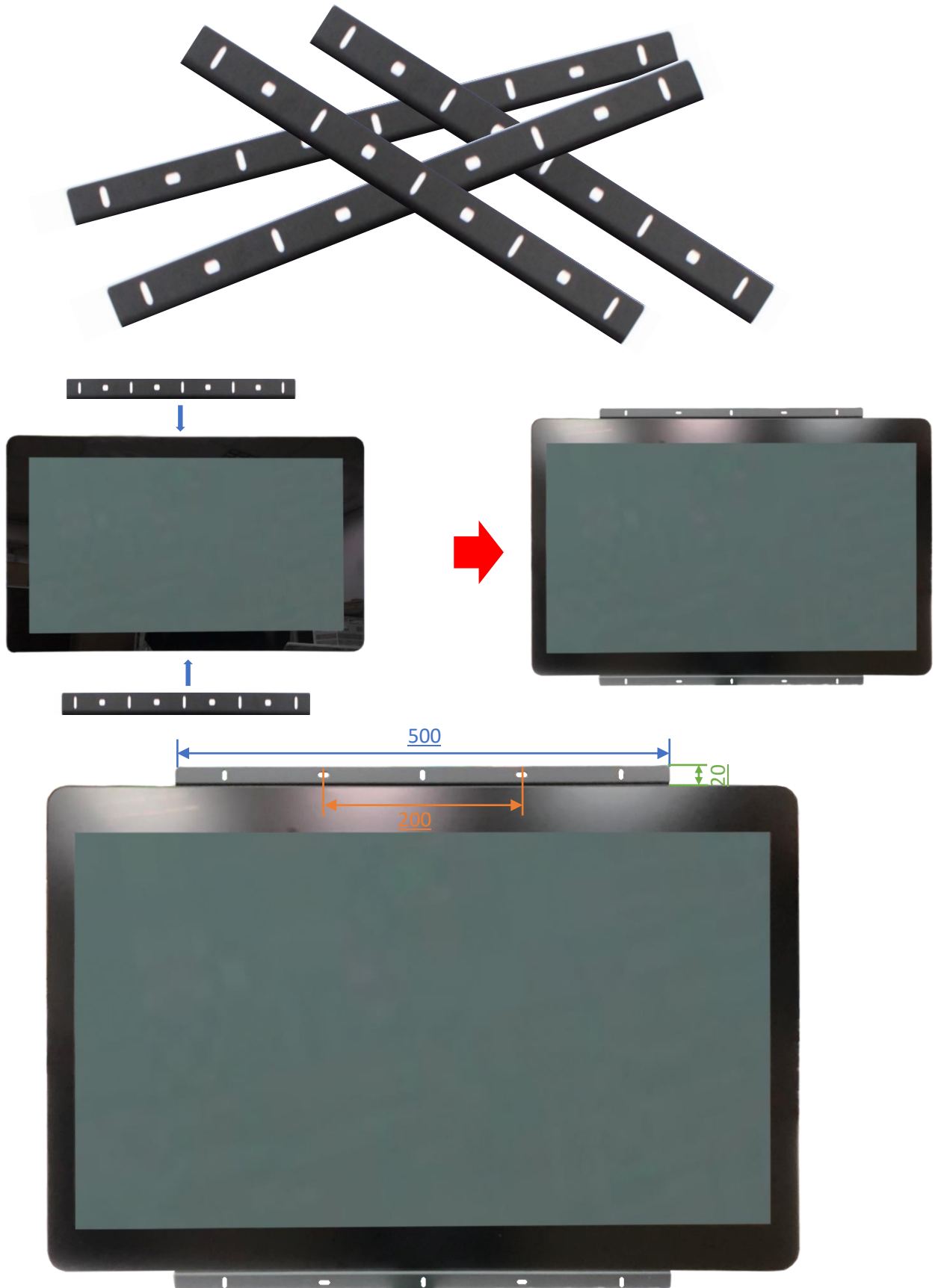
The standard **NTSP320** is true flat surface, with only 1mm metal bezel.  
To protect the corners of the touch screen, the **Front Cover** can be added.



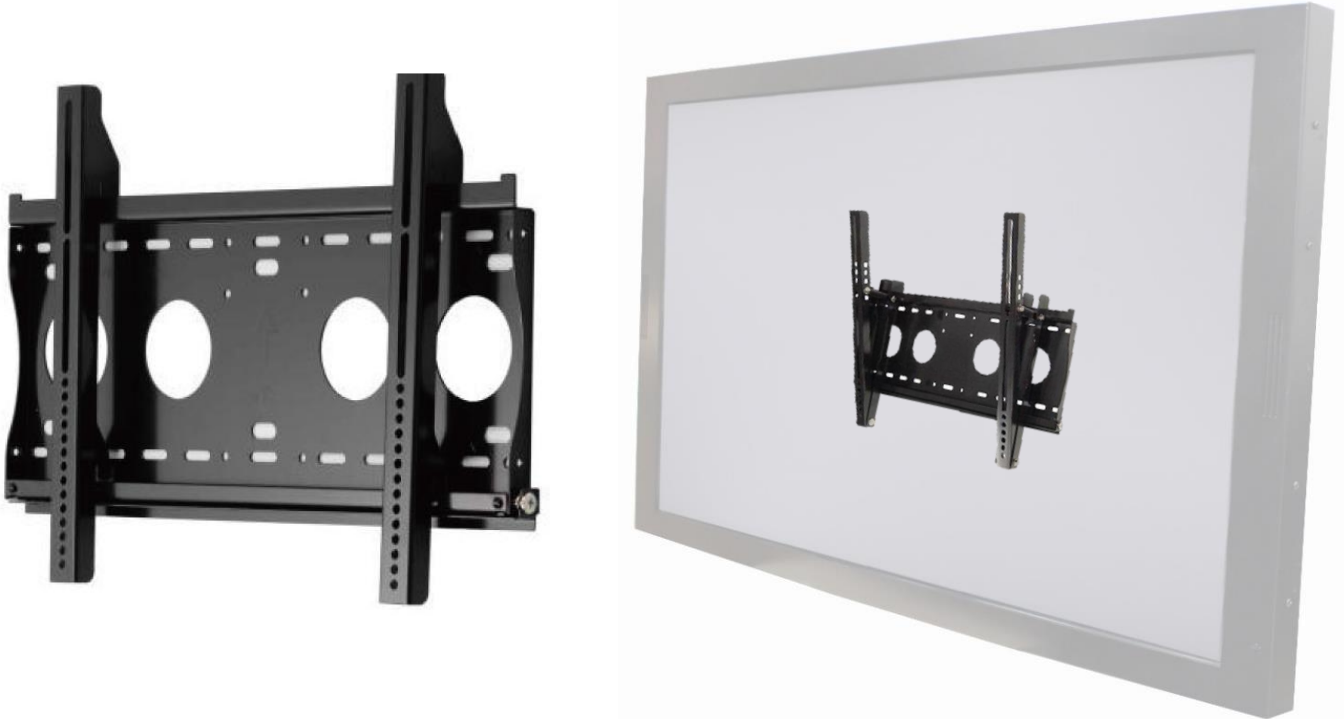
The watertight gasket can be added between the **Front Cover** and **NTSP320**.  
It complies IP65 on front.



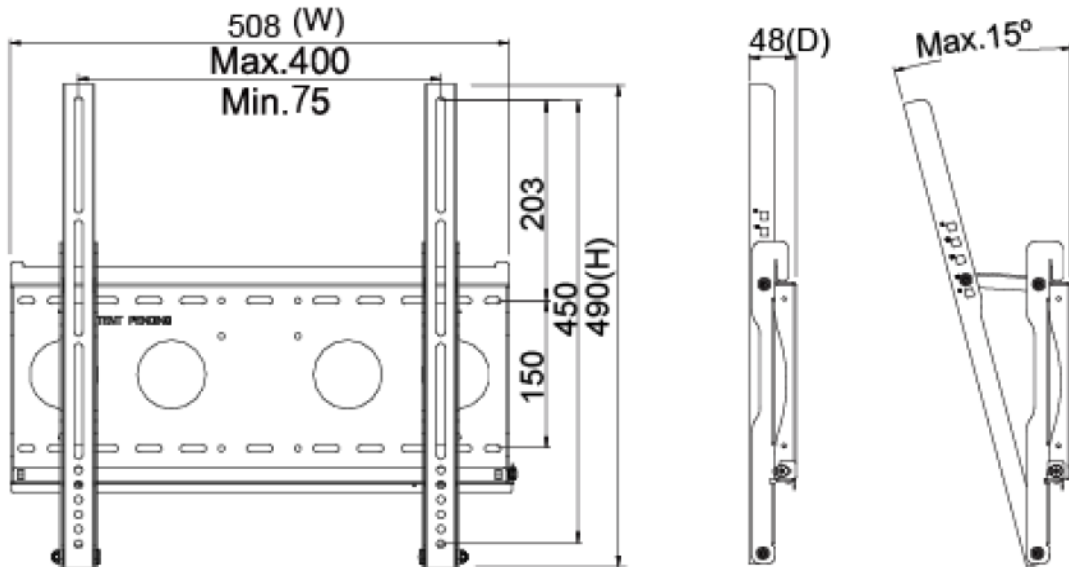
### Optional Accessories (Open-frame Brackets)



### Optional Accessories (Wall Mount Bracket)



Part No.	<b>WMB-B001</b>	Mounting Pattern	<b>Max. 400x450 mm</b>
Material	<b>SECC</b>	Material	<b>SECC</b>
Tile (Hinge)	<b>0°/5°/10°/13°/15°</b>	Tile (Hinge)	<b>0°/5°/10°/13°/15°</b>
Screw Type	<b>M4/M5/M6/M8</b>	Screw Type	<b>M4/M5/M6/M8</b>



**Optional Accessories (KIOSK Cabinet)**



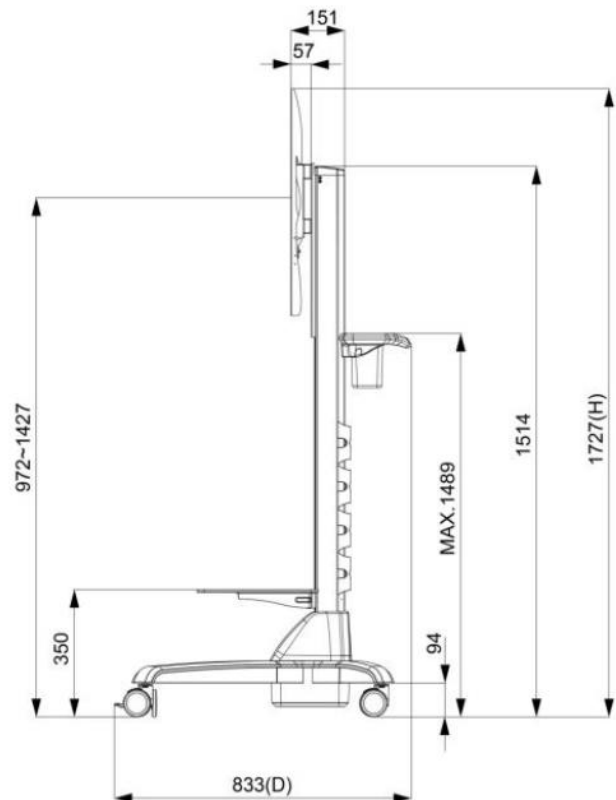
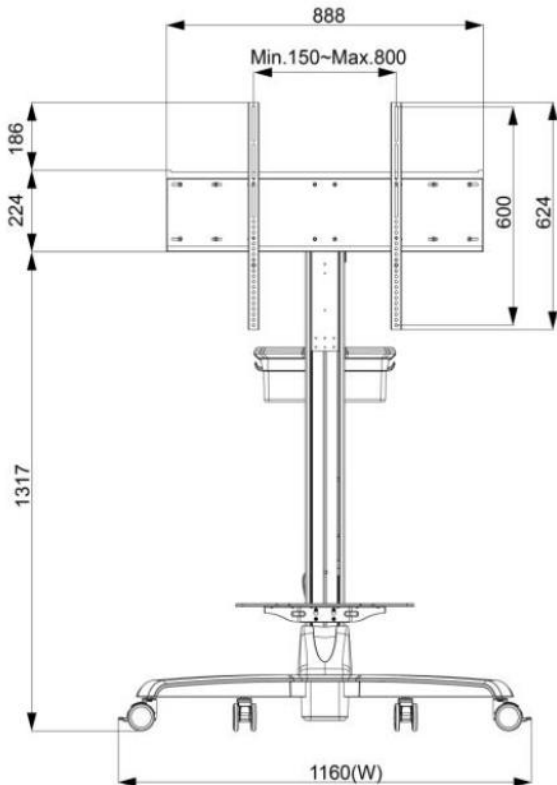
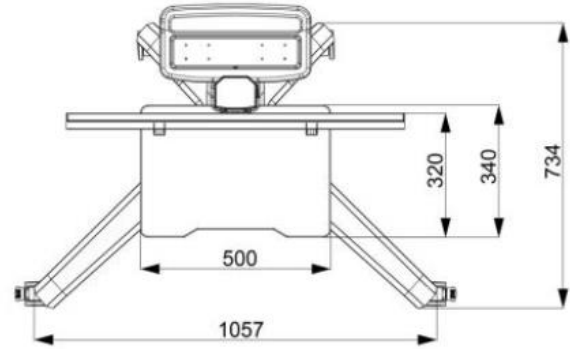
Material	<b>SECC</b>
Caster	<b>4 (front 2 braking)</b>
Ingress Protection	<b>Front IP65</b>
Power Socket	<b>None (Wire Hole Reserved)</b>



## Optional Accessories (Cart)



Net Weight	<b>28.4 KG</b>
Power System	<b>AC 200~240V 50/60Hz</b>
User Interface	<b>Button (up/down)</b>
Packaged Dimension	<b>W1160xD833xH1727 mm</b>
Screw Type	<b>M4/M5/M6/M8</b>
Material	<b>Aluminum /Plastic/Steel</b>
Max. Mount Pattern	<b>800x600mm</b>
Max. Weight Load	<b>80 KG</b>
Caster	<b>4 (front 2 braking)</b>





包裝材積資料



紙箱尺寸	<b>105x68x24 CM</b>
淨重	<b>≤16.5 KG</b>
毛重	<b>≤20.9 KG</b>